



US00D351077S

United States Patent [19]
Bressler

[11] **Patent Number: Des. 351,077**
[45] **Date of Patent: ** Oct. 4, 1994**

[54] **NESTED TABLE**

[76] **Inventor: Kenneth P. Bressler, 1207 Momarte La., St. Louis, Mo. 63146**

[**] **Term: 14 Years**

[21] **Appl. No.: 8,111**

[22] **Filed: May 7, 1993**

[52] **U.S. Cl. D6/480; D6/488**

[58] **Field of Search D6/480-489, D6/495, 498, 499, 451, 429; 108/59, 91, 92, 153, 156, 161; 248/188, 188.1, 188.7, 188.8**

[56] **References Cited**

U.S. PATENT DOCUMENTS

- D. 214,672 7/1969 Ricca 6/487 X
- D. 233,391 10/1974 Hazelwood D6/487
- D. 338,118 8/1993 Nourse D6/480
- 4,433,788 2/1984 Erlam et al. 108/153 X

OTHER PUBLICATIONS

- Interiors* -May 1965 p. 120 table at lower left.
- Chromcroft* p. SH1.
- House & Garden* Dec. 1951 cocktail table at top.

Primary Examiner—Nelson C. Holtje

Assistant Examiner—J. E. Seeger

Attorney, Agent, or Firm—Senniger, Powers, Leavitt & Roedel

[57] **CLAIM**

The ornamental design for a nested table, as shown and described.

DESCRIPTION

FIG. 1 is a front elevation view of a nested table, showing my new design, the right side, left side and rear elevation being identical thereto;

FIG. 2 is a top plan view thereof;

FIG. 3 is a bottom plan view thereof;

FIG. 4 is a perspective view showing an inner table removed from the nested table design;

FIG. 5 is a persepective view showing both the inner and intermediate tables removed from the nested table design;

FIG. 6 is a front elevation of a fixed nested table showing an alternative embodiment of my new design, the right side, left side, and rear elevation being identical thereto;

FIG. 7 is a top plan view thereof; and,

FIG. 8 is a bottom plan view thereof.

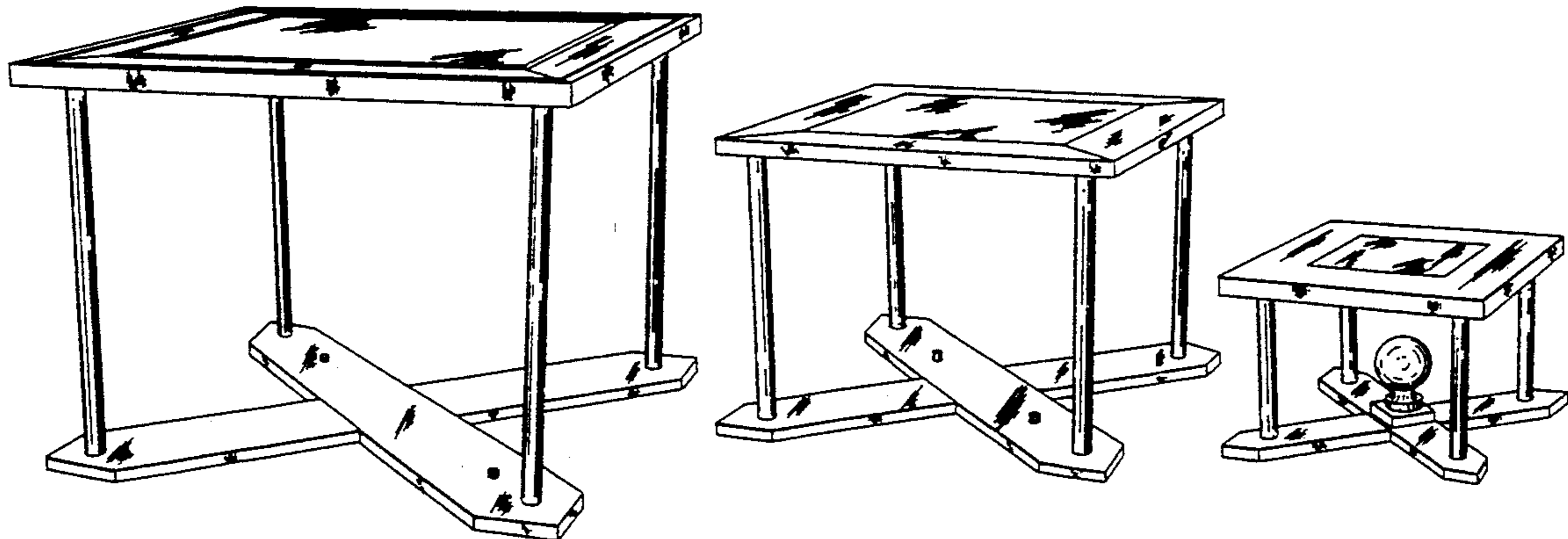


FIG. 1

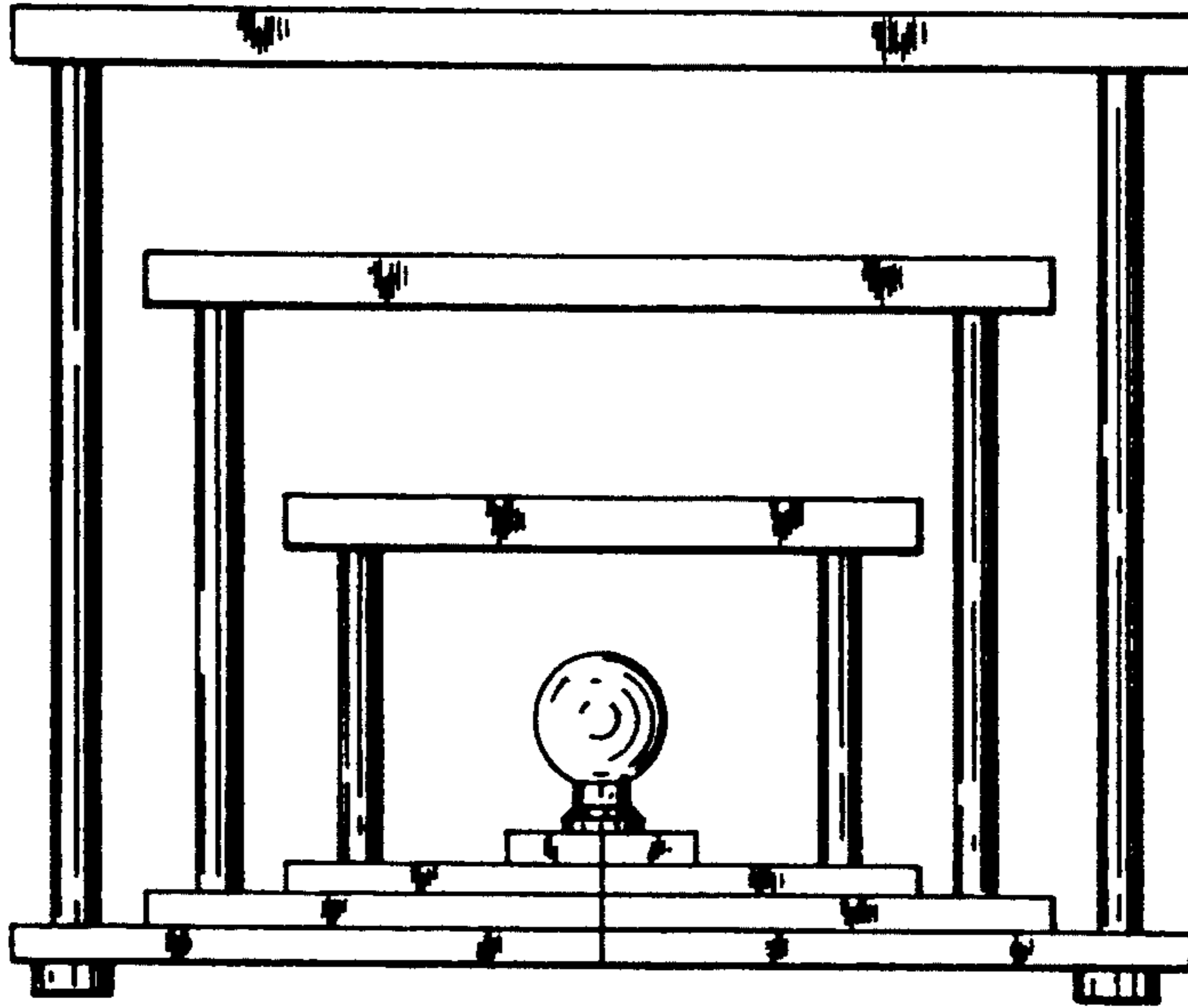


FIG. 2

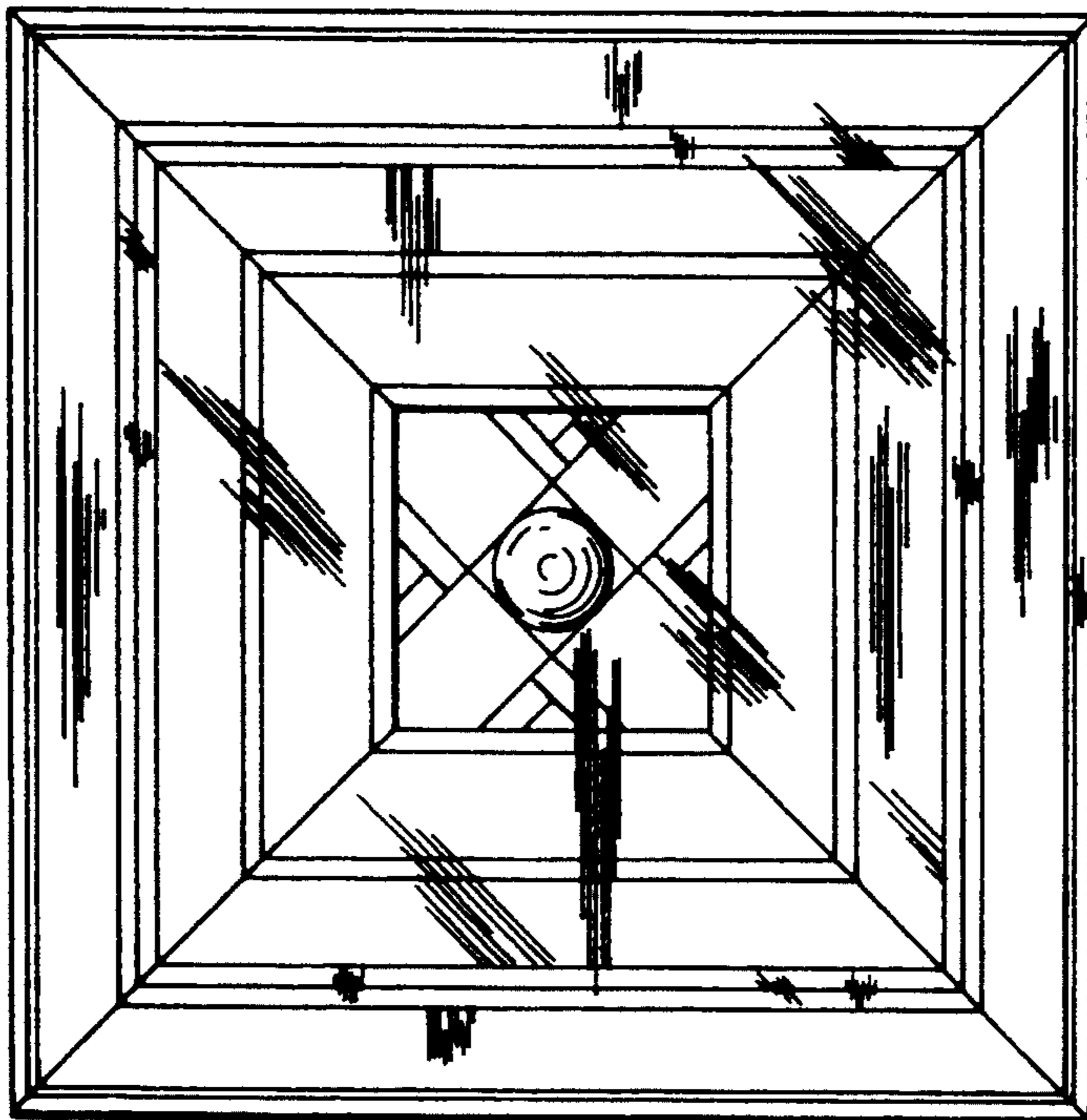
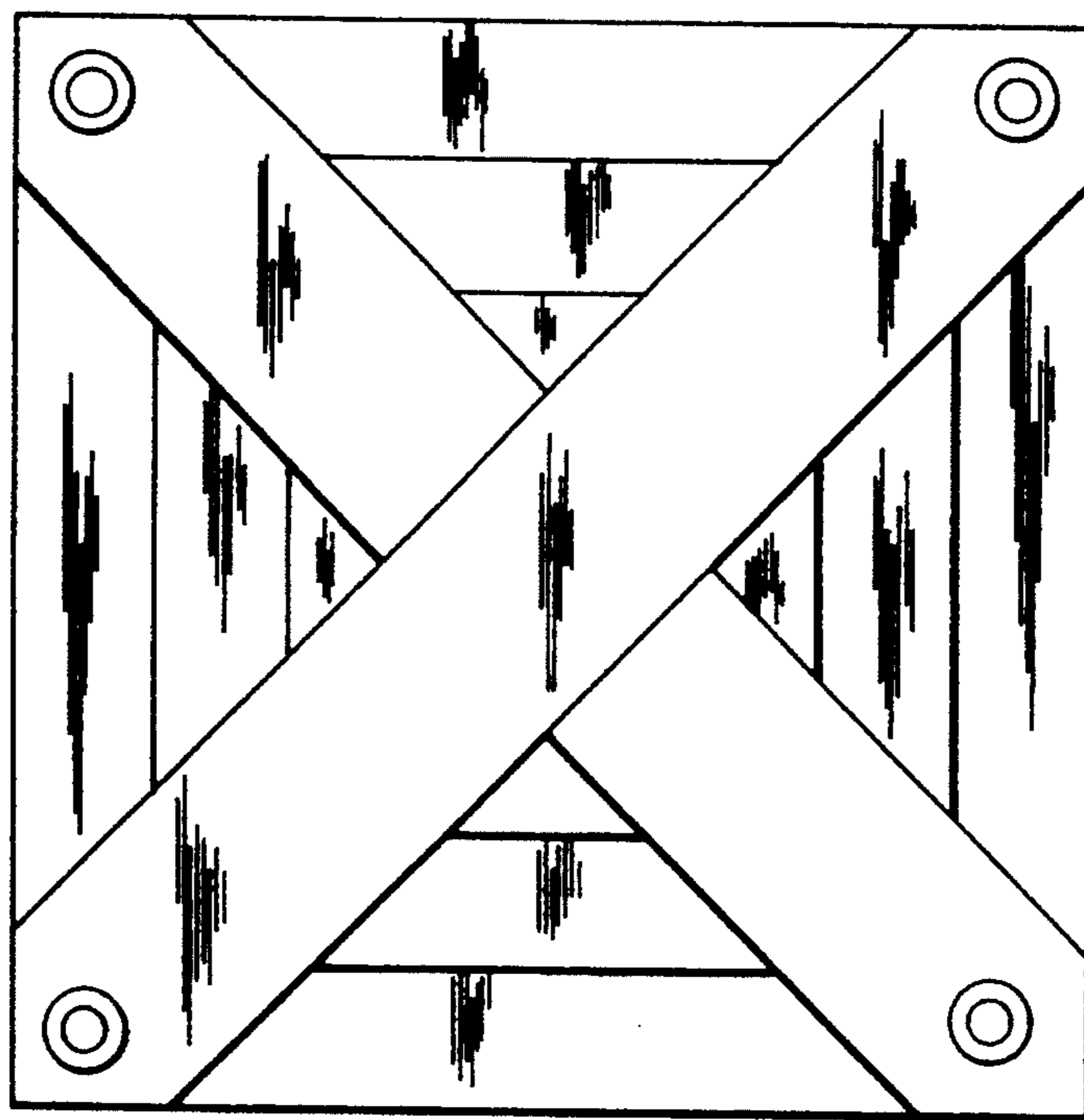


FIG. 3



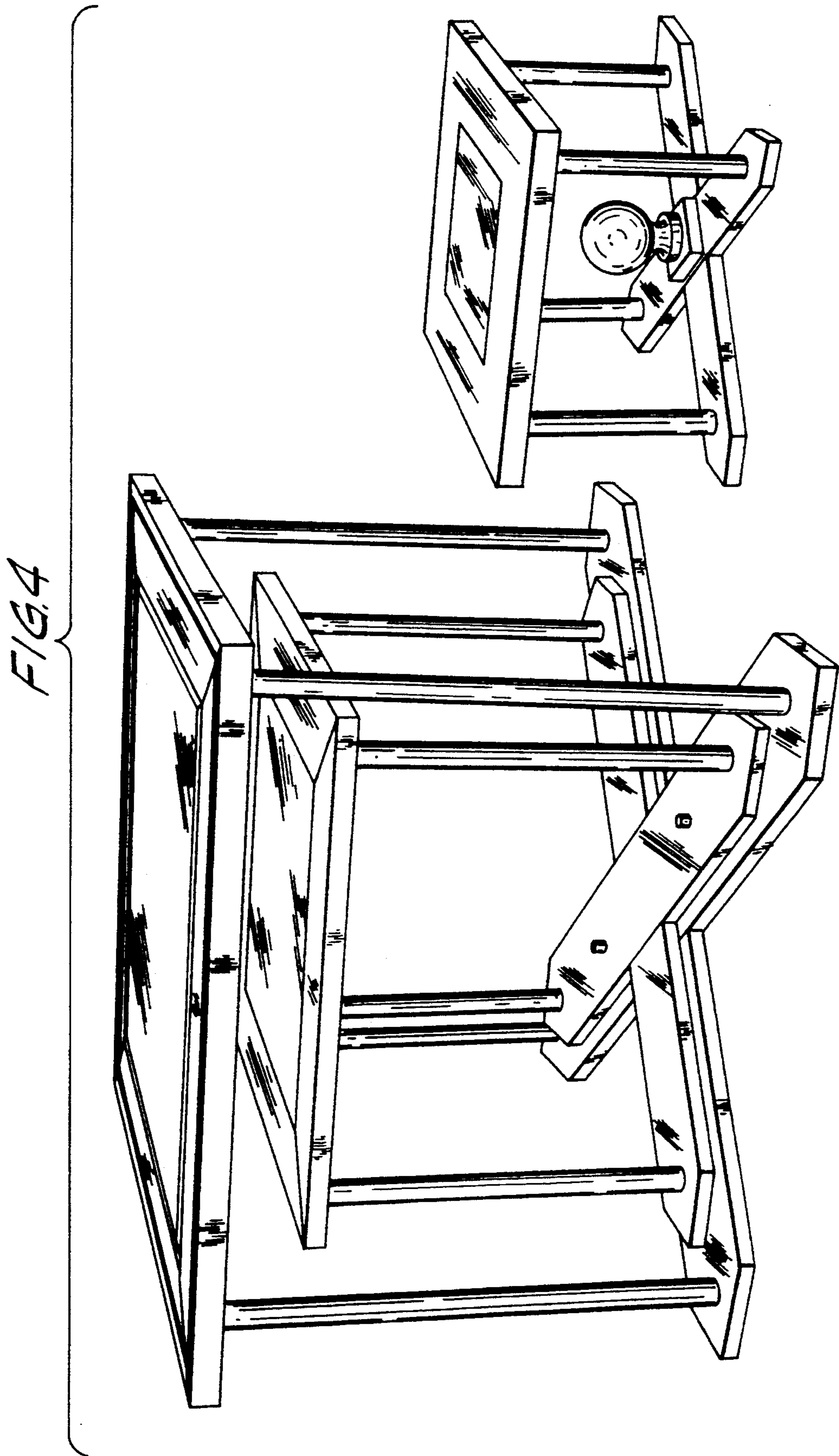


FIG. 5

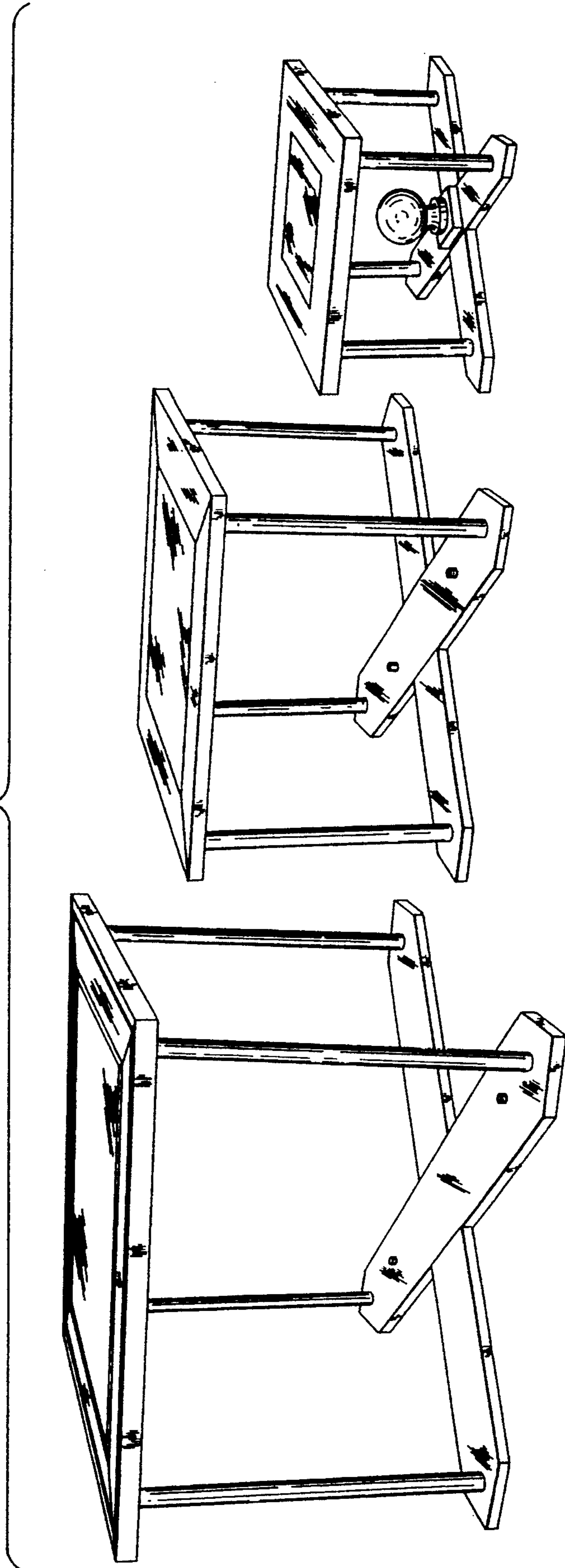


FIG. 6

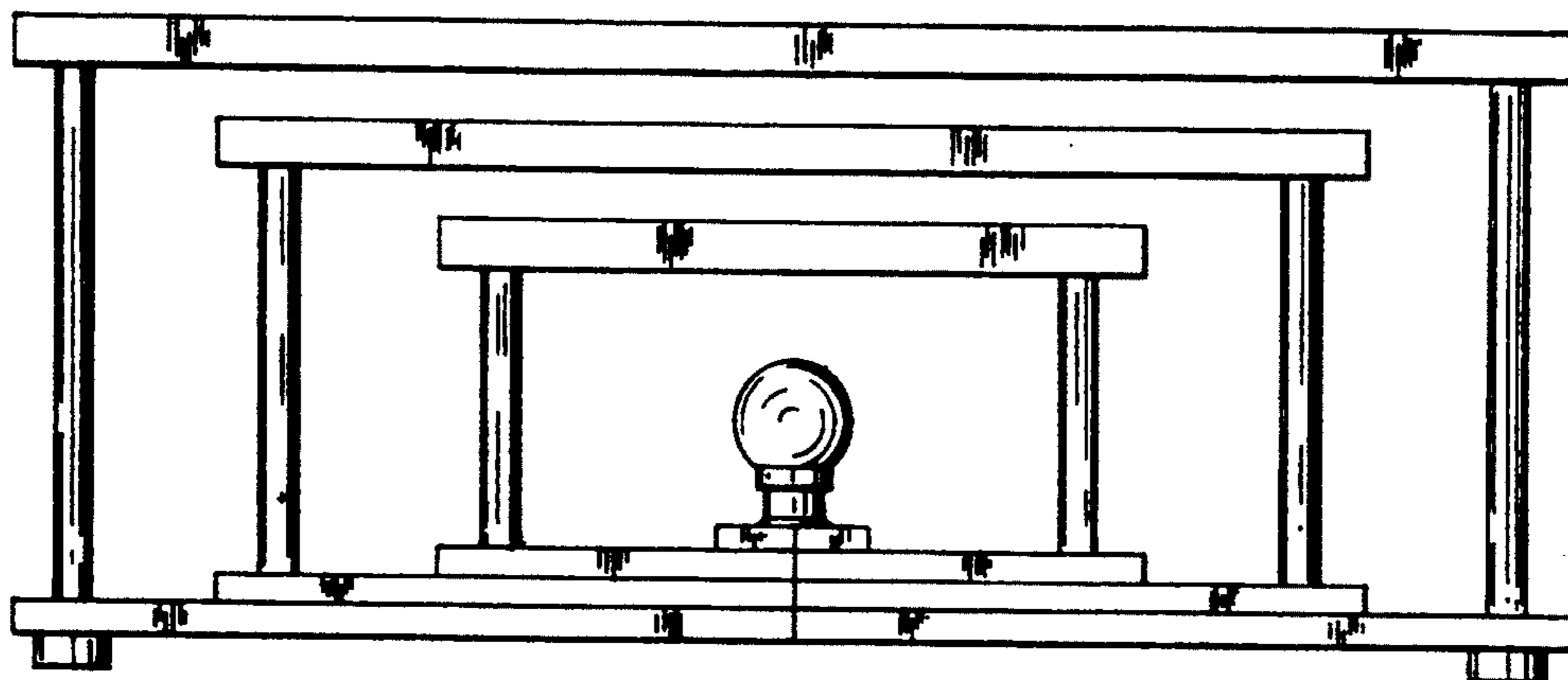


FIG. 7

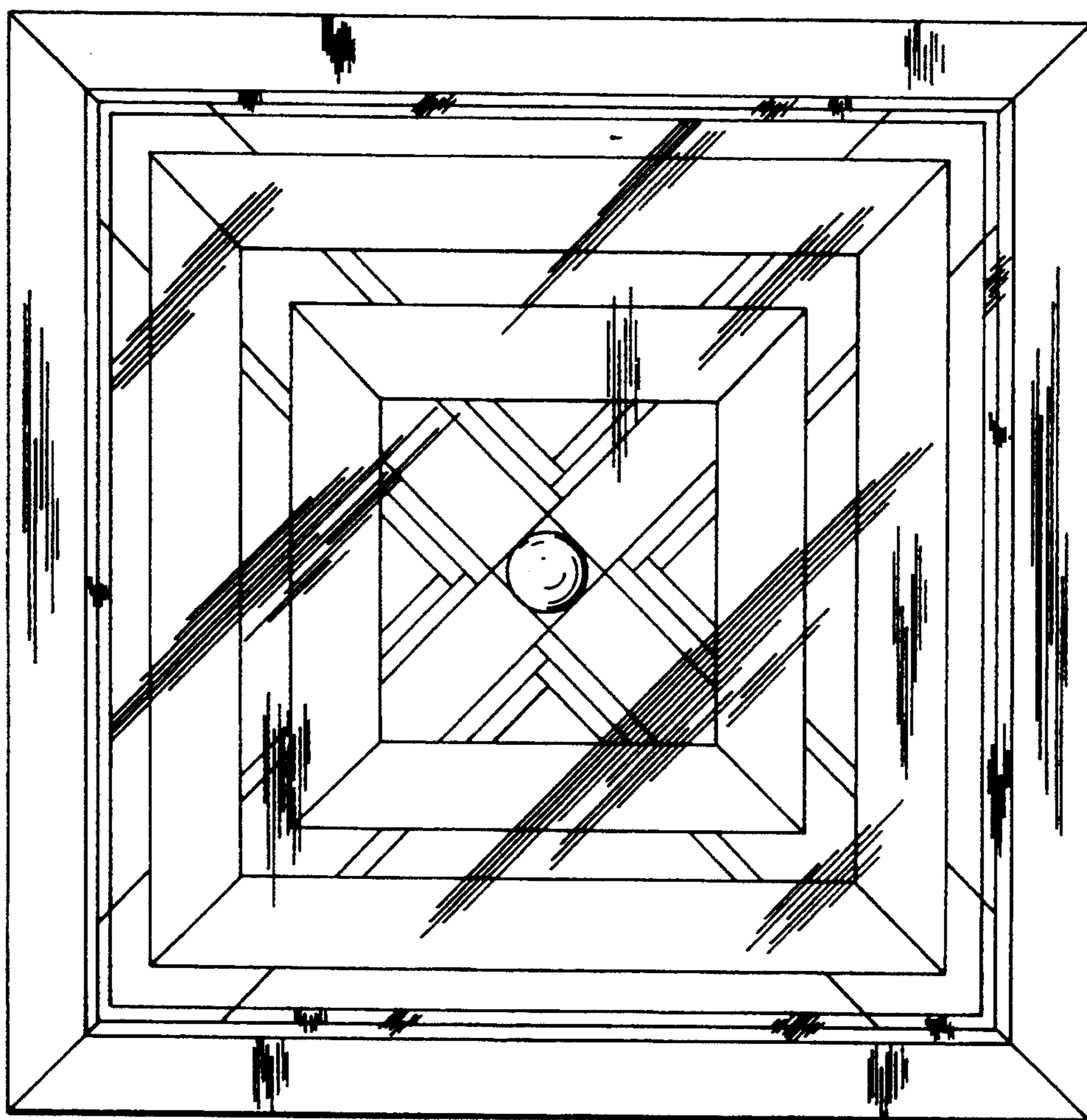


FIG. 8

