



US00D351076S

# United States Patent [19]

[11] Patent Number: **Des. 351,076**

Eliadis et al.

[45] Date of Patent: **\*\* Oct. 4, 1994**

[54] **MERCHANDISE DISPLAY**

[75] Inventors: **Luke Eliadis, Stow; James R. Melton, Huron; John Walters, Westlake, all of Ohio**

[73] Assignee: **American Greetings Corporation, Cleveland, Ohio**

[\*\*] Term: **14 Years**

[21] Appl. No.: **883,711**

[22] Filed: **May 14, 1992**

[52] U.S. Cl. .... **D6/476; D6/467**

[58] Field of Search ..... **D6/397, 449, 475, 476, D6/466-468, 477-479, 553, 590; 211/50, 59.1, 71, 72, 13, 135, 186, 187**

[56] **References Cited**

**U.S. PATENT DOCUMENTS**

D. 279,442	7/1985	Silver	.....	D6/478
D. 321,100	10/1991	Dorrell	.....	D6/476 X
D. 323,766	2/1992	Robbins et al.	.....	D6/553 X
D. 328,538	8/1992	Berger	.....	D6/468
4,585,128	4/1986	Hannecke	.....	211/50 X
4,765,492	8/1988	Howard et al.	.....	D6/449 X
4,951,827	8/1990	Moransais	.....	211/59.1

*Primary Examiner*—Alan P. Douglas

*Assistant Examiner*—Jeffrey Asch

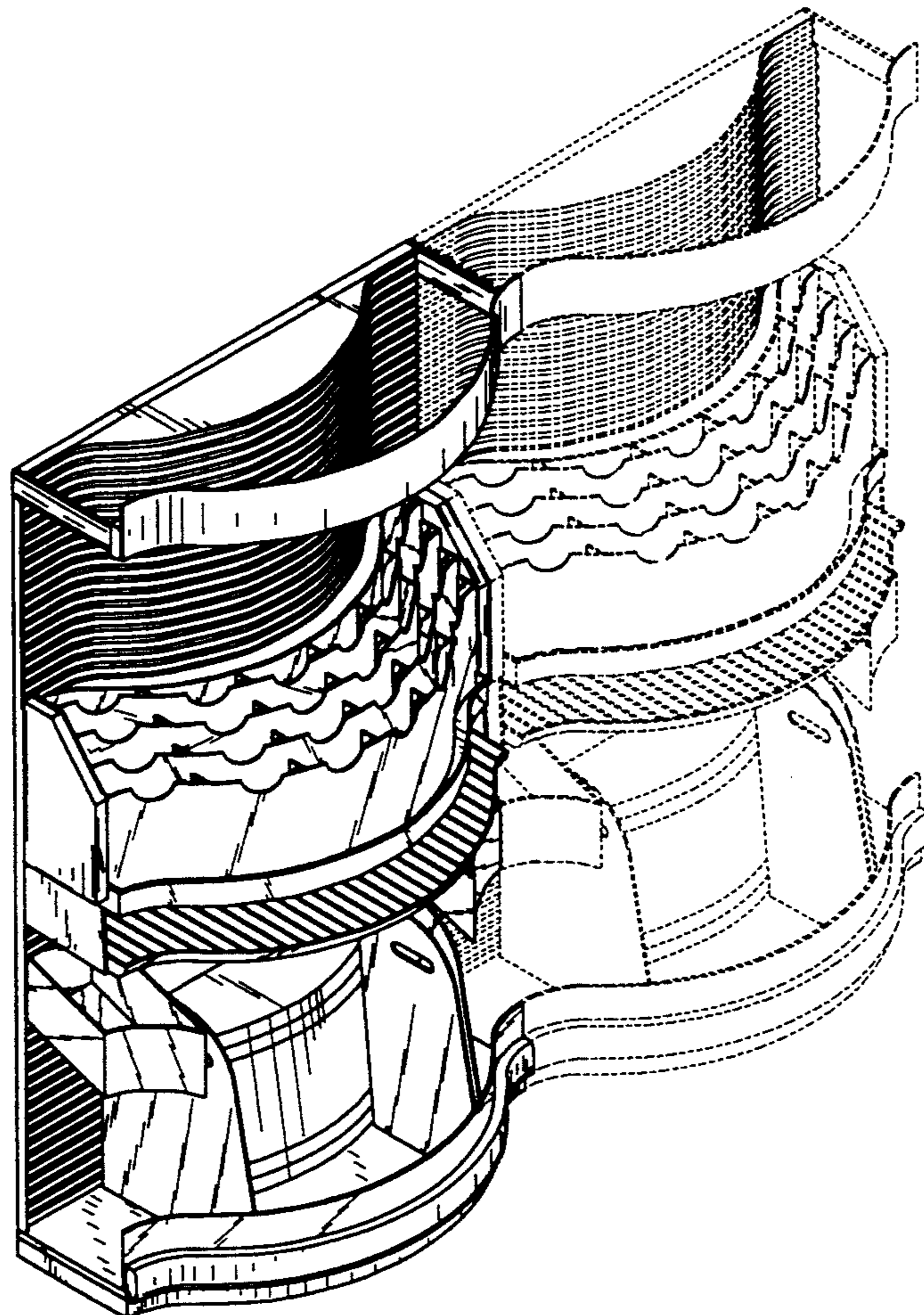
*Attorney, Agent, or Firm*—Calfee, Halter & Griswold

[57] **CLAIM**

The ornamental design for a merchandise display, as shown and described.

**DESCRIPTION**

FIG. 1 is a perspective view of a merchandise display showing our new design, the broken line showing of a second display being for illustrative purposes only; FIG. 2 is an enlarged perspective view of a display unit for the merchandise display; FIG. 3 is a side view of the display unit of FIG. 2; FIG. 4 is a front view of the display unit of FIG. 2; FIG. 5 is a top view of the display unit of FIG. 2; FIG. 6 is a bottom view of the display unit of FIG. 2; FIG. 7 is a back view of the display unit of FIG. 2; FIG. 8 is an enlarged, fragmentary view of the tiered shelves for the display unit of FIG. 2; FIG. 9 is an enlarged fragmentary view of the slat wall bracket for the display unit of FIG. 2; and, FIG. 10 is an enlarged, fragmentary view of the display shelf for the display unit of FIG. 2.





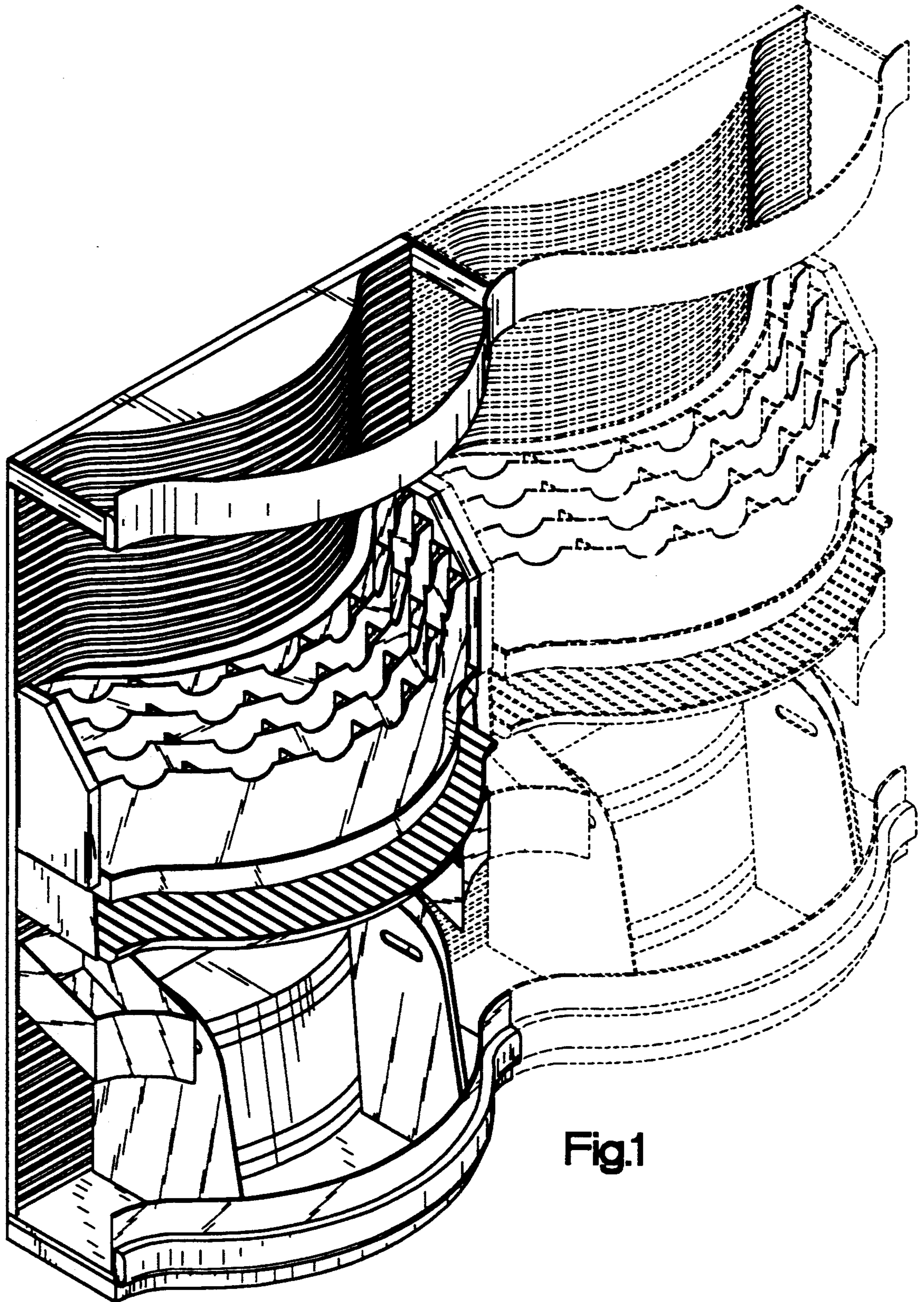


Fig.1

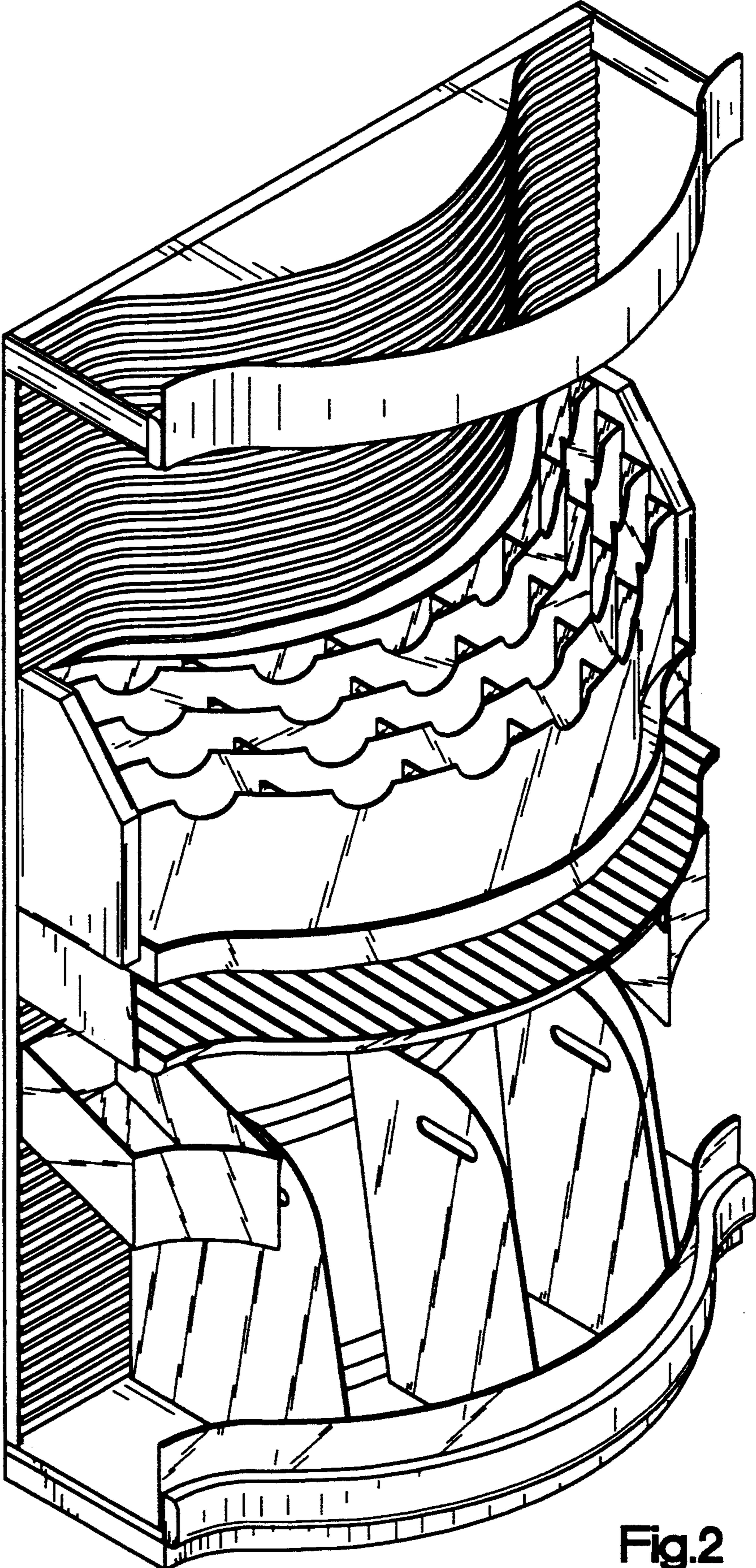


Fig.2



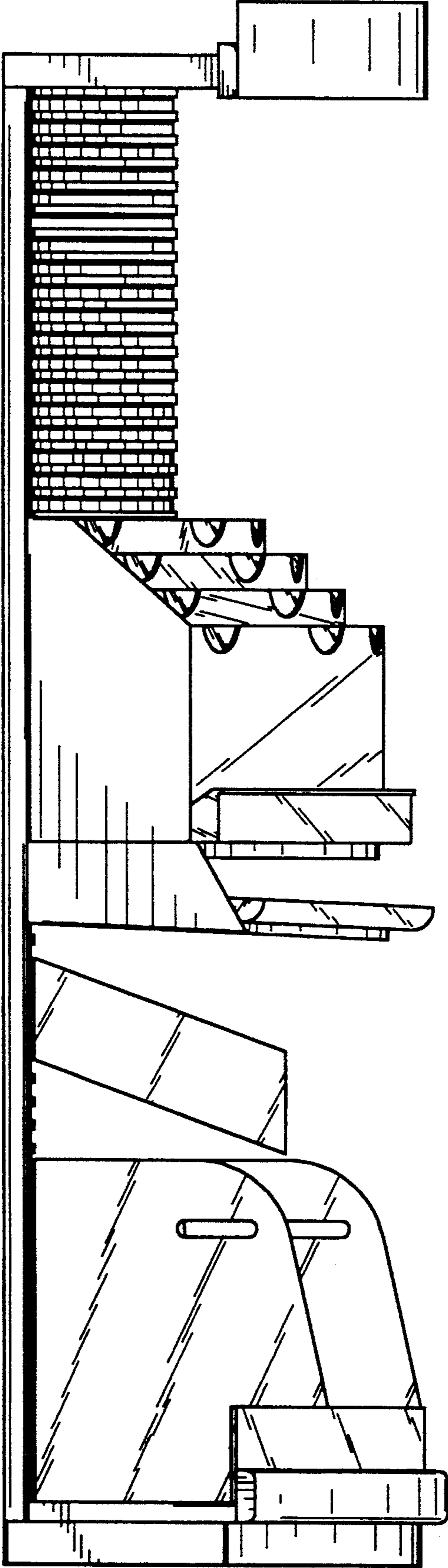


Fig.3

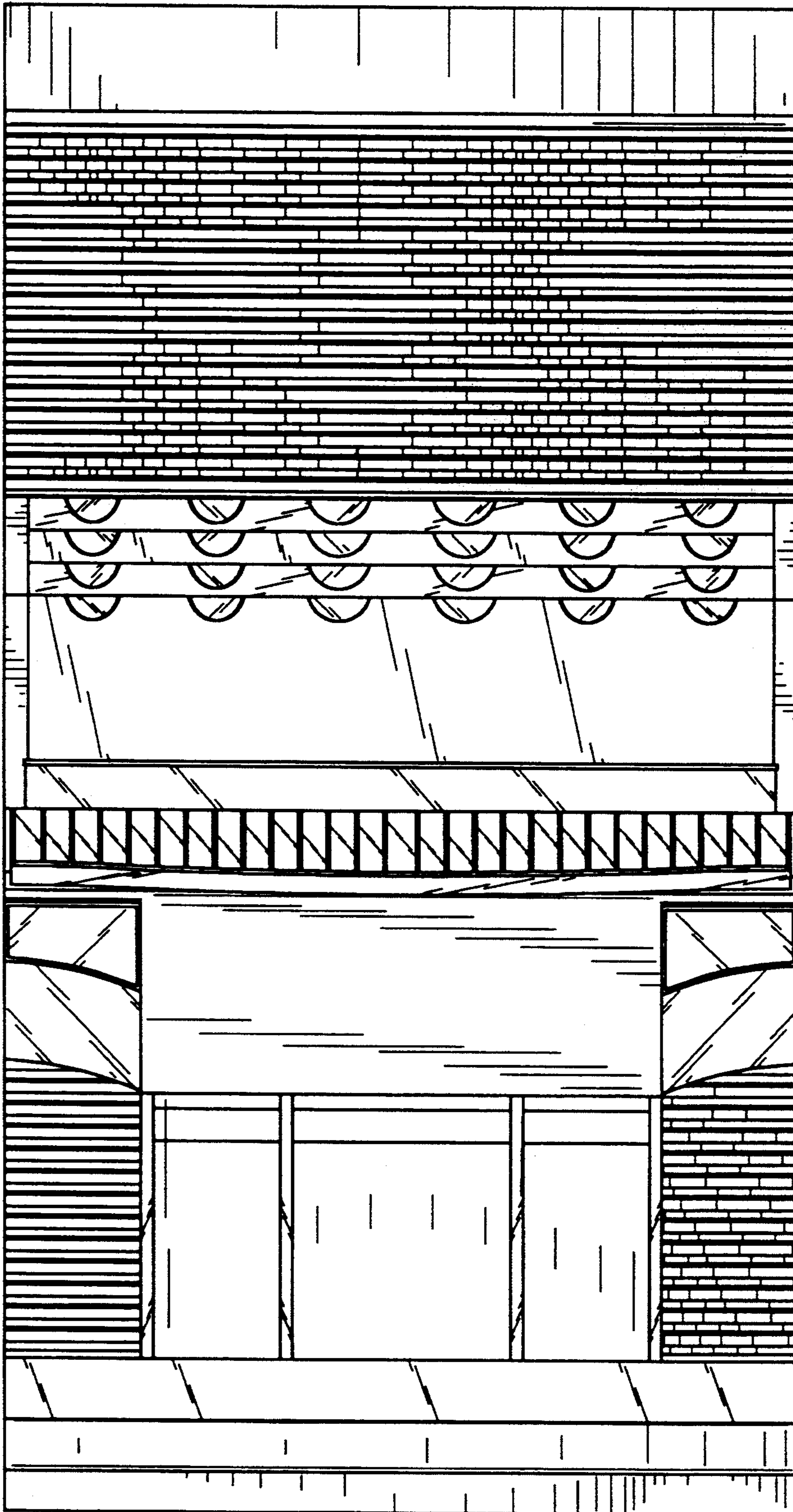


Fig.4

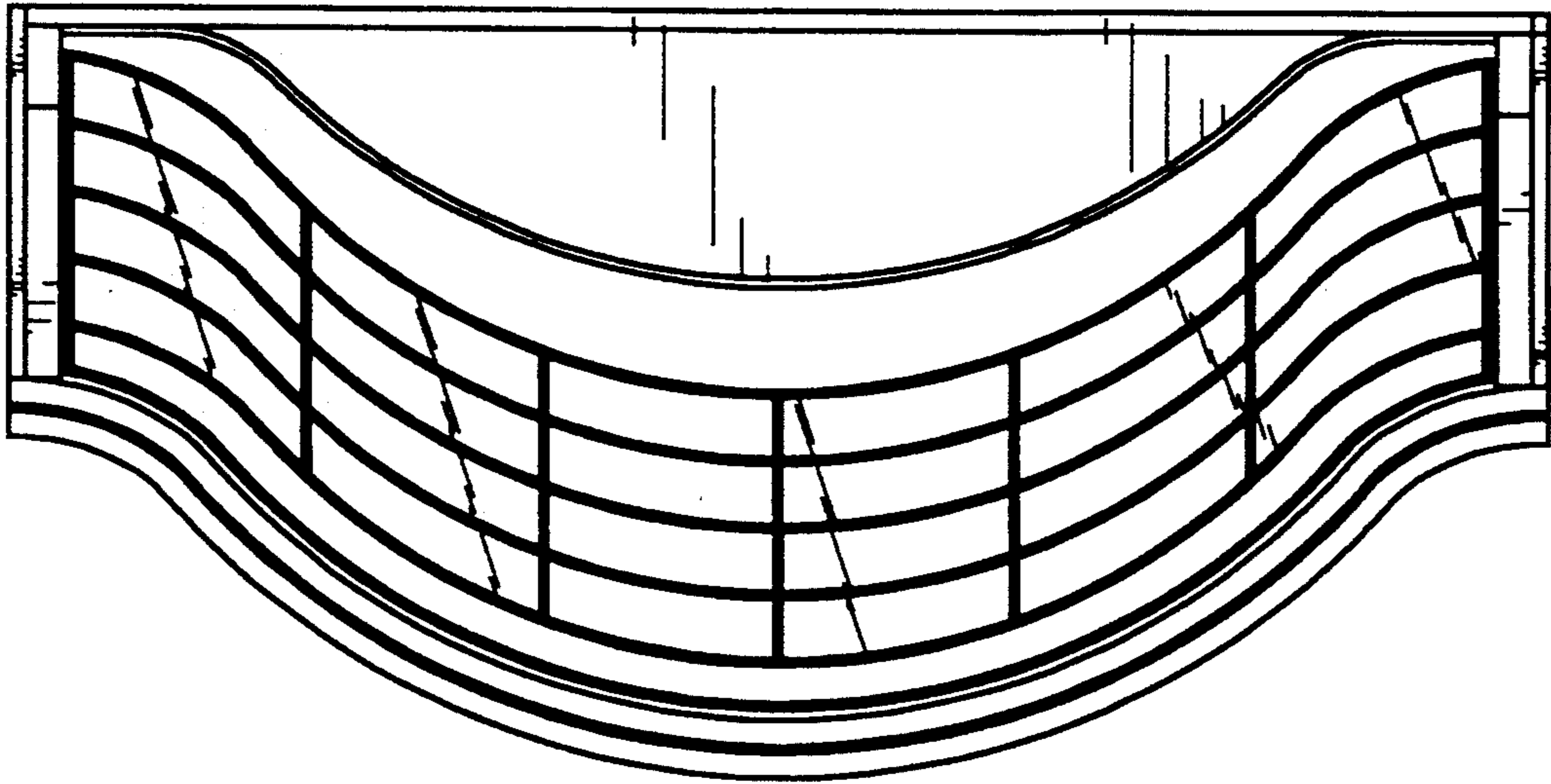


Fig.5



Fig.6

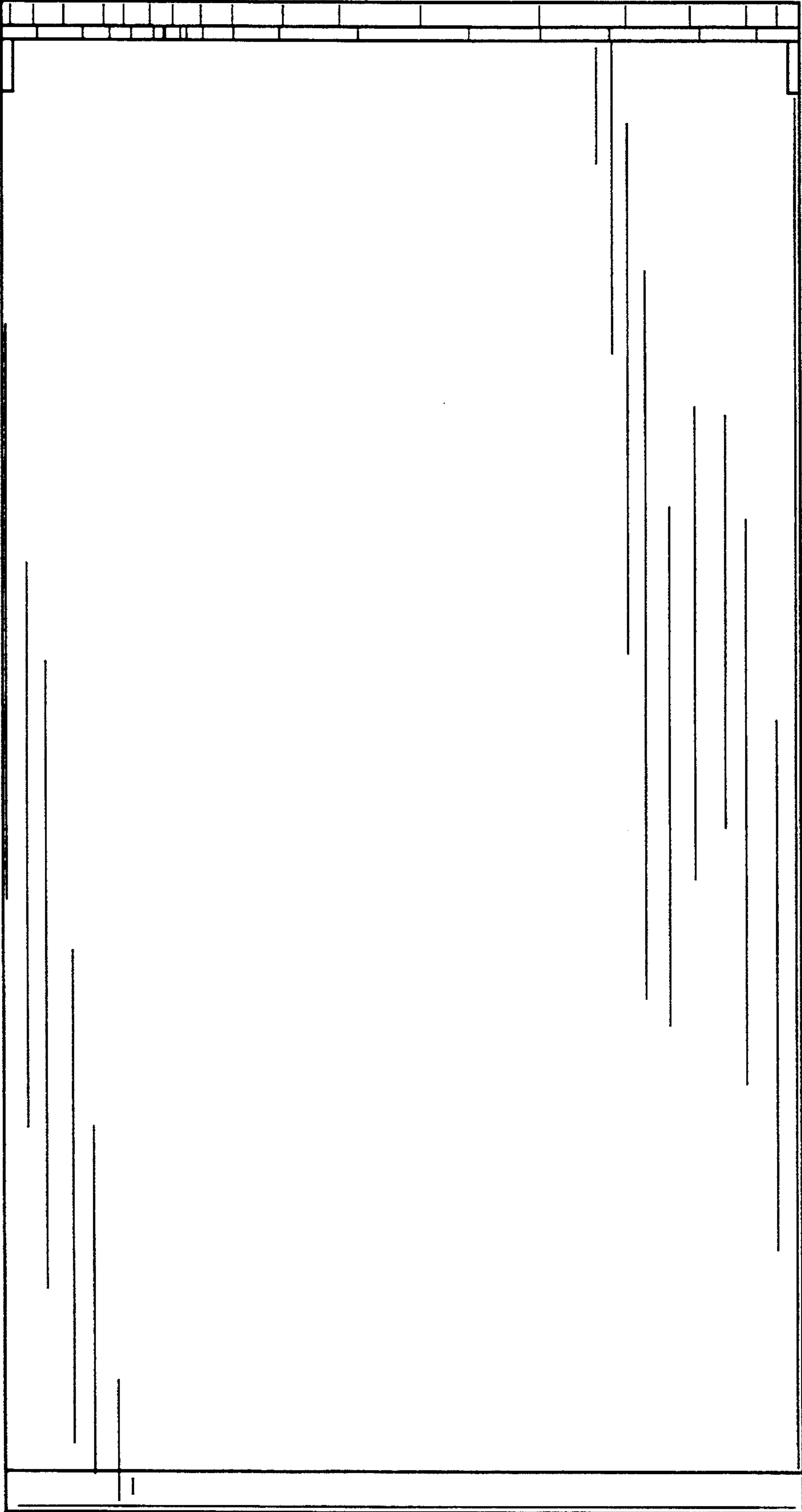


Fig.7

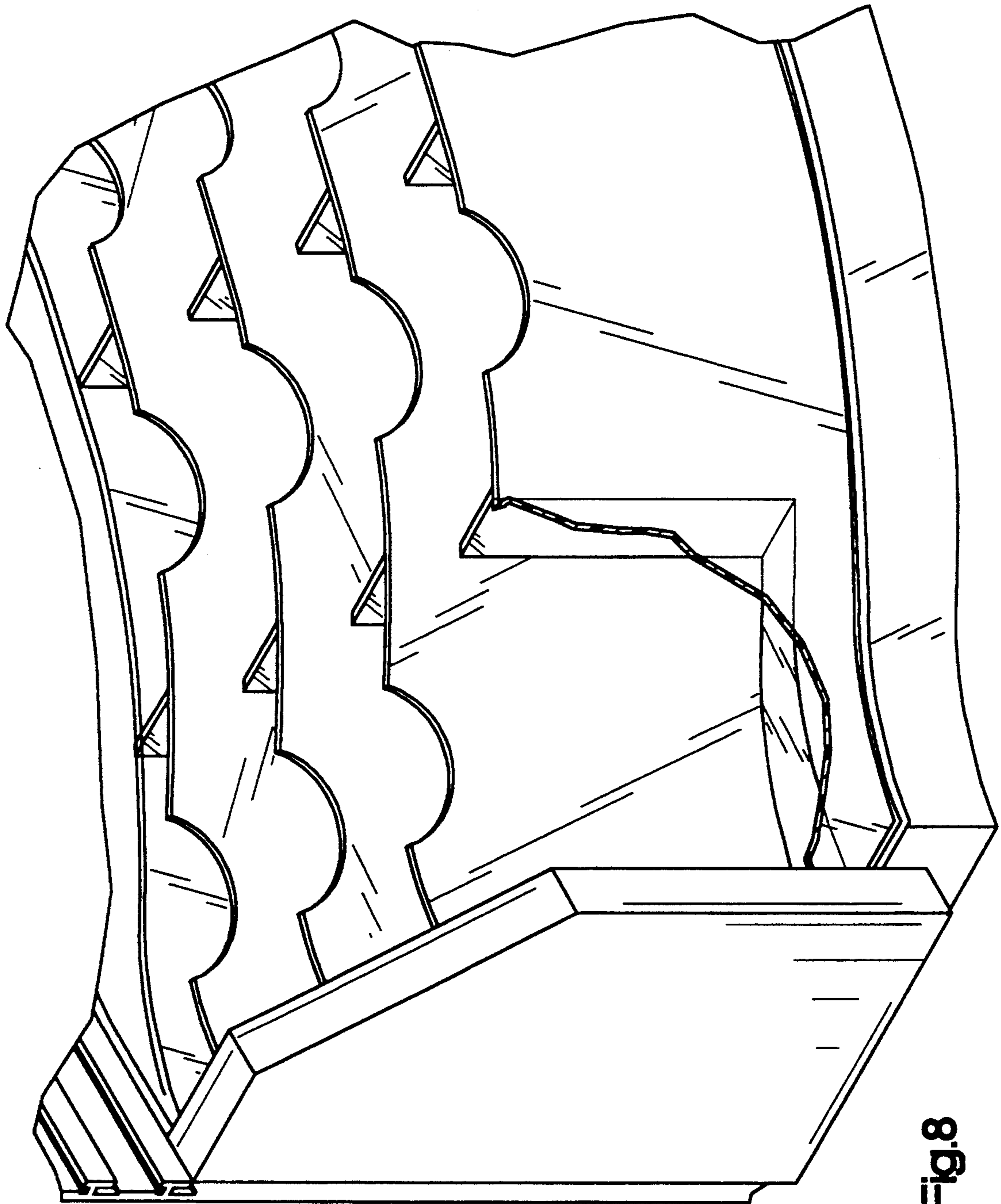


Fig. 8



Fig.9

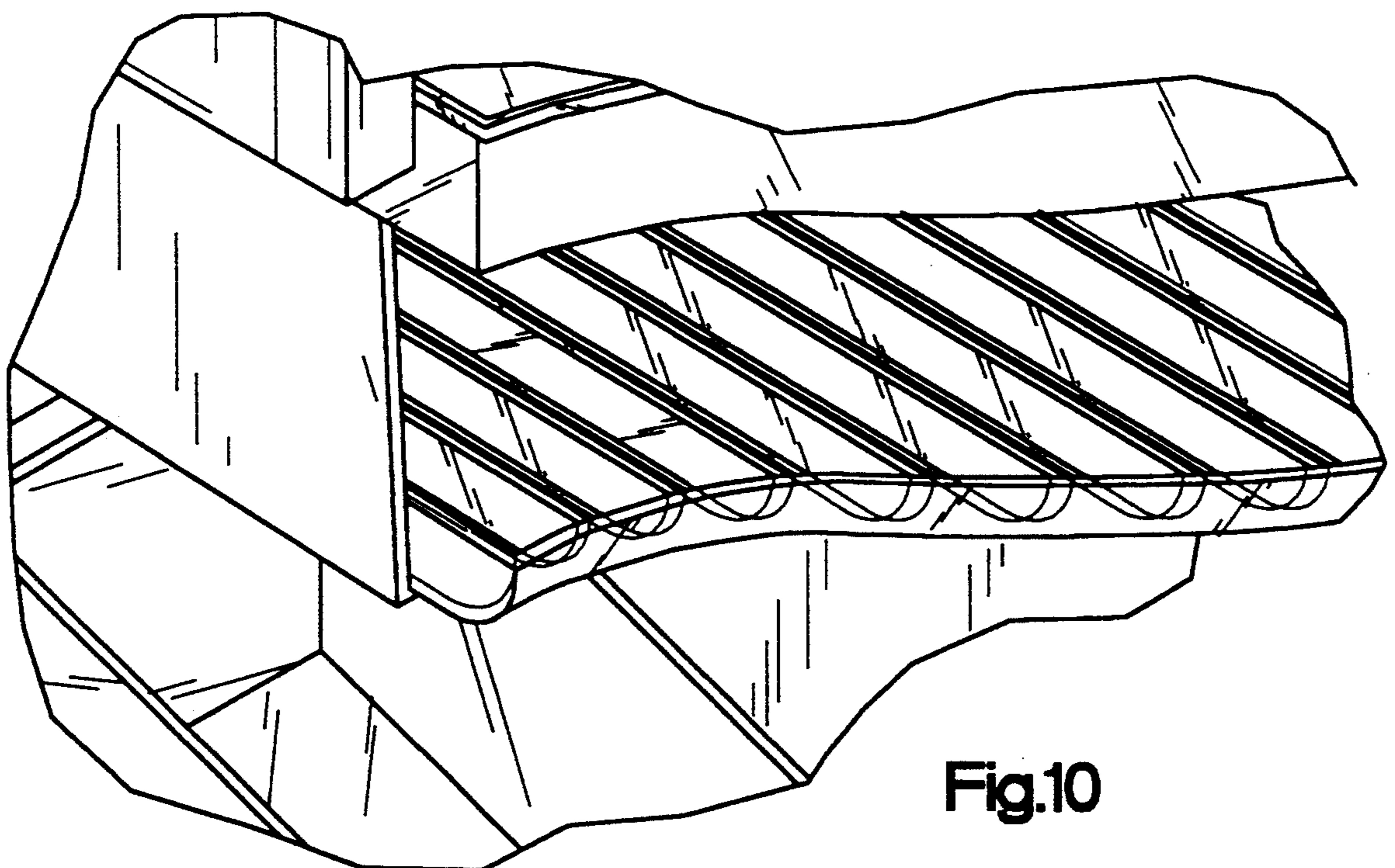
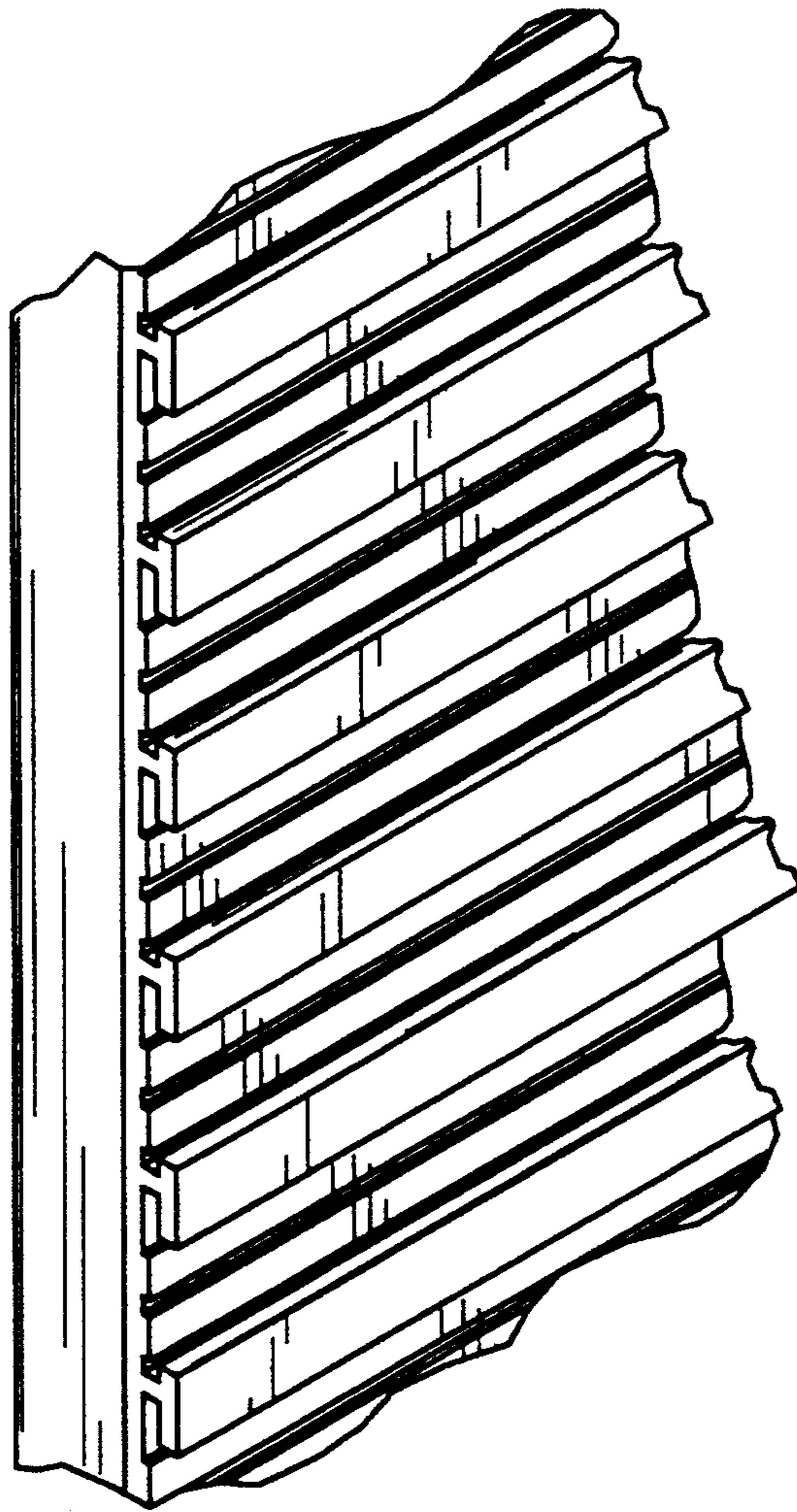


Fig.10