



US00D351072S

United States Patent [19]

[11] Patent Number: **Des. 351,072**

Emalfarb et al.

[45] Date of Patent: **** Oct. 4, 1994**

[54] PLANT TERRACE CENTER SECTION

OTHER PUBLICATIONS

[76] Inventors: **Seymour Emalfarb**, 1585 Saunders Rd., River Woods, Ill. 60015;
Bradley S. Emalfarb, 26529 N. Highway 83, Mundelein, Ill. 60060

“The Catalogue for Home & Garden”—David Kay, Spring/Summer 1990, Versatile Plant Stand, p. 11.
Gardener’s Eden—Summer 1991, Etageres a Fleurs. Circle Metal Mfg. Co advertisement; “The Gift and Art Buyer” for Apr., 1954, p. 120.

[**] Term: **14 Years**

Primary Examiner—Alan P. Douglas
Assistant Examiner—S. Snapp
Attorney, Agent, or Firm—Wood, Phillips, VanSanten, Hoffman & Ertel

[21] Appl. No.: **930,303**

[57] CLAIM

[22] Filed: **Aug. 17, 1992**
[52] U.S. Cl. **D6/405**
[58] Field of Search D6/405, 462, 470, 567,
D6/465, 464, 474, 404; 108/59; 206/45;
D7/616, 619

The ornamental design for a plant terrace center section, as shown and described.

DESCRIPTION

[56] References Cited

U.S. PATENT DOCUMENTS

D. 244,982 7/1977 Parra D6/464
D. 292,658 11/1987 Kester D6/465
D. 317,094 5/1991 Weinberg et al. D6/465
D. 319,356 8/1991 Vukelich D6/405

FIG. 1 is a perspective view of a plant terrace center section showing my new design;
FIG. 2 is a top plan view thereof;
FIG. 3 is a front elevation view thereof;
FIG. 4 is a rear elevation view thereof;
FIG. 5 is a right side elevation view thereof, the left side elevation view thereof being a mirror image; and,
FIG. 6 is a bottom plan view thereof.

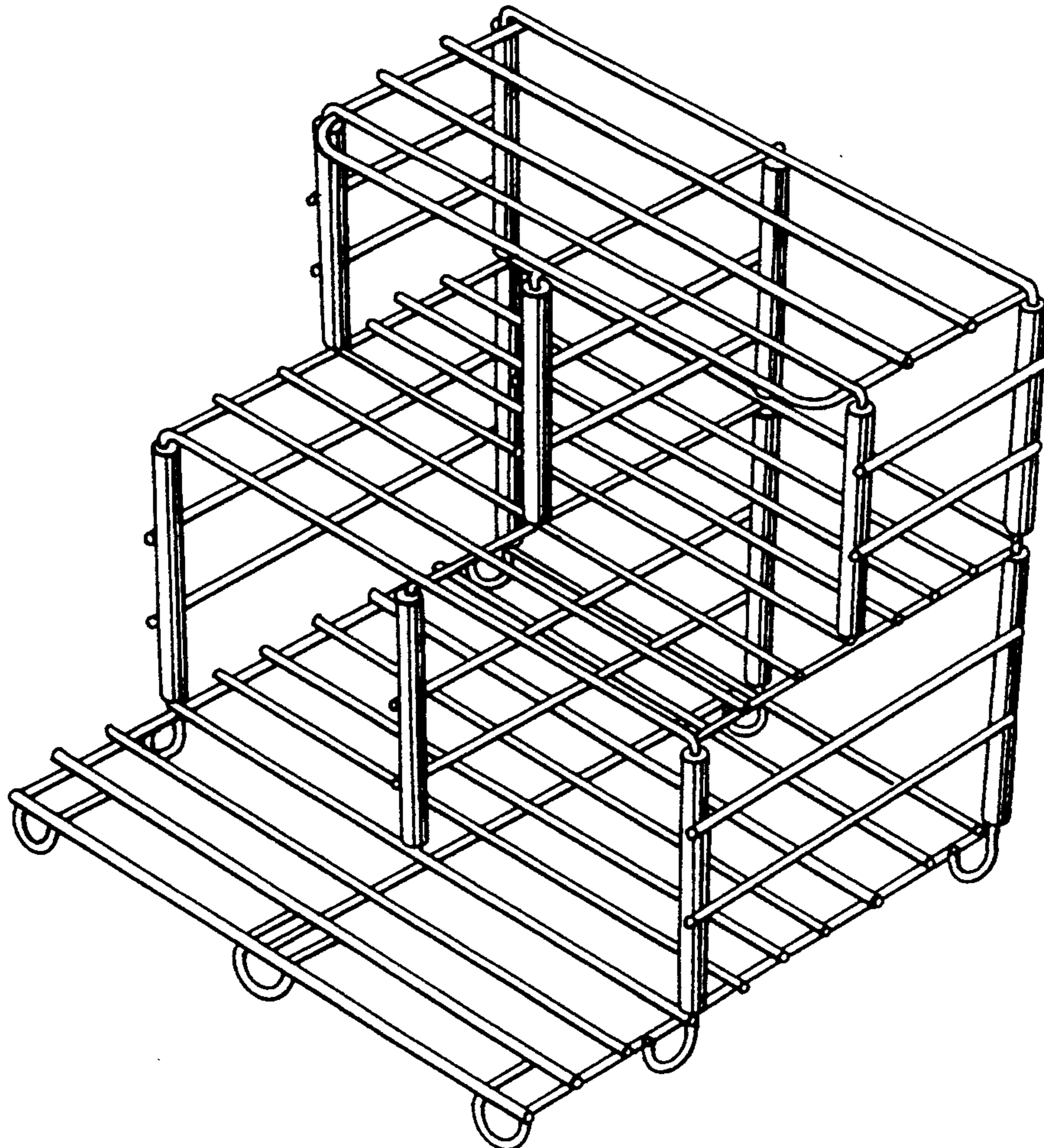


FIG. 1

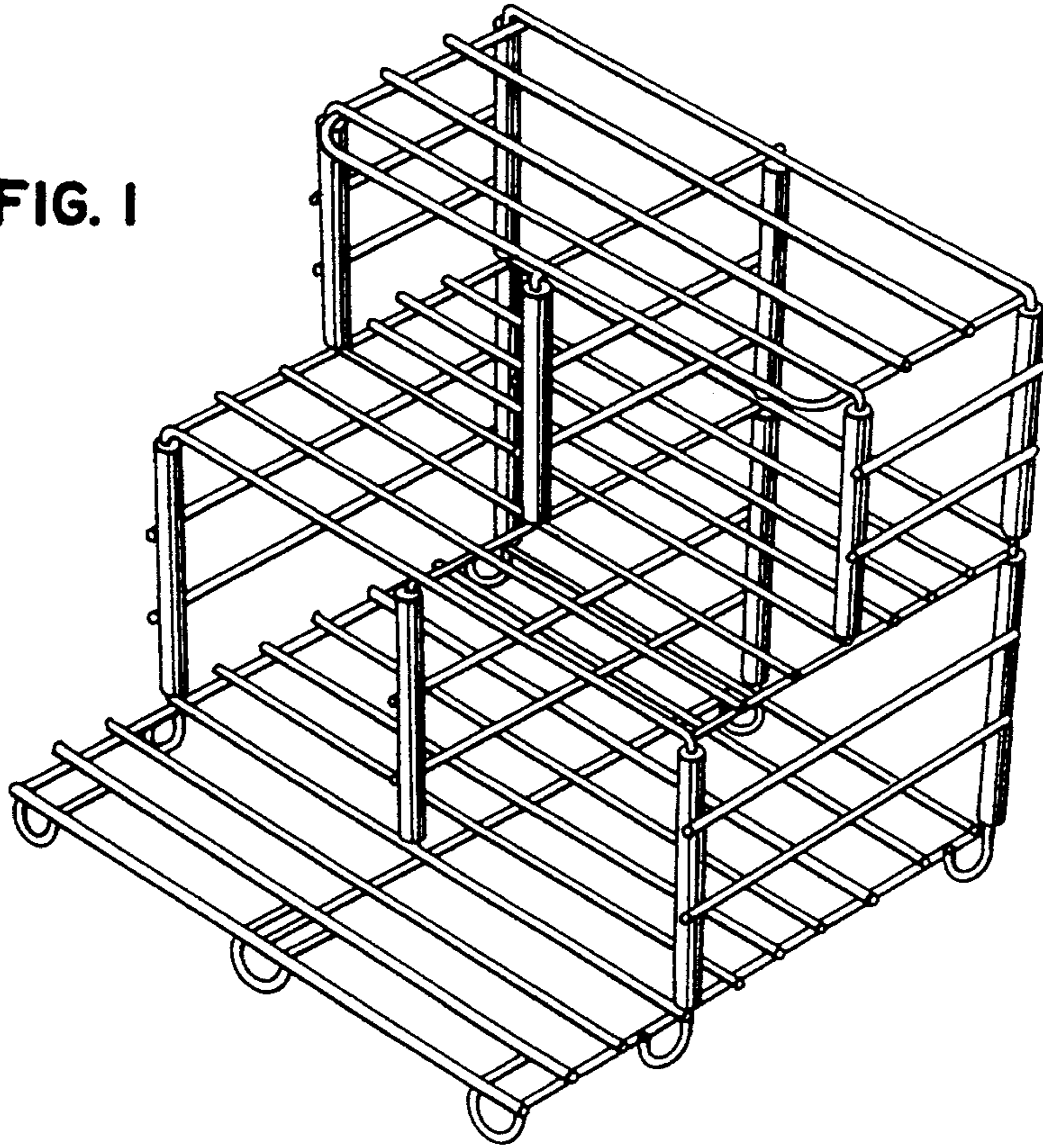


FIG. 2

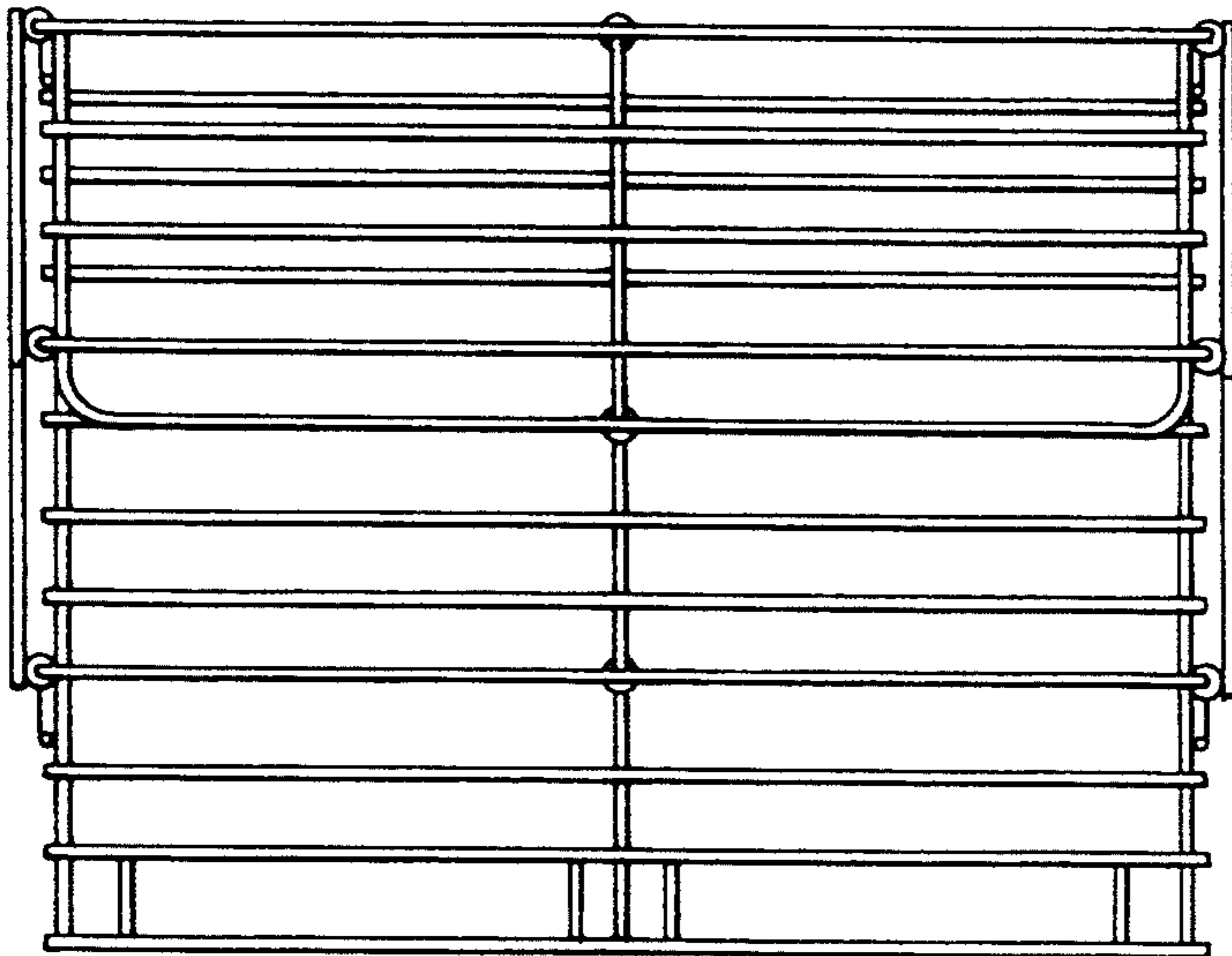


FIG. 5

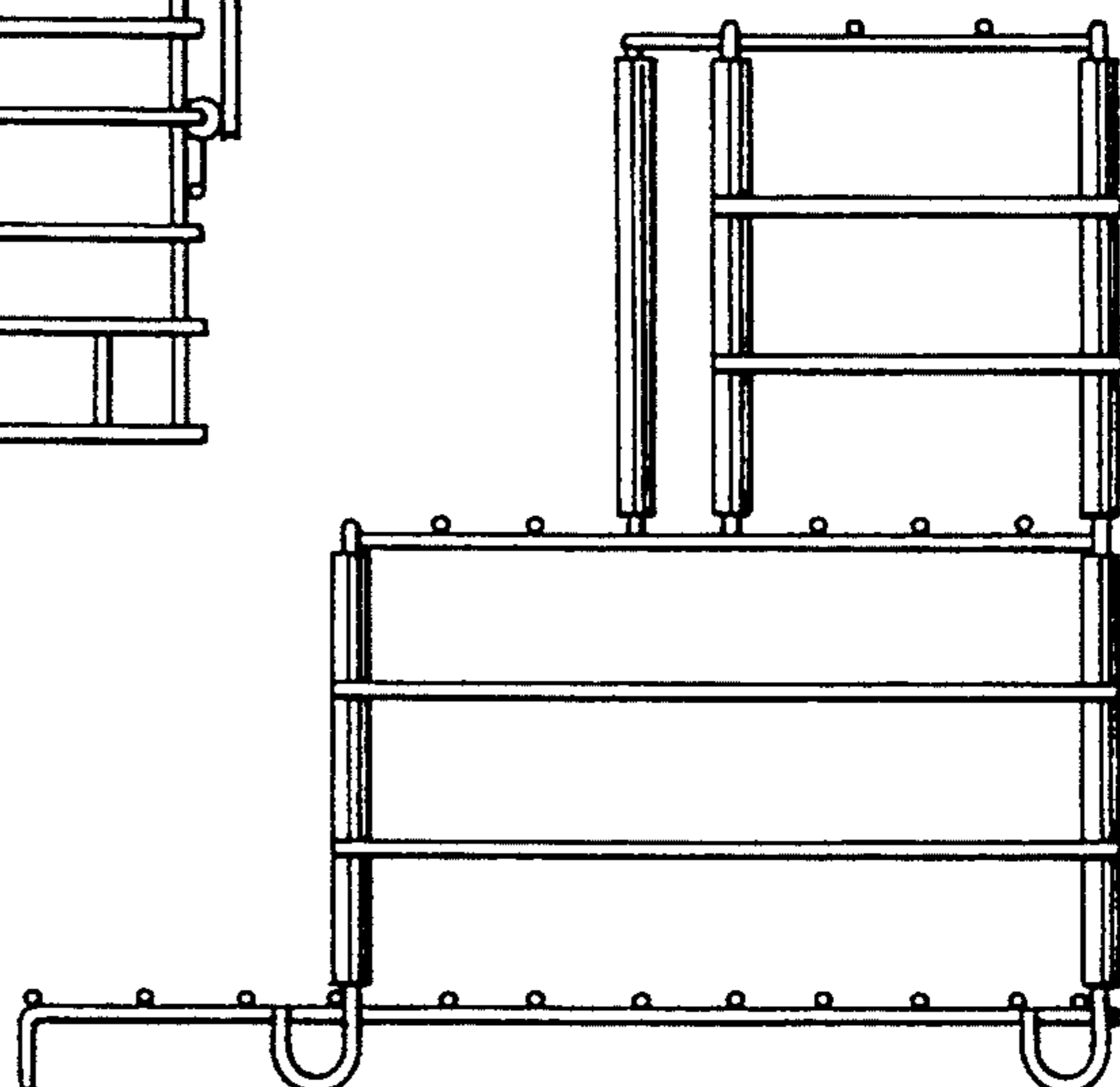


FIG. 3

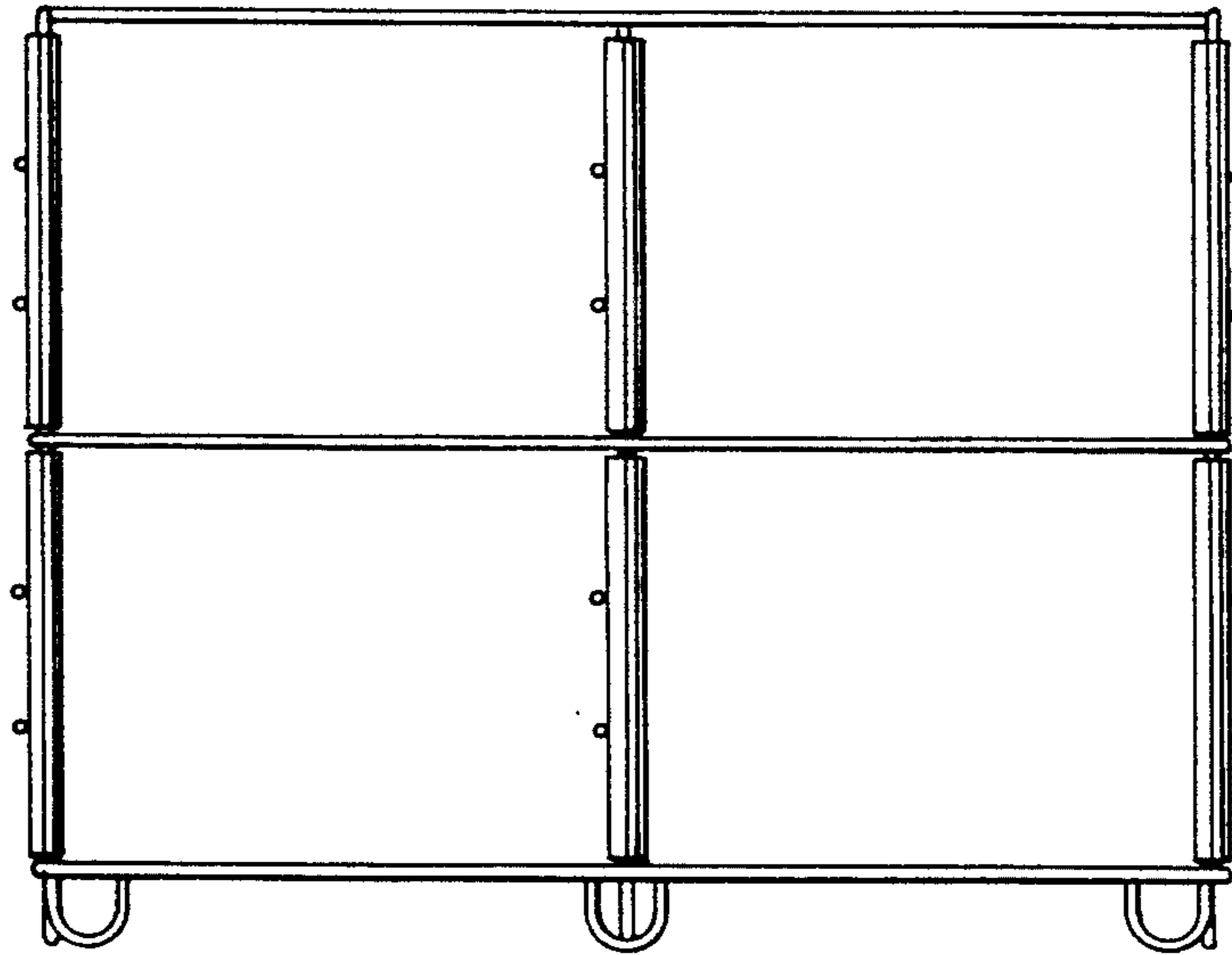


FIG. 4

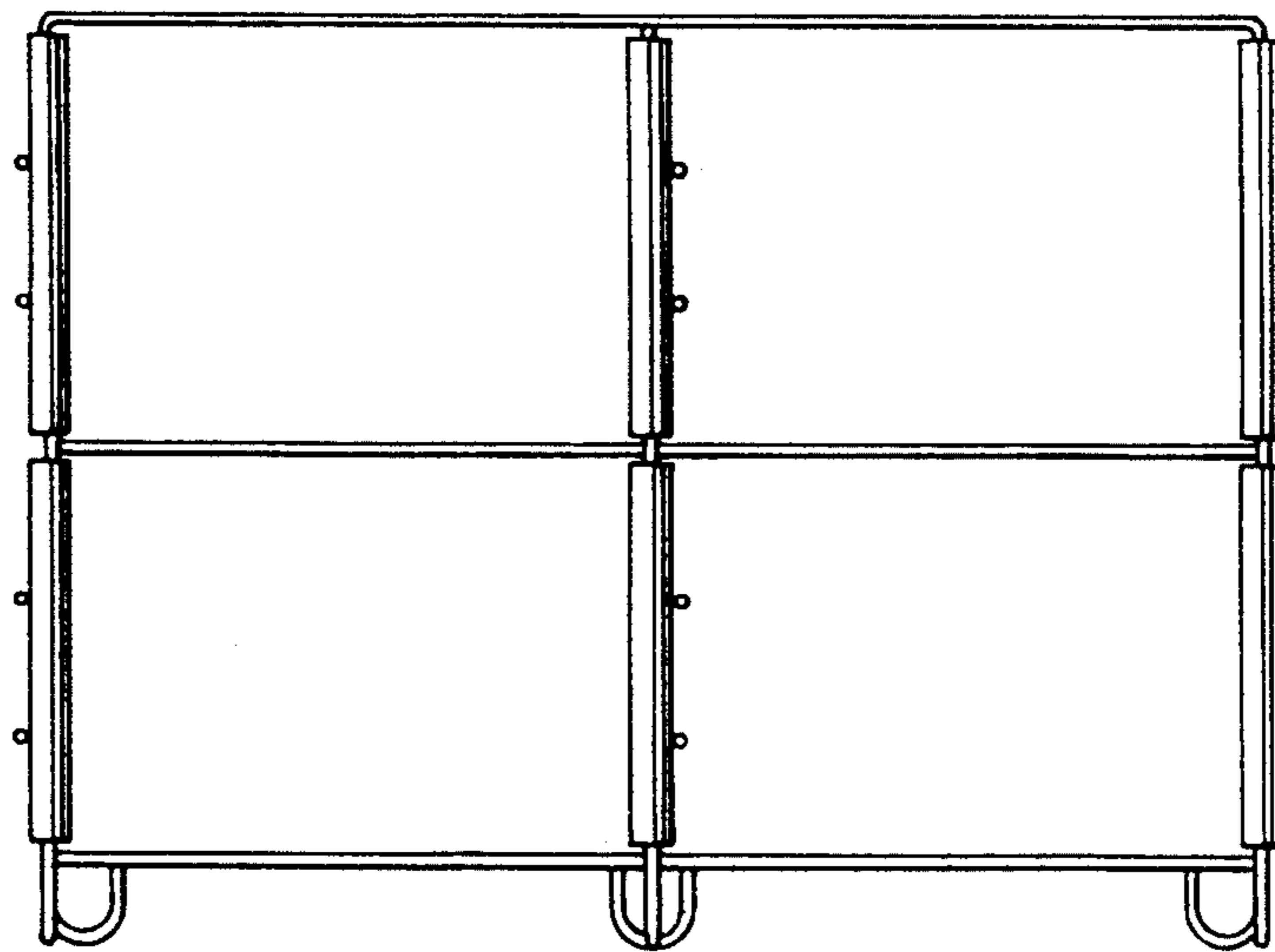


FIG. 6

