



US00D351070S

United States Patent [19]

[11] Patent Number: **Des. 351,070**

Scheper et al.

[45] Date of Patent: **** Oct. 4, 1994**

[54] CHAIR

[75] Inventors: **Robert M. Scheper**, Grand Rapids;
Dale M. Groendal, Jenison; **James E. Abraham**, Grandville; **Thomas R. Hahn**, Kentwood; **Cheryl D. Baumgartner**, East Grand Rapids;
Douglas A. Smith, Grand Rapids;
Brian L. Scholten, Jenison, all of Mich.

[73] Assignee: **Steelcase Inc.**, Grand Rapids, Mich.

[**] Term: **14 Years**

[21] Appl. No.: **8,029**

[22] Filed: **May 7, 1993**

[52] U.S. Cl. **D6/366**

[58] Field of Search **D6/334, 364, 365, 366, D6/367, 379, 500, 501, 502; 297/411.4**

[56] **References Cited**

U.S. PATENT DOCUMENTS

- D. 228,536 10/1973 Sottsass, Jr. D6/366
- D. 240,375 7/1976 Buhk D6/366
- D. 249,205 9/1978 Spencer .
- D. 250,231 11/1978 Wilson .
- D. 258,480 3/1981 Rowland .
- D. 258,924 4/1981 Deschamps et al. .
- D. 260,204 8/1981 Sapper D6/366
- D. 262,168 12/1981 Lustig .
- D. 262,677 1/1982 Rowland .
- D. 263,262 3/1982 Thygesen et al. .
- D. 269,743 7/1983 Muller-Deisig .
- D. 270,313 8/1983 Murry .
- D. 272,781 2/1984 Ochsner .
- D. 274,579 7/1984 Diffrient .
- D. 274,675 7/1984 Diffrient .
- D. 285,629 9/1986 Franck et al. .
- D. 286,106 10/1986 Franck et al. .
- D. 288,869 3/1987 Bitsch D6/365
- D. 292,655 11/1987 Hendrick .

- D. 295,928 5/1988 Uredat .
- D. 298,988 12/1988 Smith et al. .
- D. 301,662 6/1989 Vonhausen .
- D. 301,663 6/1989 Vonhausen .
- D. 303,597 9/1989 Kaminski .
- D. 305,183 12/1989 Carter et al. .
- D. 308,605 6/1990 Uecker et al. .
- D. 312,176 11/1990 Heidmann .
- D. 317,097 5/1991 Vogtherr et al. .
- D. 319,739 9/1991 Narita .
- D. 323,078 1/1992 Edwards .
- D. 326,783 6/1992 Piretti .
- D. 326,788 6/1992 Edwards .
- D. 327,988 7/1992 Citterio D6/366
- D. 330,119 10/1992 Armgardt .
- D. 331,154 11/1992 Sheridan .
- D. 341,951 12/1993 Engel D6/366
- D. 345,259 3/1994 Narita D6/366

OTHER PUBLICATIONS

Article entitled "Rose Johnson Ready to Unveil its First Line of Office Chairs", by Nancy Crawley, *The Grand Rapids Press*, Dec. 3, 1992.

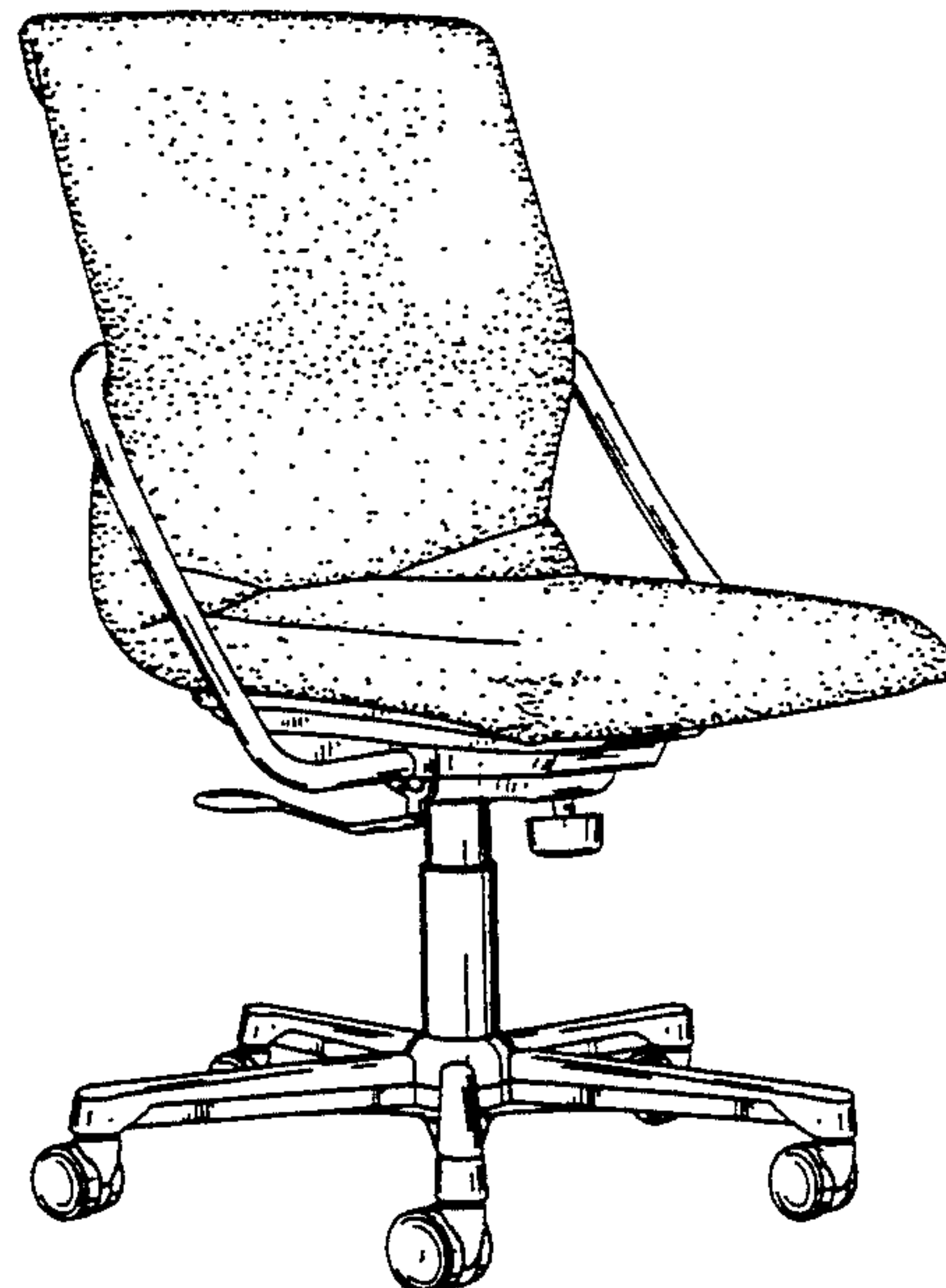
Primary Examiner—Nelson C. Holtje
Assistant Examiner—Gary D. Watson
Attorney, Agent, or Firm—Price, Heneveld, Cooper, DeWitt & Litton

[57] **CLAIM**

The ornamental design for a chair, as shown and described.

DESCRIPTION

FIG. 1 is a perspective view of a chair showing our new design;
FIG. 2 is a front view thereof;
FIG. 3 is a right side view thereof;
FIG. 4 is a left side view thereof;
FIG. 5 is a rear view thereof;
FIG. 6 is a top view thereof; and,
FIG. 7 is a bottom view thereof.



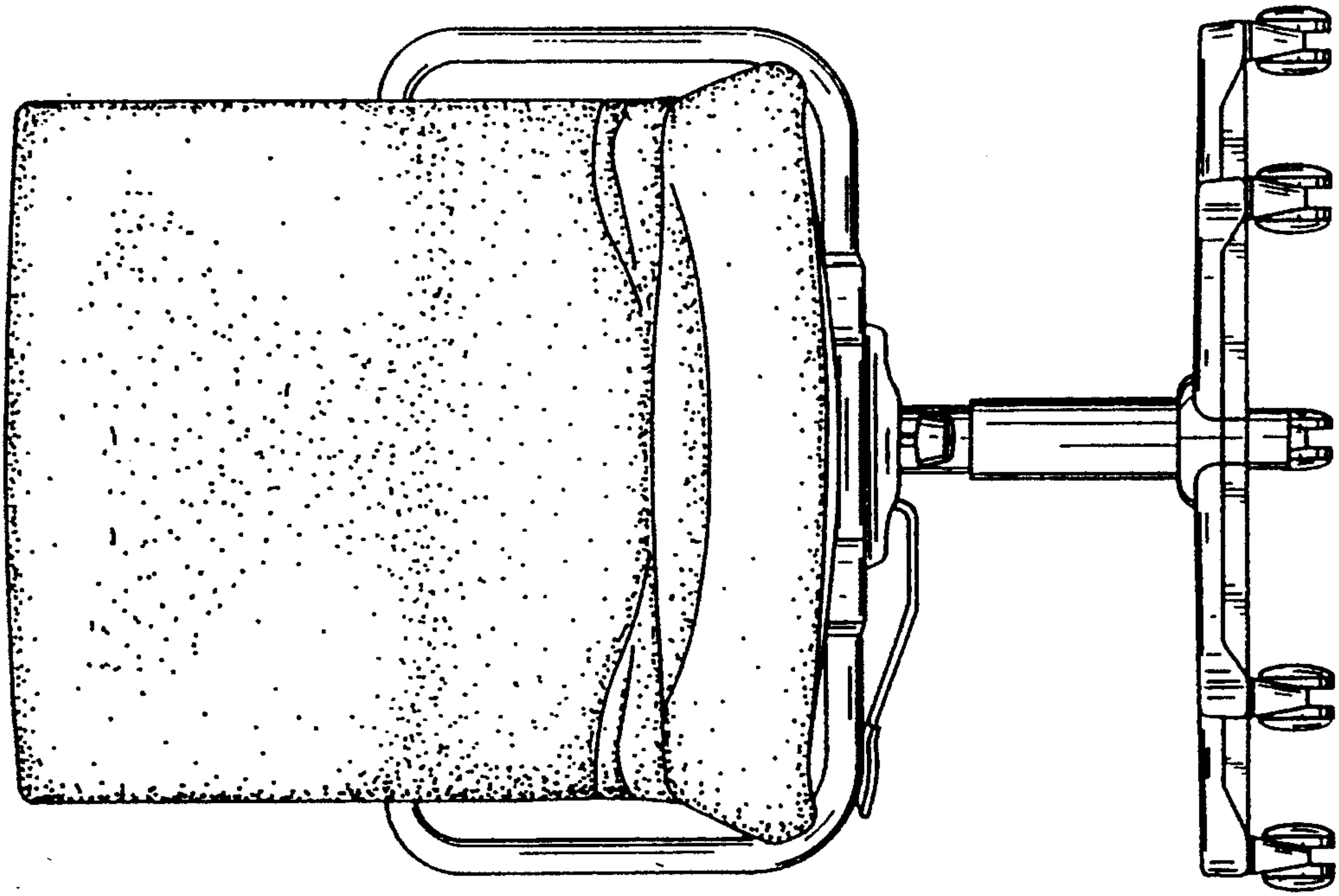


FIG. 2

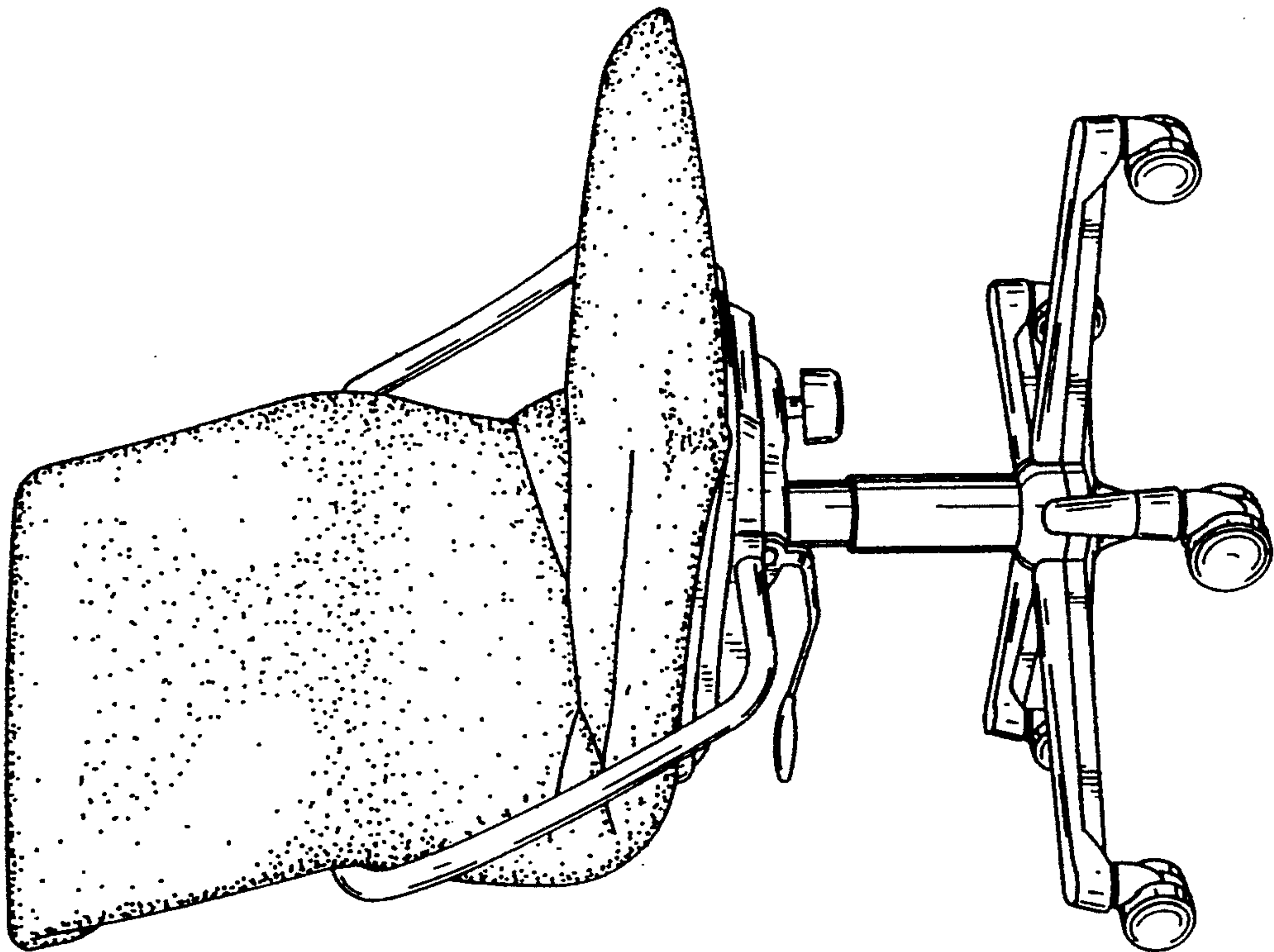


FIG. 1

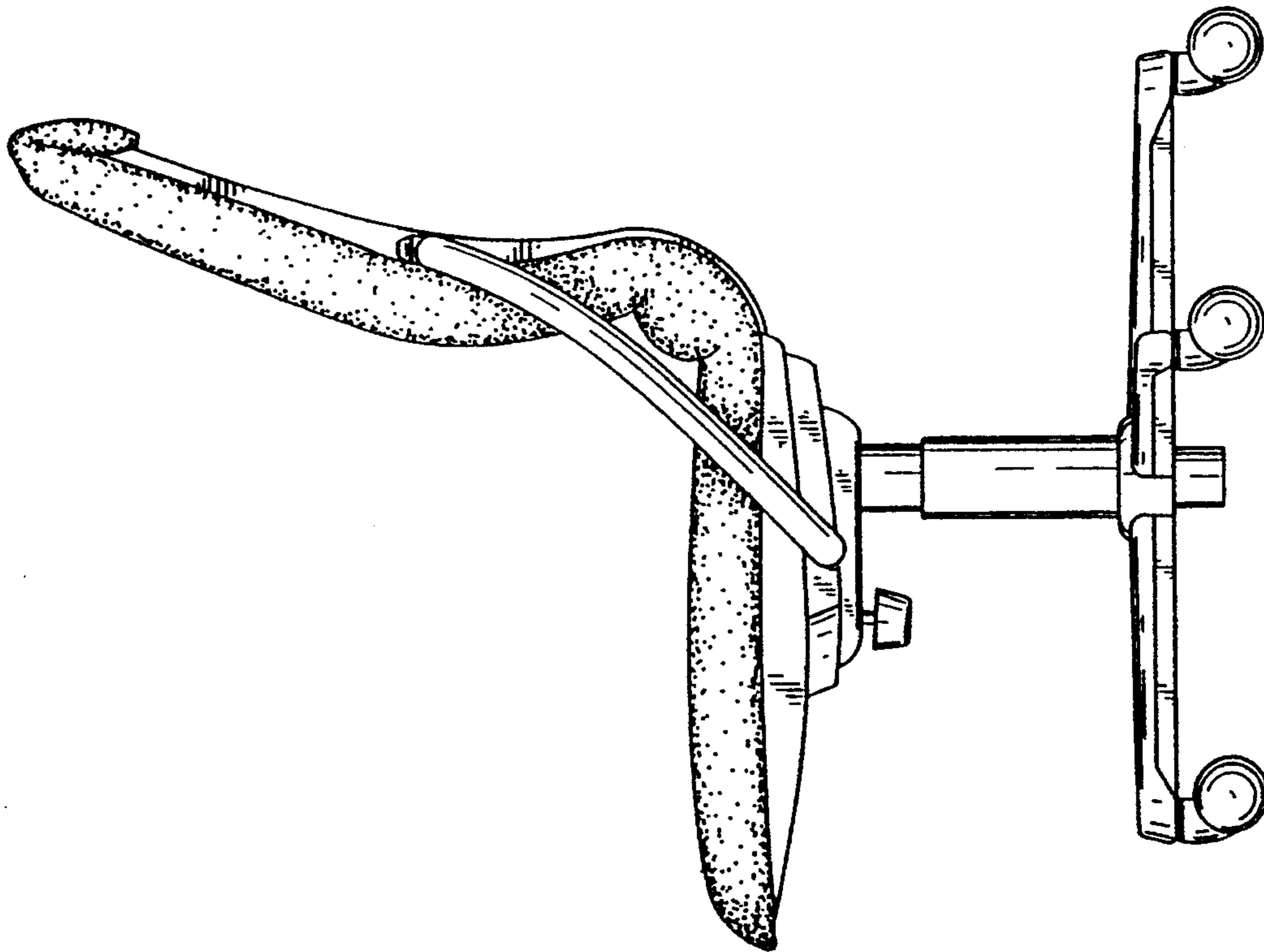


FIG. 4

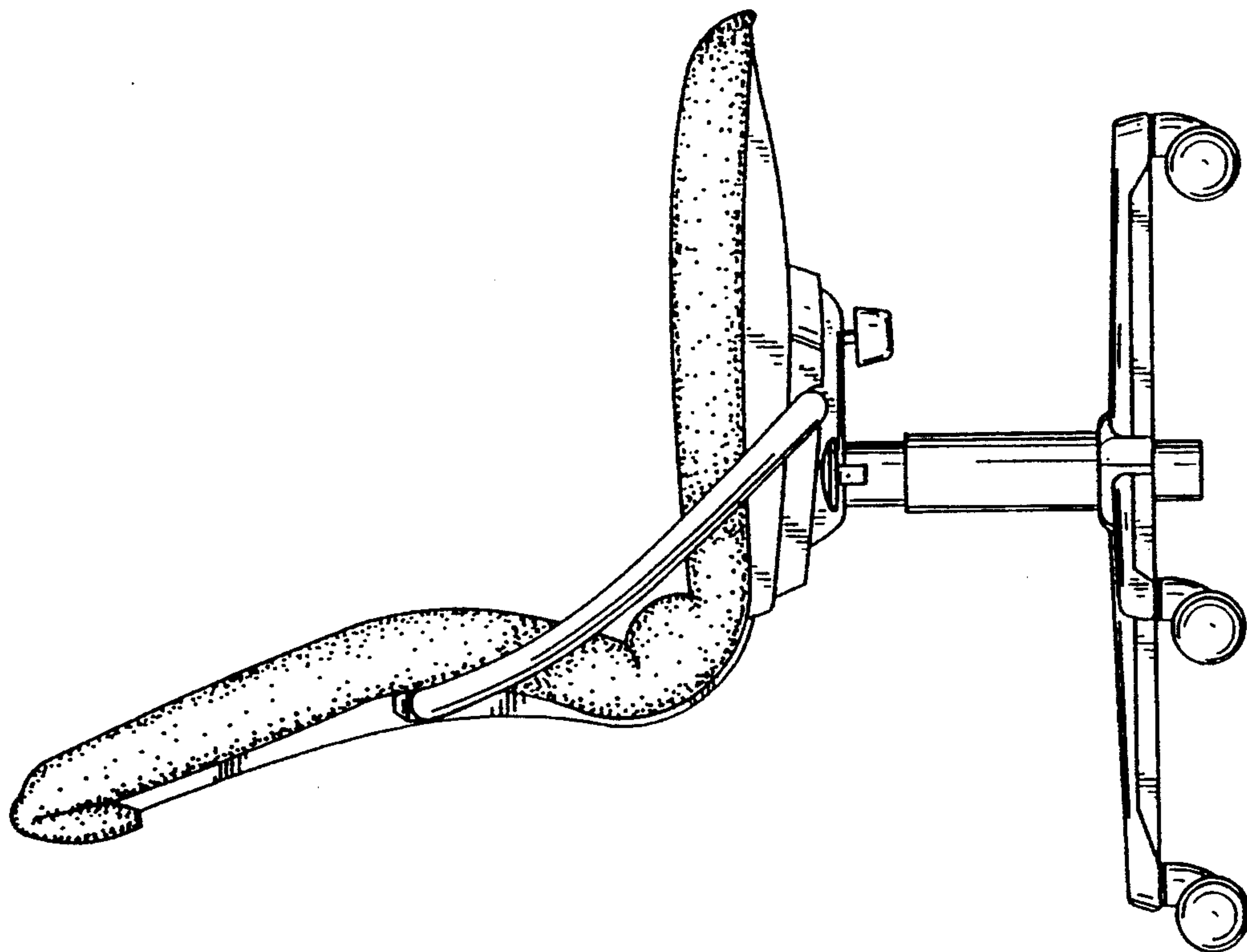


FIG. 3

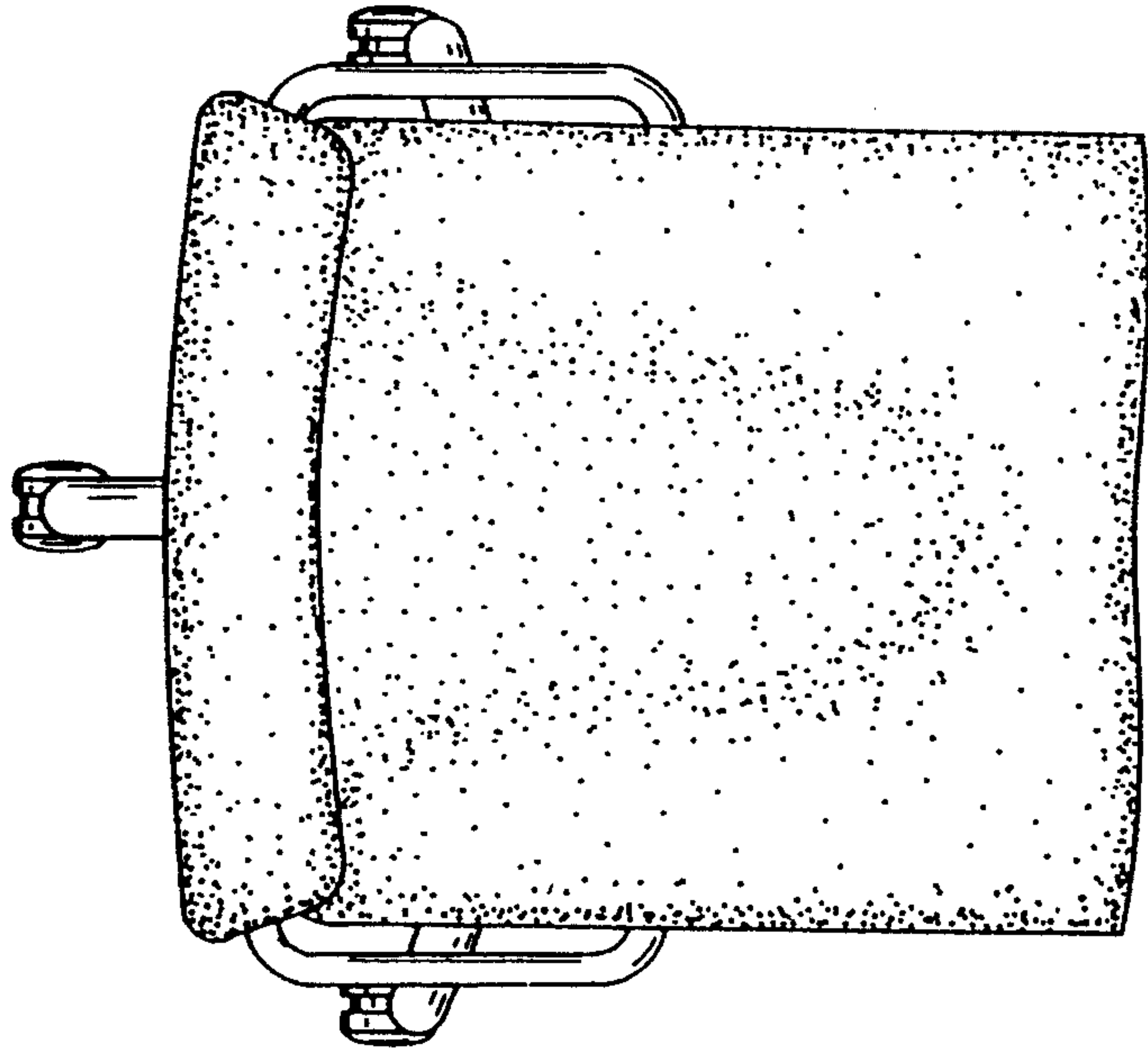


FIG. 6

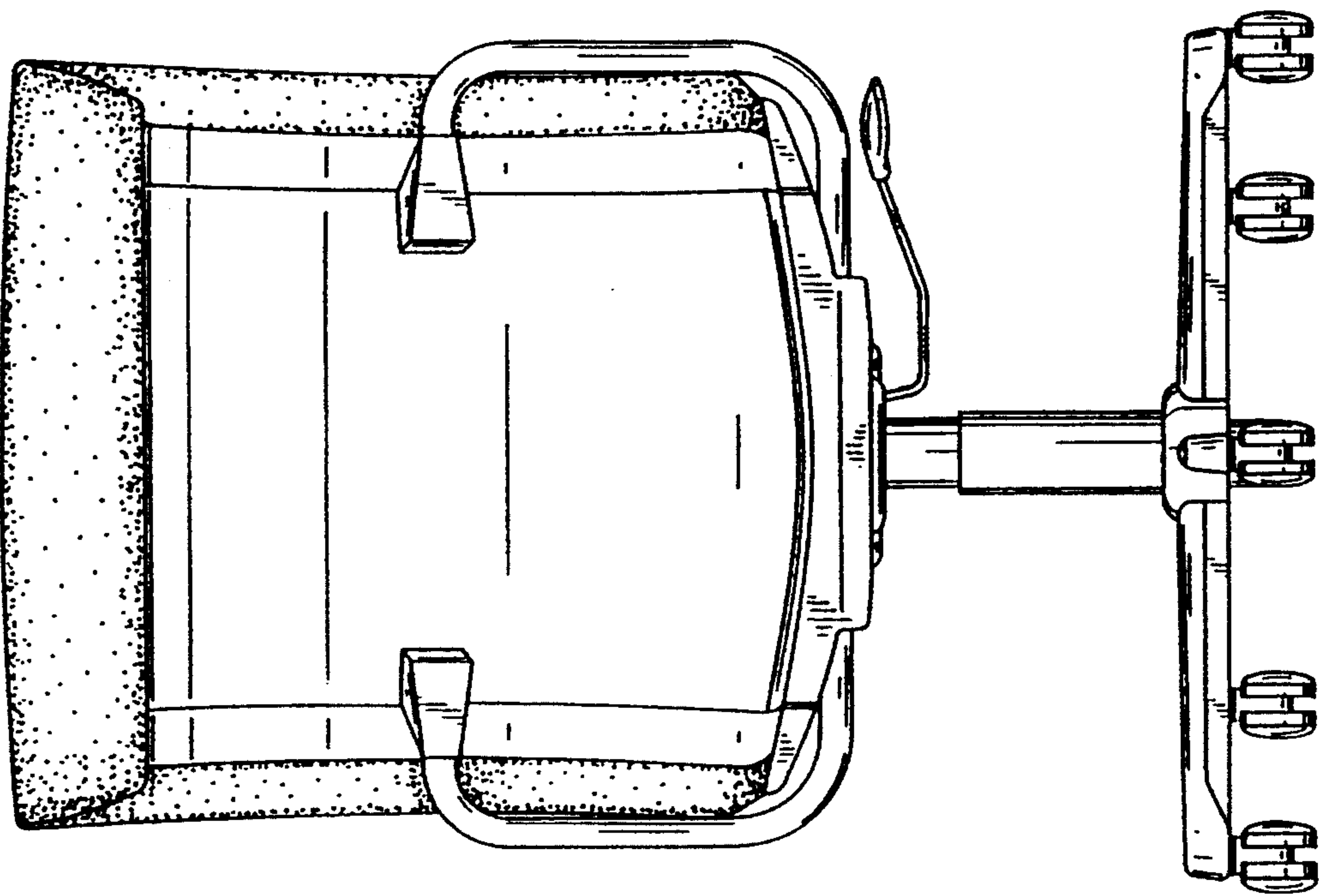


FIG. 5

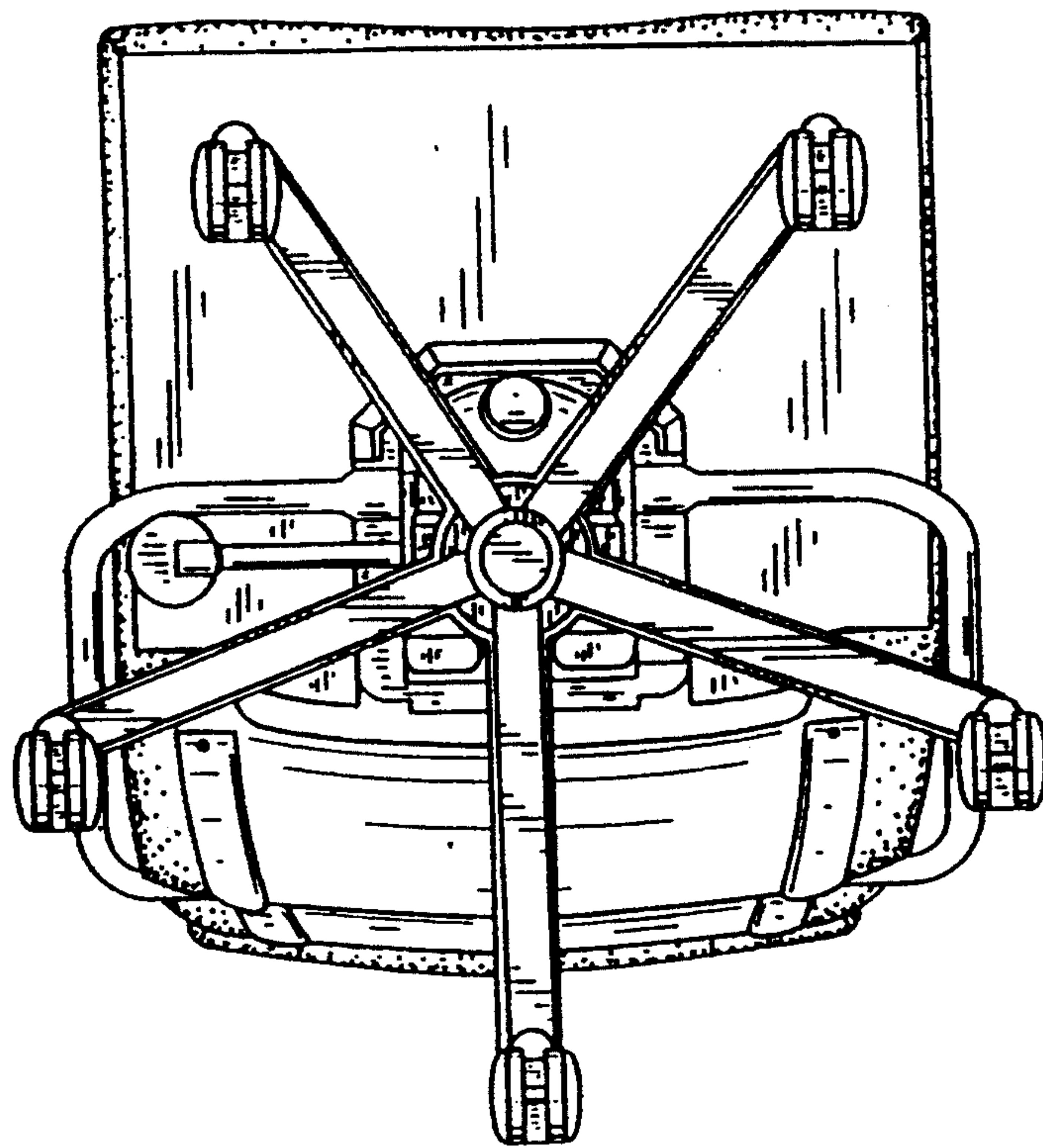


FIG. 7