



US00D351069S

United States Patent [19]

Orlandini et al.

[11] Patent Number: **Des. 351,069**

[45] Date of Patent: **** Oct. 4, 1994**

[54] CHAIR

[75] Inventors: **Paolo Orlandini; Roberto Lucci**, both of Milan, Italy

[73] Assignee: **Westinghouse Electric Corporation**, Pittsburgh, Pa.

[**] Term: **14 Years**

[21] Appl. No.: **4,294**

[22] Filed: **Feb. 1, 1993**

[52] U.S. Cl. **D6/366**

[58] Field of Search **D6/334, 365, 366, 379, D6/500, 501, 502; 297/411.44, 452.14**

[56] **References Cited**

U.S. PATENT DOCUMENTS

D. 108,890	3/1938	Powell	D6/366
D. 240,375	7/1976	Buhk	D6/366
D. 253,205	10/1979	Buhk	D6/366
D. 255,293	6/1980	Locher	D6/366
D. 288,869	3/1987	Bitsch	D6/365
D. 296,161	6/1988	Bellini	D6/366
D. 305,284	1/1990	Piretti	D6/366
D. 311,286	10/1990	Muller-Deisig et al.	D6/366
D. 318,184	7/1991	Muller-Deisig et al.	D6/366
D. 320,507	10/1991	Shields	D6/366
D. 326,369	5/1992	Buchacz	D6/366
D. 336,380	6/1993	Roseen et al.	D6/366
D. 336,722	6/1993	Fahnstrom et al.	D6/366

OTHER PUBLICATIONS

Interiors, Sep. 1980, p. 83, chair by Gunlocke Co., at top right.

Domos, Dec. 1987, chair at right.

Primary Examiner—Alan P. Douglas

Assistant Examiner—Gary D. Watson

Attorney, Agent, or Firm—Carla J. Vrsansky

[57] **CLAIM**

The ornamental design for a chair, as shown and described.

DESCRIPTION

FIG. 1 is a perspective view of a chair having arms showing our new design;

FIG. 2 is a front elevation view thereof;

FIG. 3 is a rear elevation view thereof;

FIG. 4 is a left side elevation view thereof, the right side being a mirror image thereof;

FIG. 5 is a top plan view thereof;

FIG. 6 is a bottom plan view thereof;

FIG. 7 is a perspective view of an alternative embodiment of a chair without arms showing our new design;

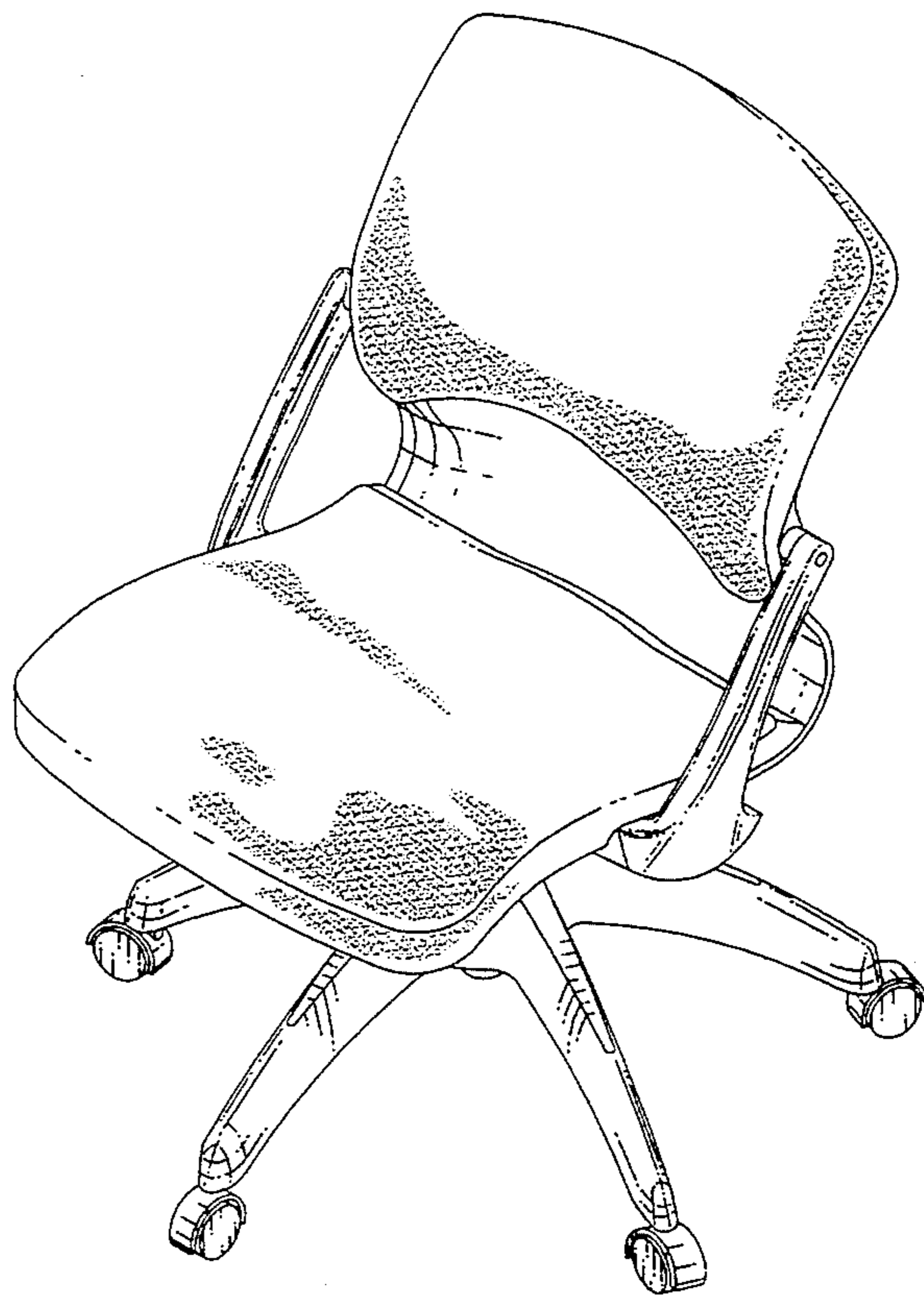
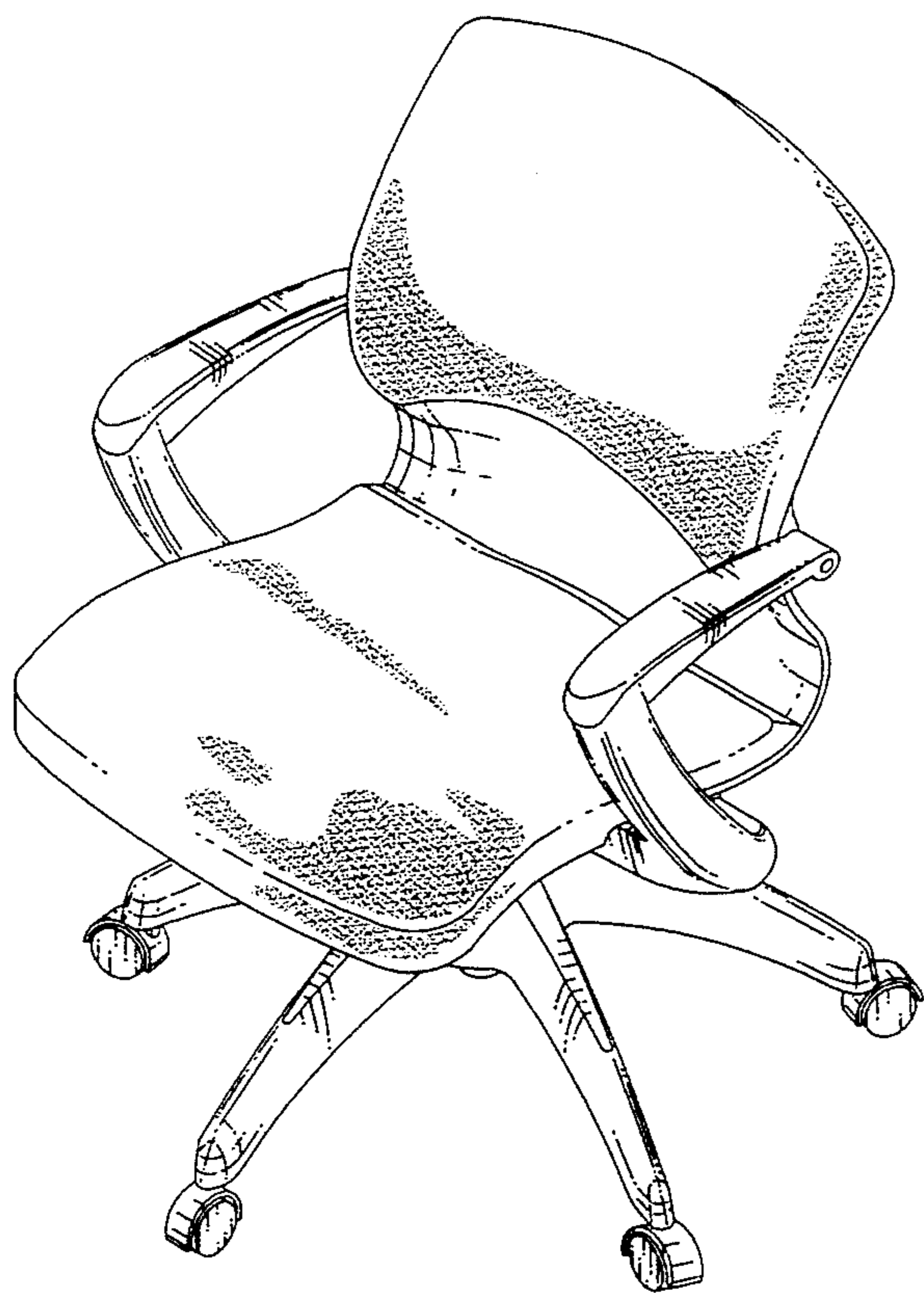
FIG. 8 is a front elevation view thereof;

FIG. 9 is a rear elevation view thereof;

FIG. 10 is a left side elevation view thereof, the right side being a mirror image thereof;

FIG. 11 is a top plan view thereof; and,

FIG. 12 is a bottom plan view thereof.



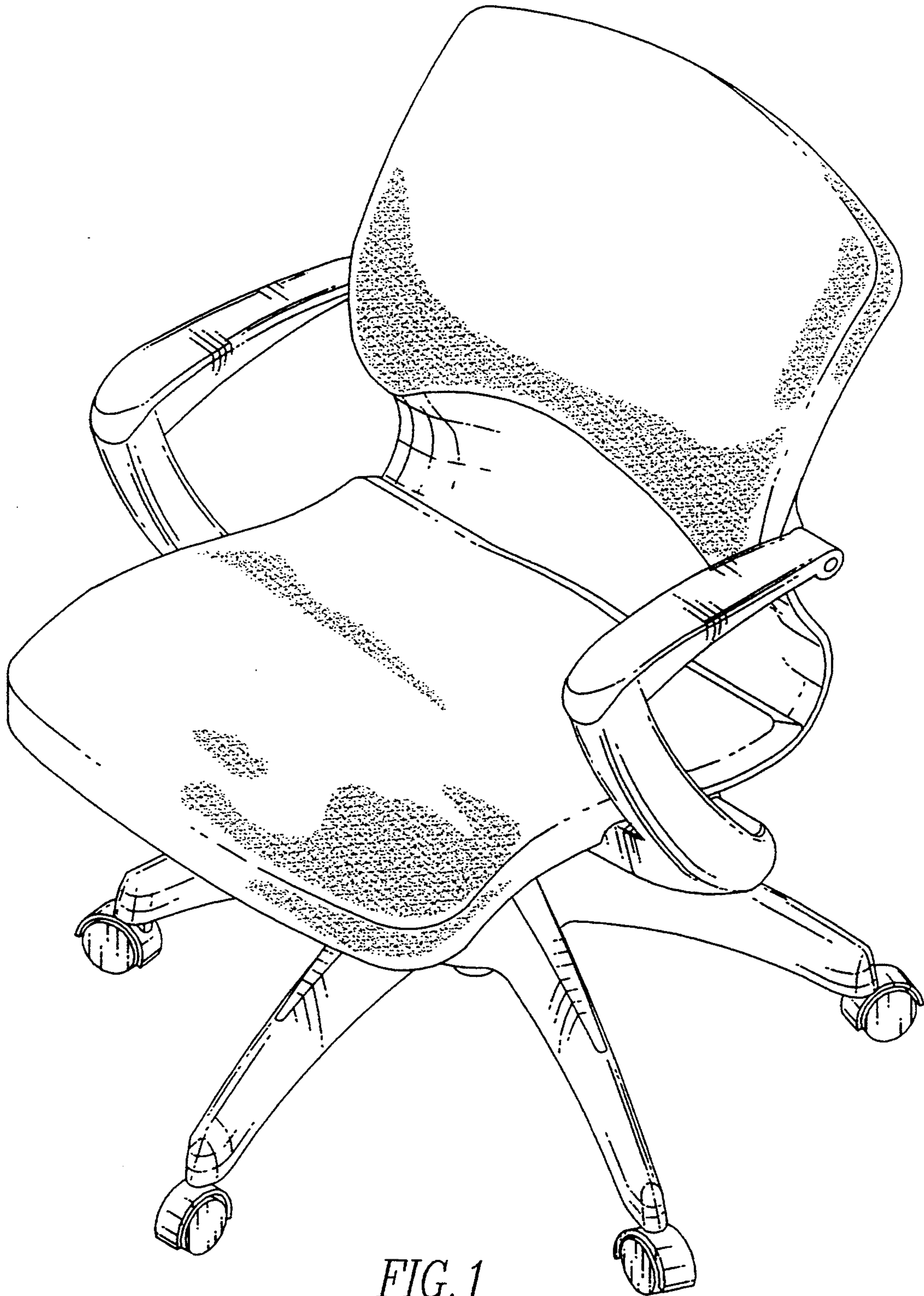


FIG. 1

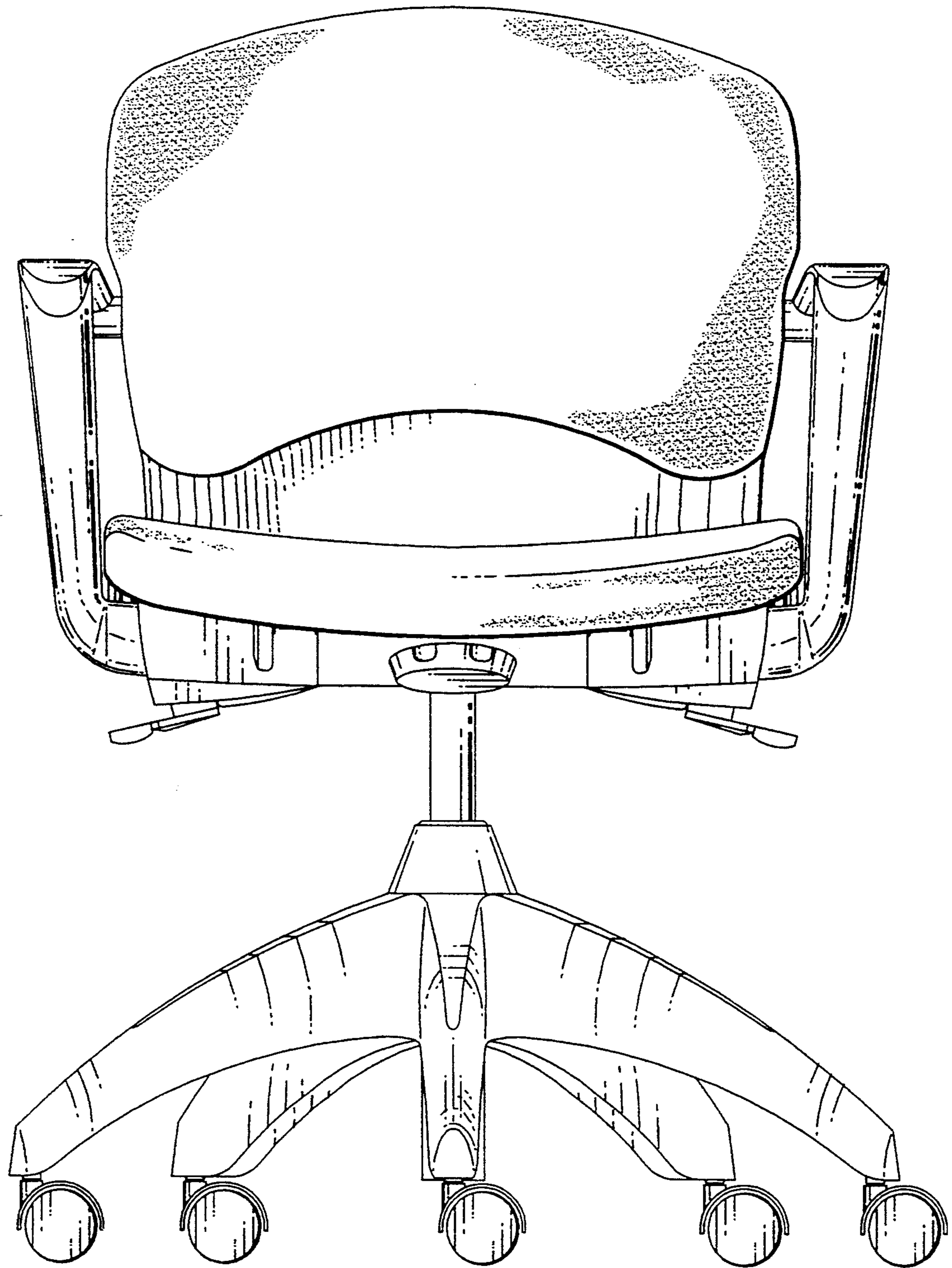


FIG. 2

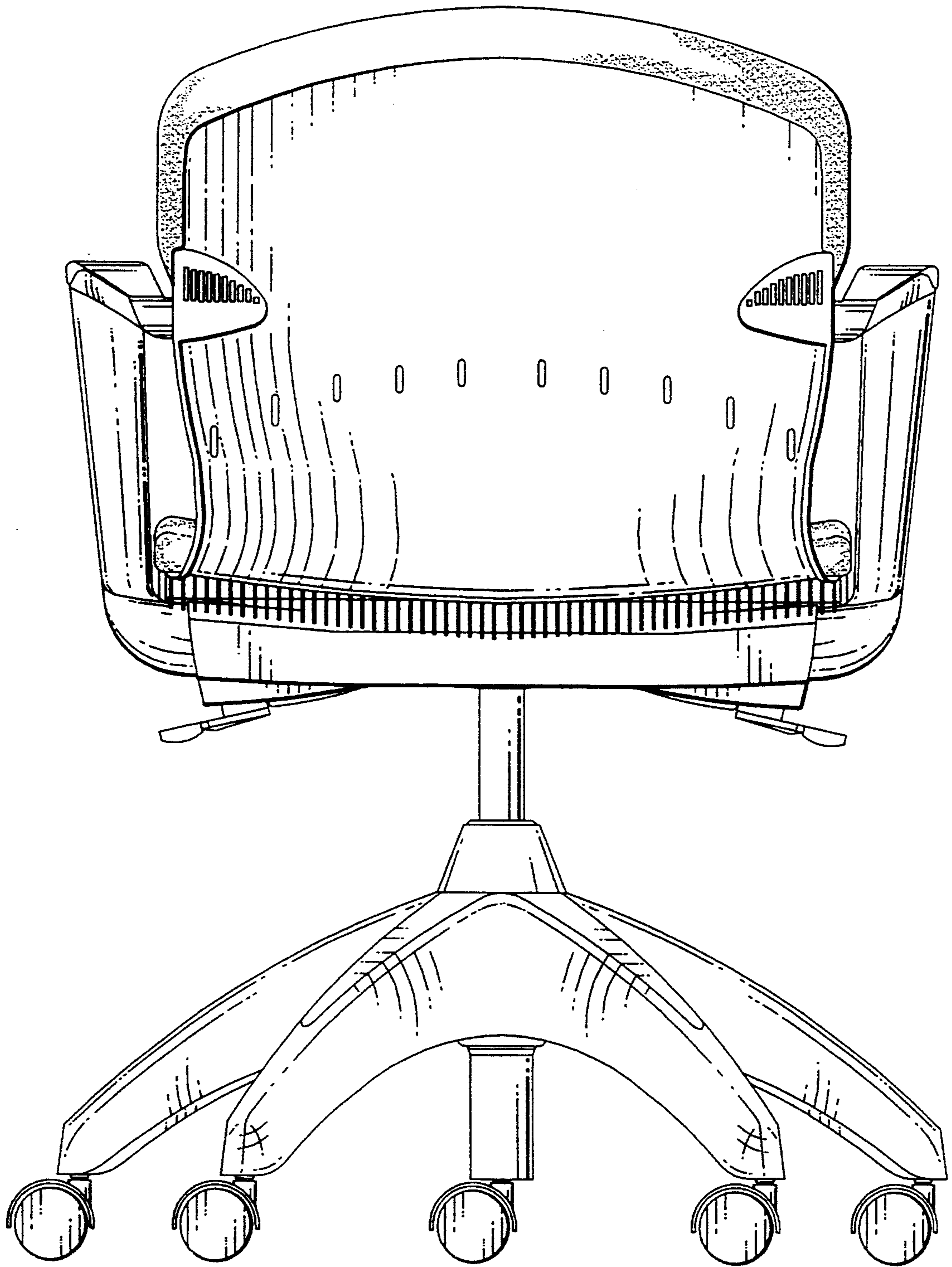


FIG. 3

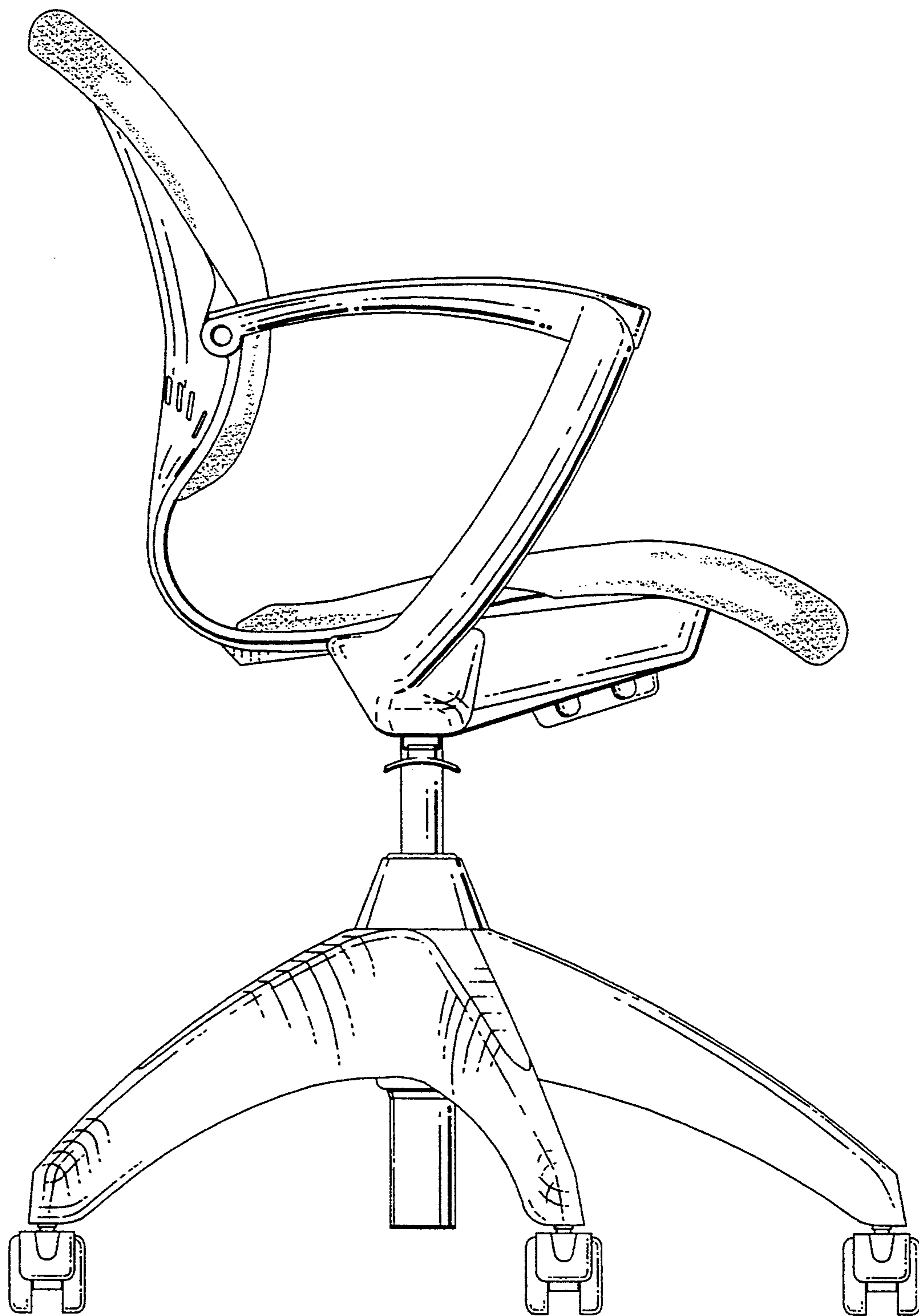


FIG. 4

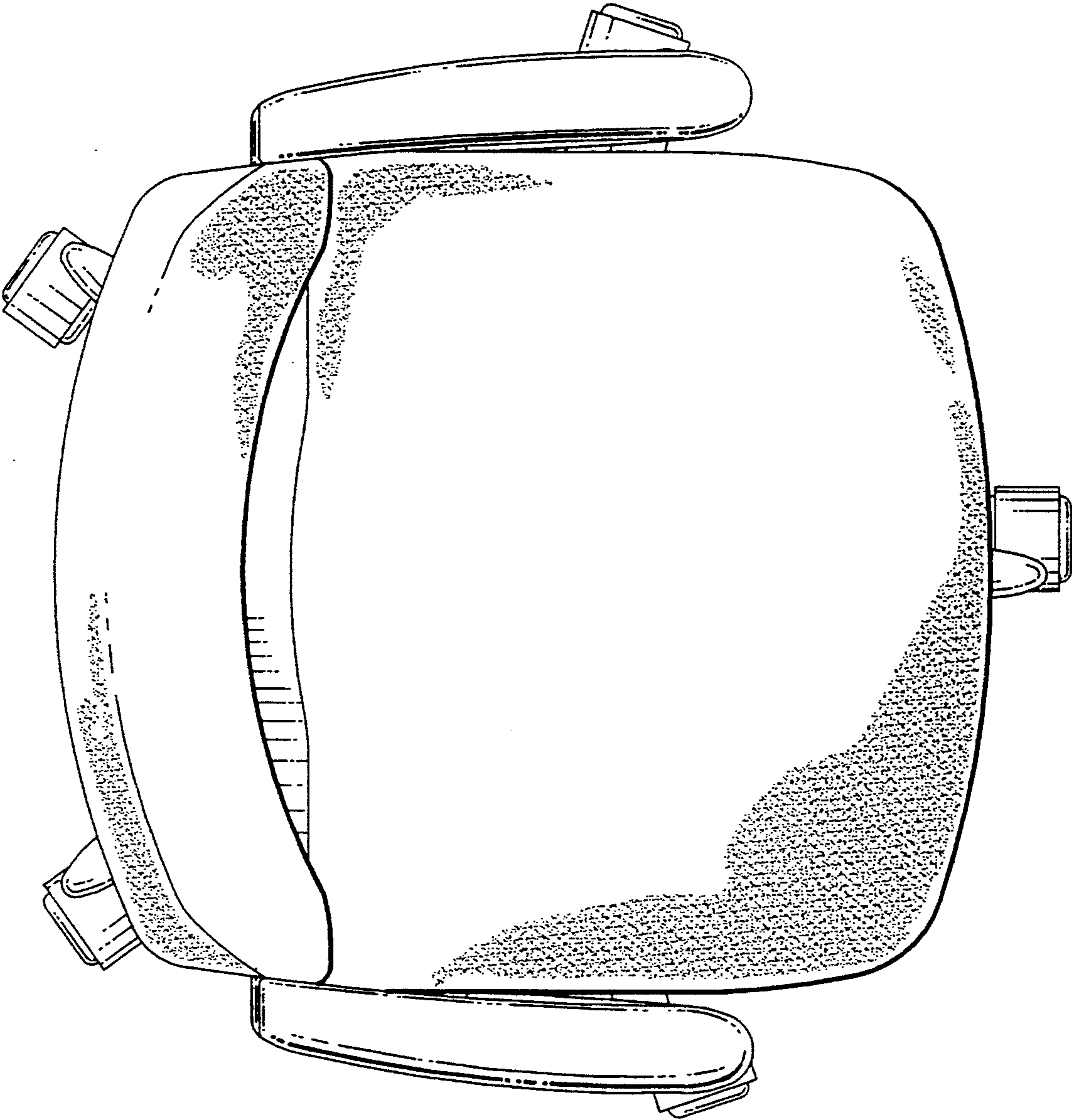


FIG. 5

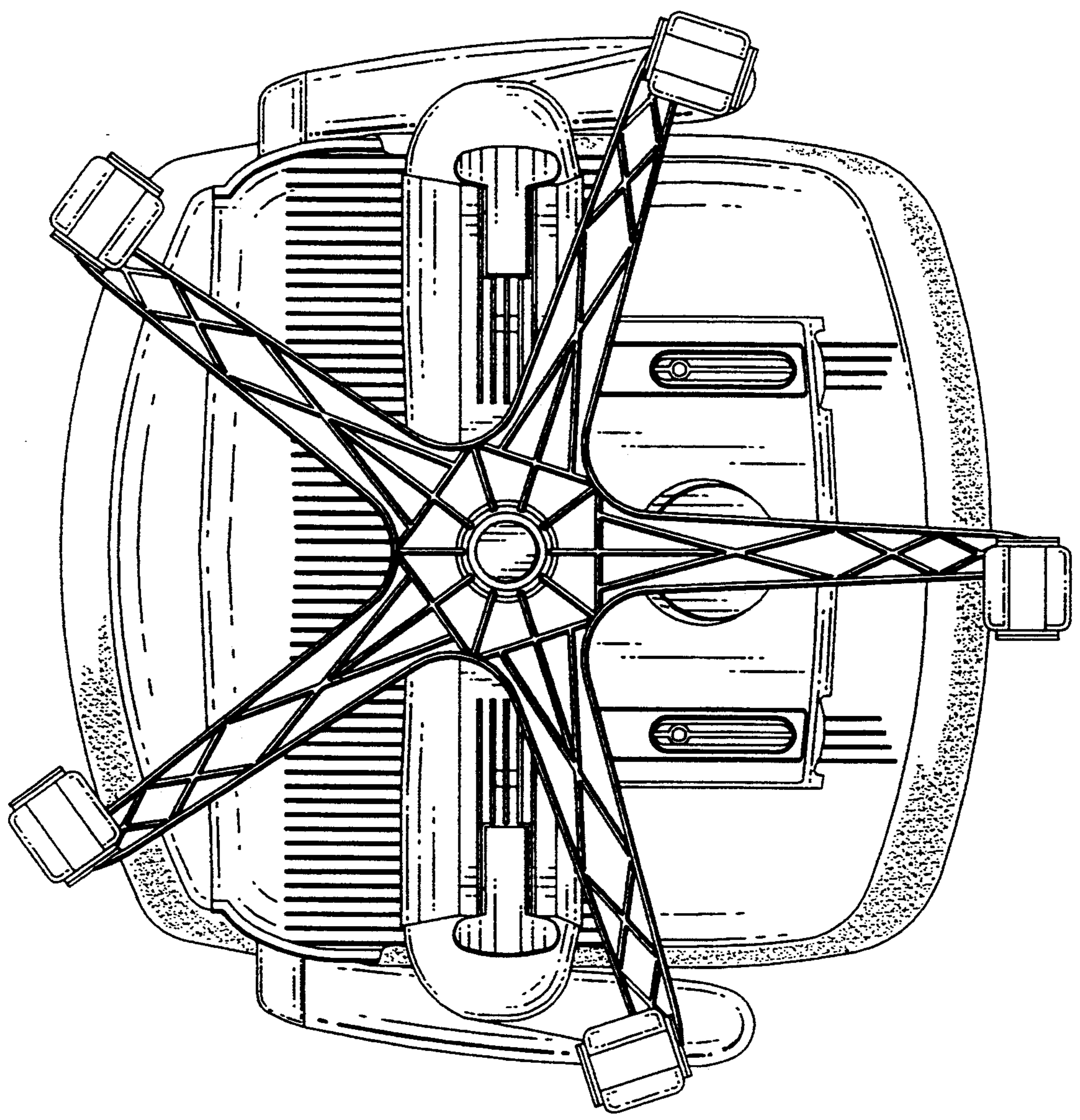


FIG. 6

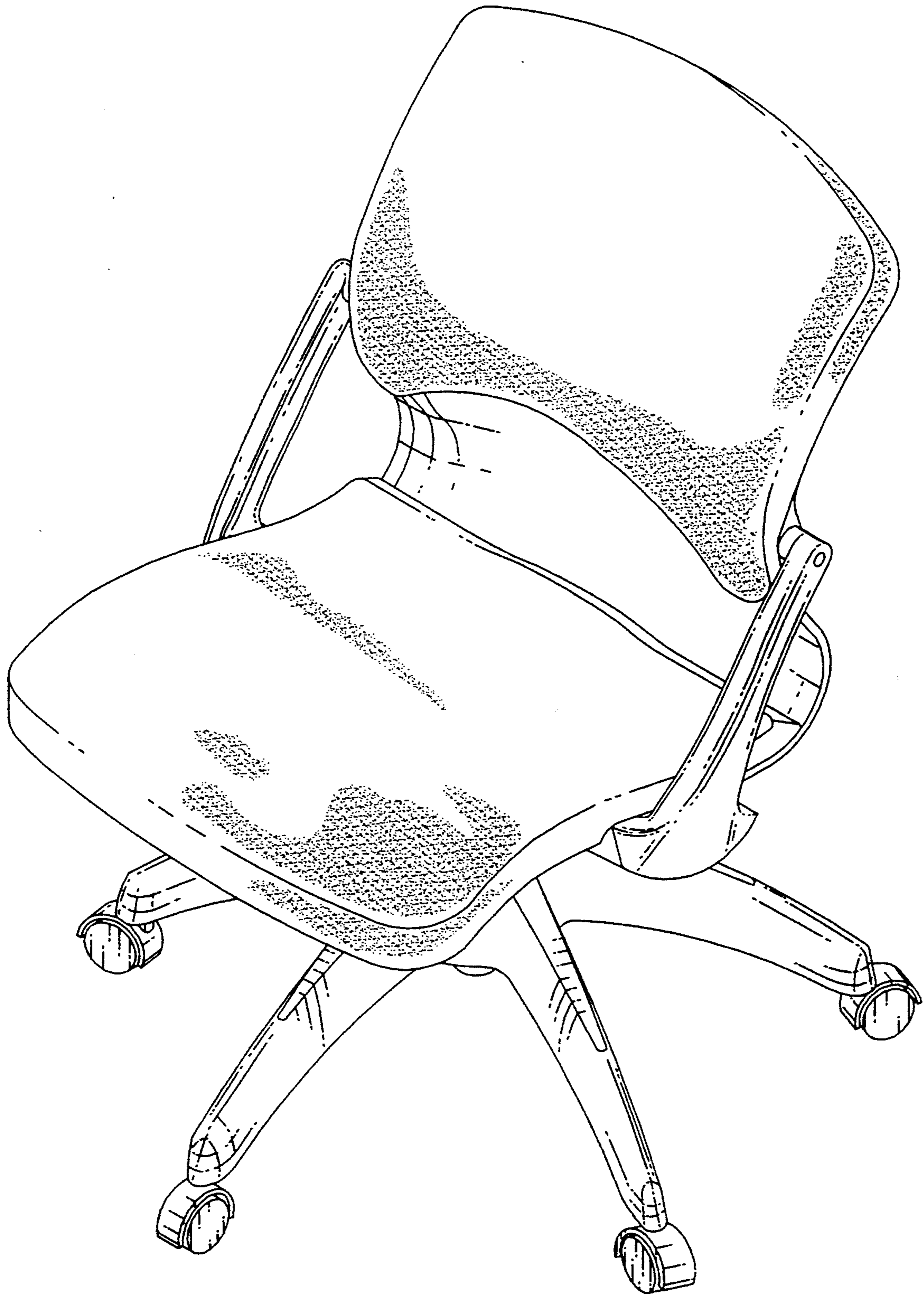


FIG. 7

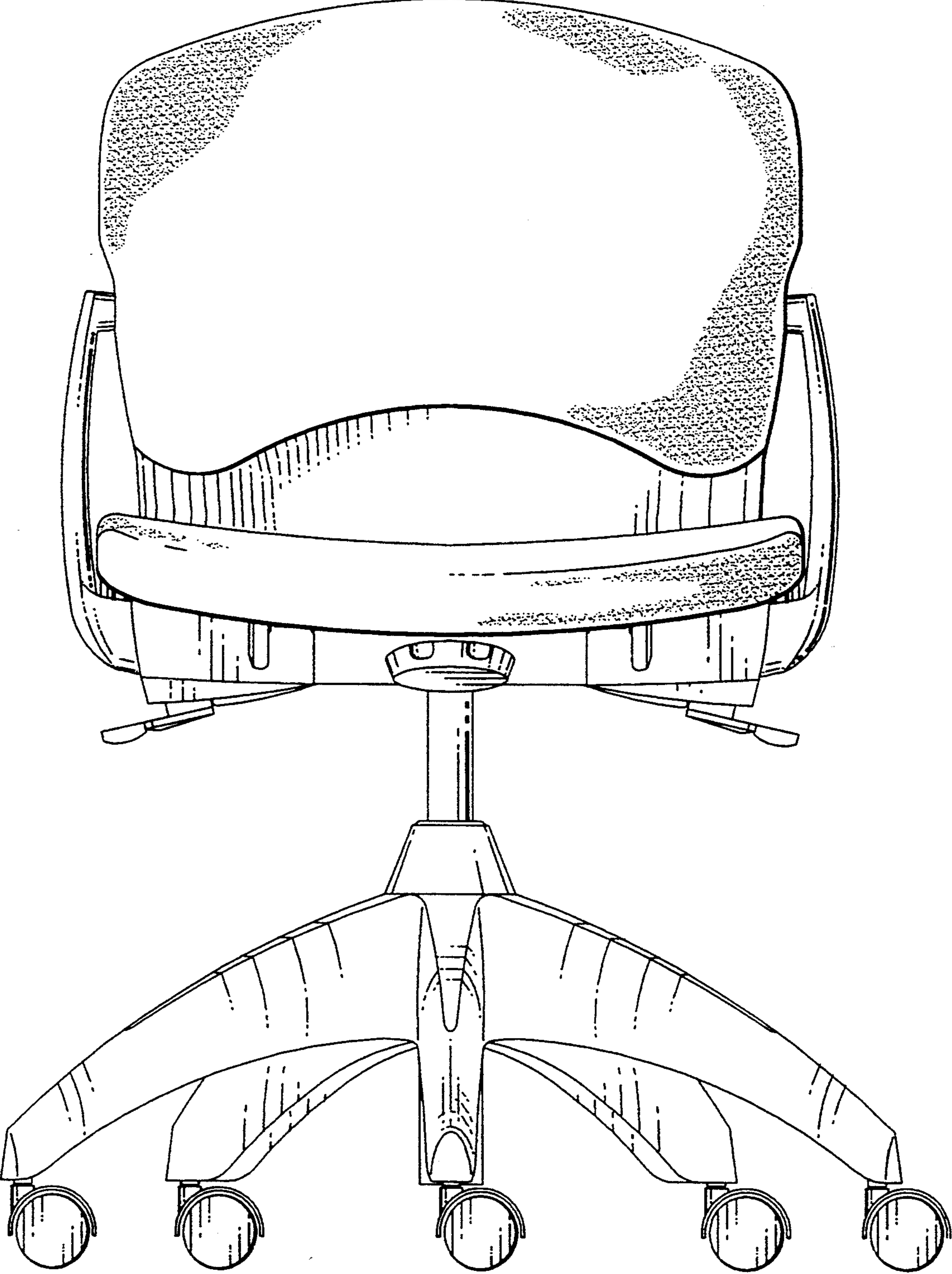


FIG. 8

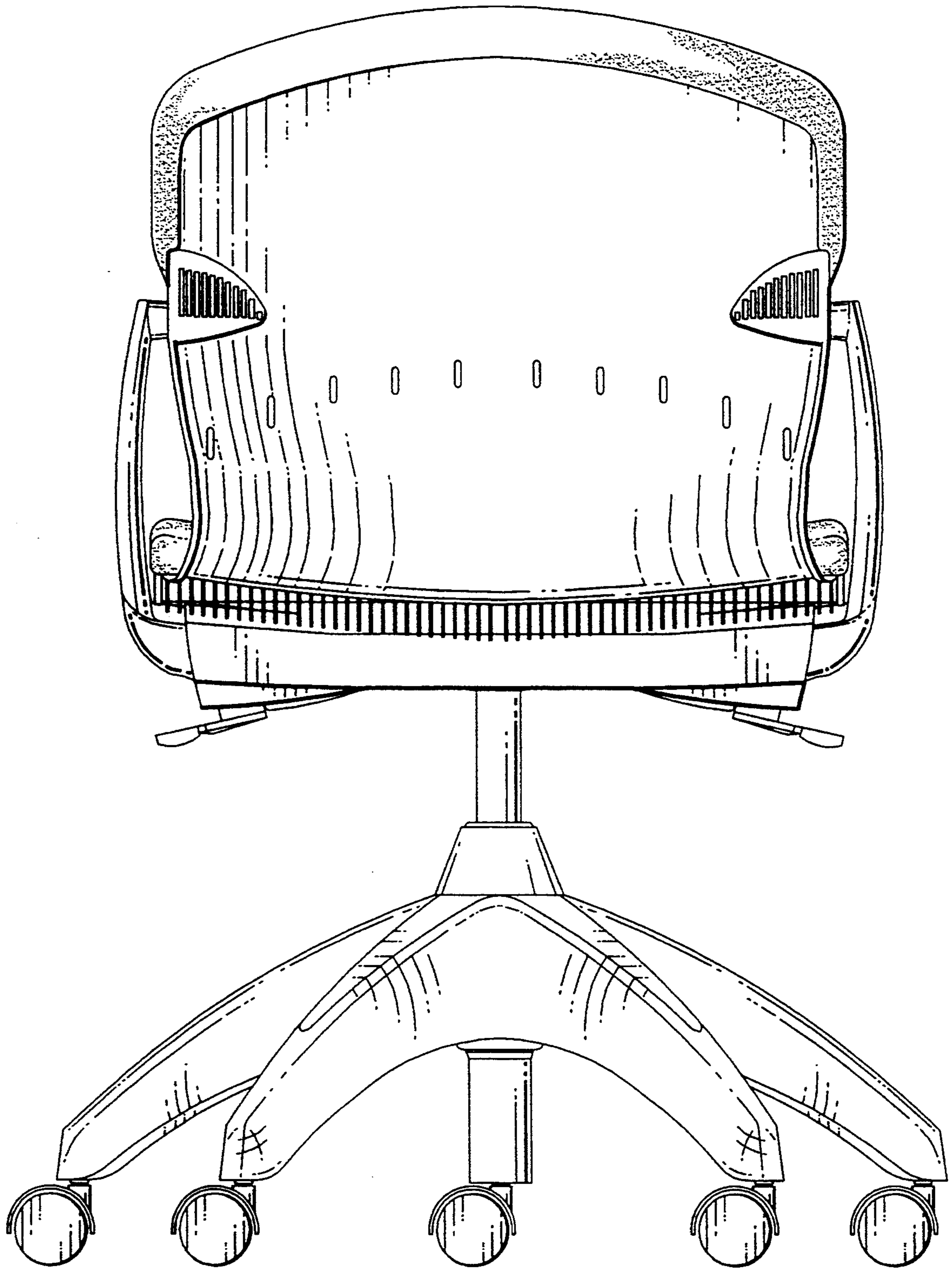


FIG. 9

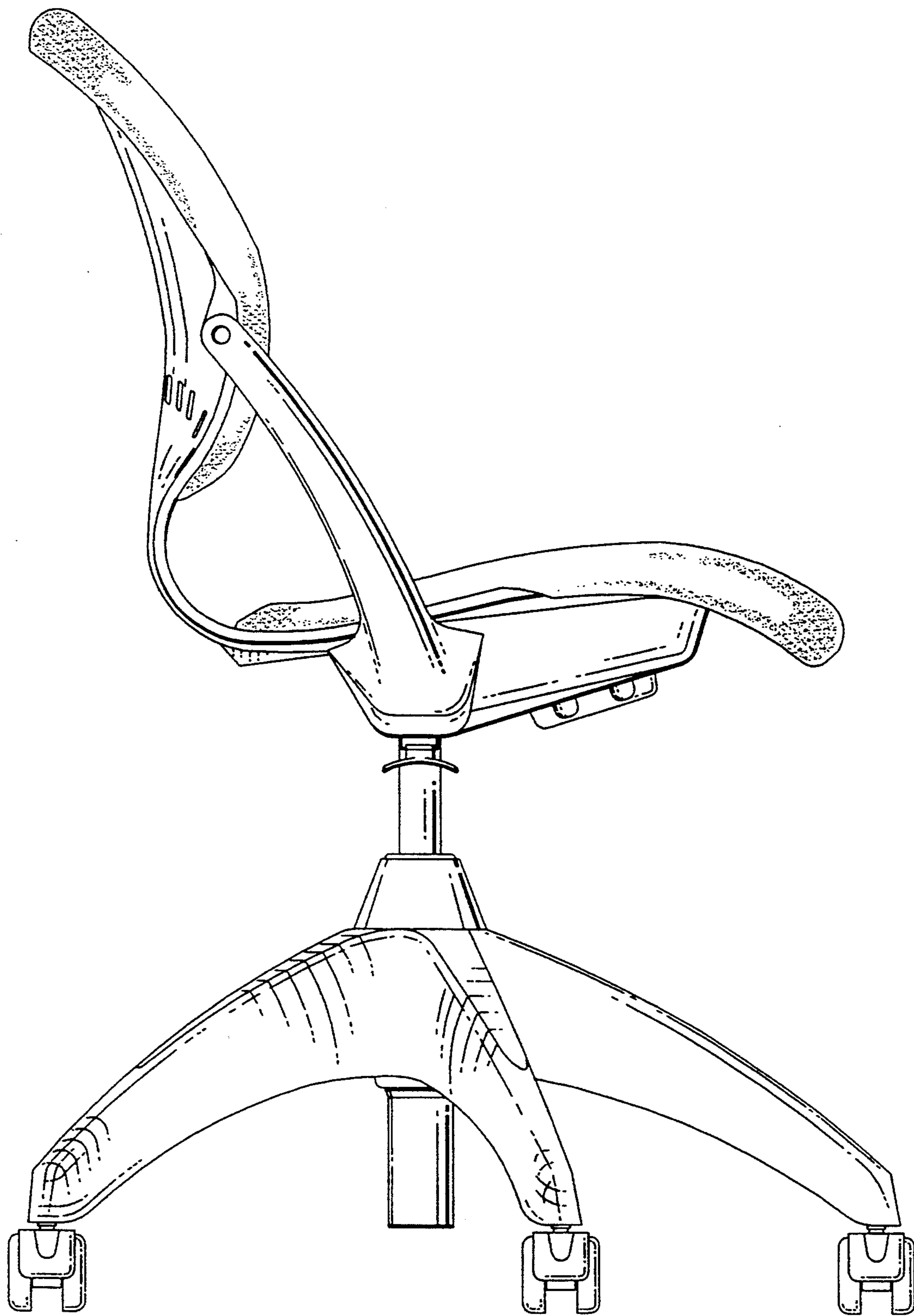


FIG. 10

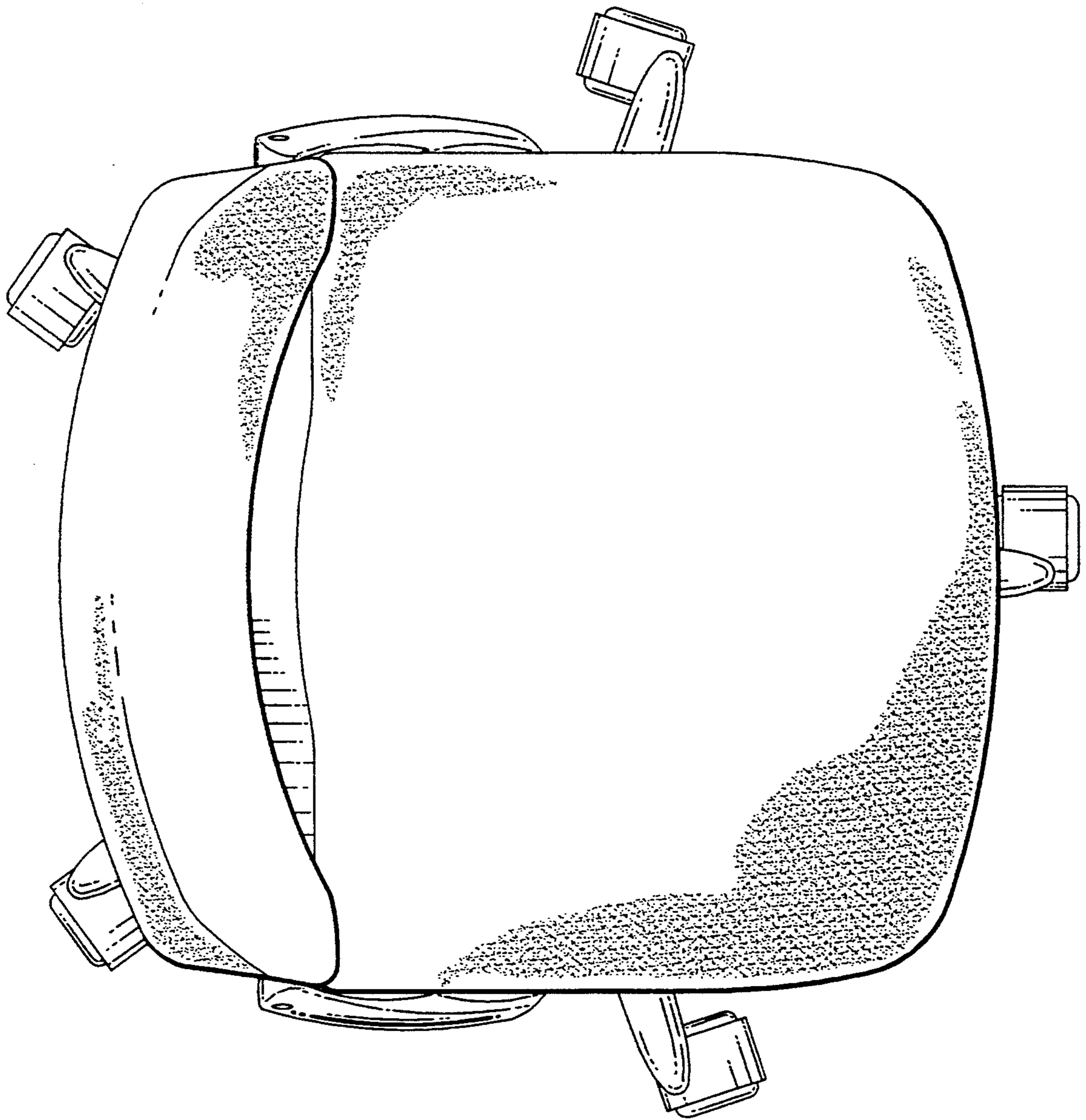


FIG. 11

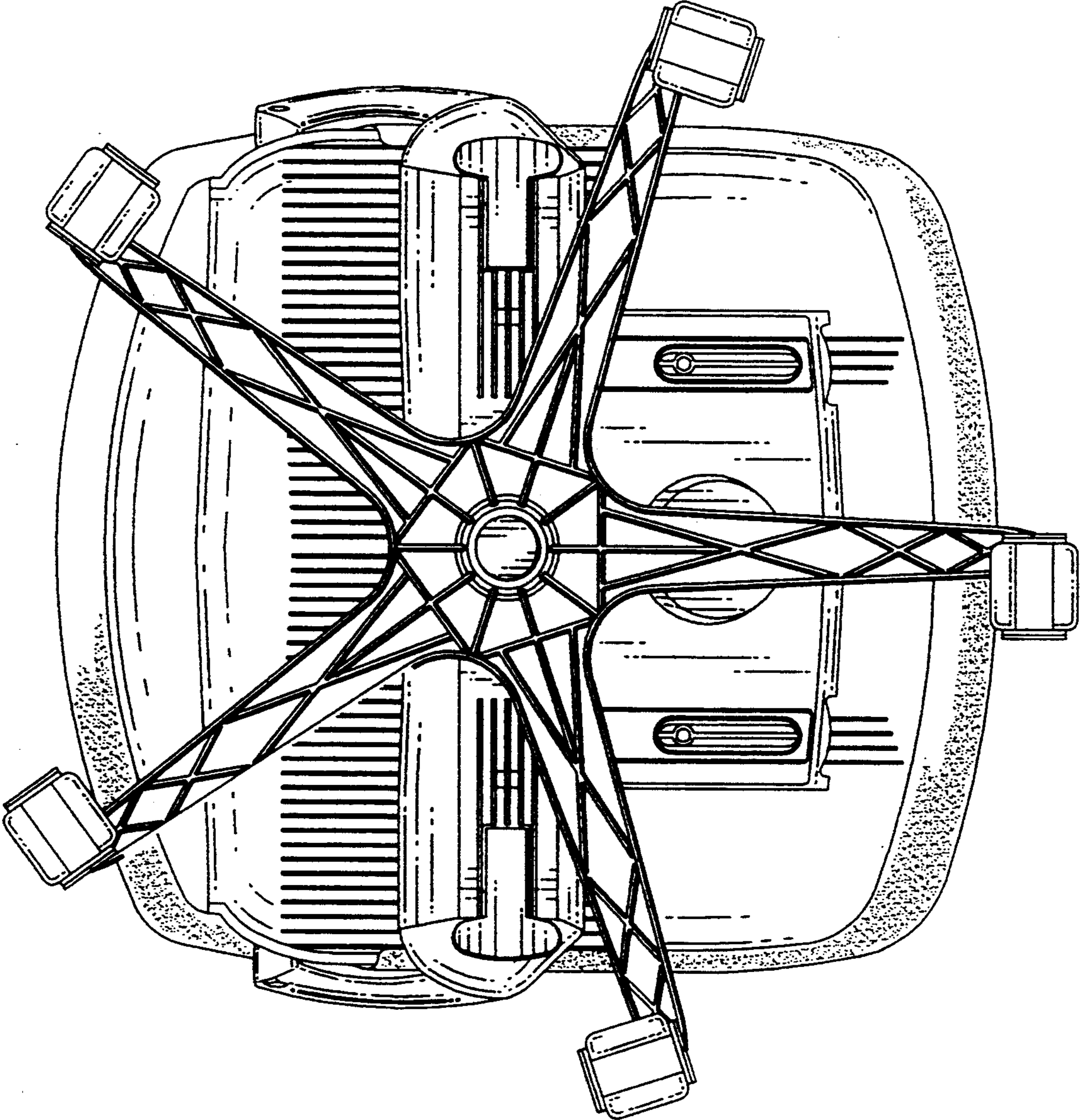


FIG. 12