



US00D351066S

United States Patent [19]

[11] Patent Number: **Des. 351,066**

Libman

[45] Date of Patent: **** Oct. 4, 1994**

[54] DISPENSING BRISTLE SUPPORT FOR ATTACHMENT TO A BOTTLE

[75] Inventor: **Robert J. Libman**, Champaign, Ill.

[73] Assignee: **The Libman Company**, Arcola, Ill.

[**] Term: **14 Years**

[21] Appl. No.: **825,856**

[22] Filed: **Jan. 27, 1992**

[52] U.S. Cl. **D4/199; D4/114; D9/436**

[58] Field of Search **D4/114, 116, 138, 199; D9/338, 436; 401/190, 268, 271-272, 275, 280-281, 288, 291**

[56] References Cited

U.S. PATENT DOCUMENTS

D. 197,399	1/1964	Gattone	D4/114
D. 208,174	7/1967	Carveth	D9/338
2,281,367	4/1942	Moll	401/291 X

FOREIGN PATENT DOCUMENTS

870164 6/1961 United Kingdom 401/288

Primary Examiner—Wallace R. Burke

Assistant Examiner—Lavone D. Tabor

Attorney, Agent, or Firm—Marshall, O'Toole, Gerstein, Murray & Borun

[57] CLAIM

The ornamental design for a dispensing bristle support for attachment to a bottle, as shown and described.

DESCRIPTION

FIG. 1 is a front, left side, and top perspective view showing my new dispensing bristle support for attachment to a bottle;

FIG. 2 is a front elevational view thereof;

FIG. 3 is a left side elevational view thereof, the right side being a mirror image;

FIG. 4 is a rear elevational view thereof;

FIG. 5 is a top plan view thereof; and,

FIG. 6 is a bottom plan view thereof.

The broken line showing of bristles is for illustrative purposes only and forms no part of the claimed design.

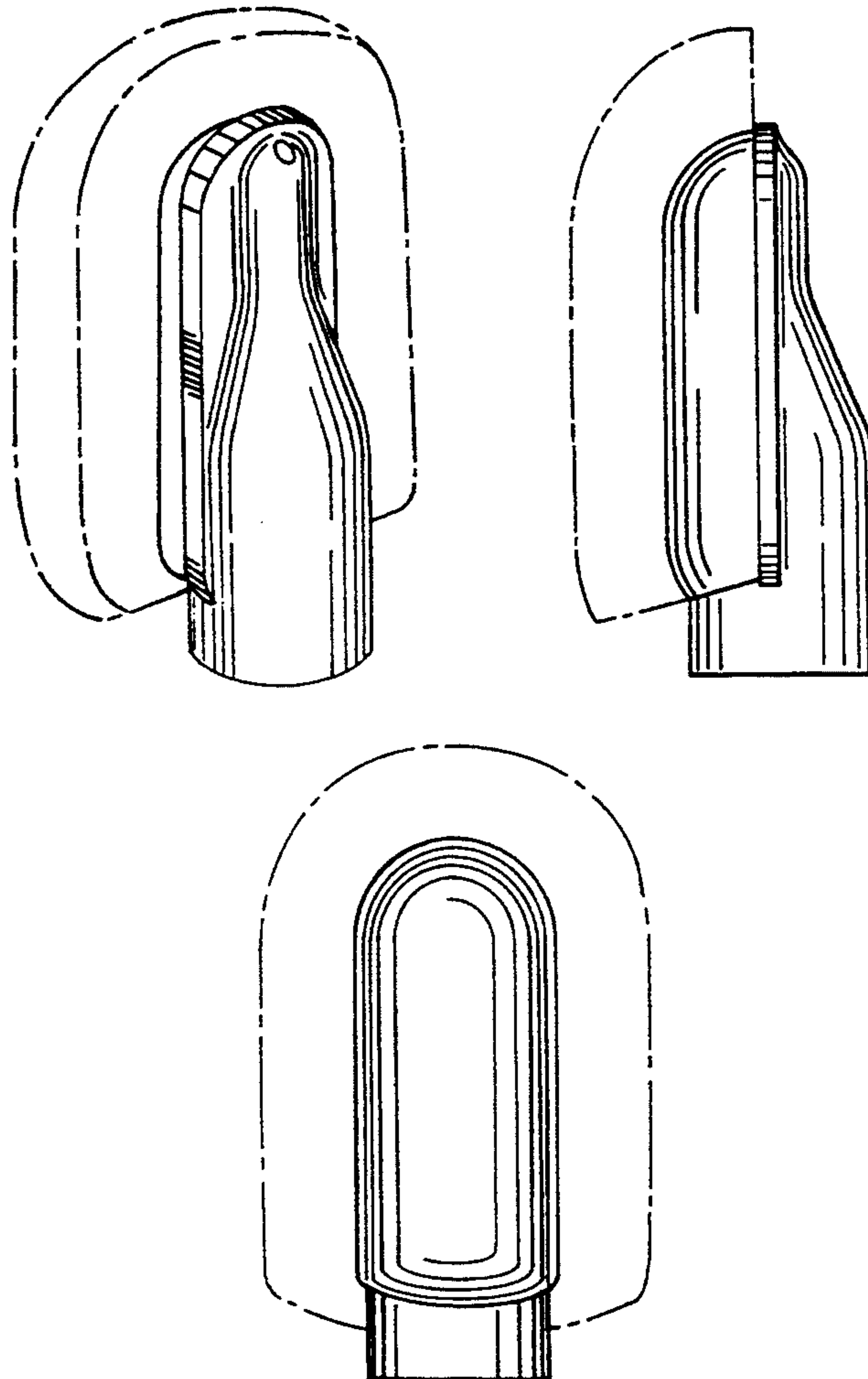


FIG. 1

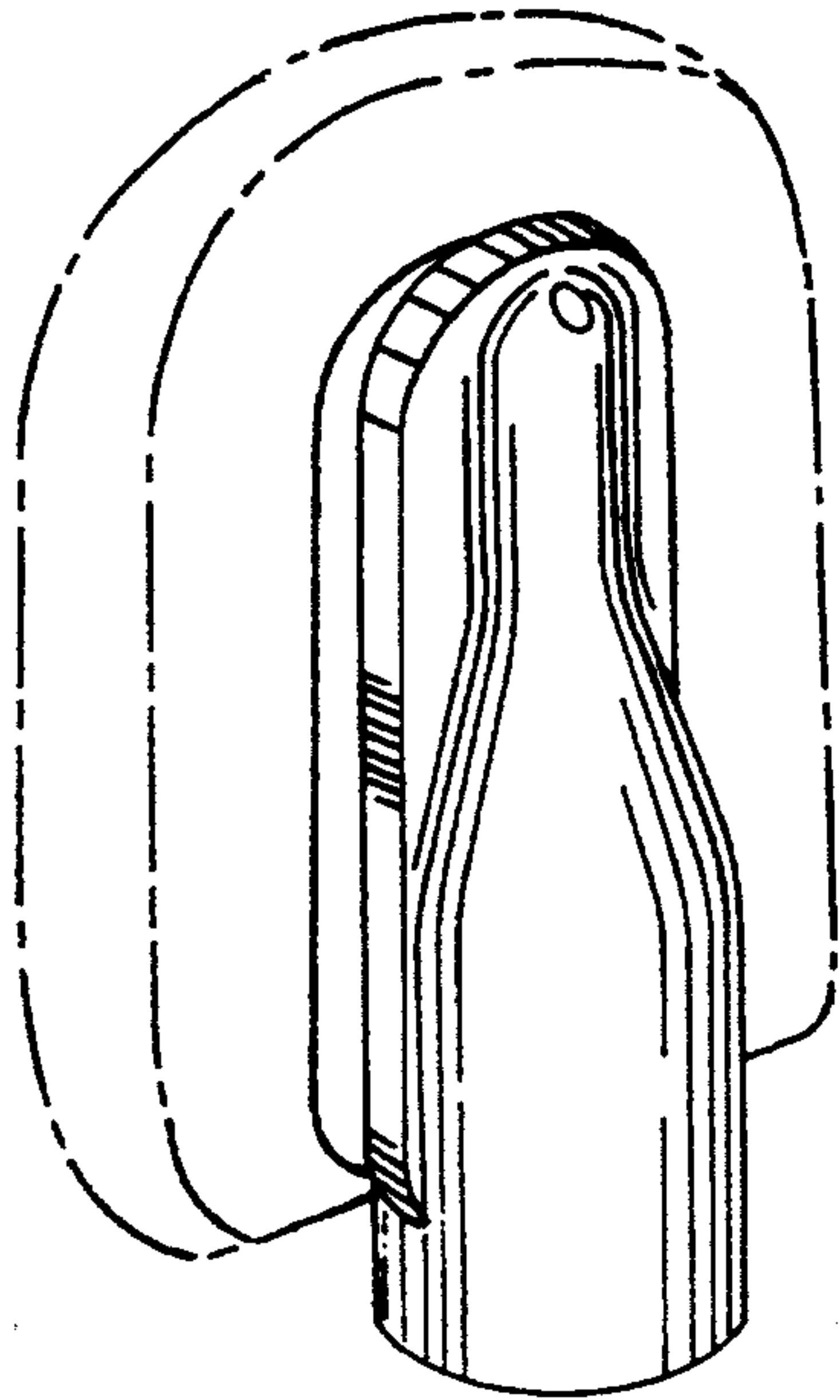


FIG. 2

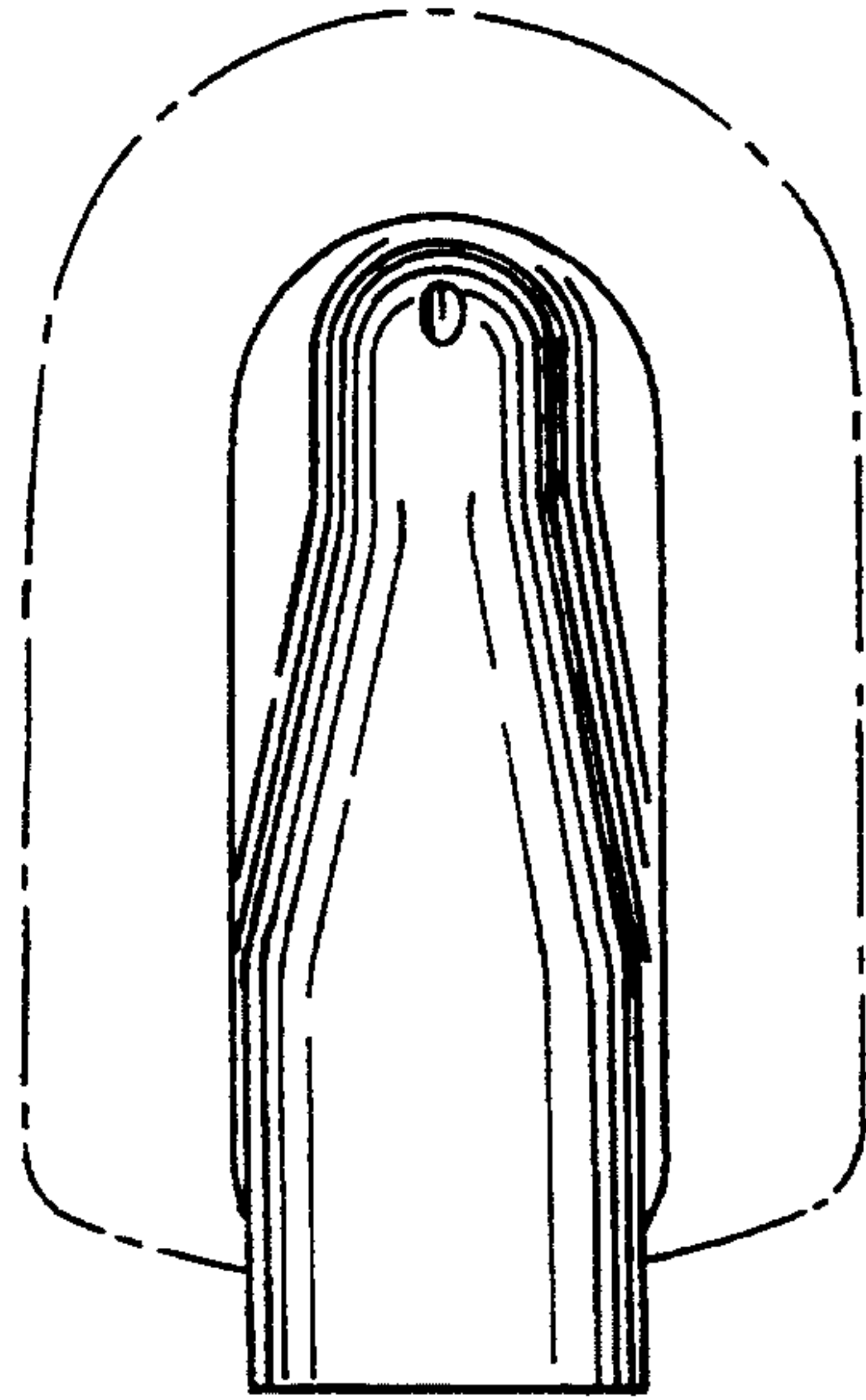


FIG. 3

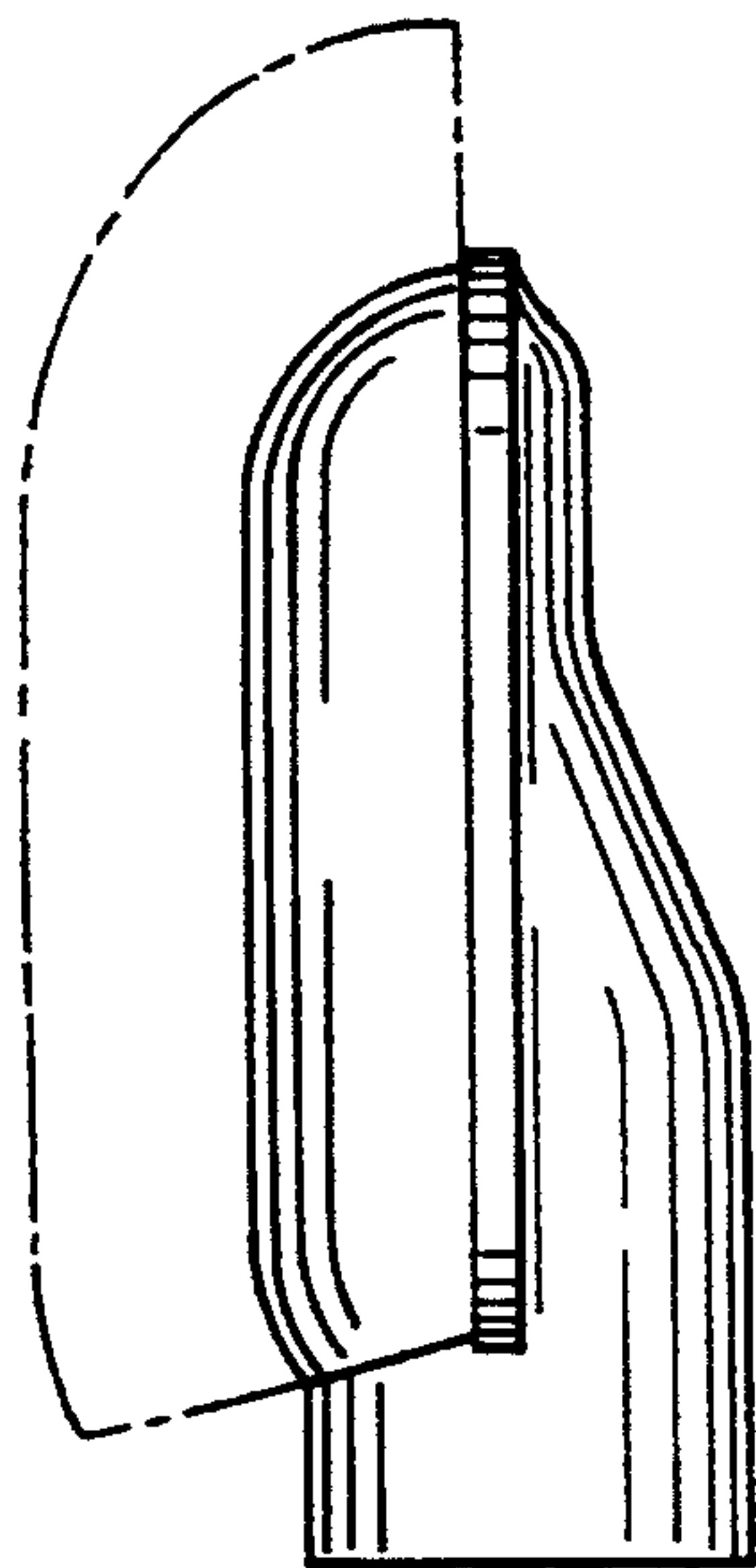


FIG. 4

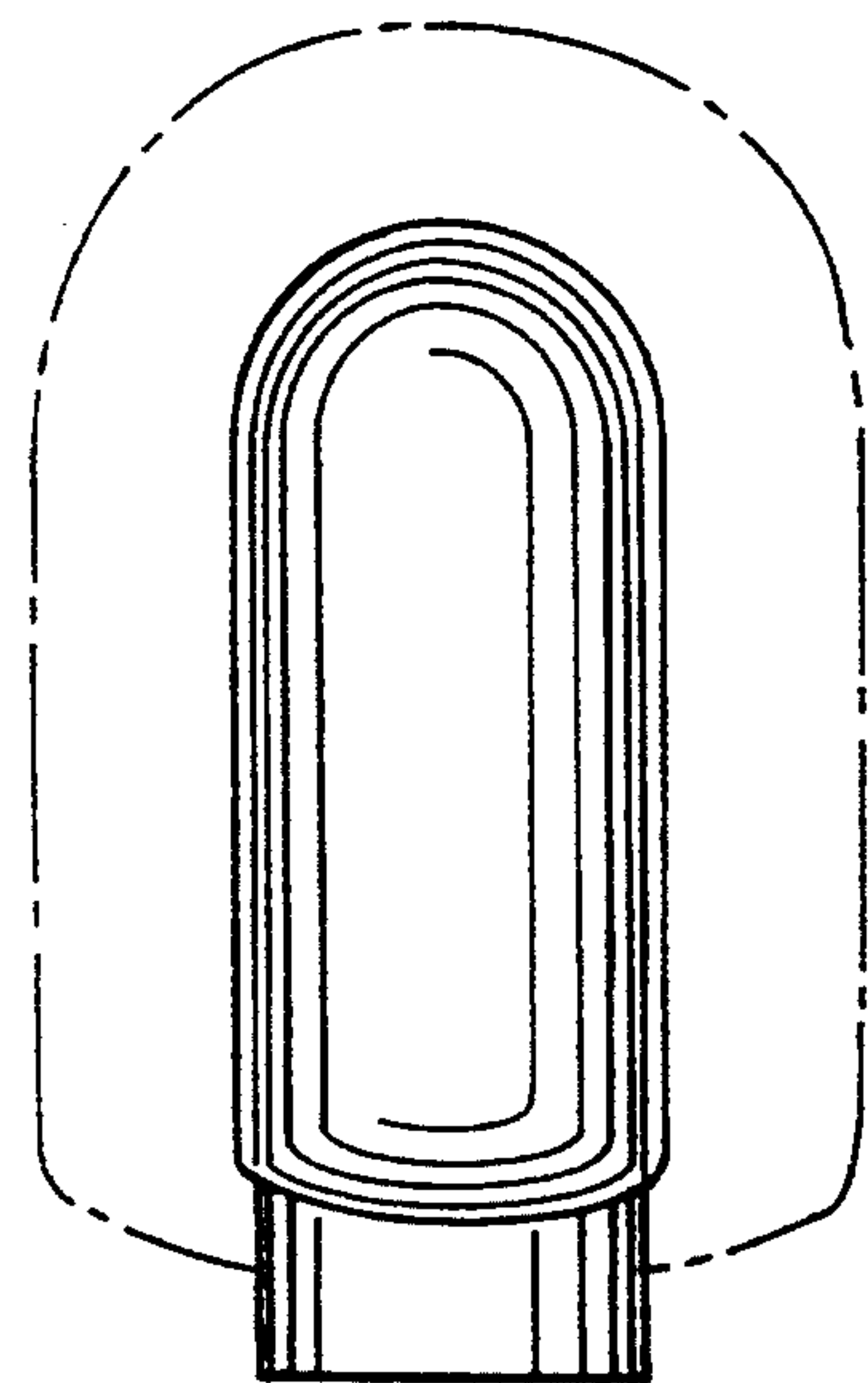


FIG. 5

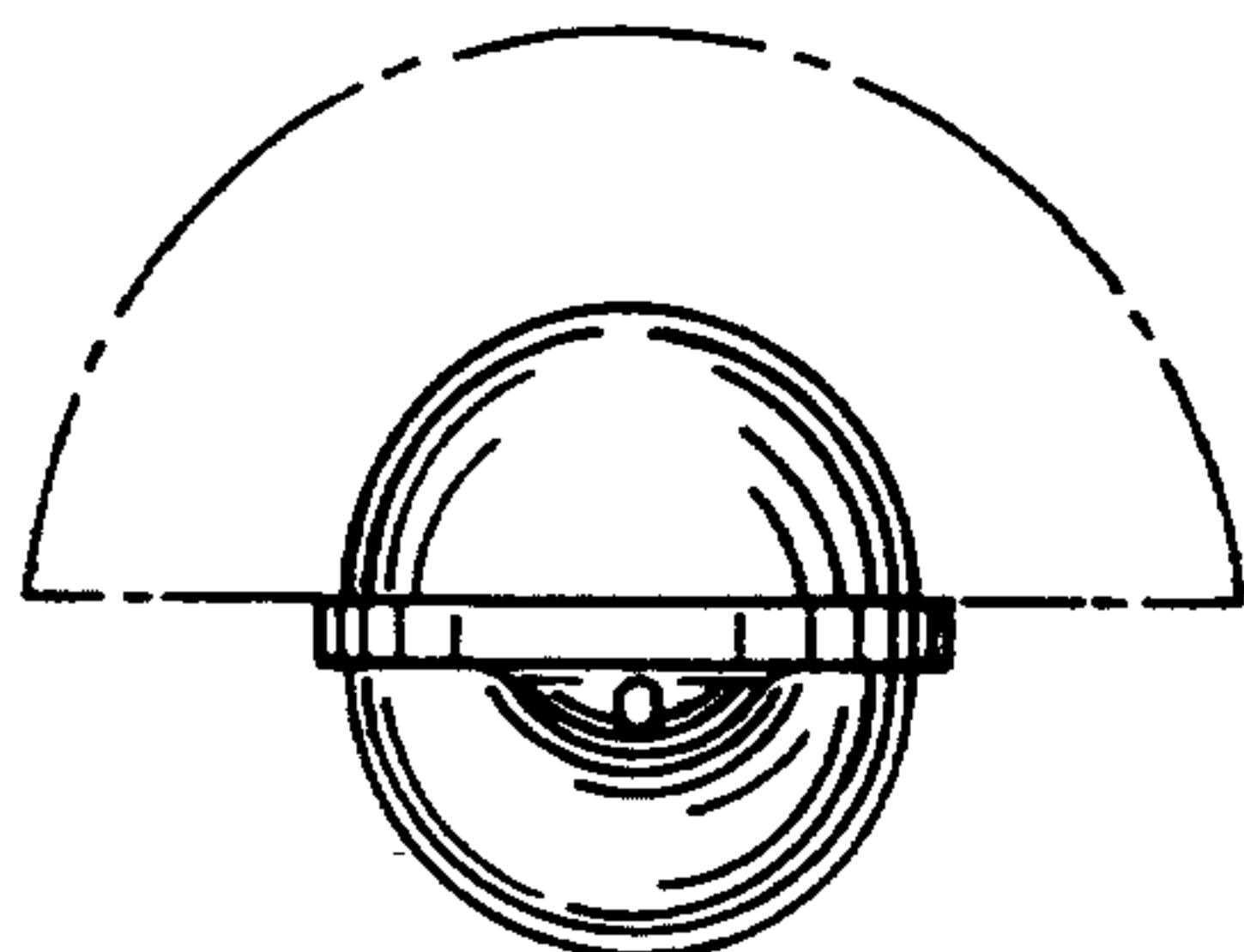


FIG. 6

