



US00D351063S

# United States Patent [19]

[11] Patent Number: **Des. 351,063**

**Fenelon**

[45] Date of Patent: **\*\* Oct. 4, 1994**

- [54] **BULK MATERIAL DISPENSING HOUSING**
- [75] Inventor: **Terrance P. Fenelon**, Lilydale, Minn.
- [73] Assignee: **Spec Mix, Inc.**, Vadnais Heights, Minn.
- [\*\*] Term: **14 Years**
- [21] Appl. No.: **12,938**
- [22] Filed: **Sep. 14, 1993**
- [52] U.S. Cl. .... **D3/304; D15/138**
- [58] Field of Search ..... **D3/304-314; 206/503-507, 509, 514, 515, 517, 518; 220/890, DIG. 12; 222/185, 460, 462; D15/138**

*Attorney, Agent, or Firm*—Wells, St. John, Roberts, Gregory & Matkin

### [57] CLAIM

The ornamental design for a bulk material dispensing housing, as shown and described.

### DESCRIPTION

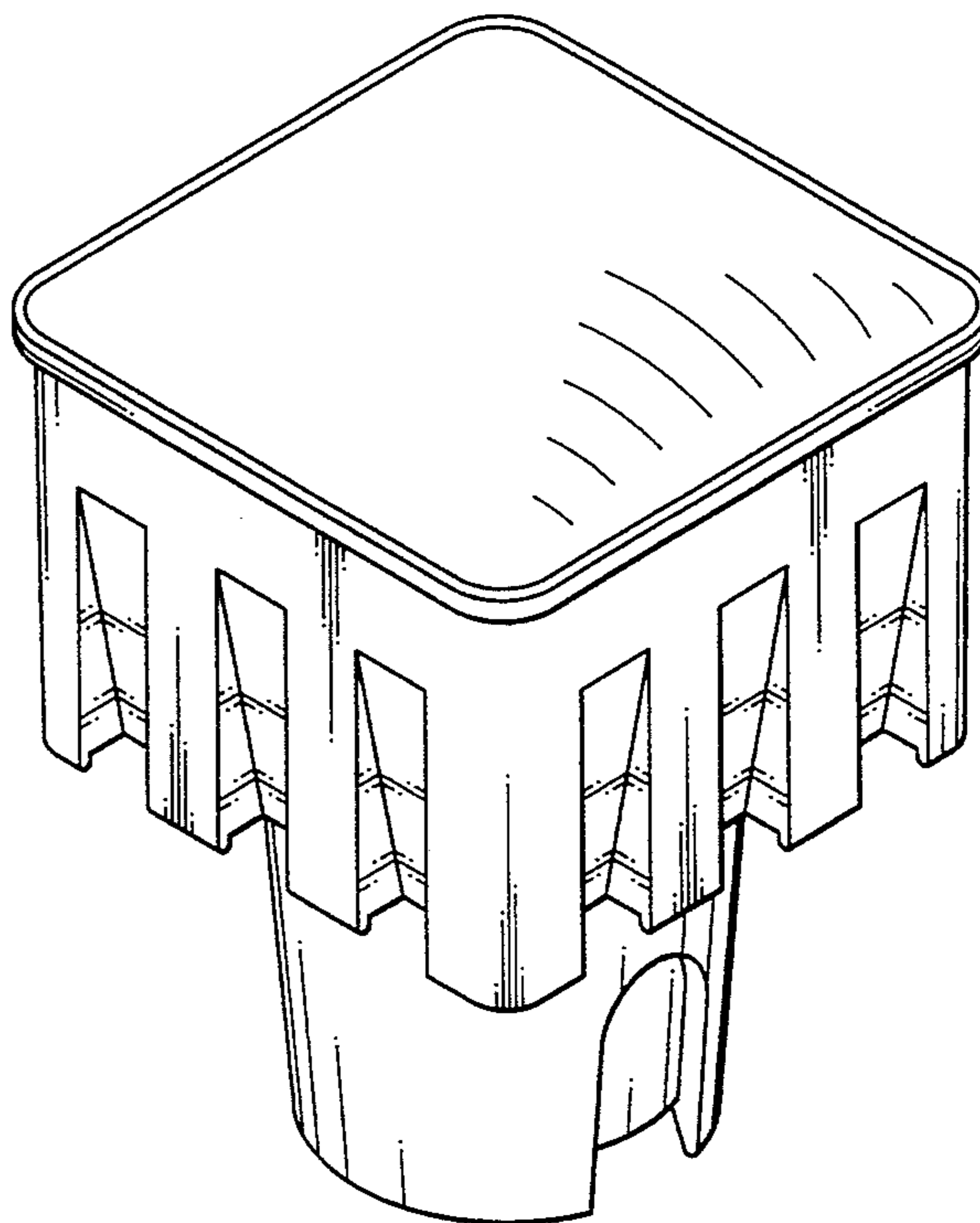
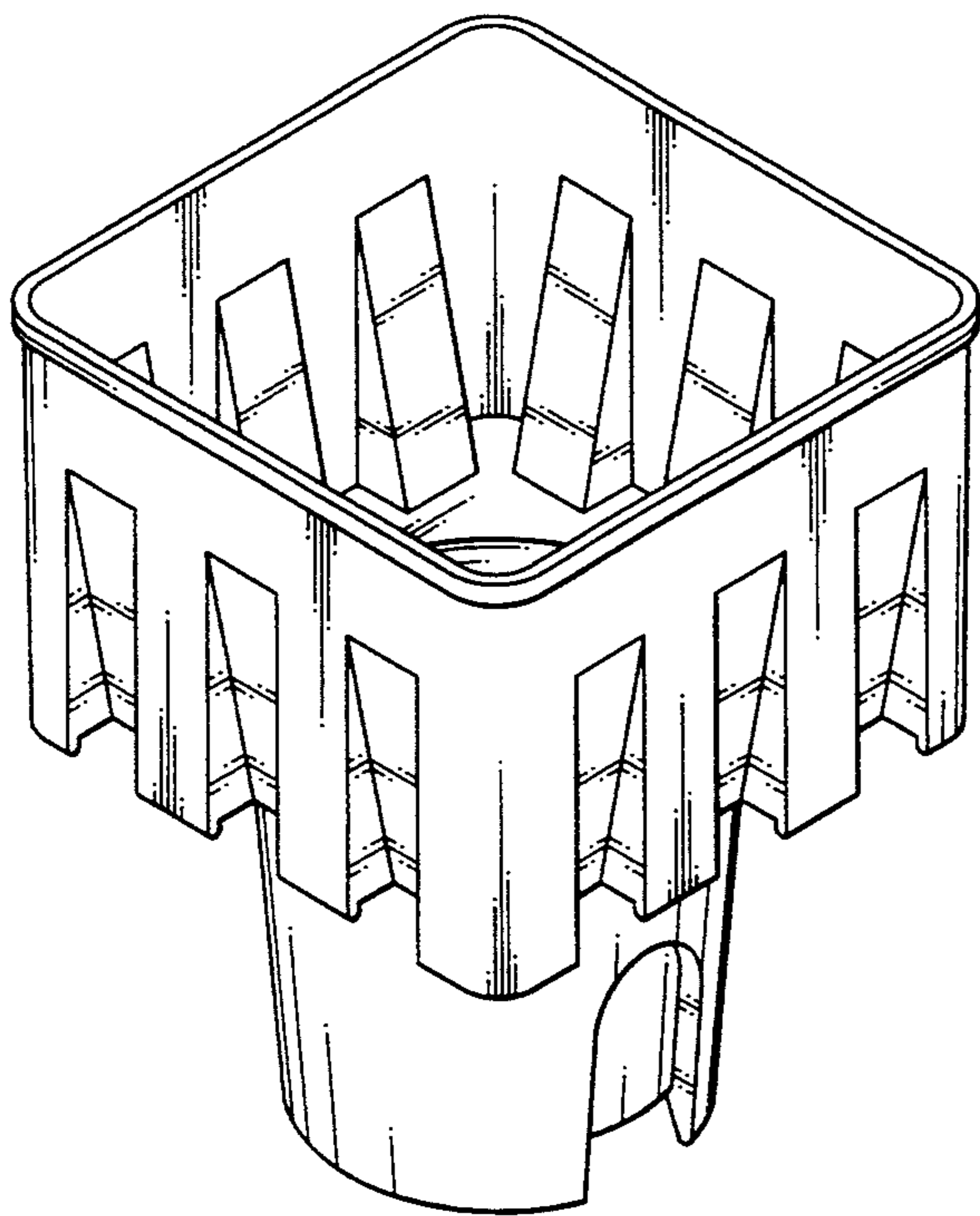
FIG. 1 is a perspective view of a bulk material dispensing housing showing my new design according to a first embodiment without a lid;  
 FIG. 2 is a top view thereof;  
 FIG. 3 is a bottom view thereof;  
 FIG. 4 is a front view thereof;  
 FIG. 5 is a rear view thereof, the two side views being substantially mirror images of the rear view;  
 FIG. 6 is a cross-sectional view taken in the direction of the arrows along line 6—6 of FIG. 2;  
 FIG. 7 is a perspective view of a bulk material container showing my new design according to a second embodiment with a removable lid;  
 FIG. 8 is a top view thereof;  
 FIG. 9 is a bottom view thereof;  
 FIG. 10 is a front view thereof; and,  
 FIG. 11 is a rear view thereof, the two side views being substantially mirror images of the rear view.

### [56] References Cited

#### U.S. PATENT DOCUMENTS

D. 260,651	9/1981	Gibbons	.....	D15/138
2,396,346	3/1946	Roody, Jr.	.....	206/509 X
3,391,824	7/1968	Wiseman	.....	206/509
3,434,625	3/1969	Embry, Jr.	.....	206/518 X
3,759,416	9/1973	Constantine	.....	220/606 X
3,785,534	1/1974	Smith	.....	222/460

*Primary Examiner*—B. J. Bullock  
*Assistant Examiner*—Richelle Shelton



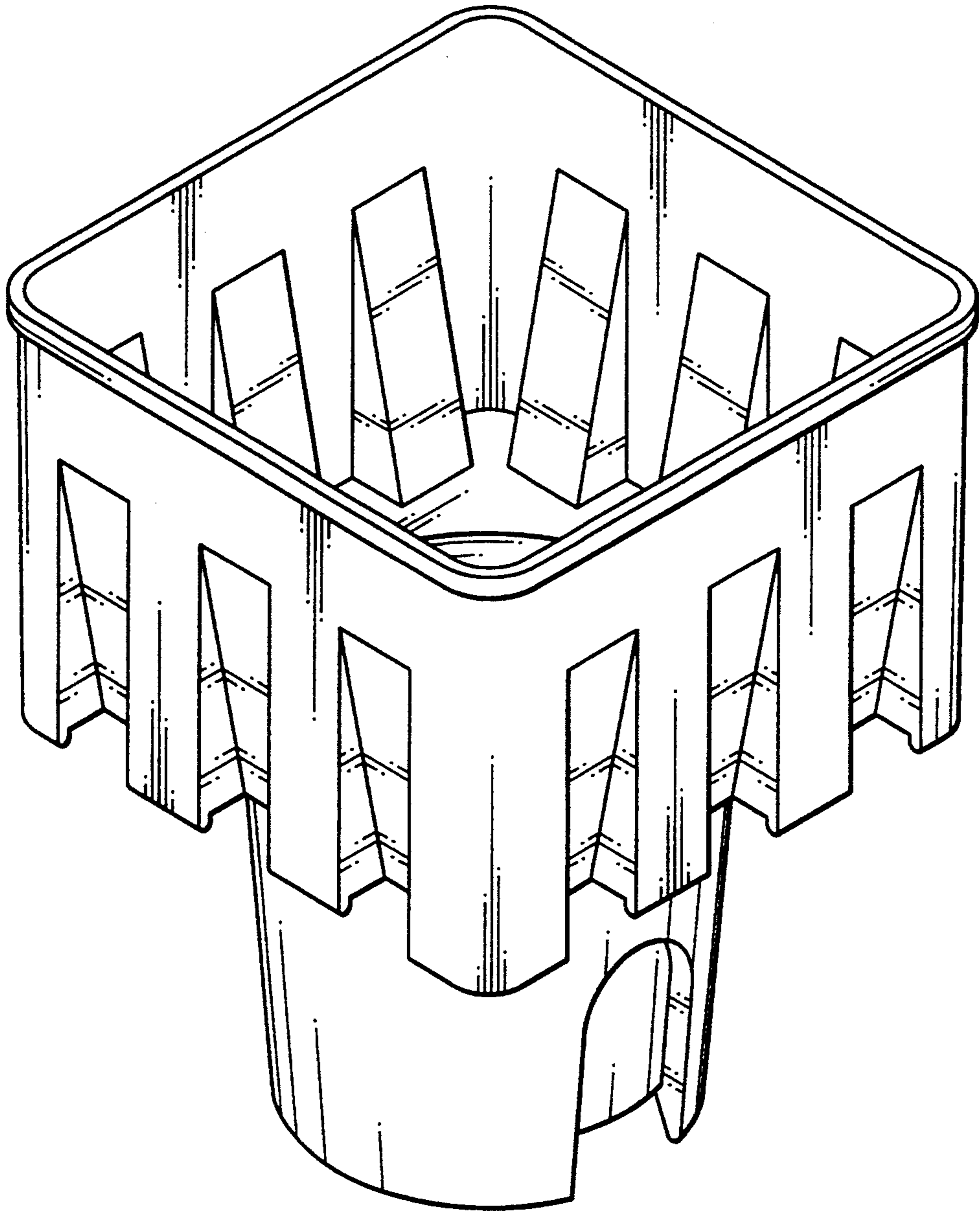
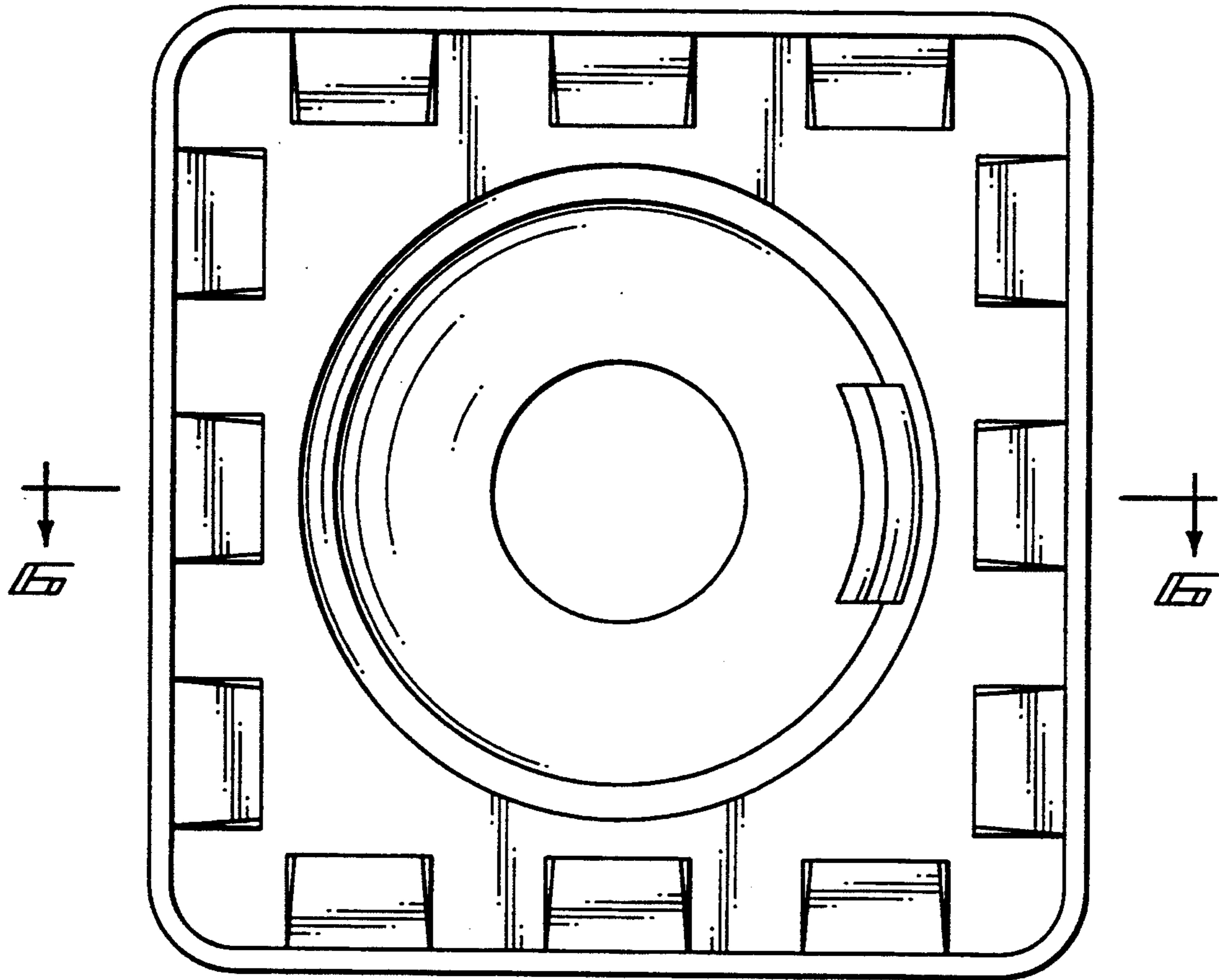


FIG. 1



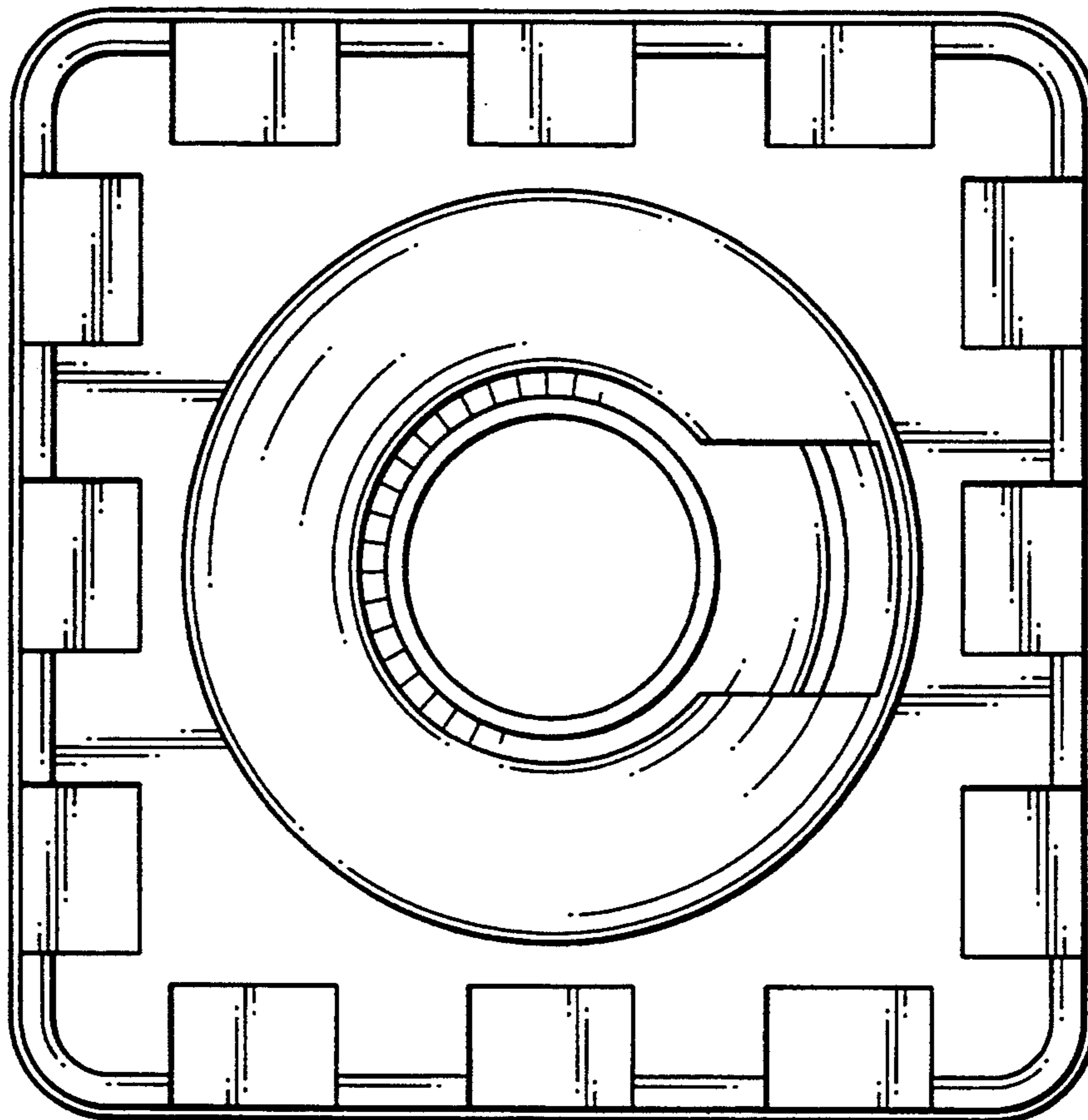
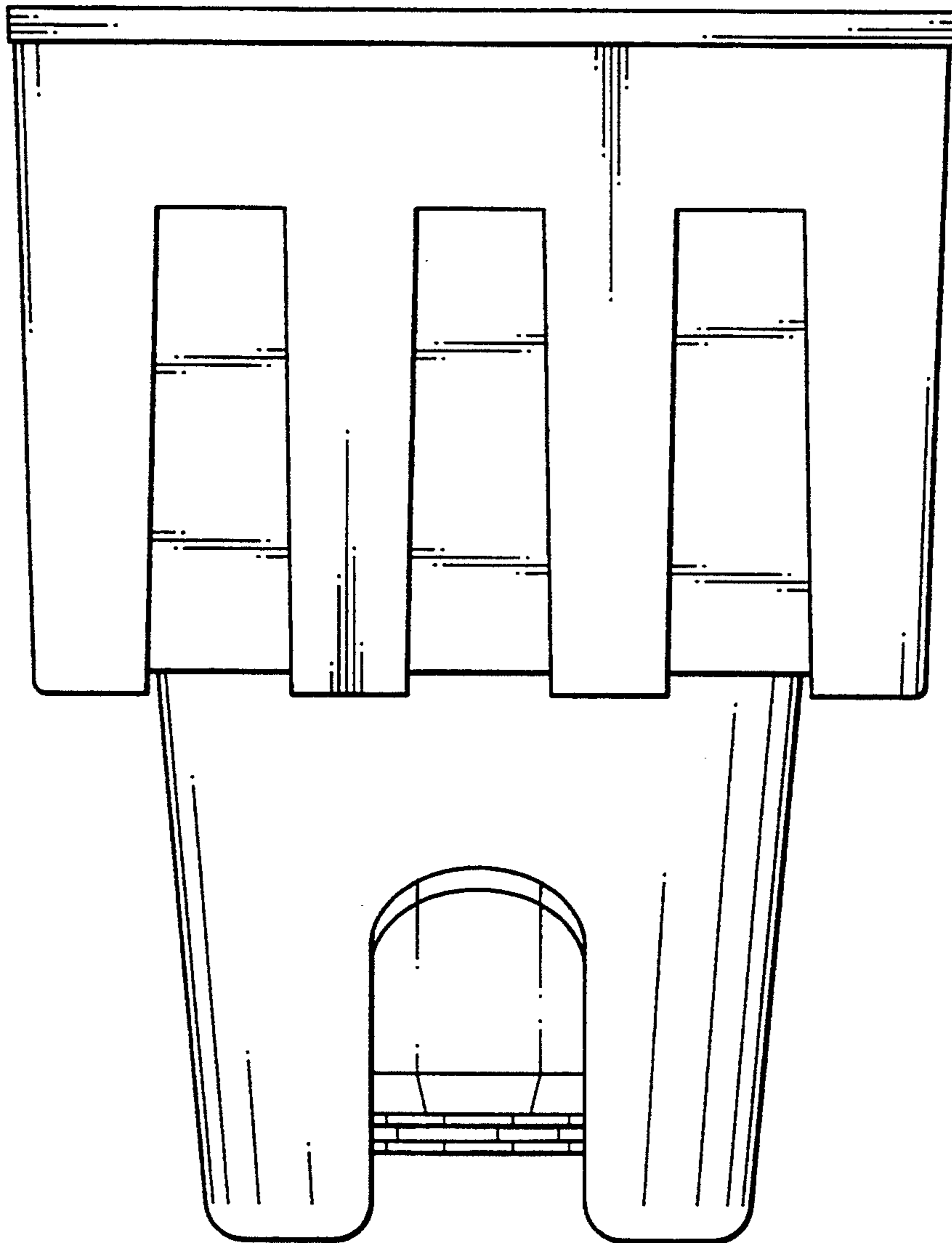


FIG. 3



*Fig. 4*

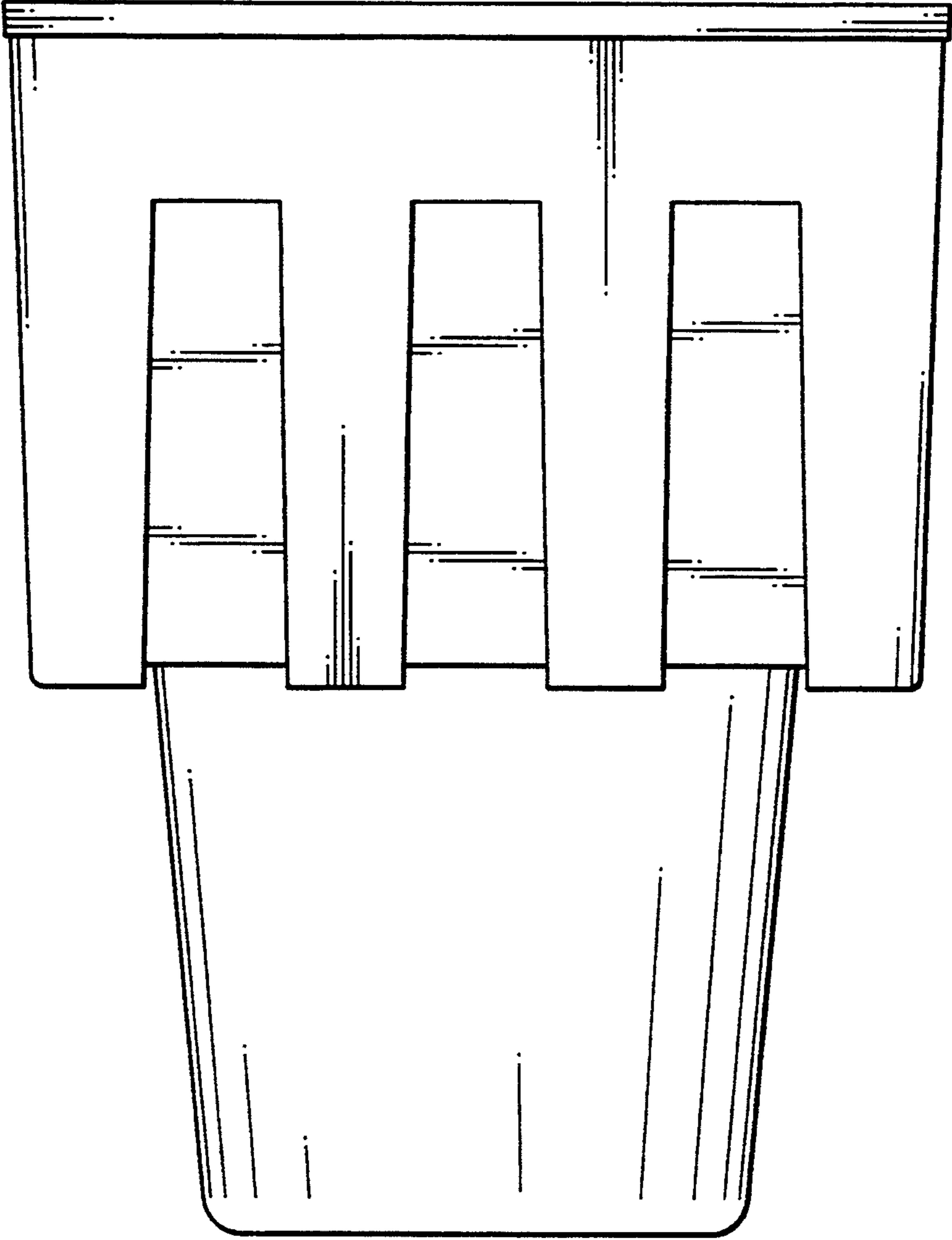


FIG. 5

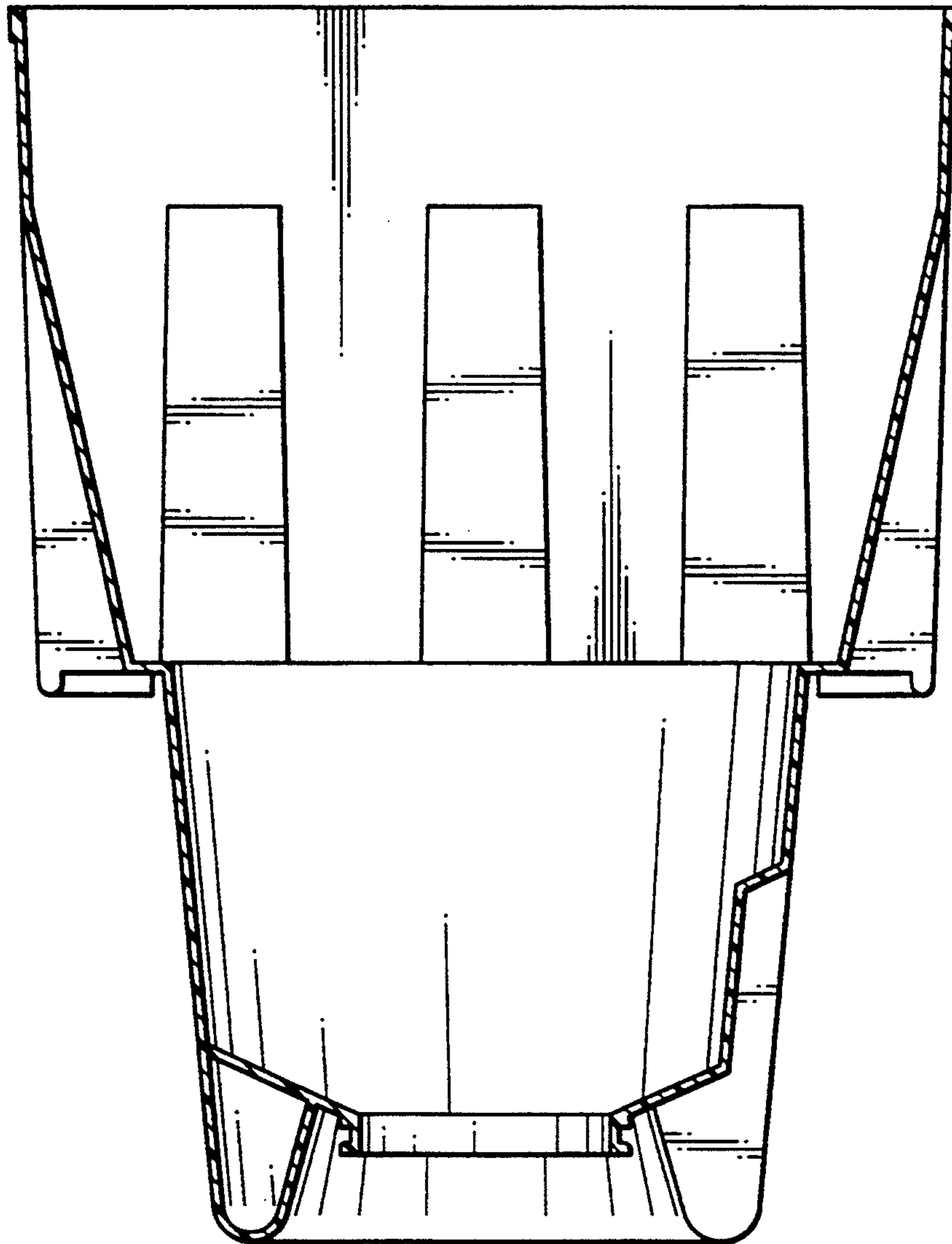


FIG. 6

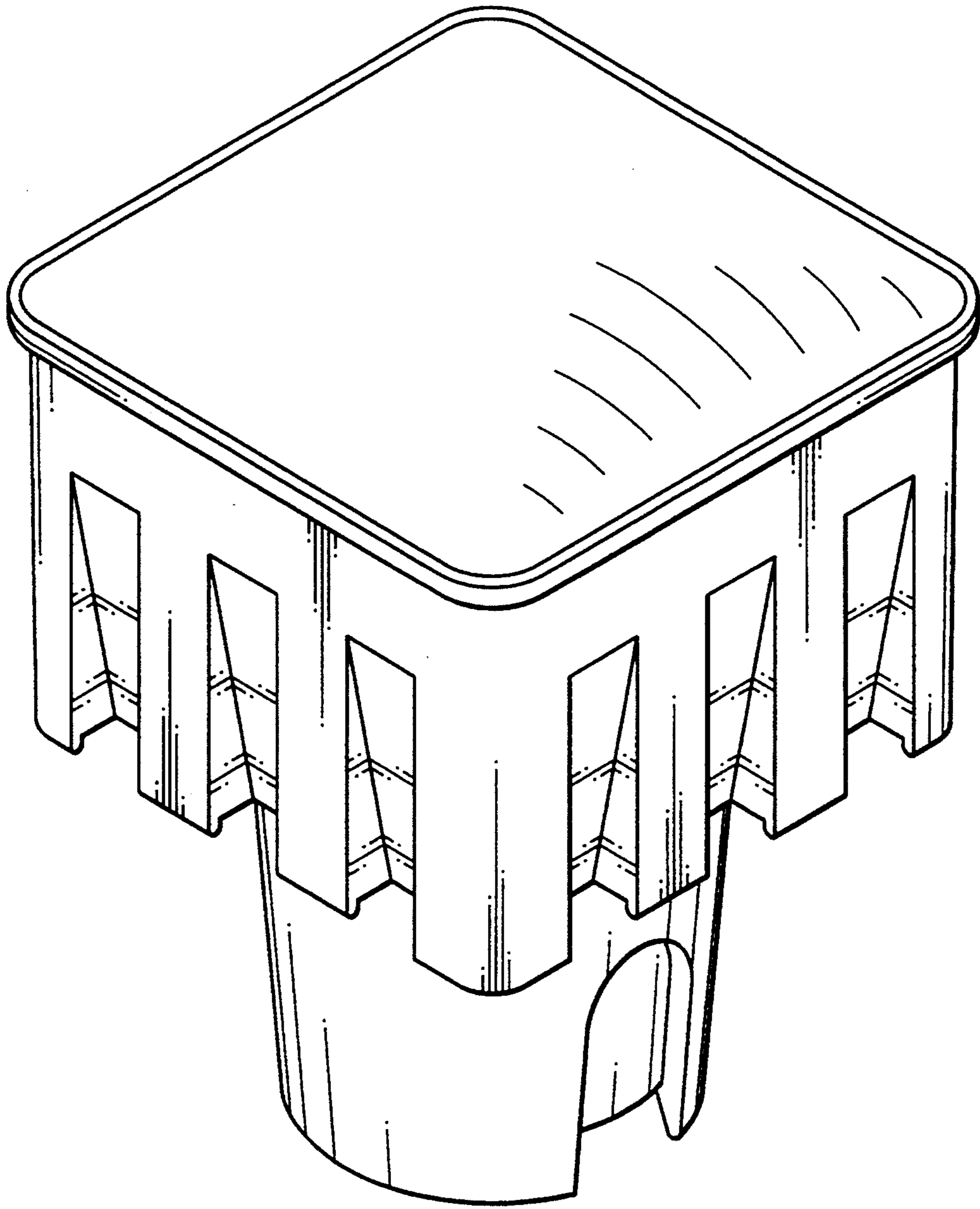
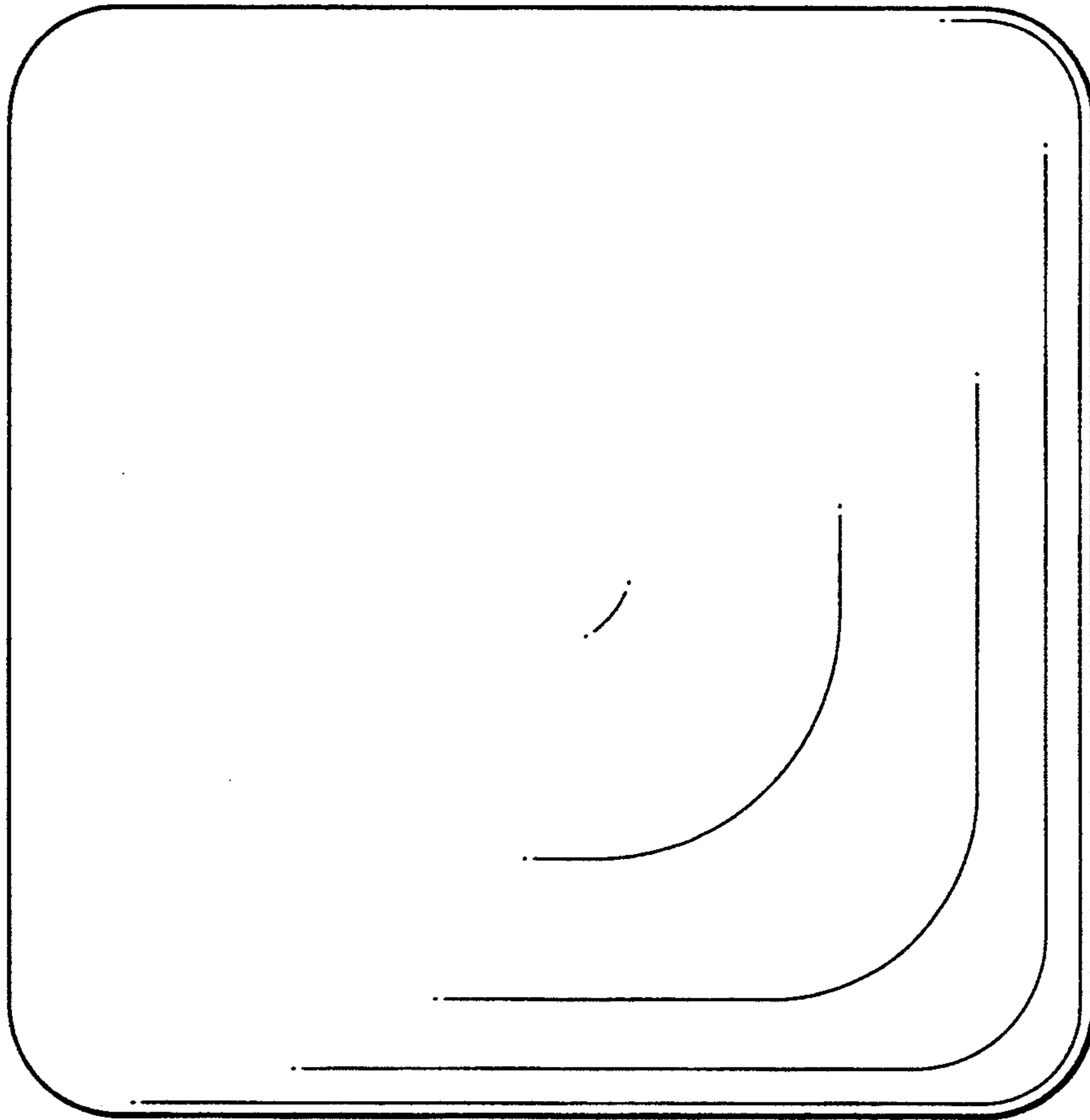


FIG. 7





Il. II. 07 BB

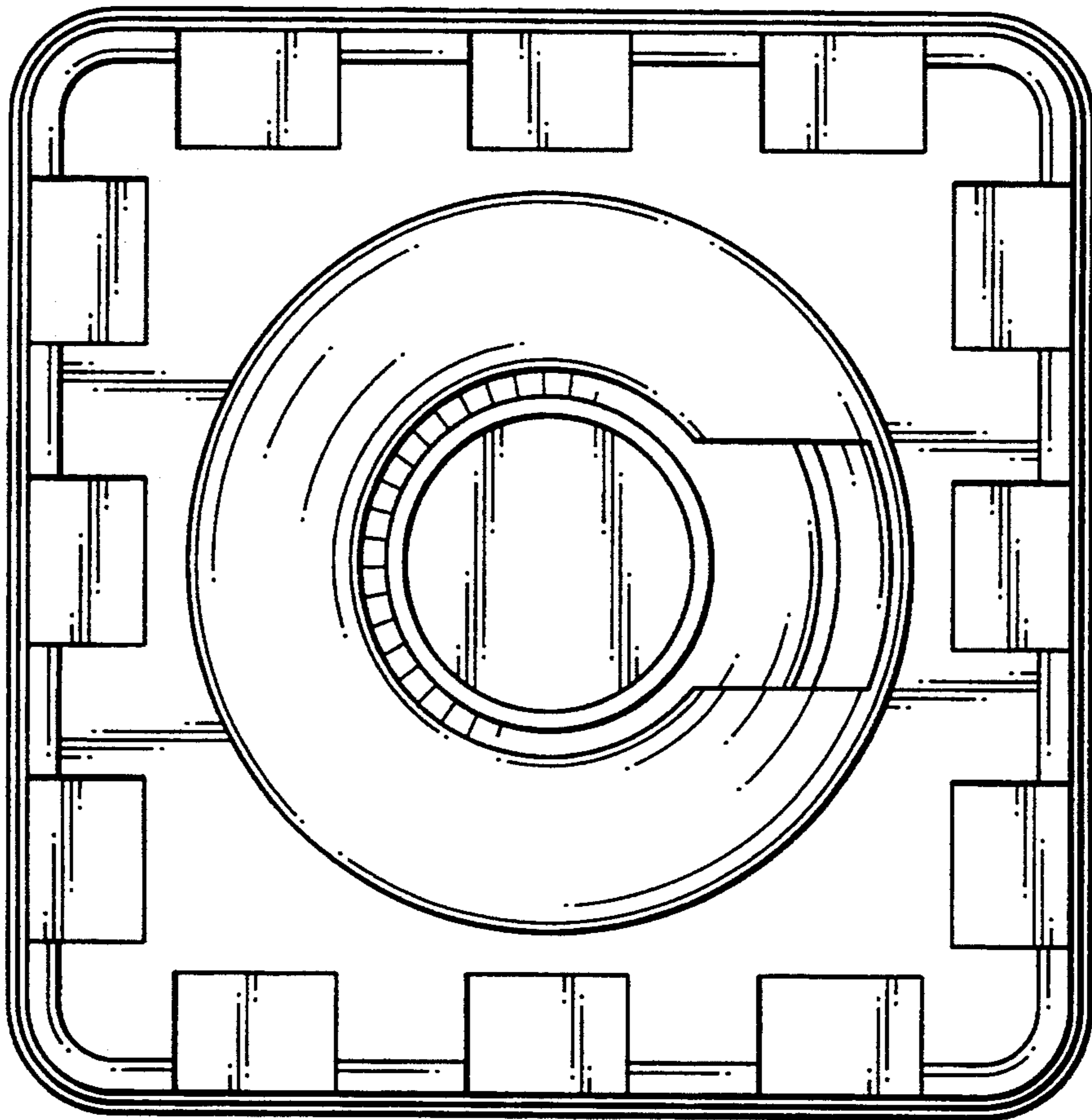


FIG. 9

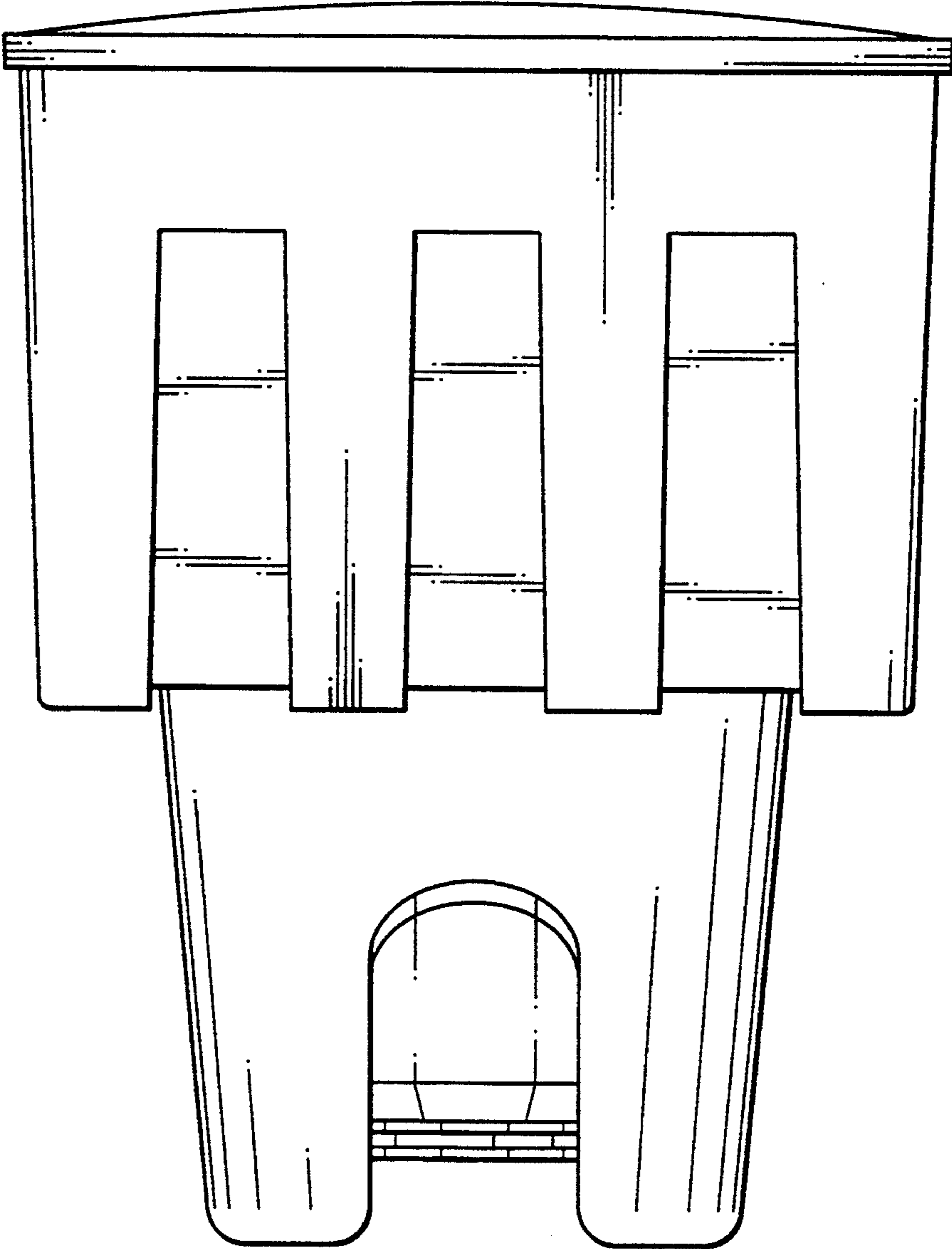
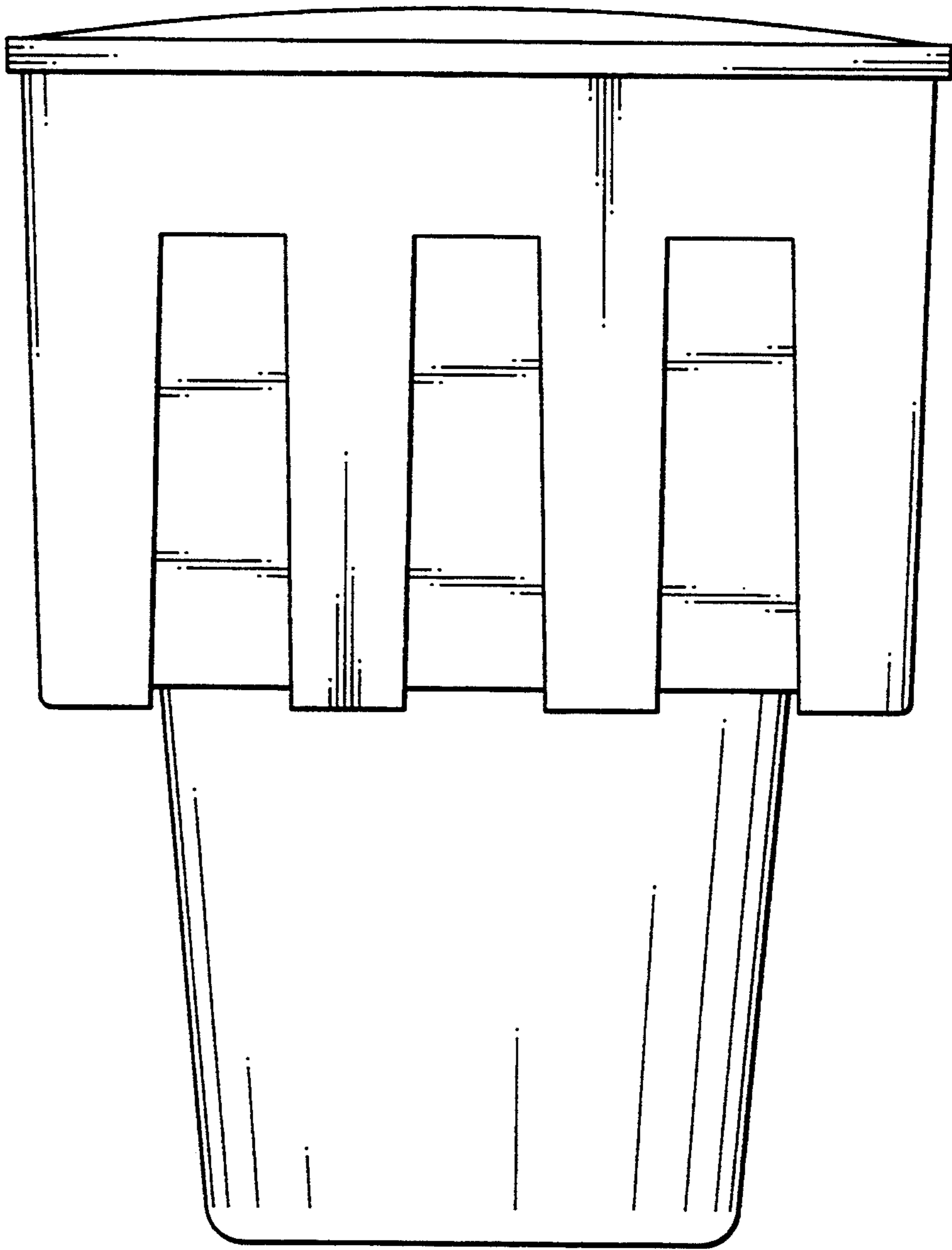


FIG. 10    FIG. 11



*Fig. 11*