



US00D351056S

United States Patent [19]

[11] Patent Number: Des. 351,056

Auger et al.

[45] Date of Patent: ** Oct. 4, 1994

[54] **BLADDER FOR A SHOE SOLE**

[75] Inventors: **Perry W. Auger**, Tigard, Oreg.;
Forland, David M., Battle Ground,
Wash.

[73] Assignee: **Nike, Inc.**, Beaverton, Oreg.

[**] Term: **14 Years**

[21] Appl. No.: **13,623**

[22] Filed: **Sep. 17, 1993**

[52] U.S. Cl. **D2/961**

[58] Field of Search **D2/894, 946, 947, 961,**
D2/964, 977; D3/54; 36/25 R, 28, 29, 44, 83,
84, 89, 102-107, 114, 132, 137, 153; 362/103

4,768,295 9/1988 Ito 36/28

4,782,603 11/1988 Brown 36/29

4,817,304 4/1989 Parker et al. 36/114

4,852,274 8/1989 Wilson 36/29

4,862,604 9/1989 Hauser 36/43

4,906,502 3/1990 Rudy 36/29 X

4,912,861 4/1990 Huang 36/29

4,914,836 4/1990 Horowitz 36/28

4,936,029 1/1990 Rudy 36/29

4,962,593 10/1990 Brown 36/44

4,970,807 11/1990 Anderie et al. 36/28

4,972,611 11/1990 Swartz et al. 36/28

4,991,317 2/1991 Lakic 36/44

5,005,300 4/1991 Diaz et al. 36/114

5,042,176 8/1991 Rudy 36/29

5,131,174 7/1992 Drew et al. 36/29 X

5,188,447 2/1993 Chiang et al. 36/137 X

5,195,256 3/1993 Kim 36/28 X

[56] References Cited

U.S. PATENT DOCUMENTS

D. 117,383 10/1939 Perault .

D. 296,836 7/1988 Brown et al. .

D. 297,381 8/1988 Sugiyama .

D. 300,084 3/1989 Ito et al. .

D. 300,085 3/1989 Ito et al. .

D. 316,633 5/1991 Markowitz D3/54

D. 319,720 9/1991 Selbiger .

D. 325,288 4/1992 Richard et al. .

D. 326,766 6/1992 Kittle et al. .

D. 336,772 6/1993 Forland et al. D2/946 X

1,435,602 11/1922 Hanson 36/153

1,517,171 11/1924 Rosenwasser .

1,910,609 5/1933 Keller .

1,976,656 10/1934 Clark .

2,004,906 6/1935 Simister .

2,080,469 5/1937 Gilbert .

2,177,116 10/1939 Persichino .

2,286,495 6/1942 Matteson .

2,330,398 9/1943 Vass .

2,557,663 6/1951 Knode 362/103 X

3,160,963 12/1964 Aaskov .

3,946,505 3/1976 Dana, III 36/137 X

4,014,115 3/1977 Reichert 36/137

4,317,293 3/1982 Single et al. 36/43

4,442,612 4/1984 Hauser 36/43

4,445,283 5/1984 Meyers 36/29

4,471,538 9/1984 Pomeranz et al. 36/28

4,486,964 12/1984 Rudy 36/28

4,499,672 2/1985 Kim 36/29 X

4,593,482 6/1986 Mayer 36/28 X

4,747,219 5/1988 Ammendolea 36/28

FOREIGN PATENT DOCUMENTS

83999 7/1957 Denmark .

0198951 10/1985 European Pat. Off. .

0335467 3/1989 European Pat. Off. .

798246 9/1935 France .

2614510 4/1987 France .

454529 10/1936 United Kingdom .

2183446 6/1987 United Kingdom .

2188825 10/1987 United Kingdom .

OTHER PUBLICATIONS

Exhibits A-G Photographs of Bladders (Date Unknown).

Primary Examiner—Louis S. Zarfaz
Attorney, Agent, or Firm—Banner, Birch, McKie & Beckett

[57] CLAIM

The ornamental design for a bladder for a shoe sole, as shown and described.

DESCRIPTION

FIG. 1 is a perspective view of a bladder for a shoe sole showing our new design;

FIG. 2 is a top plan view thereof;

FIG. 3 is a right side elevational view thereof;

FIG. 4 is a left side elevational view thereof;

FIG. 5 is a front view thereof; and,

FIG. 6 is a rear view thereof.

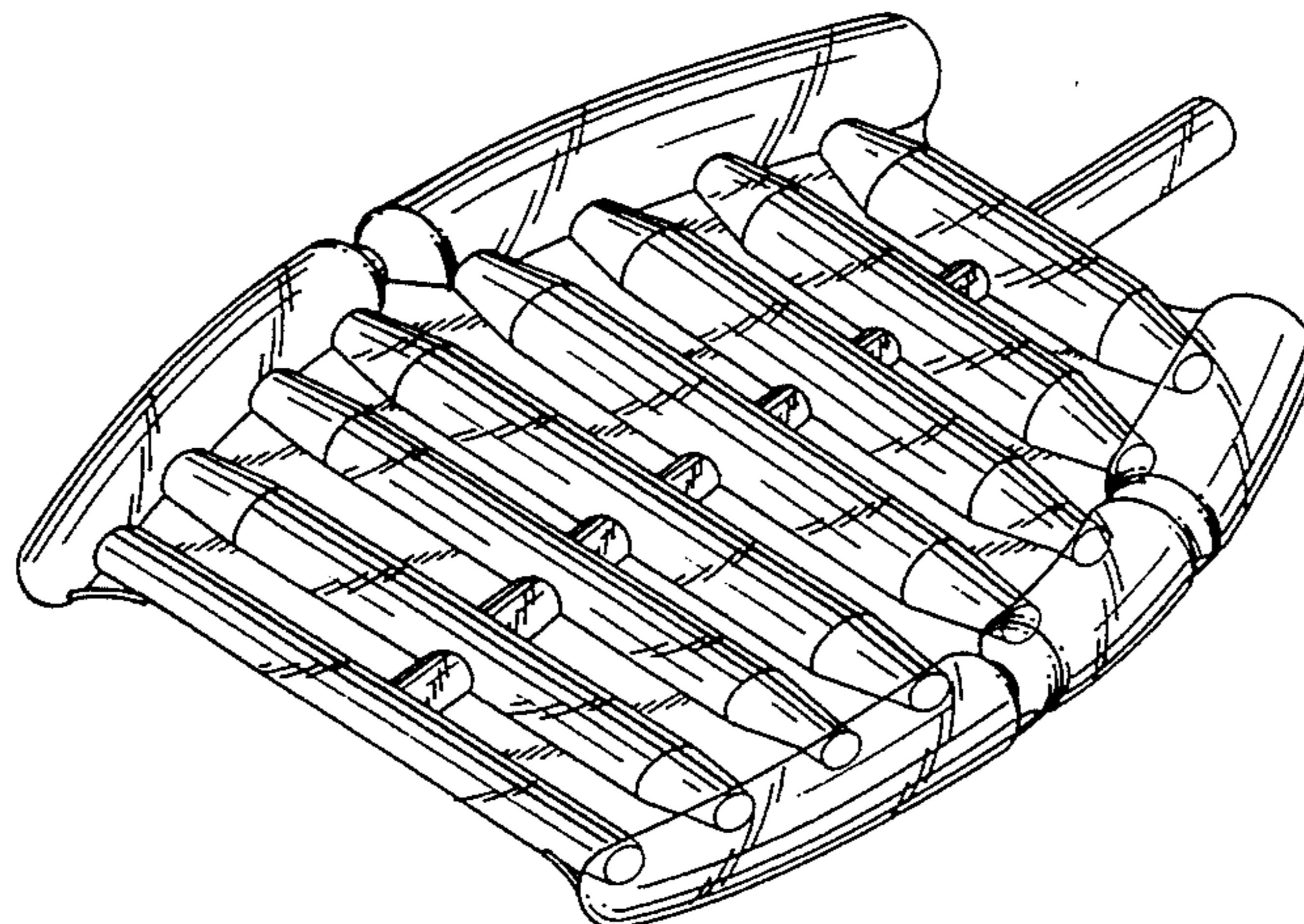


FIG. 1

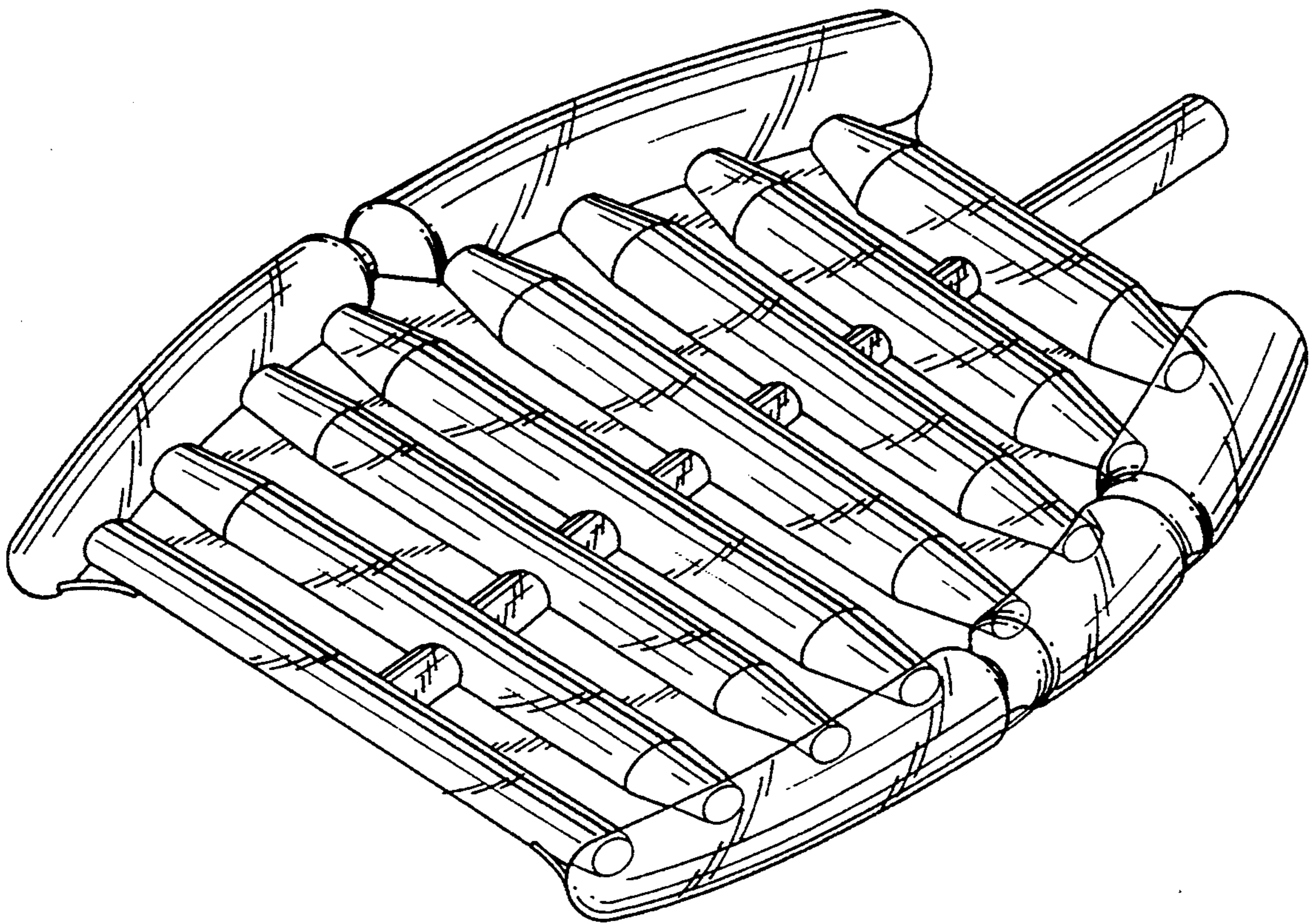


FIG. 2

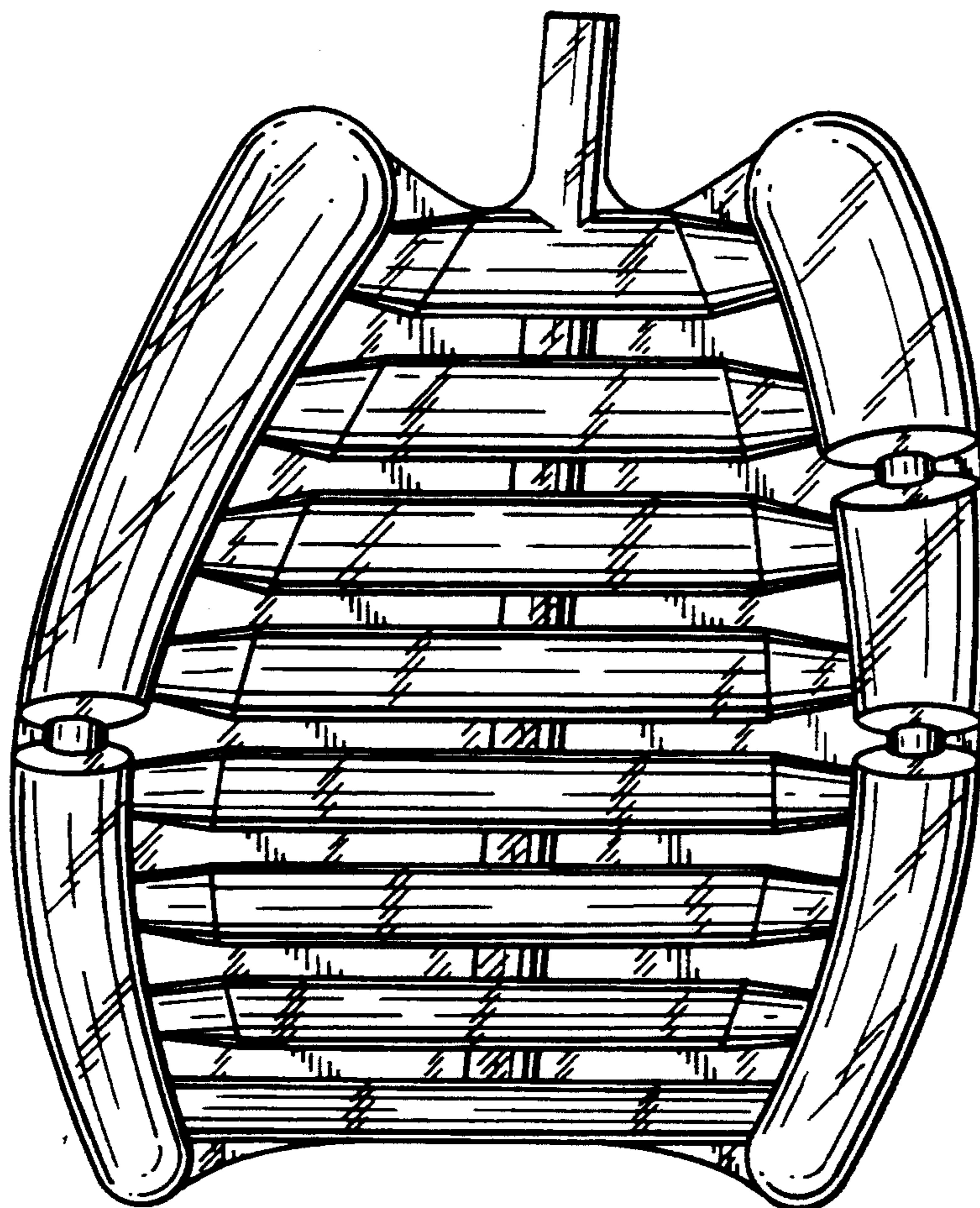


FIG. 3

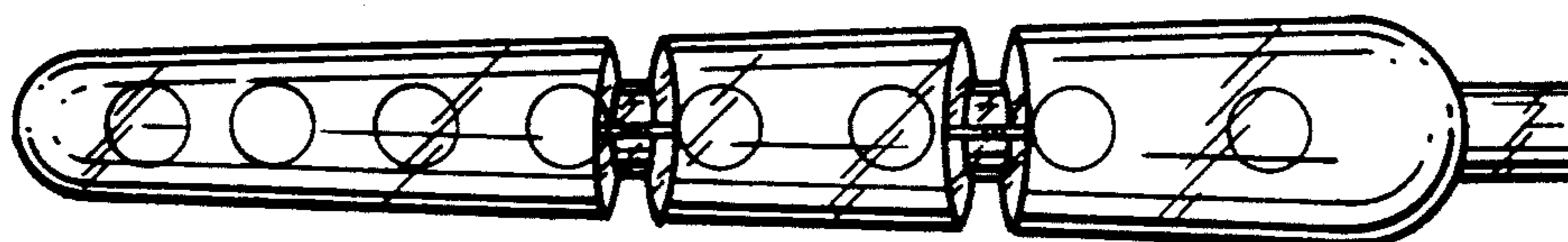


FIG. 4

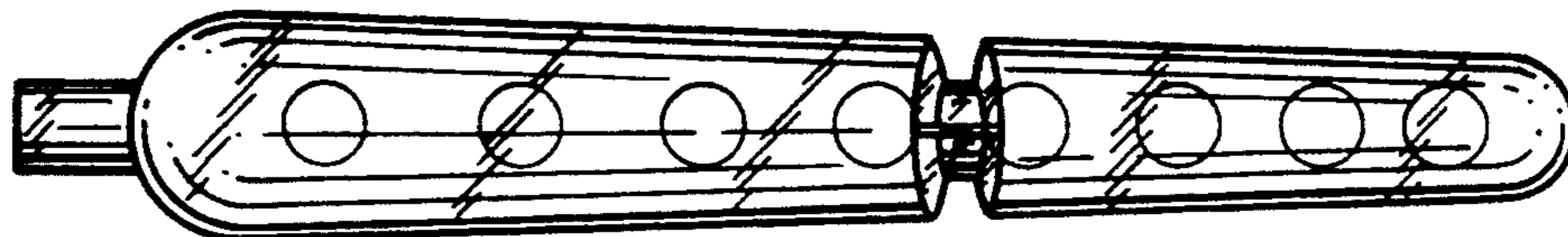


FIG. 5

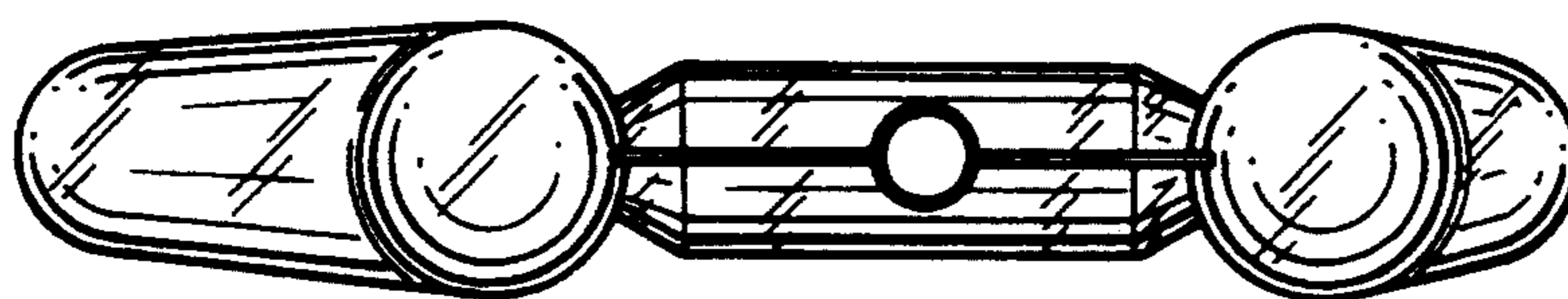


FIG. 6

