



US00D351052S

United States Patent [19]

Russell

[11] Patent Number: Des. 351,052

[45] Date of Patent: ** Oct. 4, 1994

[54] **HEADBAND**

[75] Inventor: **John P. Russell**, Center Point, Ala.

[73] Assignee: **Infection Control Products, Inc.**, Gardendale, La.

[**] Term: **14 Years**

[21] Appl. No.: **747,254**

[22] Filed: **Aug. 19, 1991**

[52] U.S. Cl. **D2/894**

[58] Field of Search D2/874, 877, 880, 894; 2/181, 2, DIG. 11, 207, 181.4

4,993,079 2/1991 Johnson 2/DIG. 11 X
 5,099,524 3/1992 Linday 2/181
 5,146,630 9/1992 Richard 2/181

Primary Examiner—Bernard Ansher
Assistant Examiner—Paula Mortimer
Attorney, Agent, or Firm—George A. Bode

[57] CLAIM

The ornamental design for a headband as shown and described.

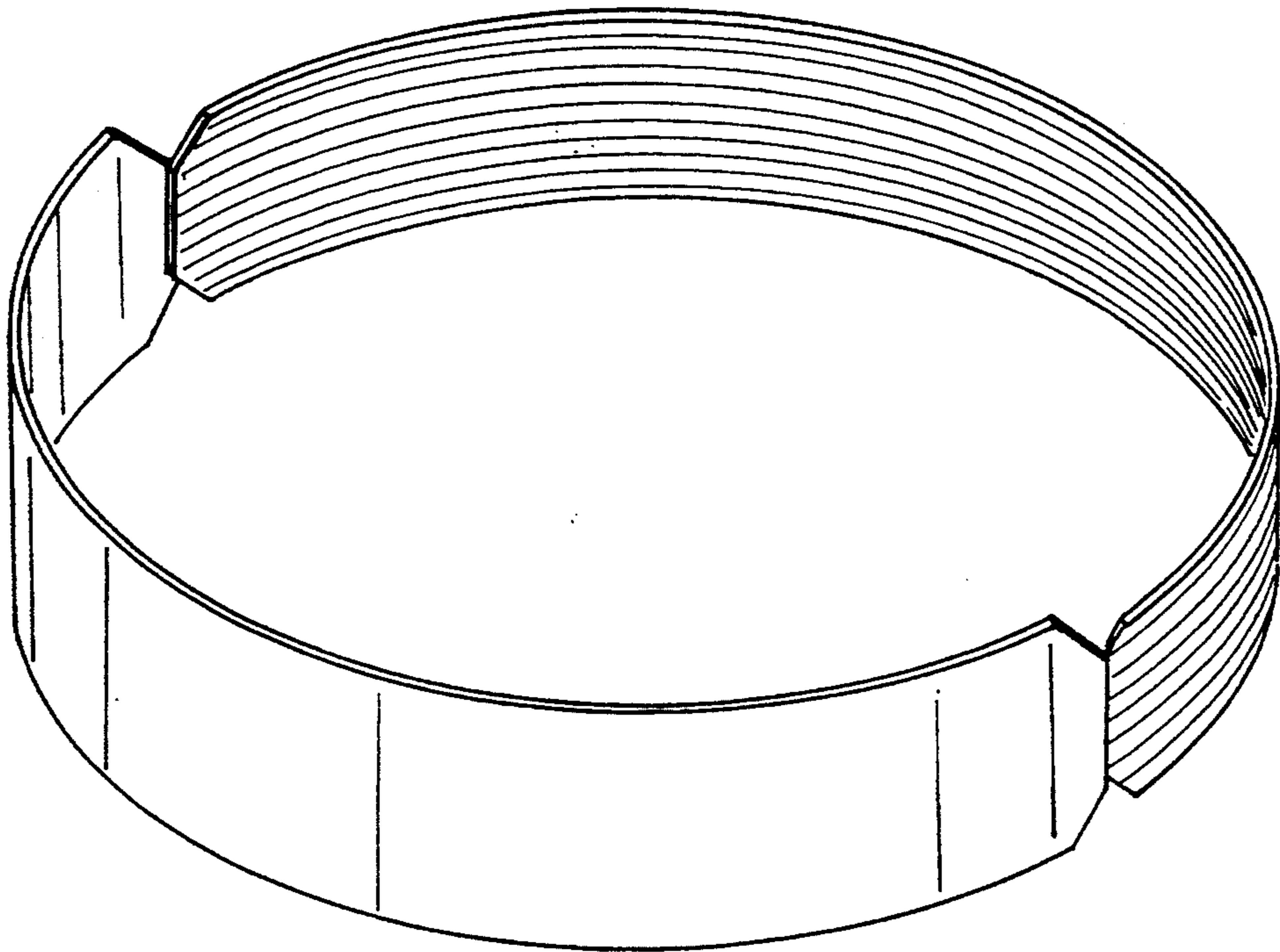
DESCRIPTION

FIG. 1 is a top perspective view of a headband showing my new design;
 FIG. 2 is a top plan view thereof, the bottom plan view being a mirror image thereof;
 FIG. 3 is a front elevational view thereof;
 FIG. 4 is a rear elevational view thereof; and,
 FIG. 5 is a right side view thereof, the side opposite being a mirror image thereof.

[56] **References Cited**

U.S. PATENT DOCUMENTS

4,675,915 6/1987 Siciliano 2/DIG. 11 X
 4,742,581 5/1988 Rosenthal 2/181
 4,833,734 5/1989 Der Estephanian 2/DIG. 11 X
 4,941,210 7/1990 Konucik 2/DIG. 11 X



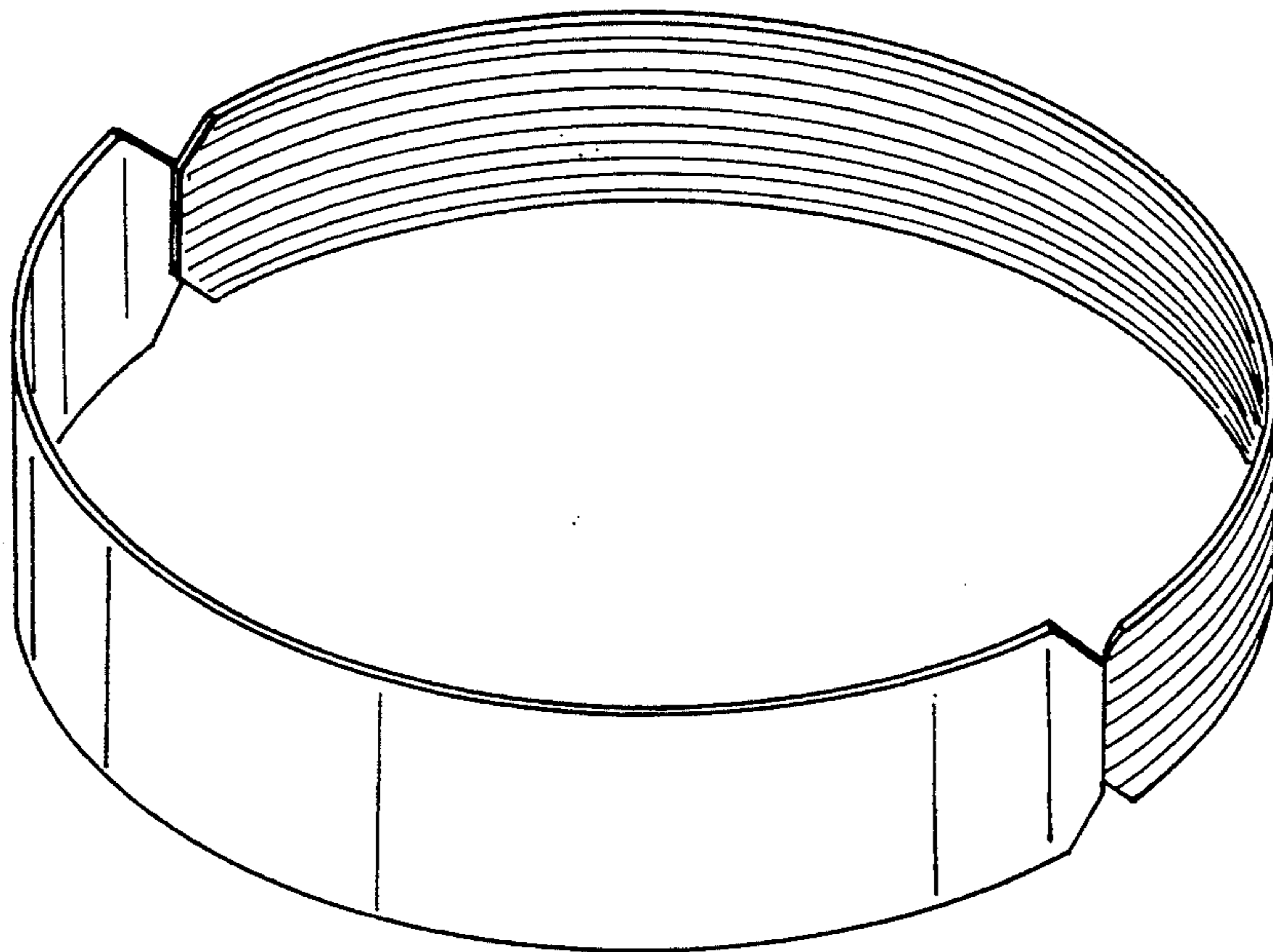


FIG. 1

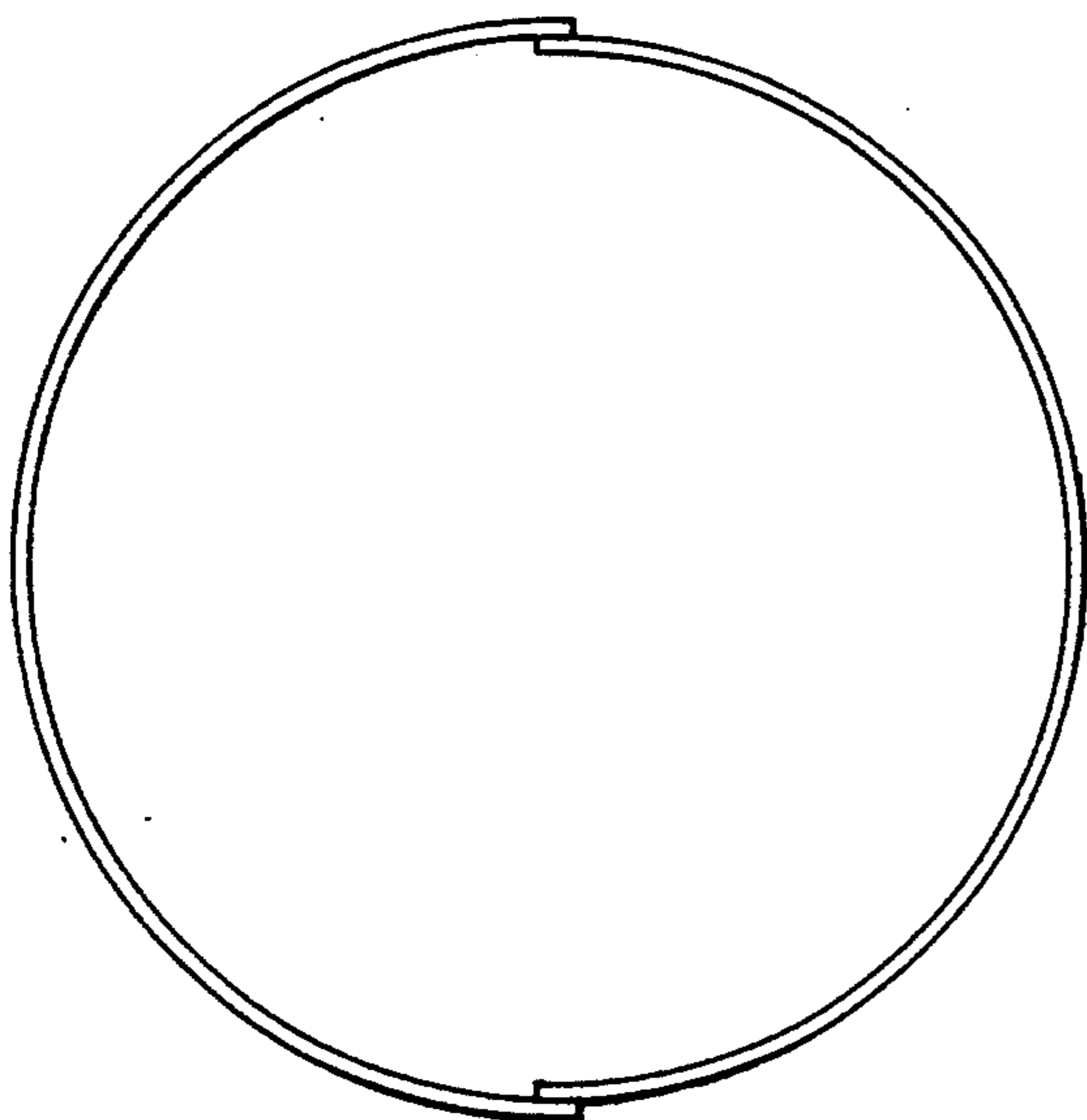


FIG. 2



FIG. 3

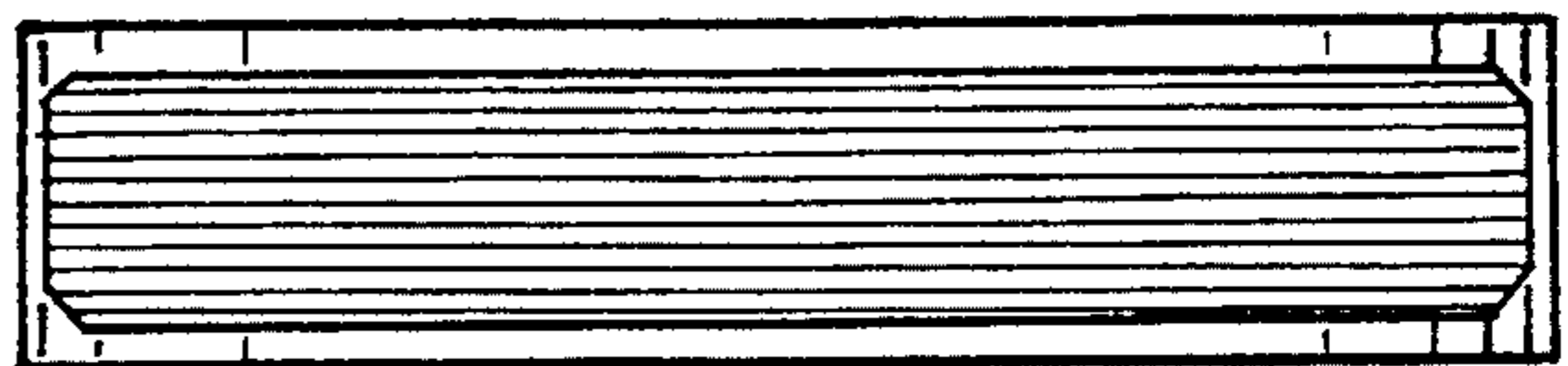


FIG. 4

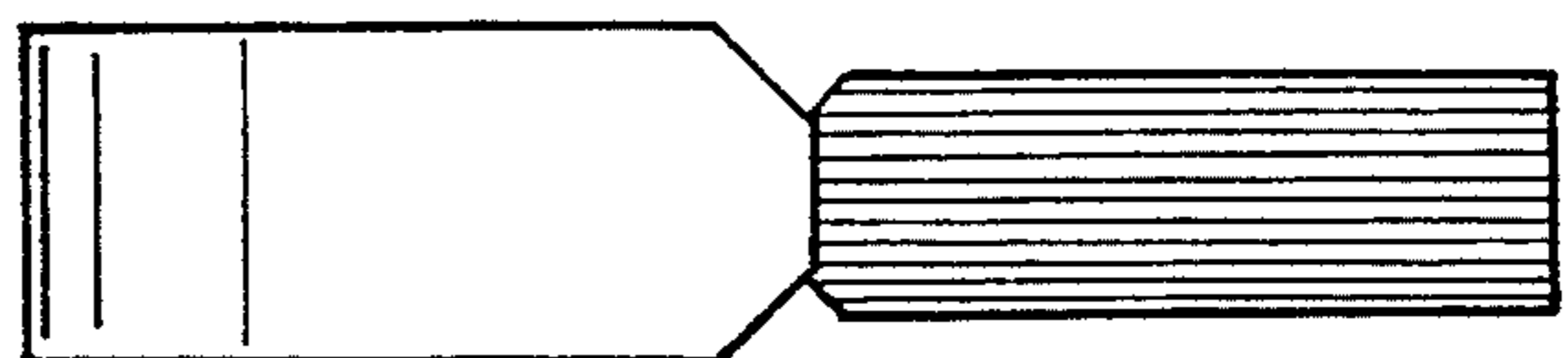


FIG. 5