



US00D351049S

United States Patent [19]
Schlueter

[11] **Patent Number: Des. 351,049**
[45] **Date of Patent: ** Sep. 27, 1994**

- [54] **COSMETIC COMPACT ASSEMBLY**
- [75] **Inventor: Andrea C. Schlueter, Rancho Santa Fe, Calif.**
- [73] **Assignee: Galaxy Network, Inc., Rancho Santa Fe, Calif.**
- [**] **Term: 14 Years**
- [21] **Appl. No.: 2,883**
- [22] **Filed: Dec. 22, 1992**
- [52] **U.S. Cl. D28/77; D3/208; D28/83**
- [58] **Field of Search D3/207-210, D3/212; D9/337; 132/286, 293, 294-297, 300, 313-318; 206/235, 581, 823, 37, 38, 38.1, 37.1, 37.8; 220/DIG. 26; D28/77, 78, 83**

[56] **References Cited**

U.S. PATENT DOCUMENTS

- D. 101,850 11/1936 Bowen D28/83 X
- D. 128,286 7/1941 Kane D28/77
- D. 278,097 3/1985 Akiyoshi D3/285
- 1,582,867 4/1926 Callowhill 206/38 R
- 1,766,990 6/1930 Freeman 132/318
- 2,158,155 5/1939 Roy 220/DIG. 26
- 2,635,613 4/1953 Lerner et al. 132/297
- 3,397,707 8/1968 Aversa 132/317
- 4,684,017 8/1987 Watanabe et al. D28/83 X

FOREIGN PATENT DOCUMENTS

- 8830 2/1912 United Kingdom 206/37

OTHER PUBLICATIONS

“Hong Kong Enterprise”Jul. 1987, p. 381; upper right

quadrant of page; item Nos. 75/HT, 75/LO, 75/SE and 7475.

Primary Examiner—Bernard Ansher
Assistant Examiner—C. Cuttle
Attorney, Agent, or Firm—Nilsson, Wurst & Green

[57] **CLAIM**

The ornamental design of a cosmetic compact assembly, as shown and described.

DESCRIPTION

FIG. 1 is a right side and front perspective view of a cosmetic compact assembly showing my new design, with an upper door of the compact open and a lower door of the compact closed;

FIG. 2 is a right side and bottom perspective view thereof with the upper door of the compact closed and the bottom door of the compact open;

FIG. 3 is a right side elevational view of the compact shown separately for clarity and ease of illustration with both the upper door and the lower door open;

FIG. 4 is a rear elevational view of the compact with the upper door and the lower door open;

FIG. 5 is a bottom plan view of the compact with the upper door and the lower door closed, the top plan view being a mirror image of the bottom plan view;

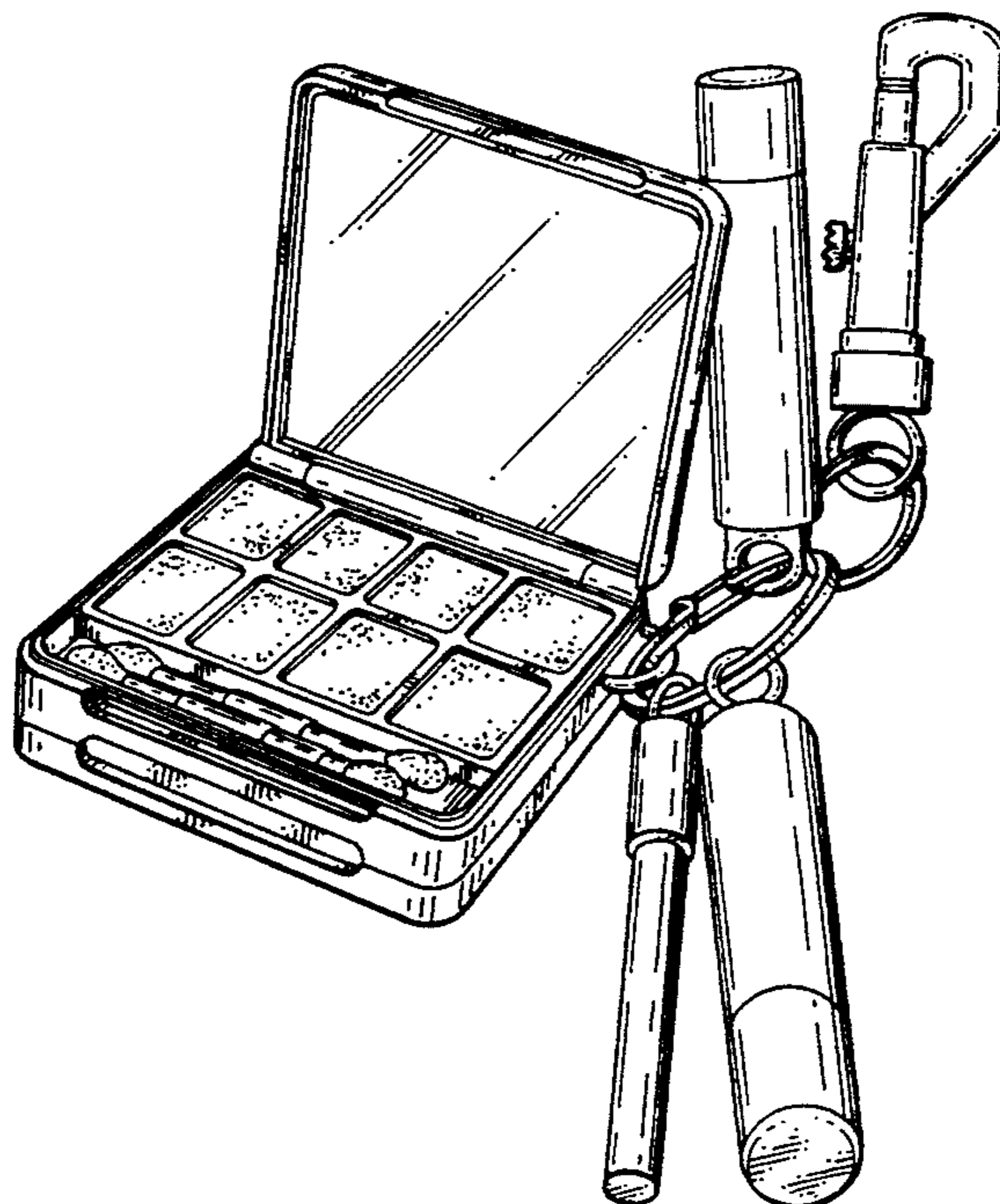
FIG. 6 is a rear elevational view of the compact with the upper door and lower door closed;

FIG. 7 is a left side elevational view of the compact with the upper door and lower door closed;

FIG. 8 is a front elevational view of the compact with the upper door and the lower door closed; and,

FIG. 9 is a right side elevational view of the compact with the upper door and the lower door closed.

The undisclosed portions of the ring mounted components of the design are unornamented, and follow the configuration of the portions shown in FIGS. 1 and 2.



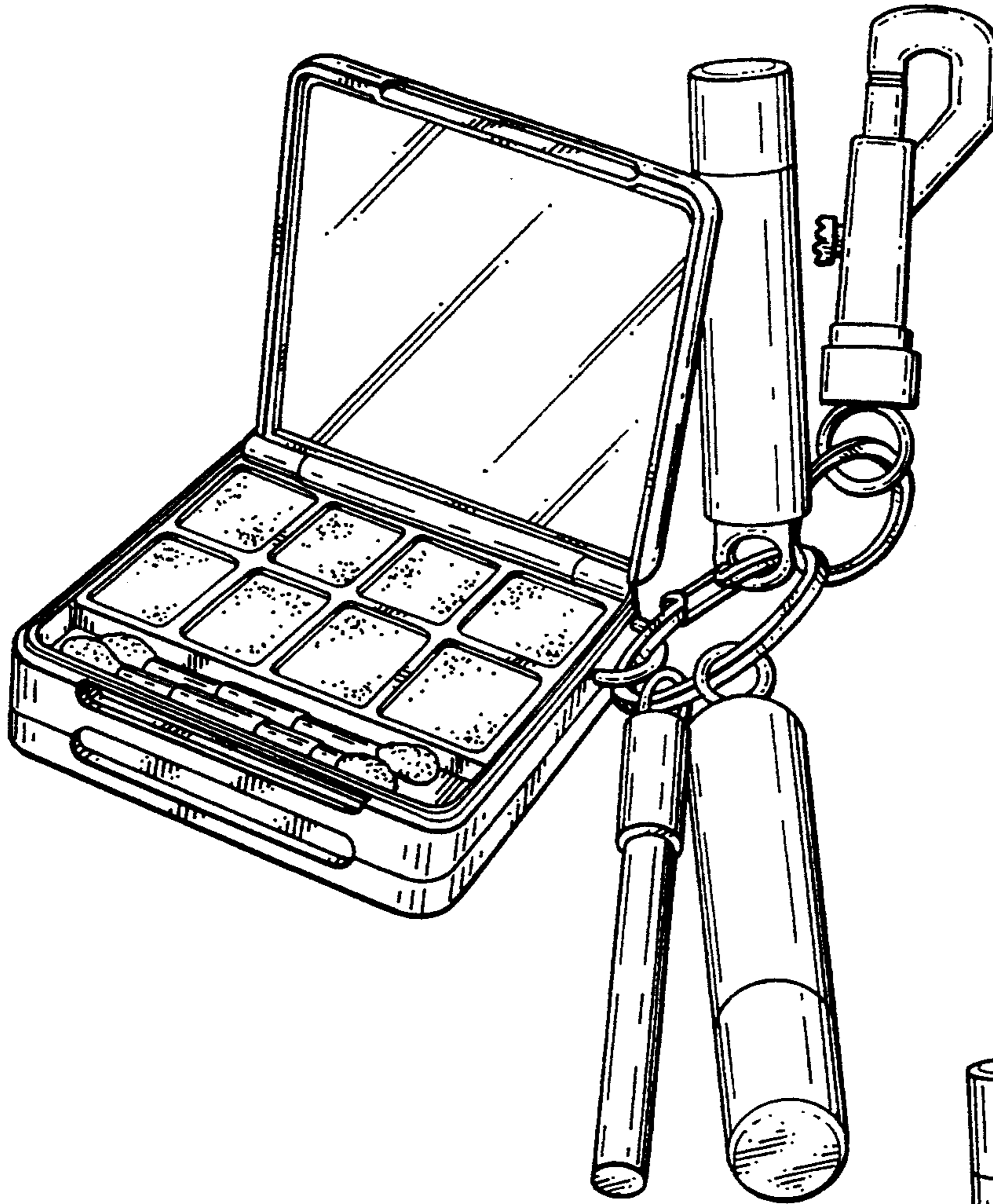


FIG. 1

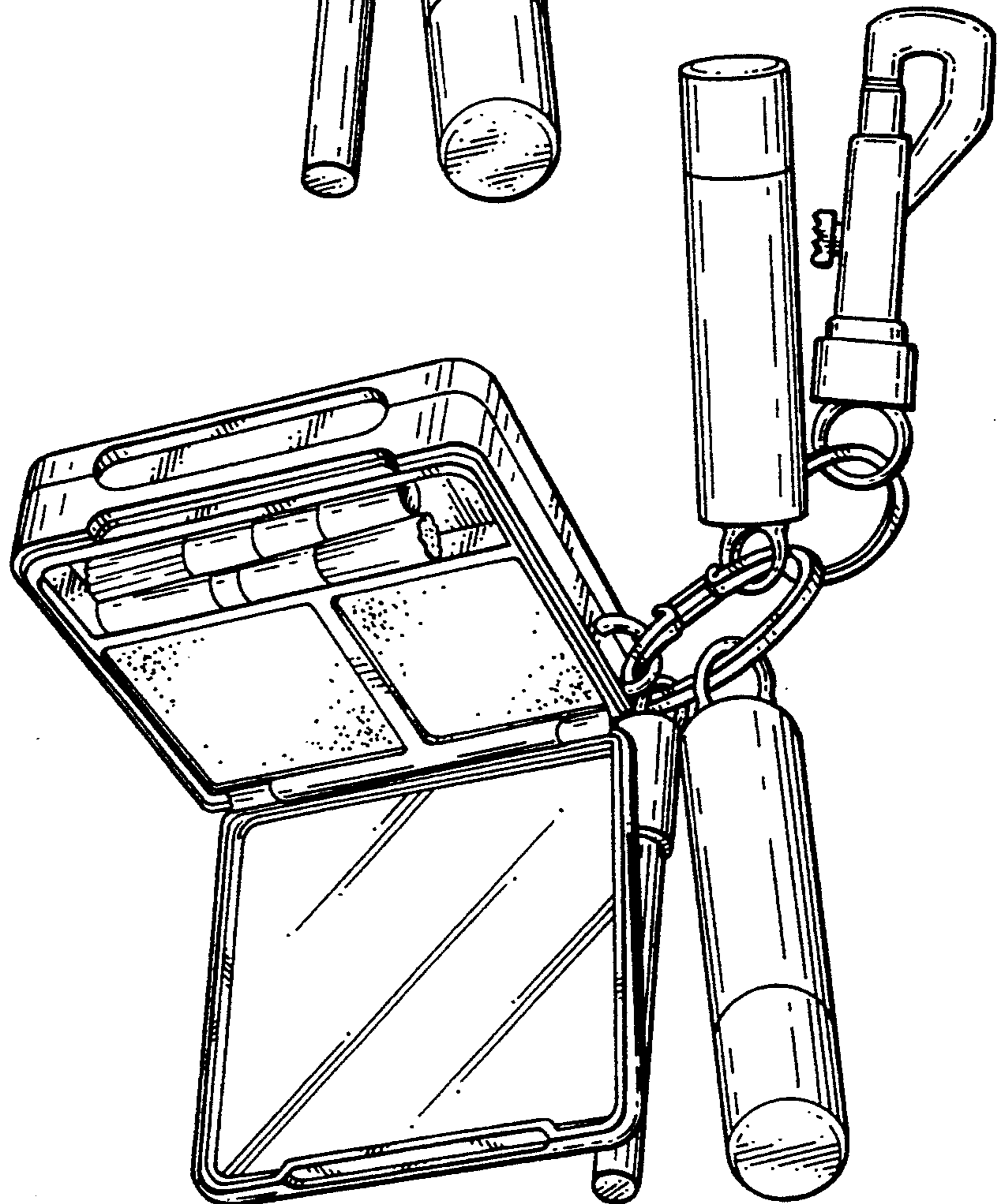


FIG. 2

FIG. 5

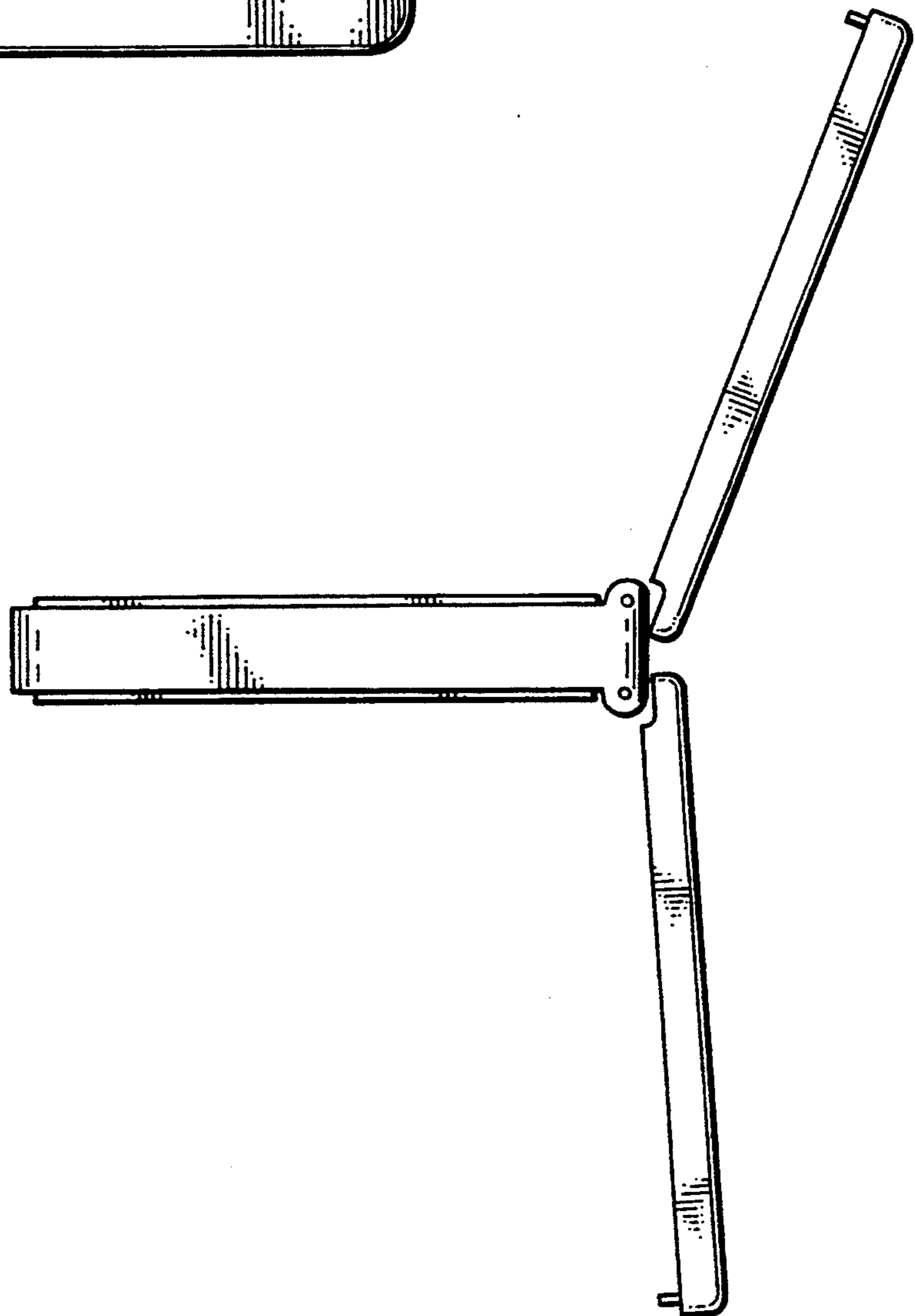
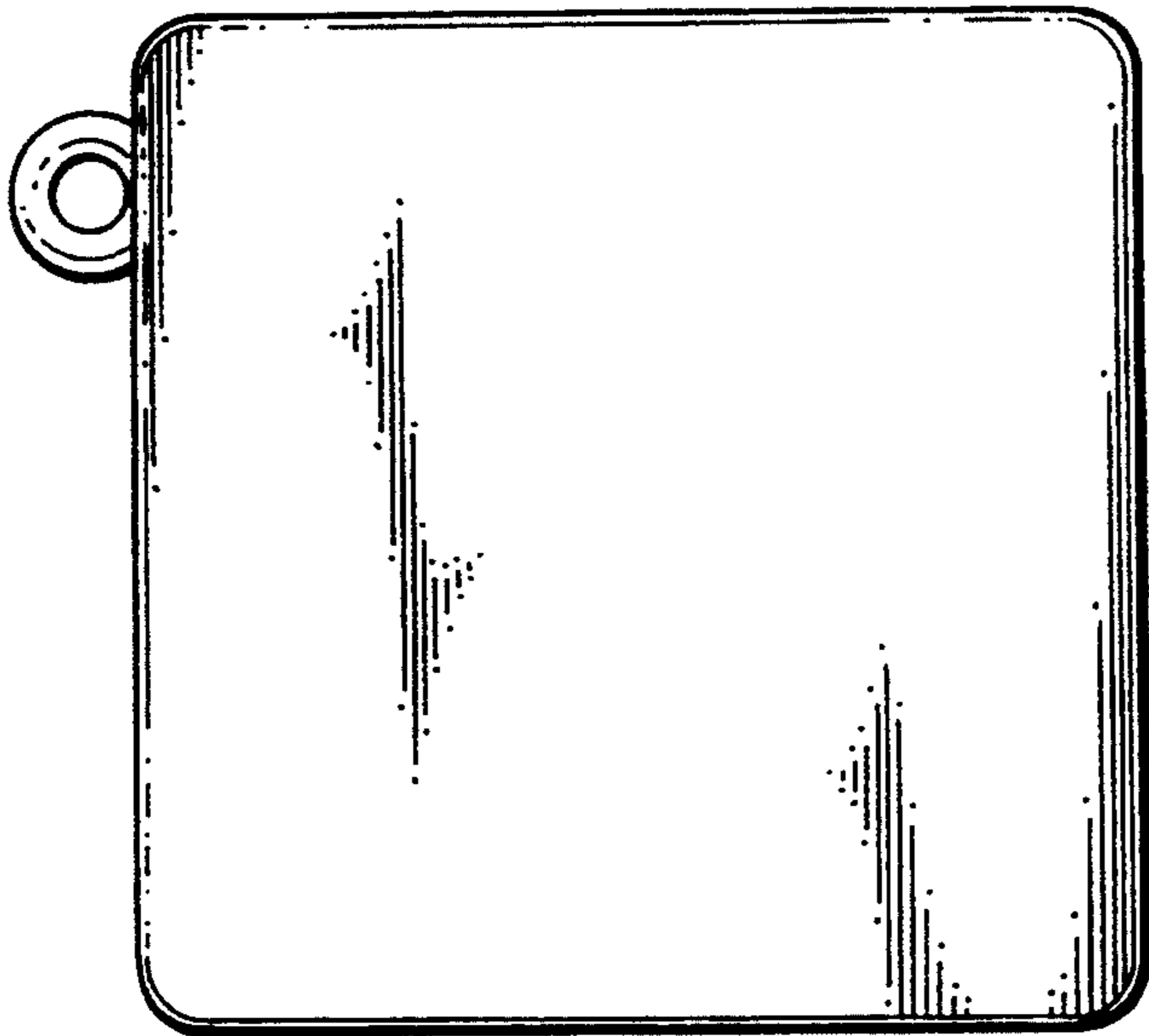


FIG. 3

FIG. 4

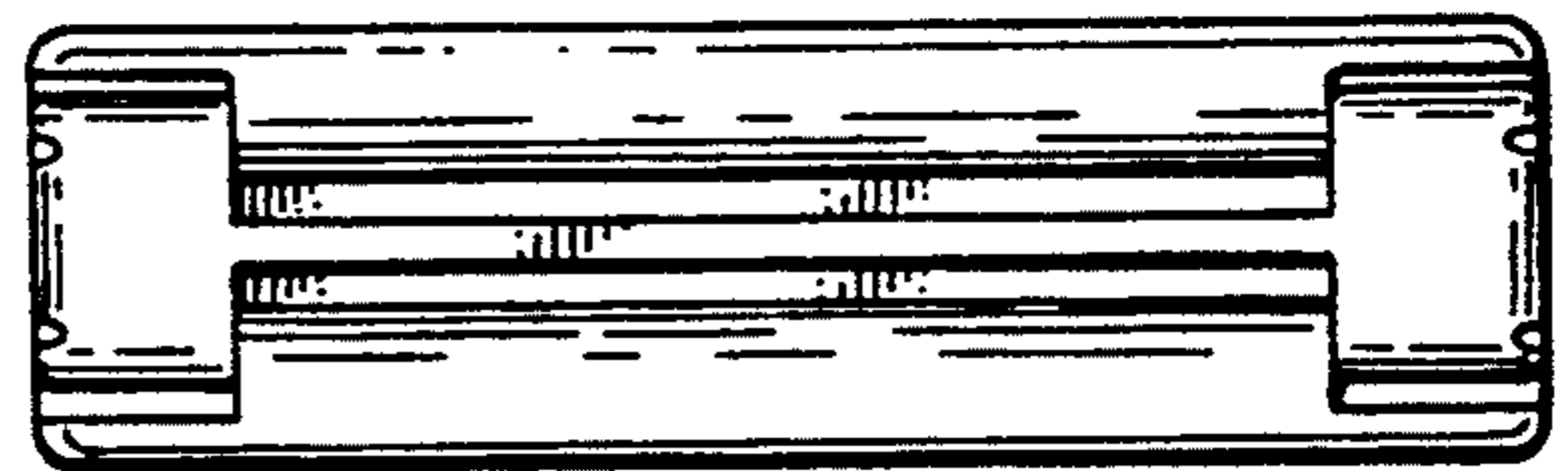
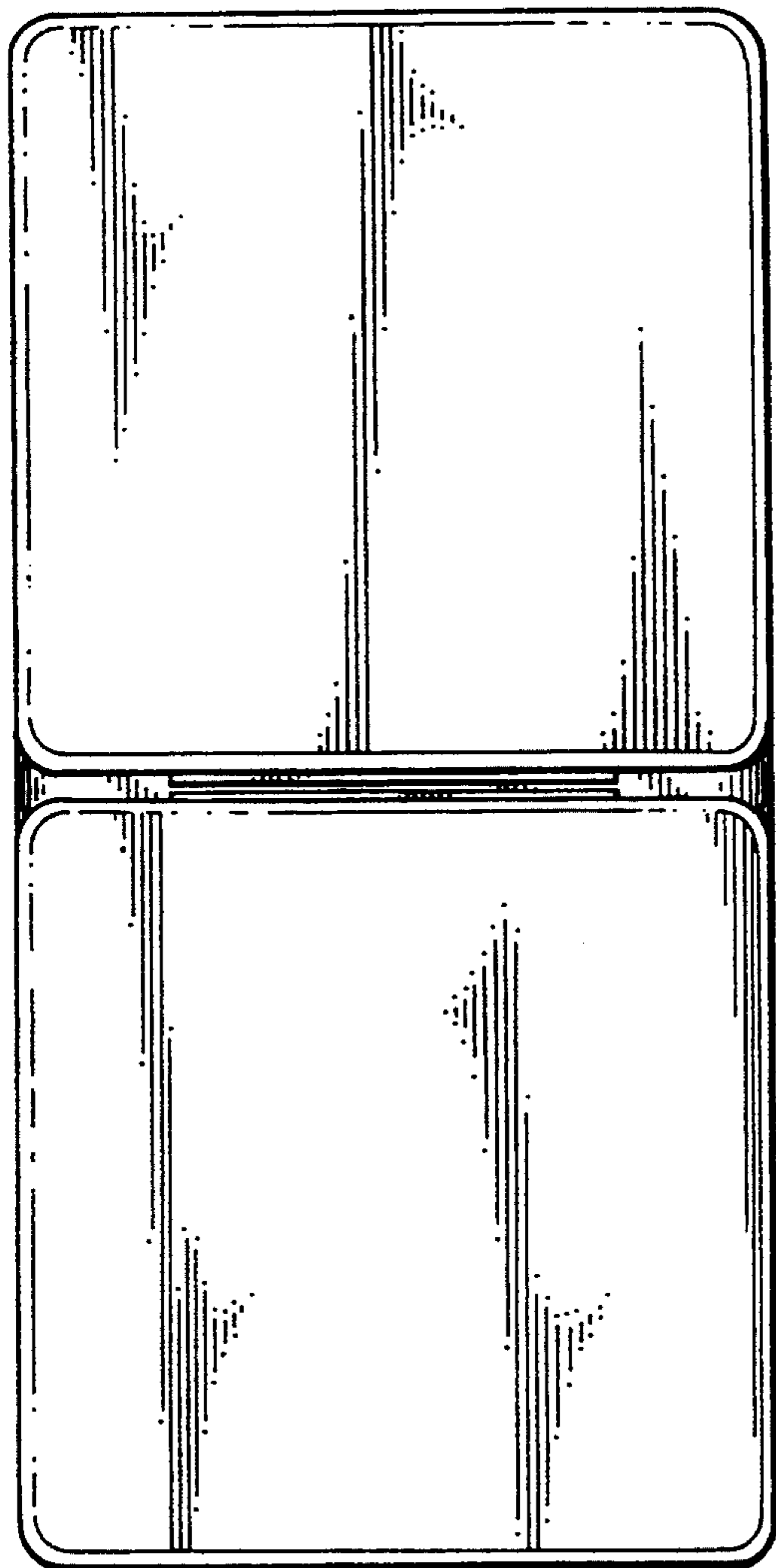


FIG. 6

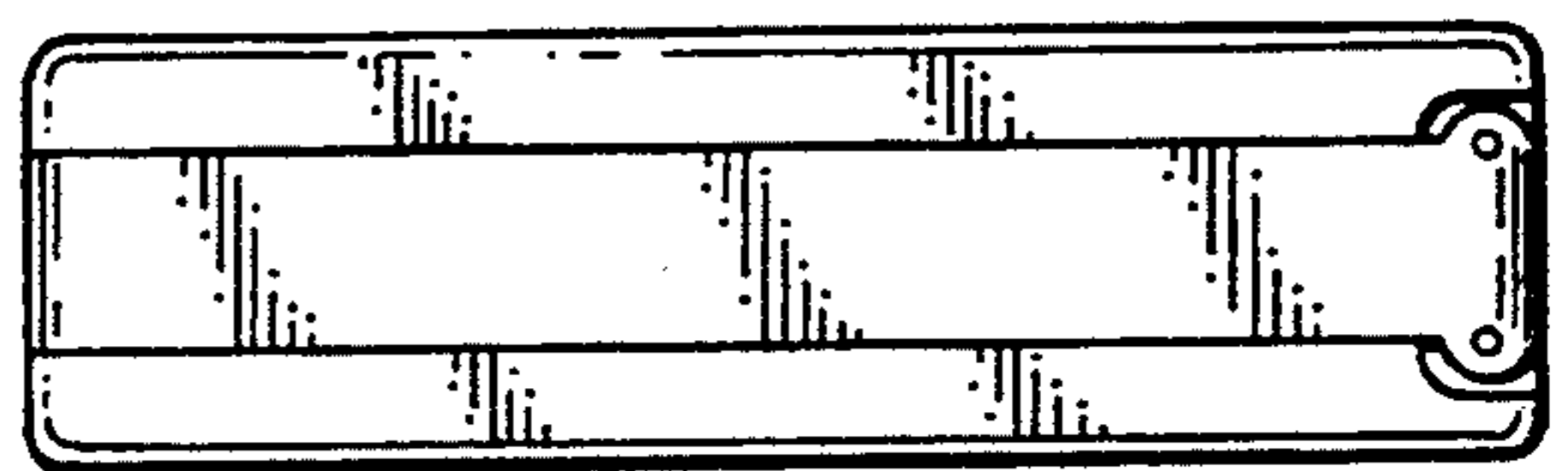


FIG. 7

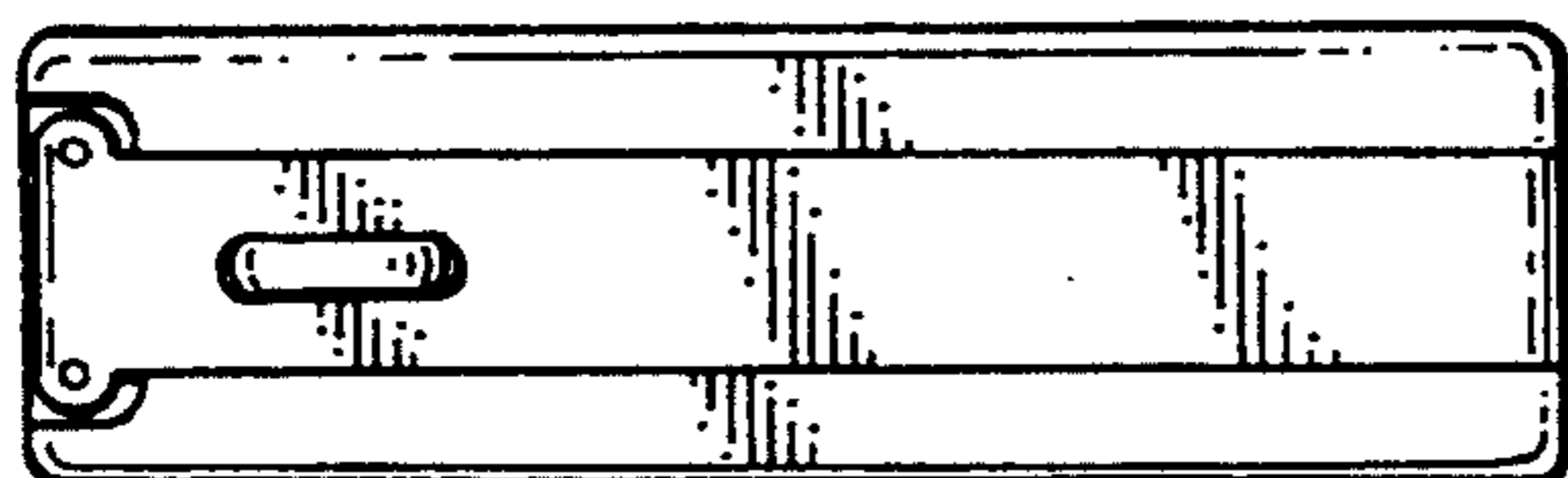


FIG. 9

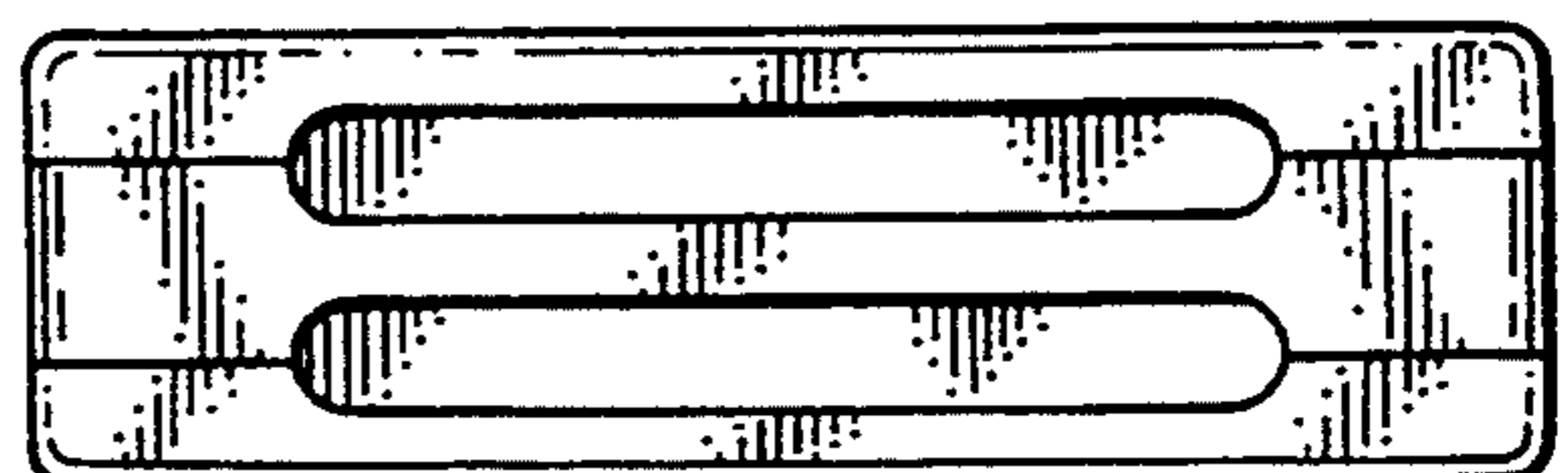


FIG. 8