



US00D351038S

United States Patent [19]

[11] Patent Number: Des. 351,038

Snoke et al.

[45] Date of Patent: ** Sep. 27, 1994

[54] ADJUSTABLE TRACK LIGHT

[75] Inventors: Phillip J. Snoke; Lionel D. Gillespie; Steven C. Gamper, all of Atlanta, Ga.

[73] Assignee: Cooper Industries, Houston, Tex.

[**] Term: 14 Years

[21] Appl. No.: 830,244

[22] Filed: Feb. 4, 1992

[52] U.S. Cl. D26/65

[58] Field of Search 362/147, 169, 275, 285, 362/418, 419, 427; D26/60-65

[56] References Cited

U.S. PATENT DOCUMENTS

D. 288,135	2/1987	Donato	D26/63
D. 326,162	5/1992	Price	D26/63
D. 326,928	6/1992	Werely	D26/63 X
4,727,460	2/1988	Payne	362/269

OTHER PUBLICATIONS

Home Lighting & Accessories, 1-1990, p. 38, Hunter Adjustable Track Light.

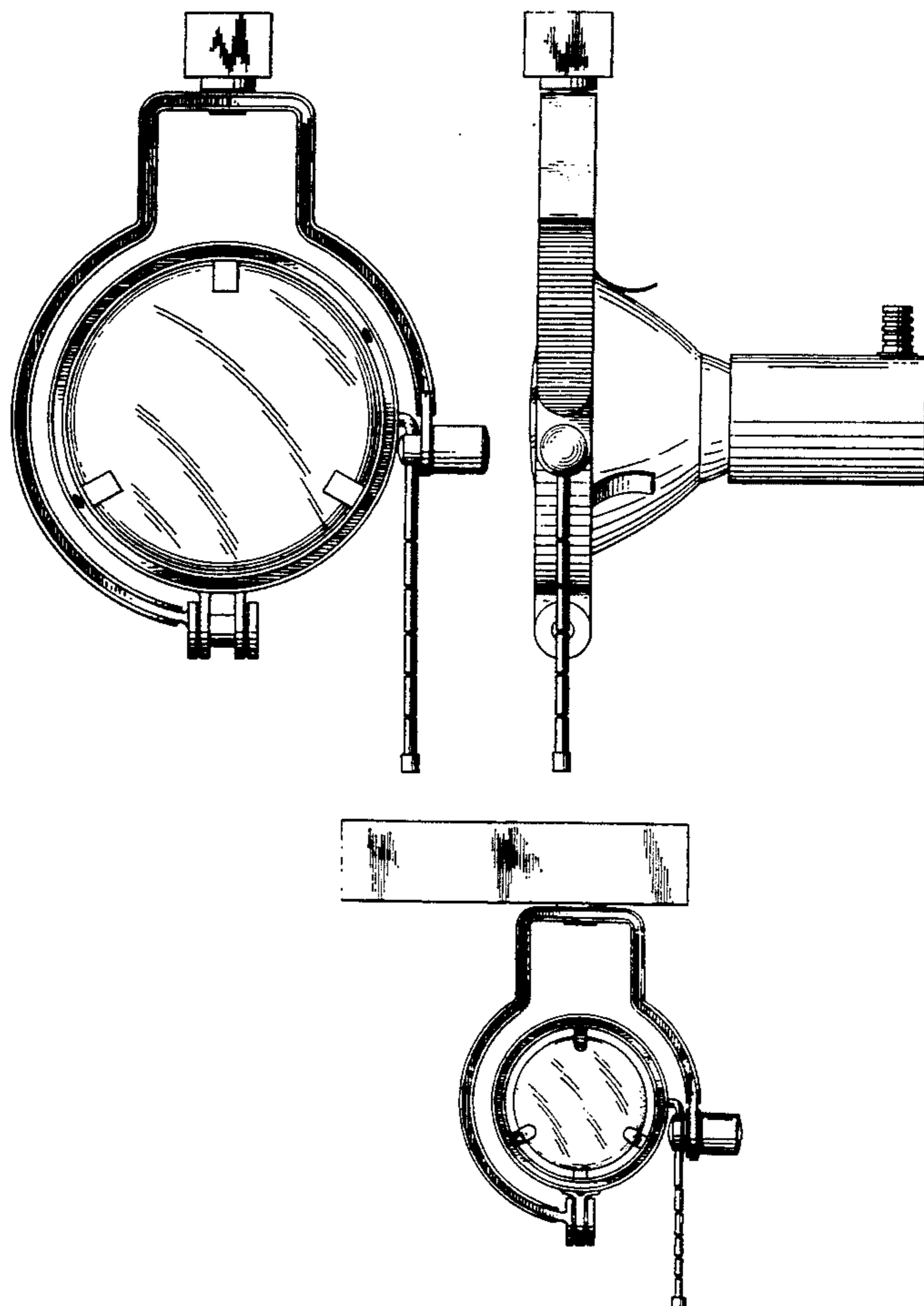
Primary Examiner—Susan J. Lucas
Attorney, Agent, or Firm—Burns, Doane, Swecker & Mathis

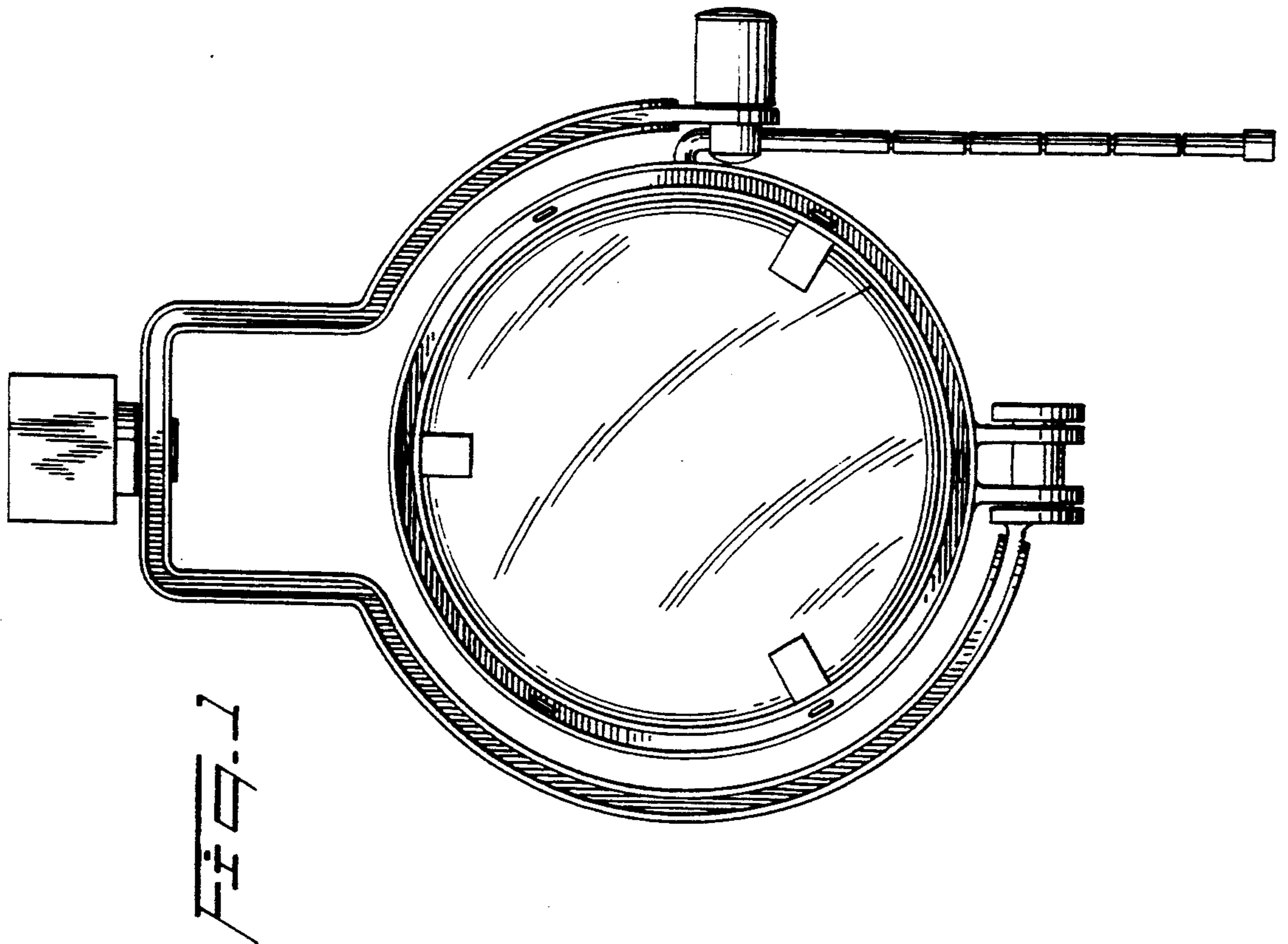
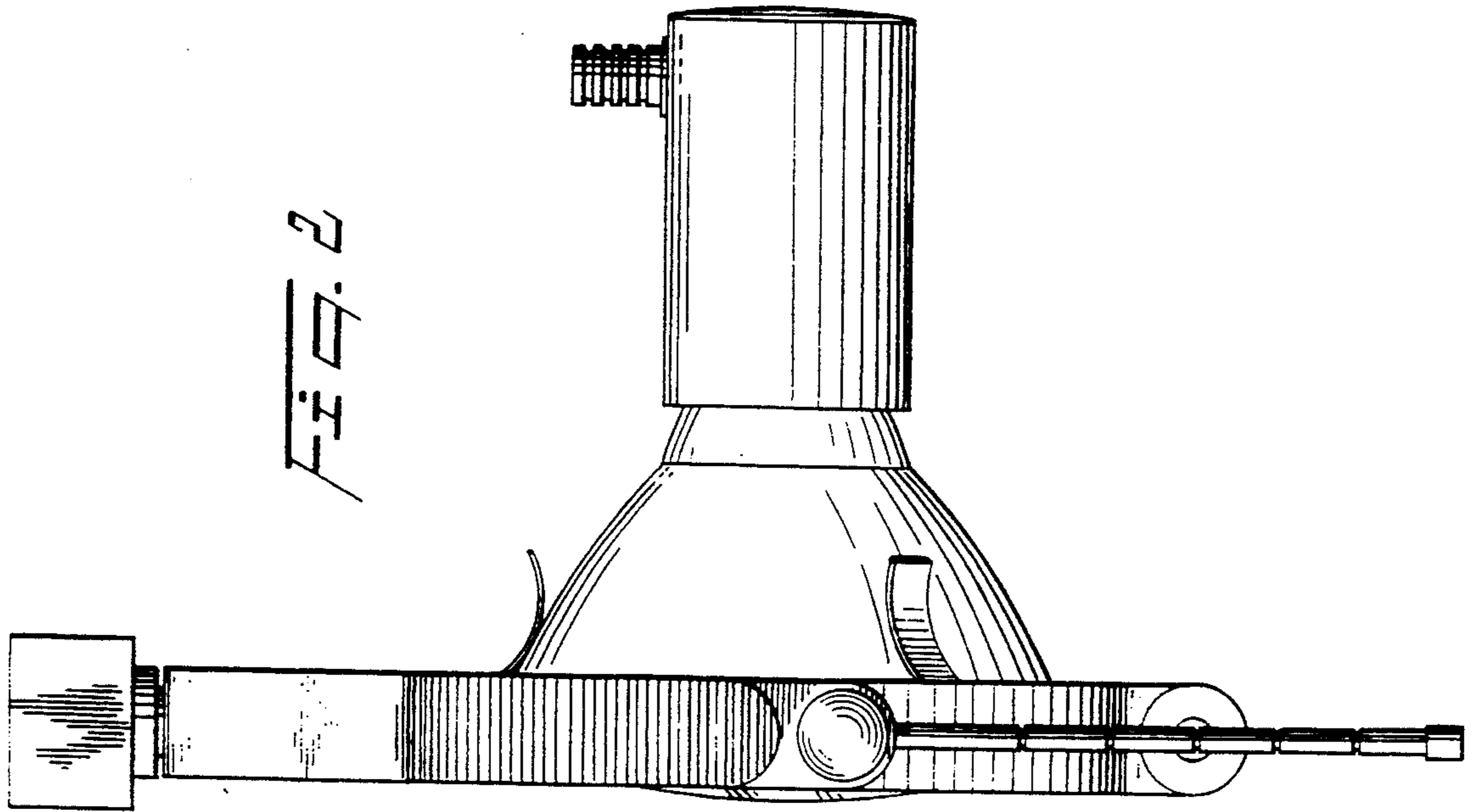
[57] CLAIM

The ornamental design for a adjustable track light, as shown and described.

DESCRIPTION

FIG. 1 is a front view of a adjustable track light showing our new design;
 FIG. 2 is a right-side view thereof;
 FIG. 3 is a back view thereof;
 FIG. 4 is a left-side view thereof;
 FIG. 5 is a top view thereof;
 FIG. 6 is a bottom view thereof;
 FIG. 7 is a front view of a second embodiment of the design;
 FIG. 8 is a right-side view thereof;
 FIG. 9 is a top view thereof;
 FIG. 10 is a back view thereof;
 FIG. 11 is a left-side view thereof; and,
 FIG. 12 is a bottom view thereof.





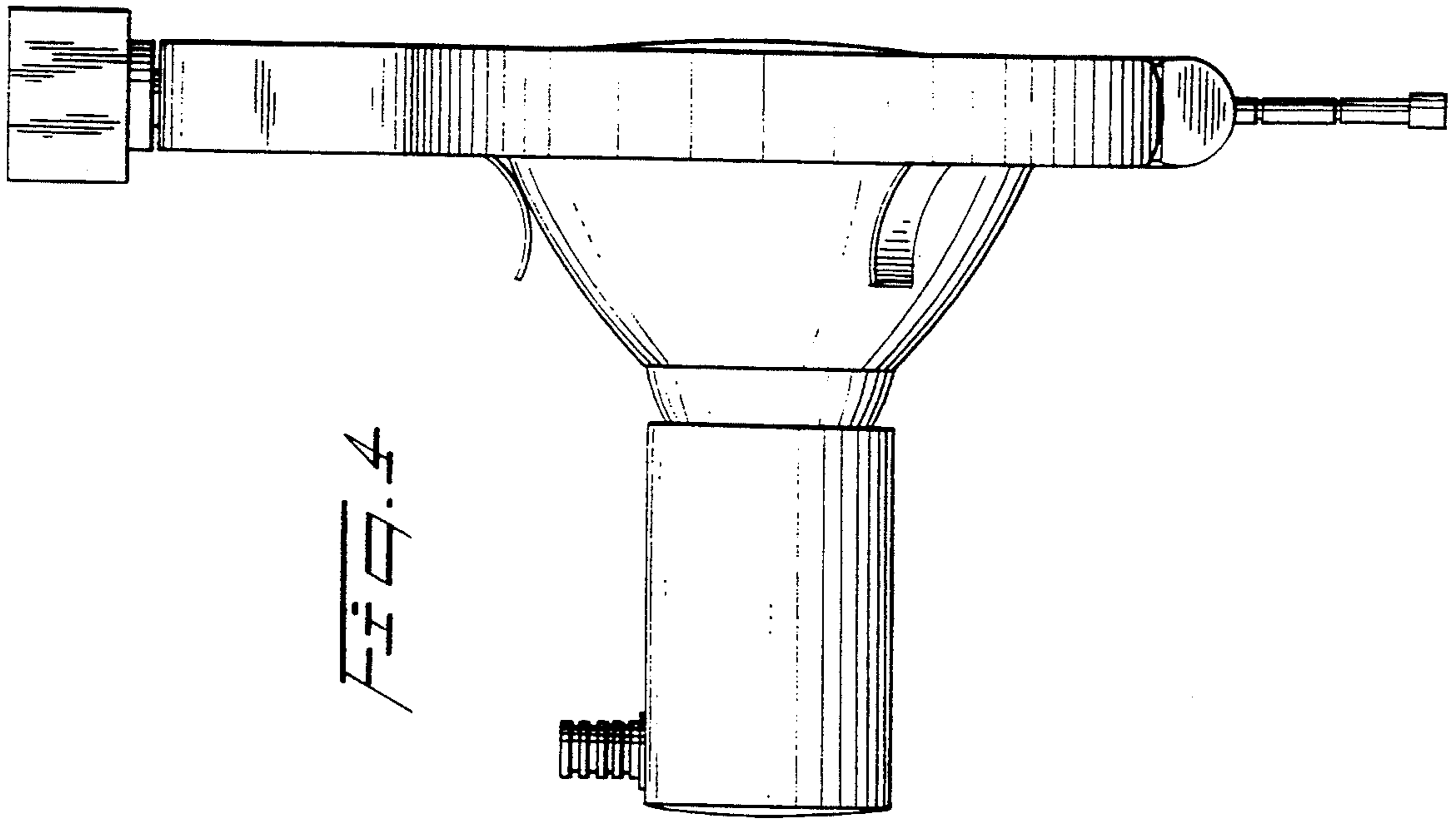


FIG. 4

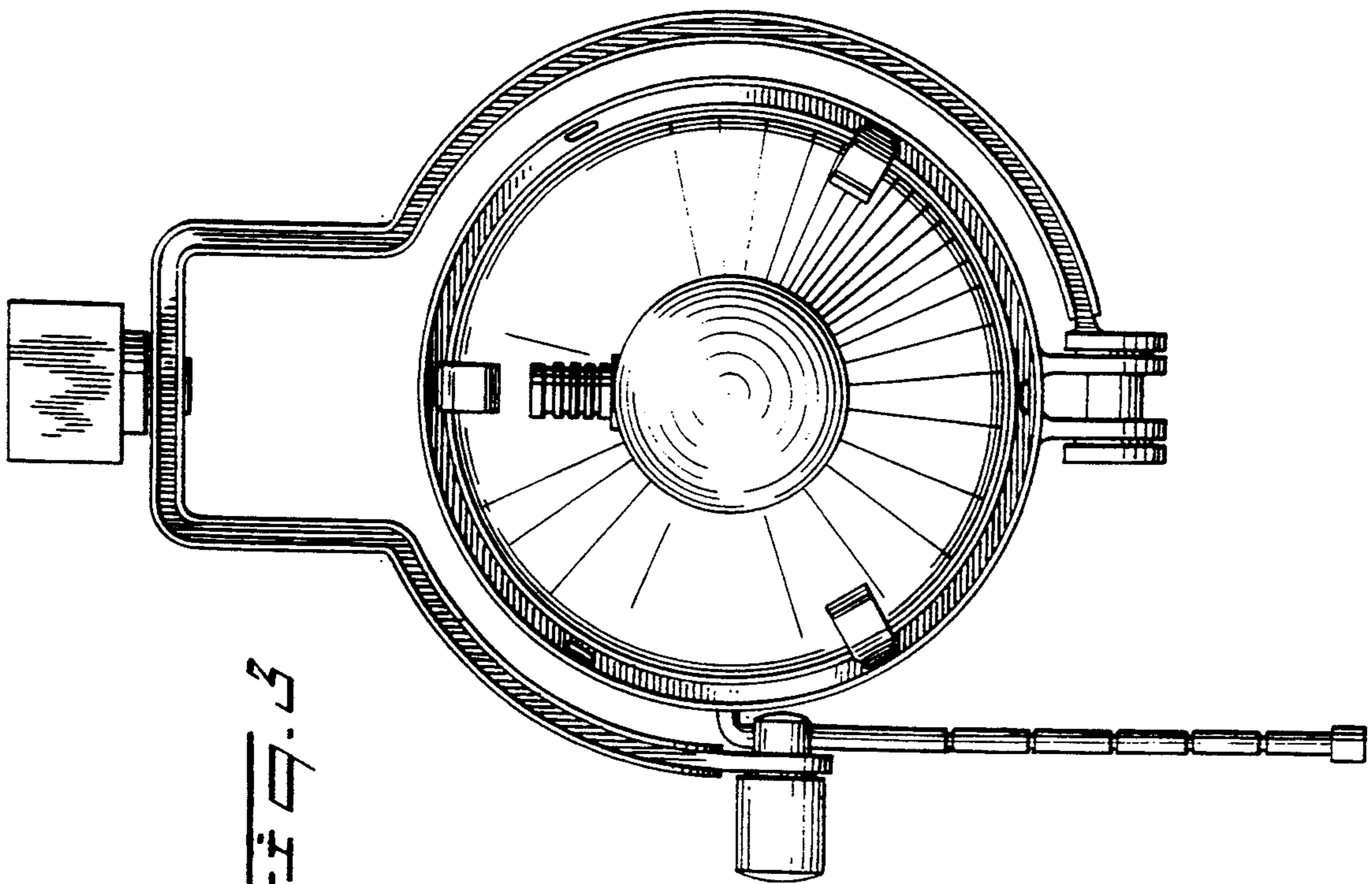


FIG. 3

Fig. 5

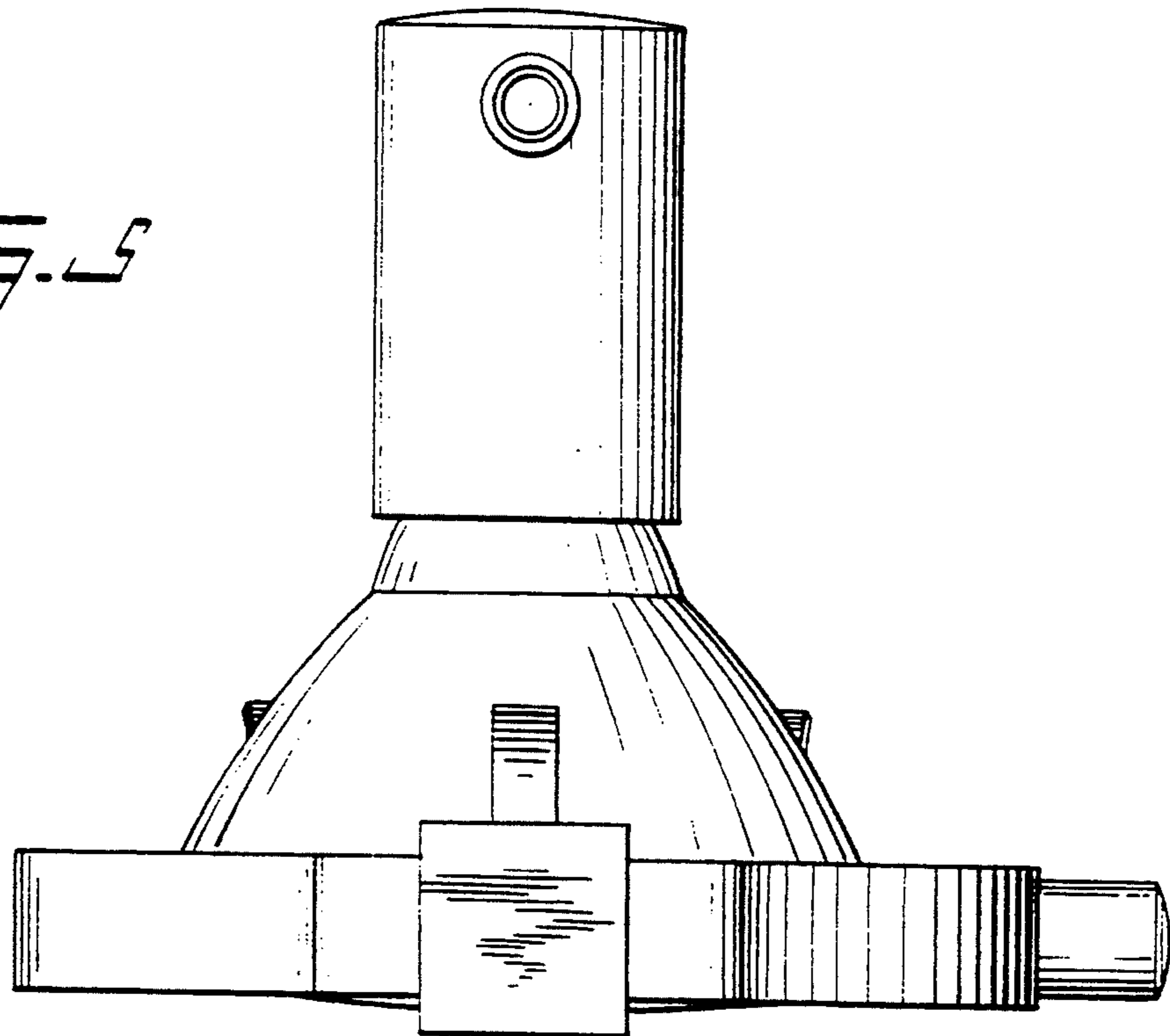


Fig. 6

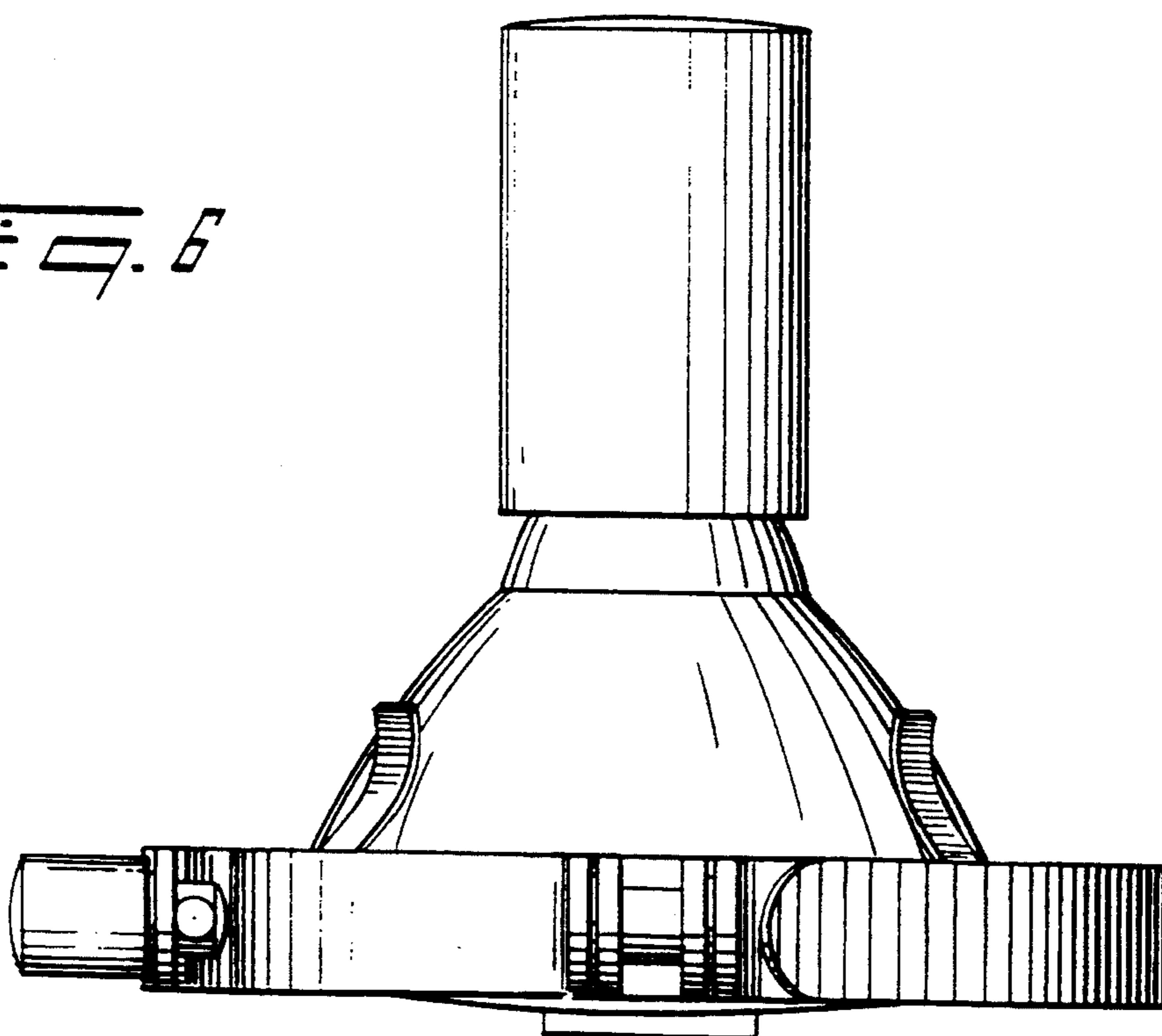


Fig. 7

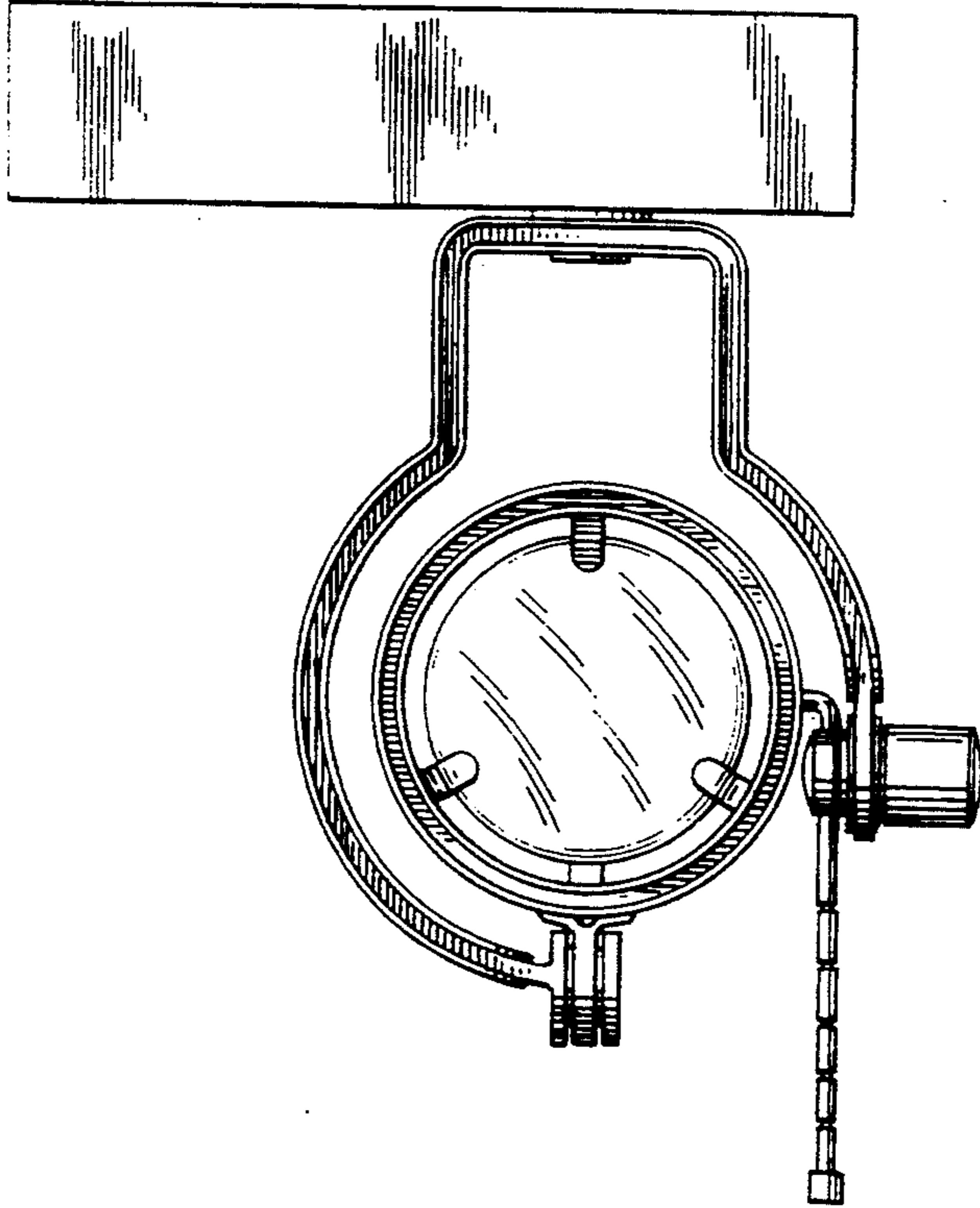


Fig. 8

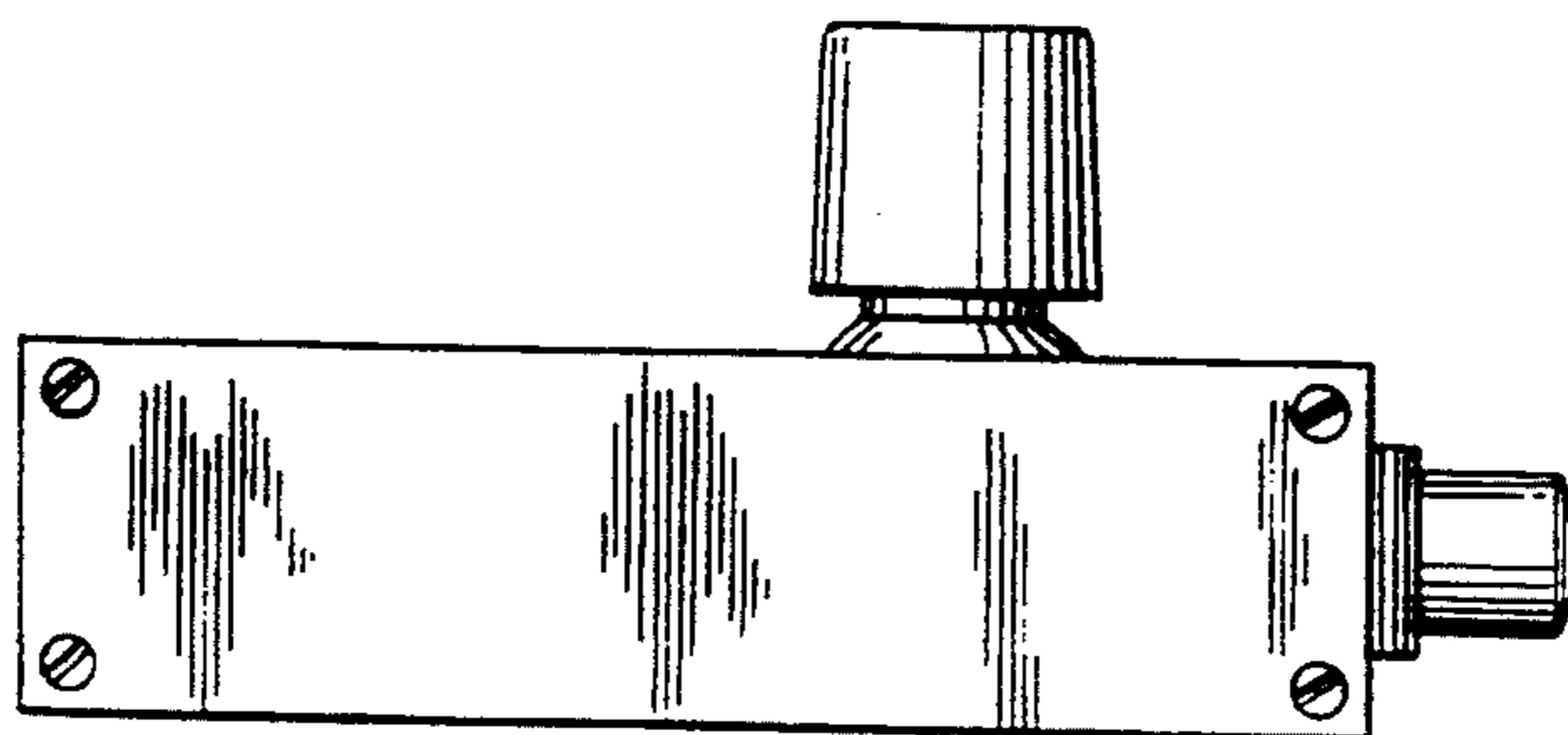
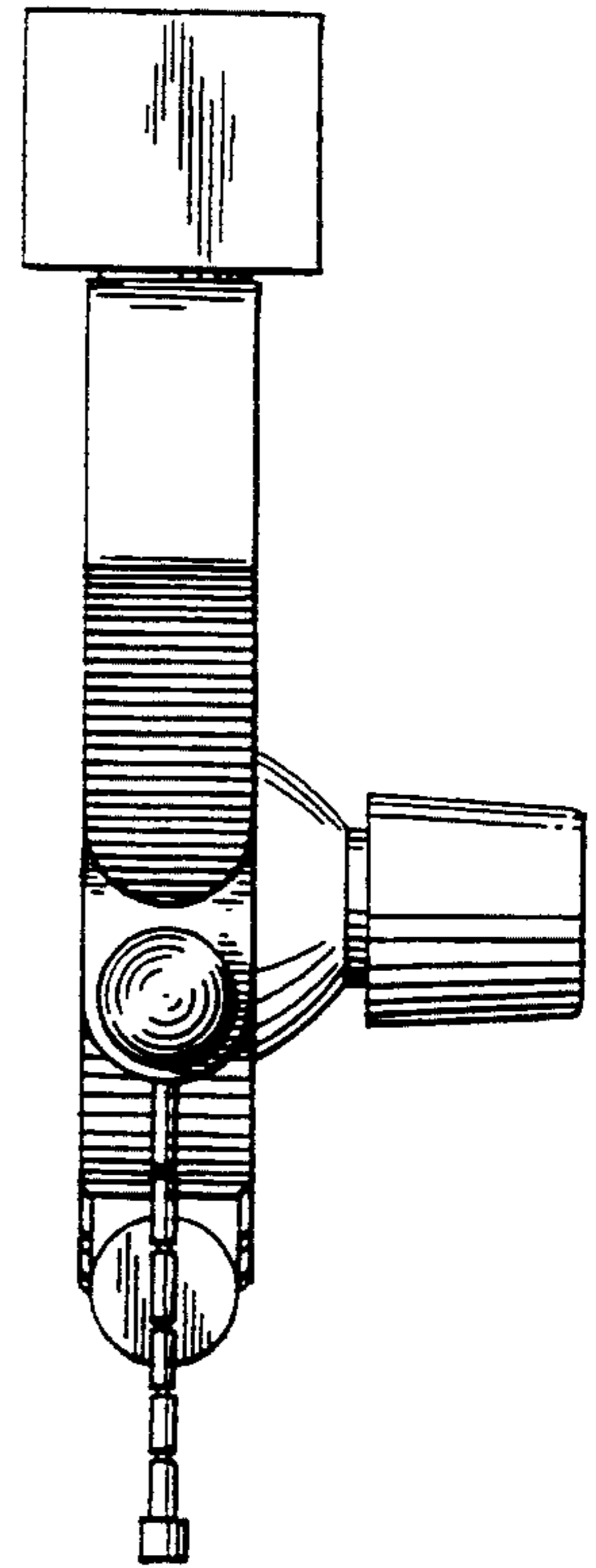


Fig. 9

FIG. 10

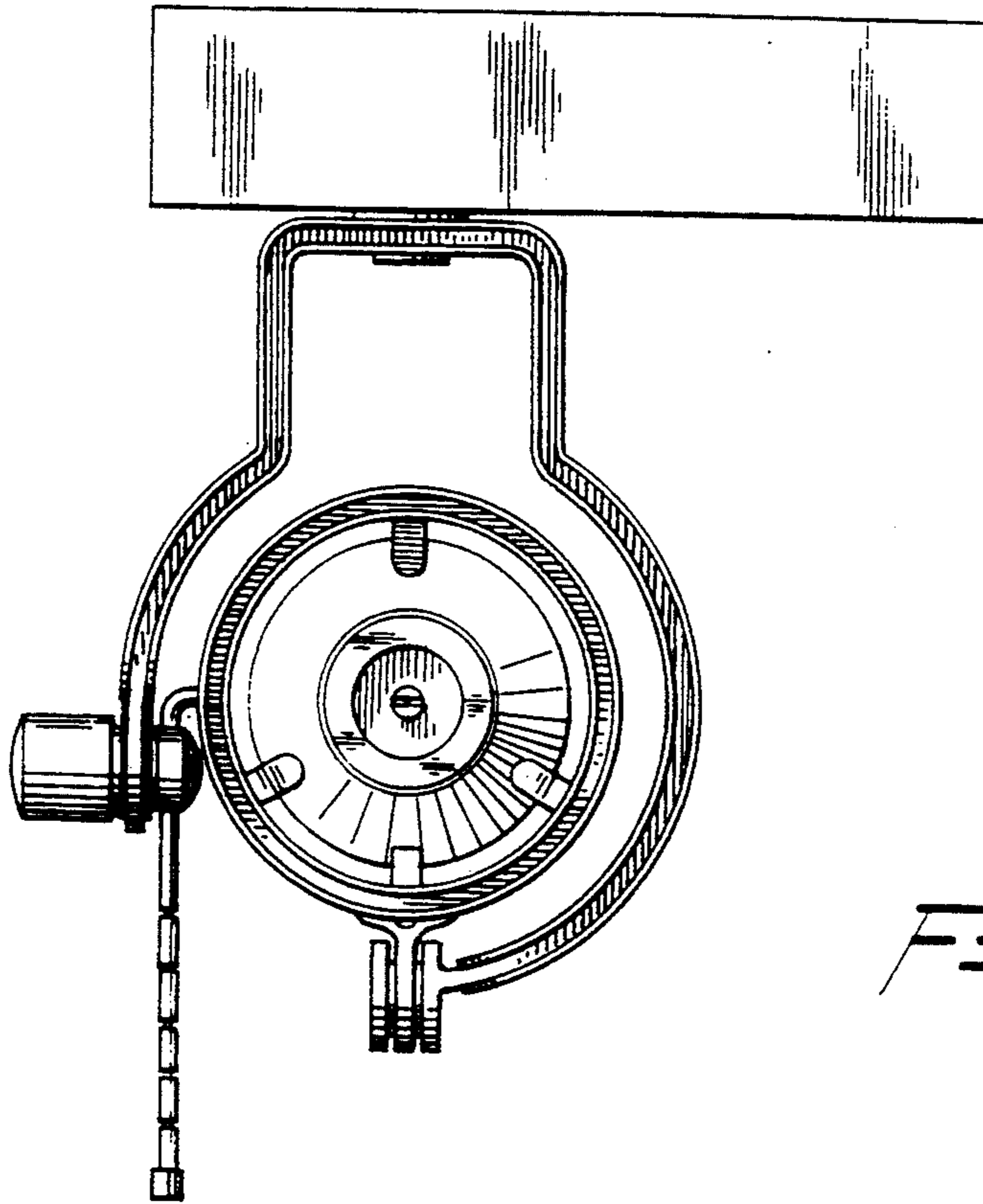


FIG. 11

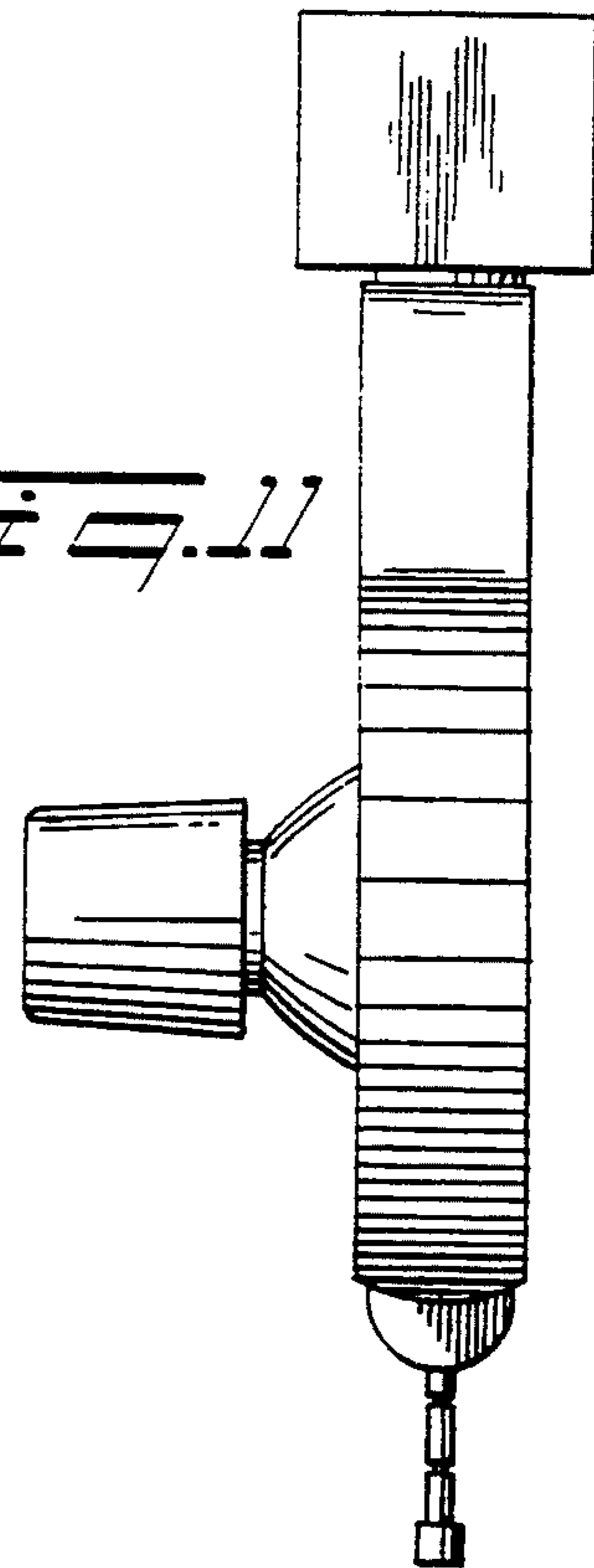


FIG. 12

