



US00D351037S

# United States Patent [19]

[11] Patent Number: **Des. 351,037**

**Poon**

[45] Date of Patent: **\*\* Sep. 27, 1994**

[54] **COMBINED FLASHER AND FLUORESCENT LANTERN**

4,432,043 2/1984 Yuen ..... 362/184

[75] Inventor: **Tit W. Poon, Chai Wan, Hong Kong**

*Primary Examiner*—Wallace R. Burke  
*Assistant Examiner*—Marcus Jackson  
*Attorney, Agent, or Firm*—Oliff & Berridge

[73] Assignee: **Flying Dragon Development Limited, Chai Wan, Hong Kong**

[57] **CLAIM**

[\*\*] Term: **14 Years**

The ornamental design for combined flasher and fluorescent lantern, as shown and described.

[21] Appl. No.: **952,777**

**DESCRIPTION**

[22] Filed: **Sep. 29, 1992**

[30] **Foreign Application Priority Data**

FIG. 1 is a bottom view of the combined flasher and fluorescent lantern;  
FIG. 2 is a front view of the combined flasher and fluorescent lantern;  
FIG. 3 is a perspective view of the combined flasher and fluorescent lantern;  
FIG. 4 is a right-side view of the combined flasher and fluorescent lantern;  
FIG. 5 is a back view of the combined flasher and fluorescent lantern;  
FIG. 6 is a left-side view of the combined flasher and fluorescent lantern; and,  
FIG. 7 is a plan view of the combined flasher and fluorescent lantern.

Mar. 31, 1992 [GB] United Kingdom ..... 2021973

[52] U.S. Cl. .... **D26/42**

[58] Field of Search ..... 362/157, 158, 183, 184, 362/185, 186, 188, 189, 190, 191, 196, 197, 198, 200, 202, 205, 206, 208; D26/37-50

[56] **References Cited**

**U.S. PATENT DOCUMENTS**

D. 252,051 6/1979 Luen ..... D26/41  
D. 278,275 4/1985 Mann ..... D26/46  
4,268,894 5/1981 Bartunek et al. .... 362/158

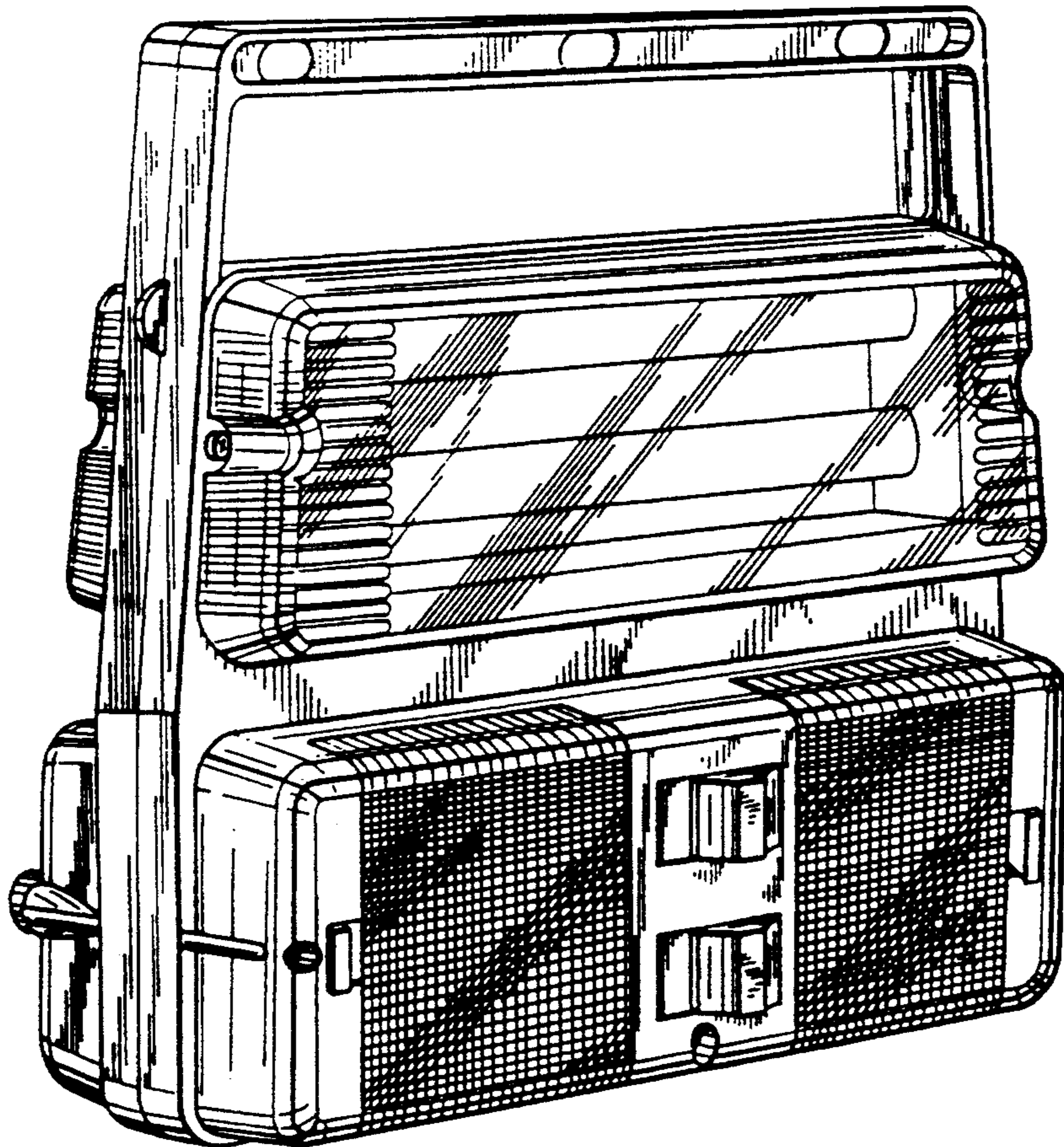


FIG. 7

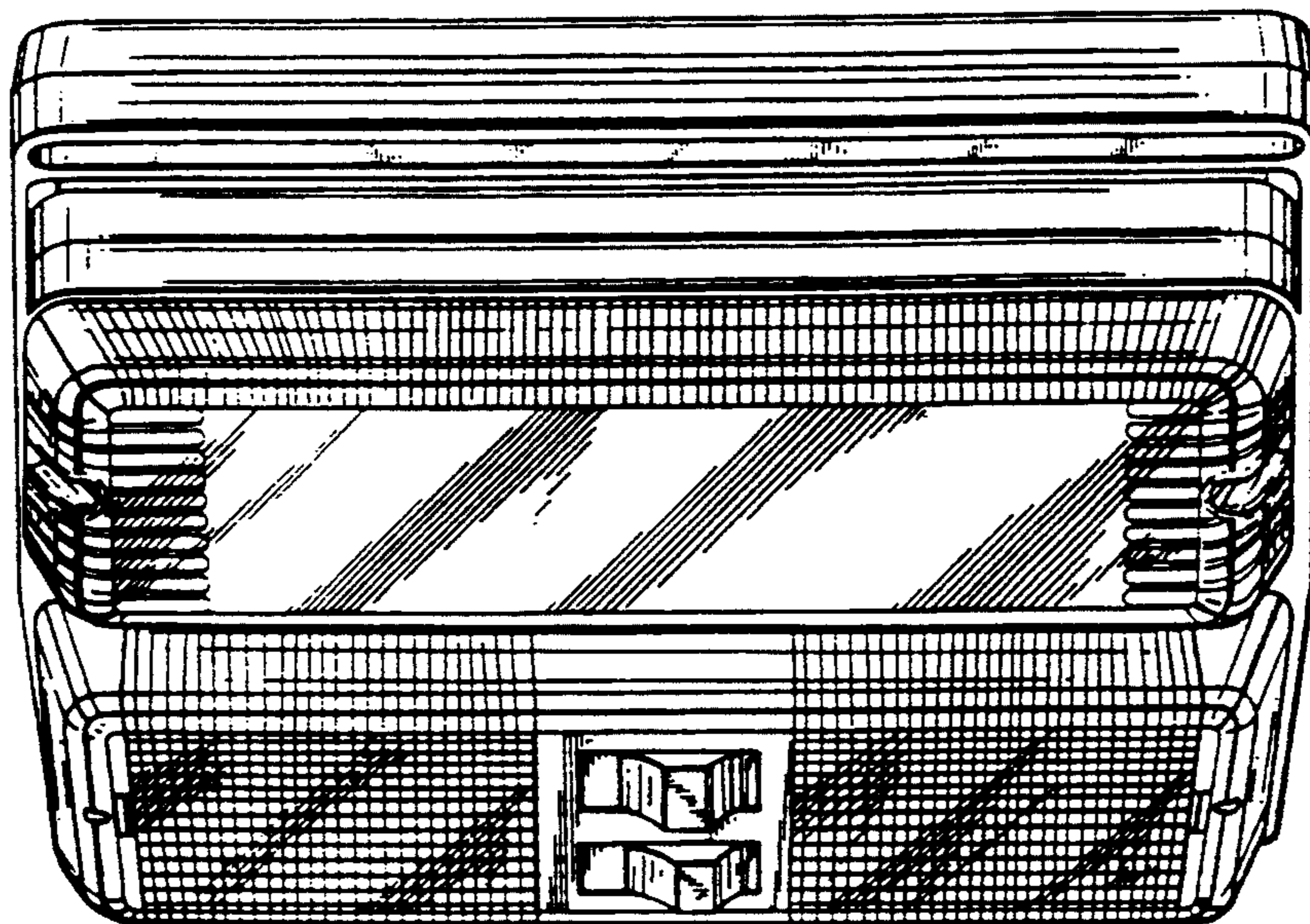


FIG. 1

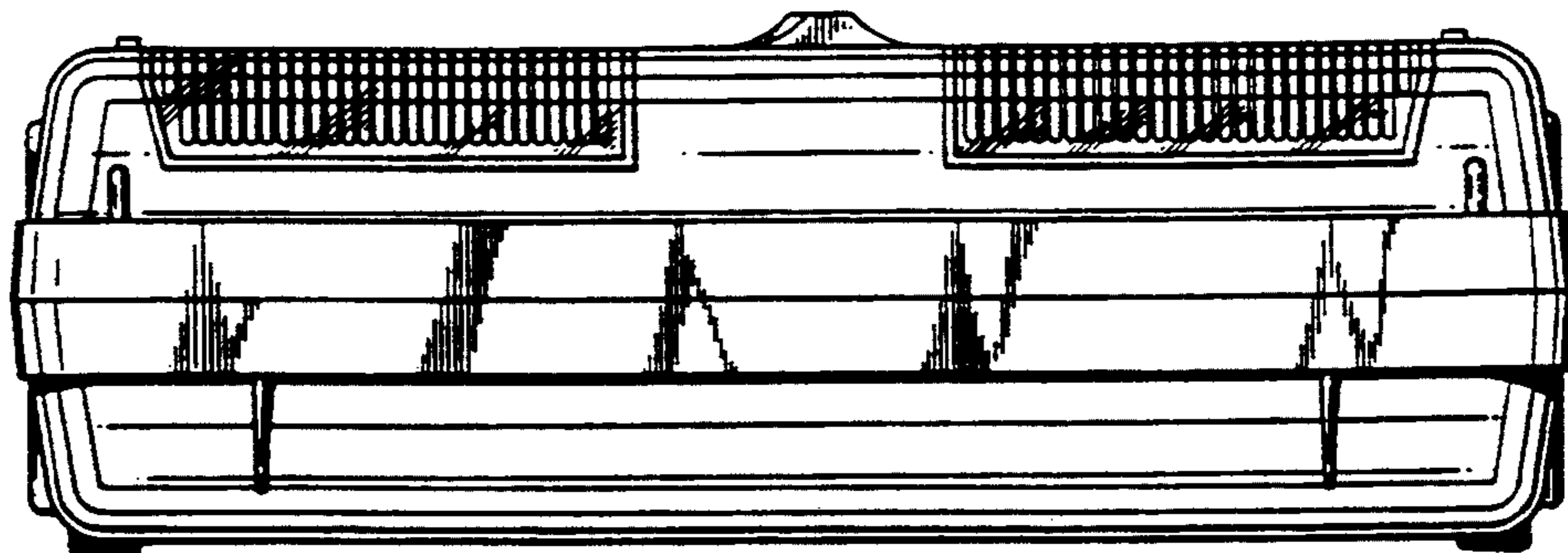




FIG. 2

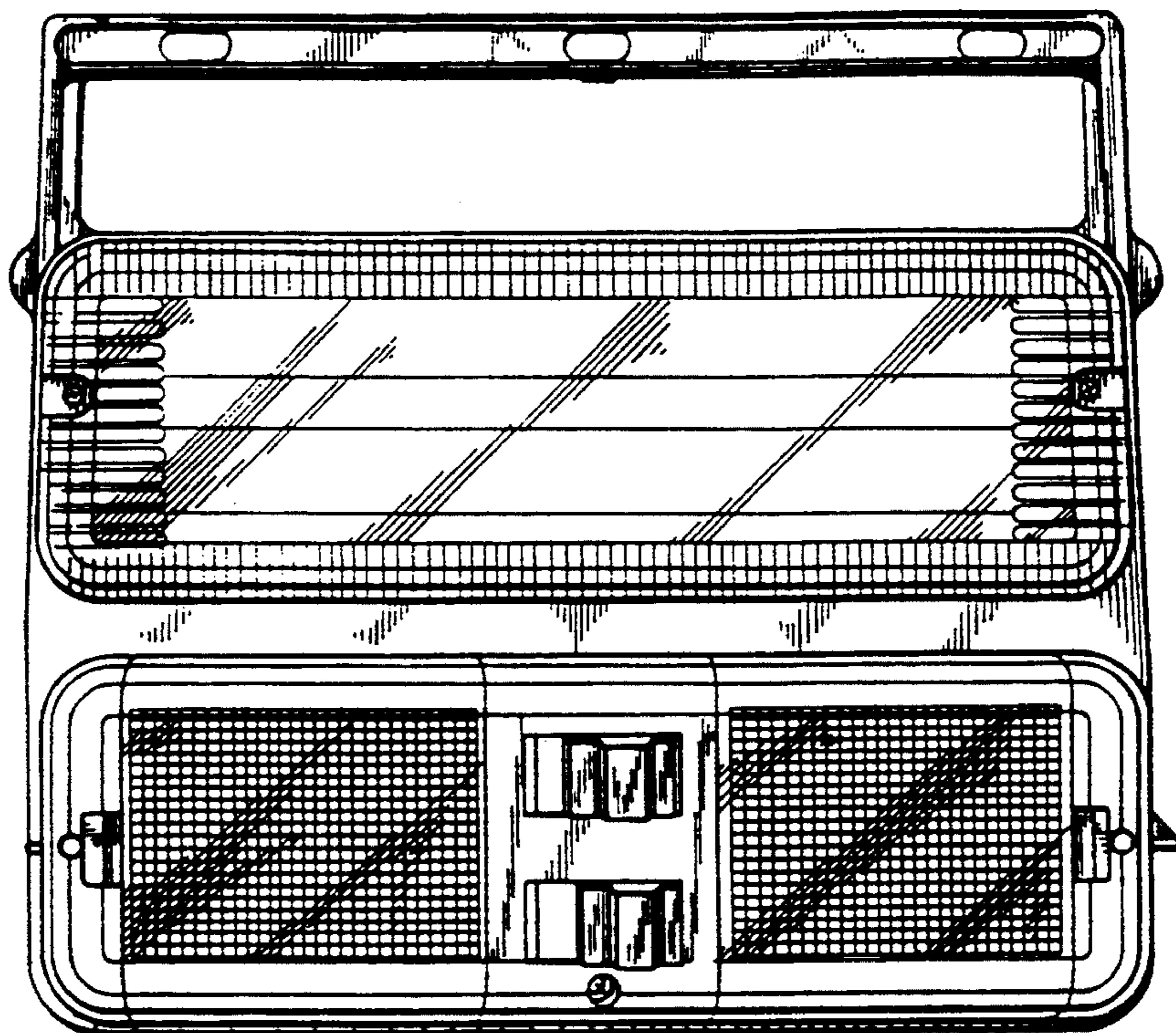


FIG. 5

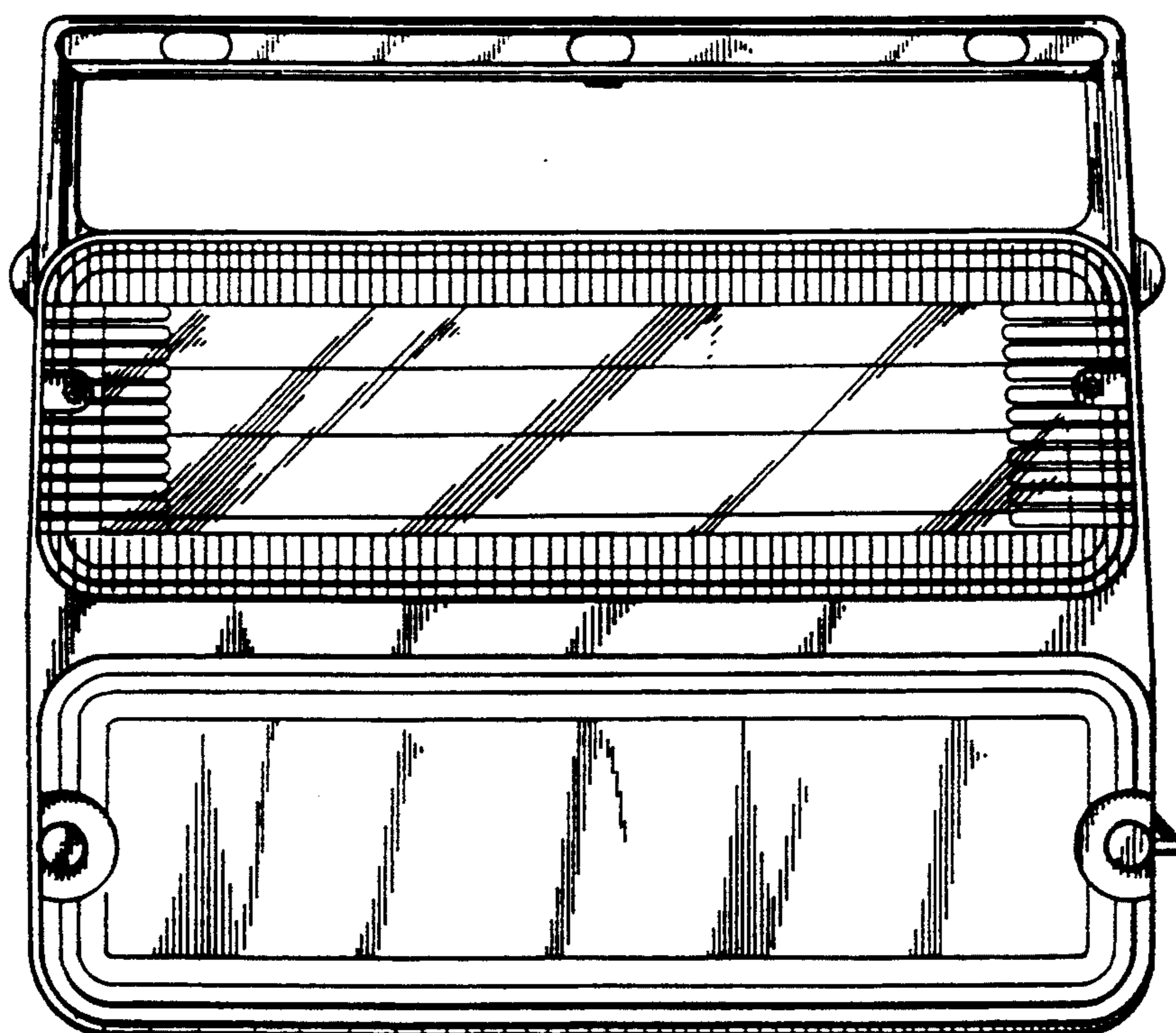
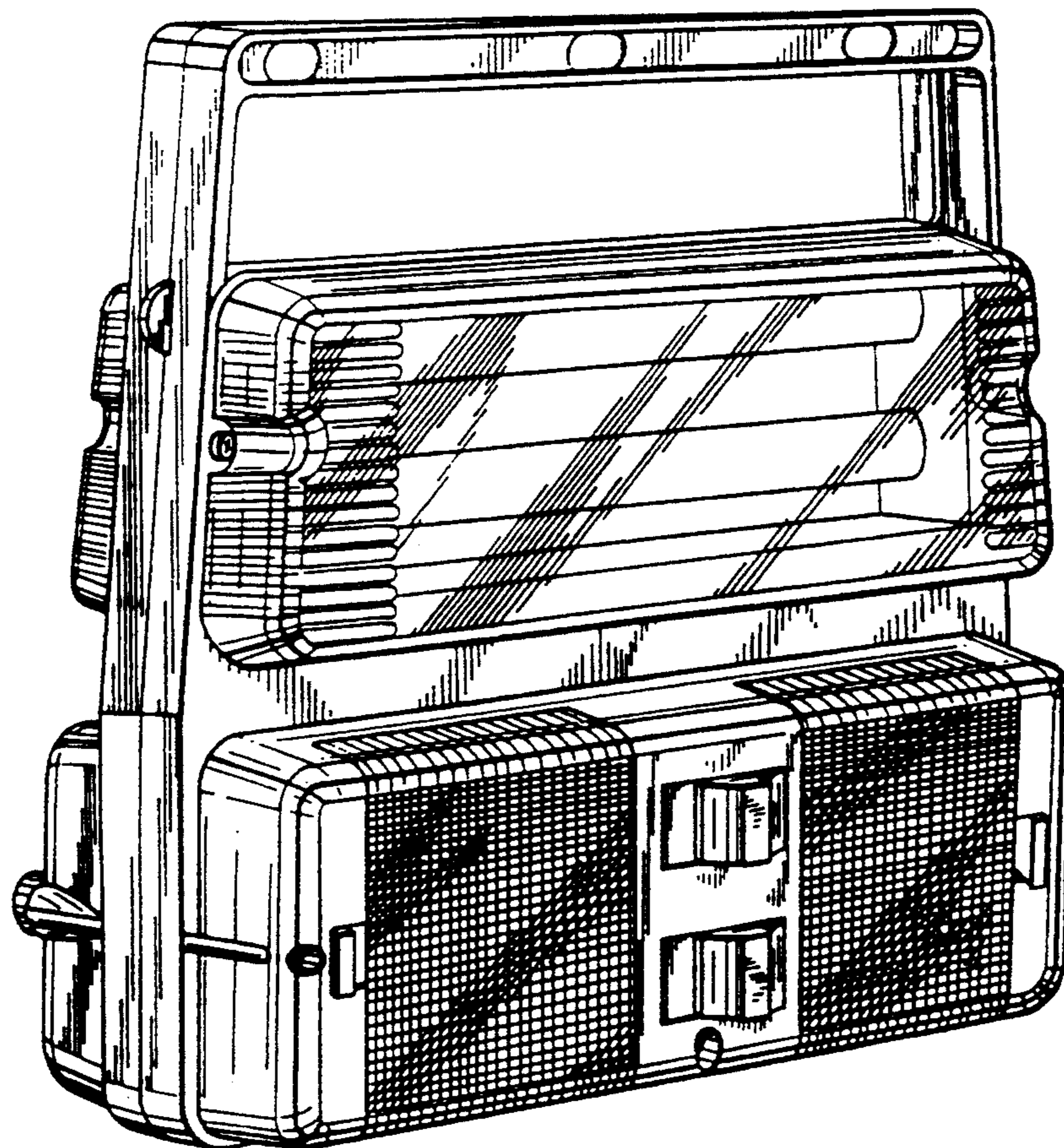


FIG. 3



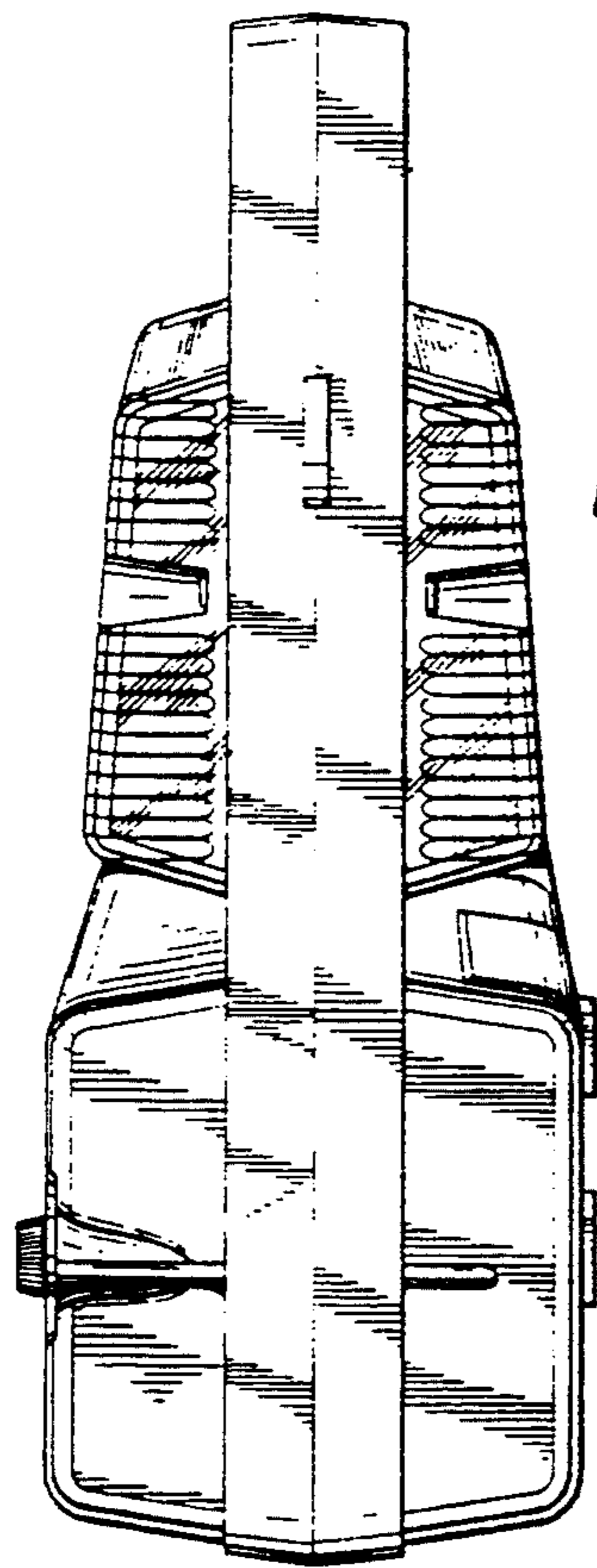


FIG. 6

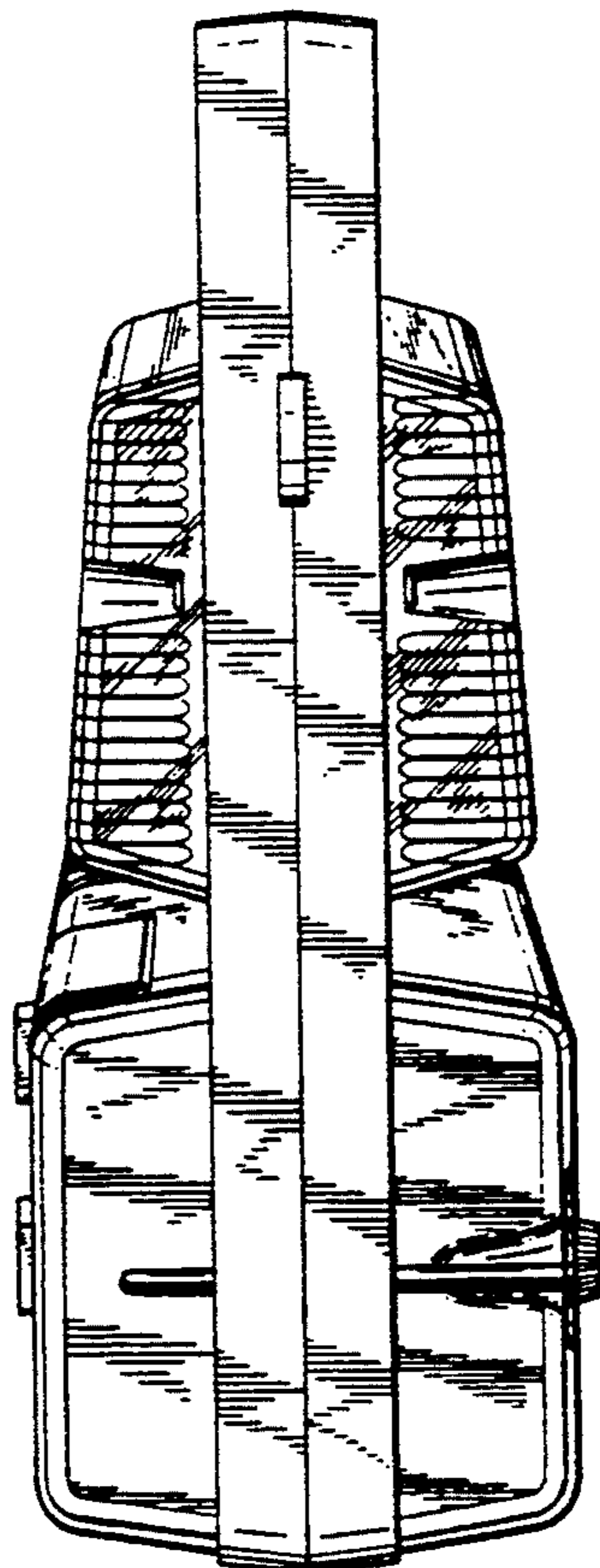


FIG. 4