



US00D351036S

United States Patent [19]

Tsushi

[11] Patent Number: **Des. 351,036**

[45] Date of Patent: **** Sep. 27, 1994**

[54] **ADJUSTABLE CLIP-ON LIGHT FOR ILLUMINATING A BICYCLE SPEEDOMETER**

[75] Inventor: **Masao Tsushi, Osaka, Japan**

[73] Assignee: **Cateye Co., Ltd., Osaka, Japan**

[**] Term: **14 Years**

[21] Appl. No.: **14,337**

[22] Filed: **Oct. 19, 1993**

[30] **Foreign Application Priority Data**

Apr. 23, 1993 [JP] Japan 5-12190

[52] U.S. Cl. **D26/29; D26/60**

[58] Field of Search 362/157, 158, 197, 198, 362/190, 191, 396, 269, 418, 419, 427, 72; D26/60, 61, 63, 65, 37, 44, 138, 140, 28, 29

[56] **References Cited**

U.S. PATENT DOCUMENTS

1,261,667 4/1918 Winter 362/396 X

4,597,031 6/1986 Tsuyama 362/396 X

FOREIGN PATENT DOCUMENTS

1472278 1/1967 France 362/72

Primary Examiner—Susan J. Lucas

Attorney, Agent, or Firm—Allegretti & Witcoff, Ltd.

[57] **CLAIM**

The ornamental design for a adjustable clip-on light for illuminating a bicycle speedometer, as shown and described.

DESCRIPTION

FIG. 1 is a front view of an embodiment of a adjustable clip-on light for illuminating a bicycle speedometer; FIG. 2 is a rear view thereof; FIG. 3 is a top plan view thereof; FIG. 4 is a bottom plan view thereof; FIG. 5 is a right side view thereof; FIG. 6 is a left side view thereof; FIG. 7 is a perspective view thereof; and, FIG. 8 is a right side view thereof with the lamp and belt in alternate positions.

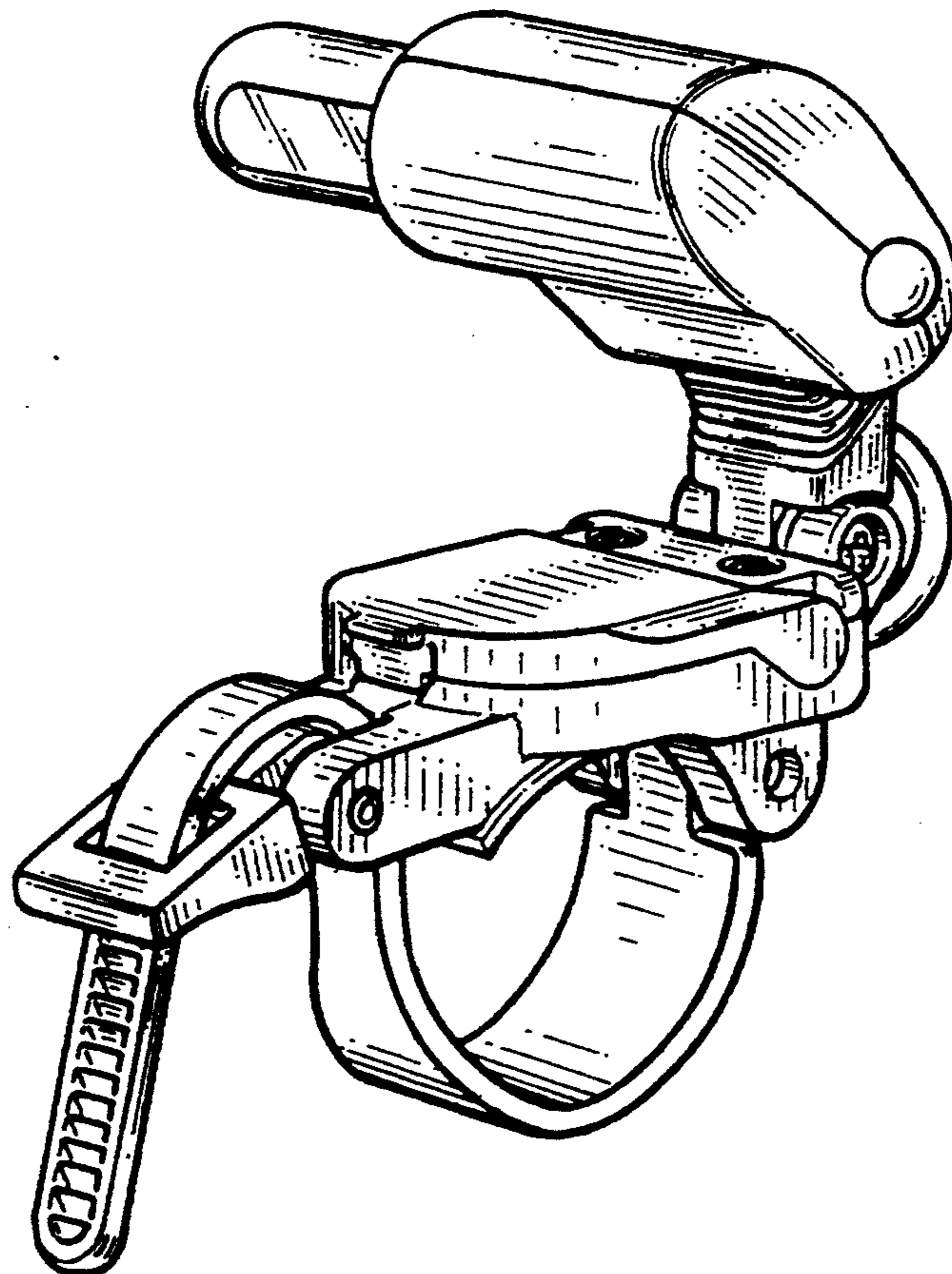


FIG. 1

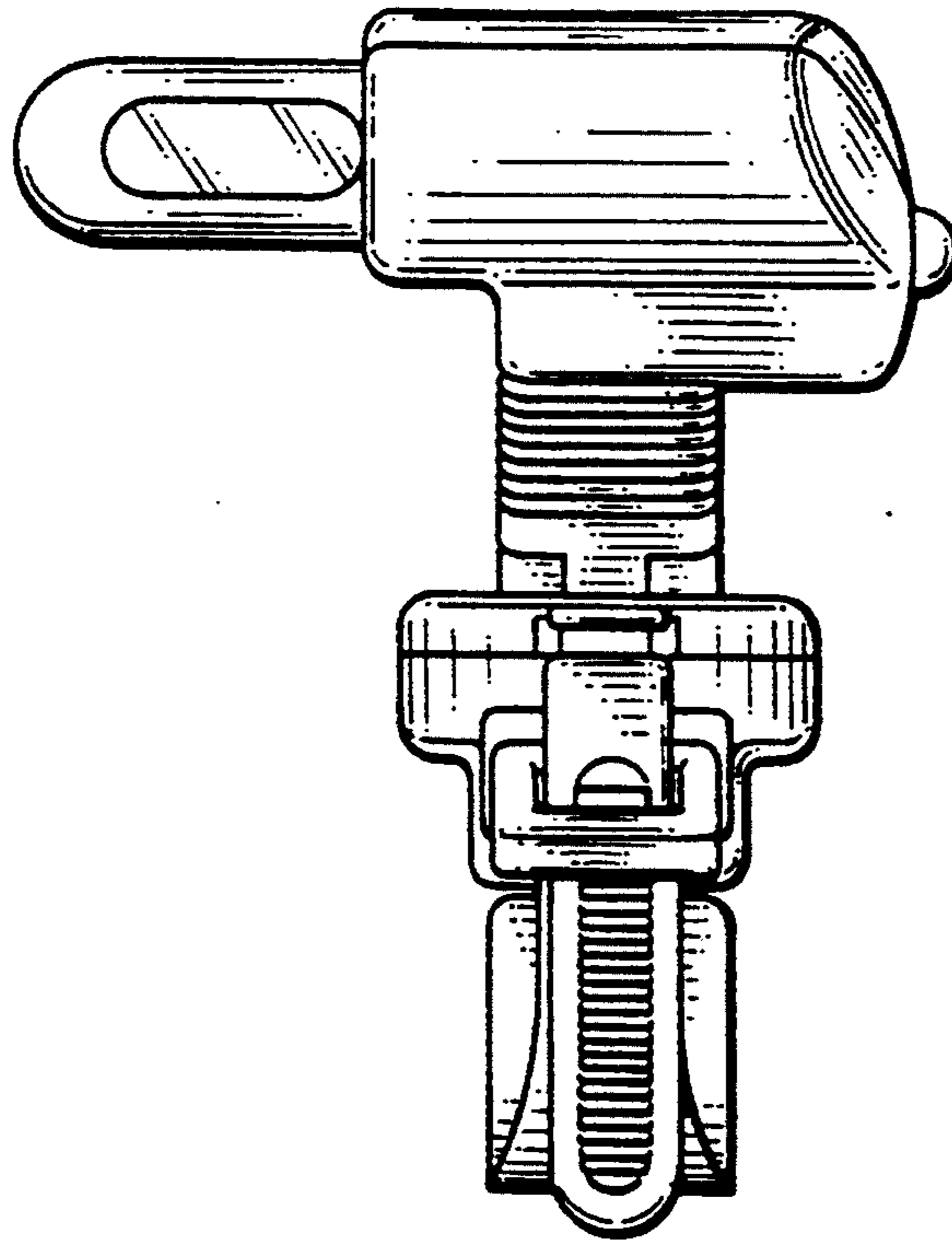


FIG. 2

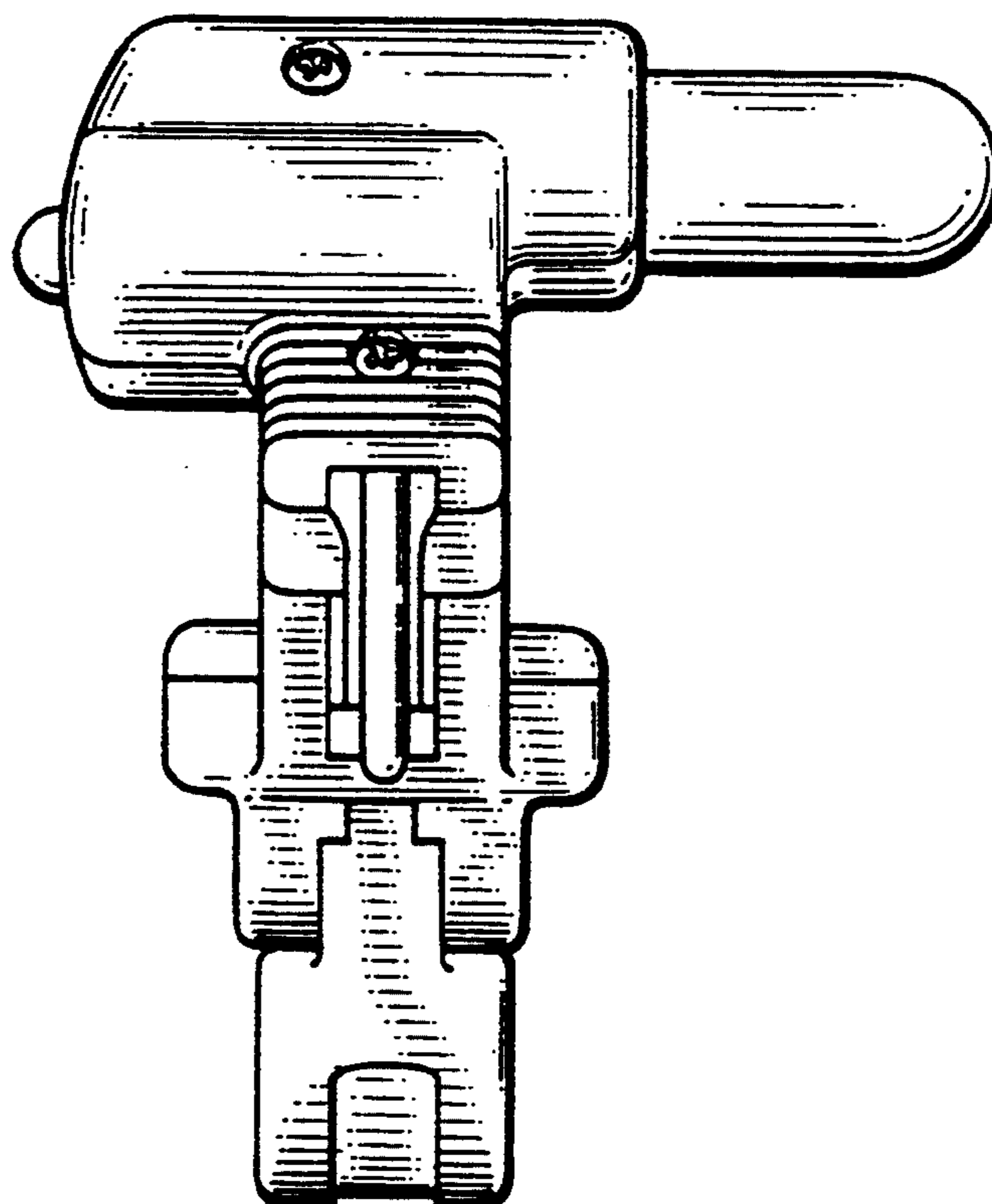


FIG. 3

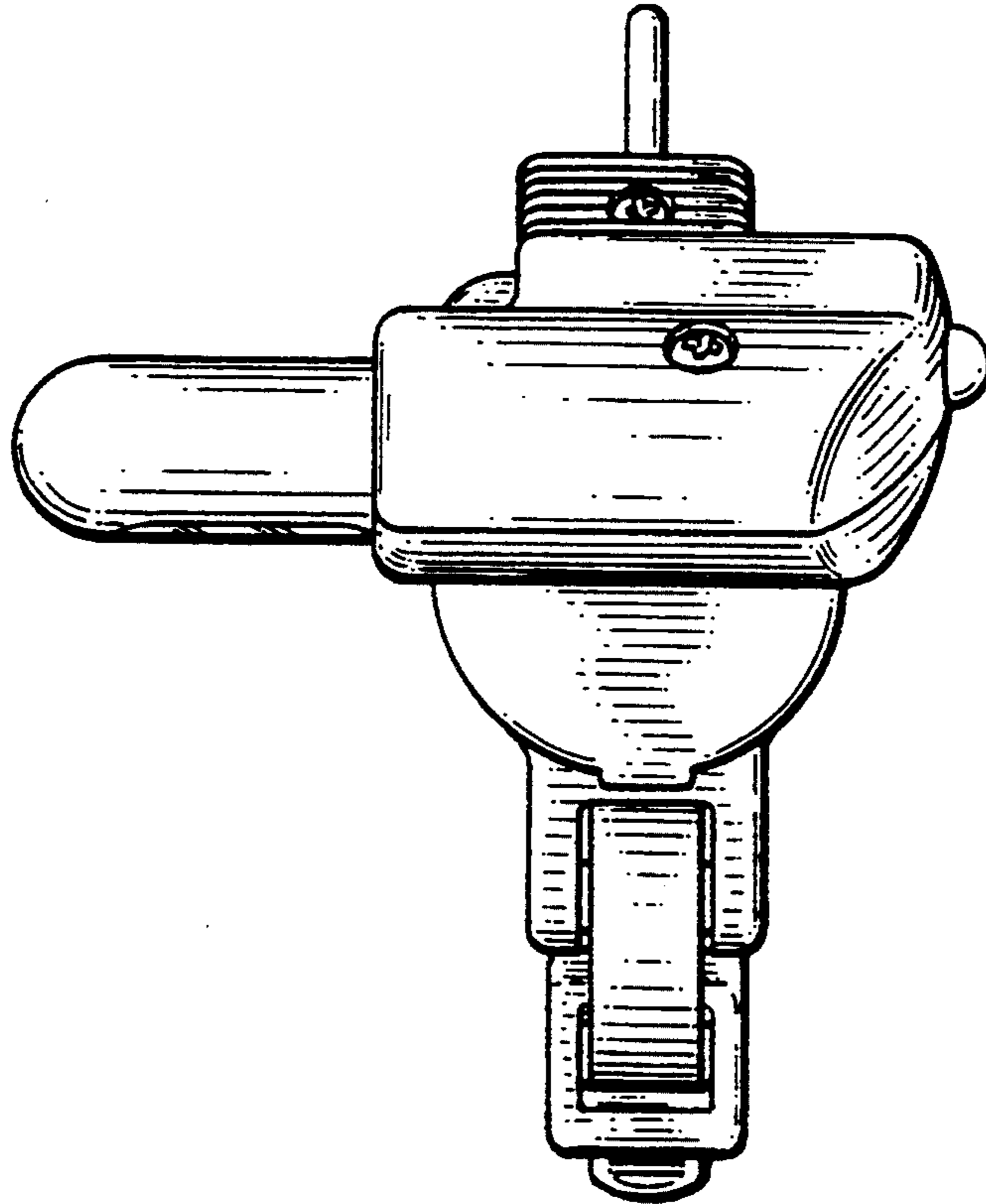


FIG. 4

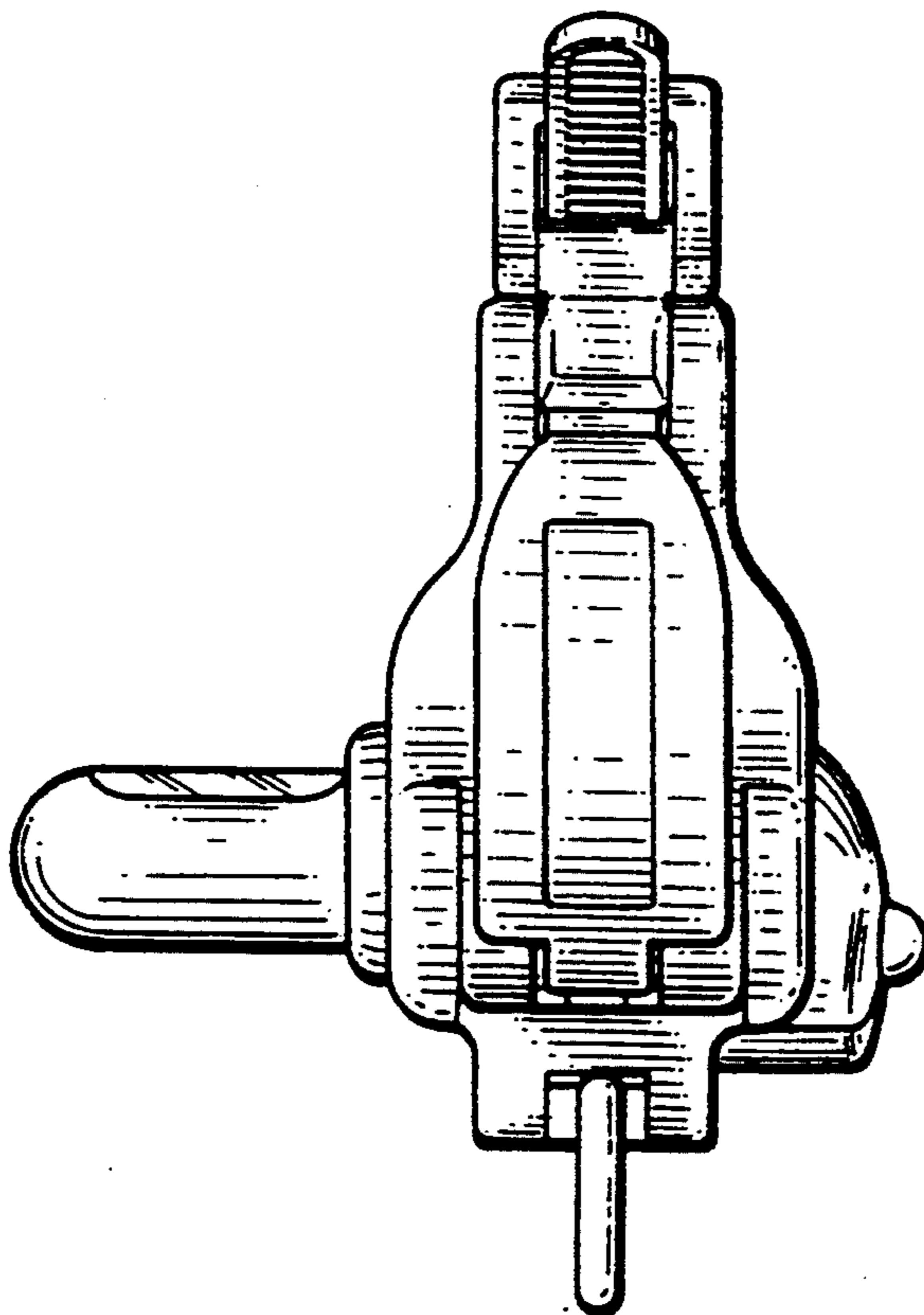


FIG. 5

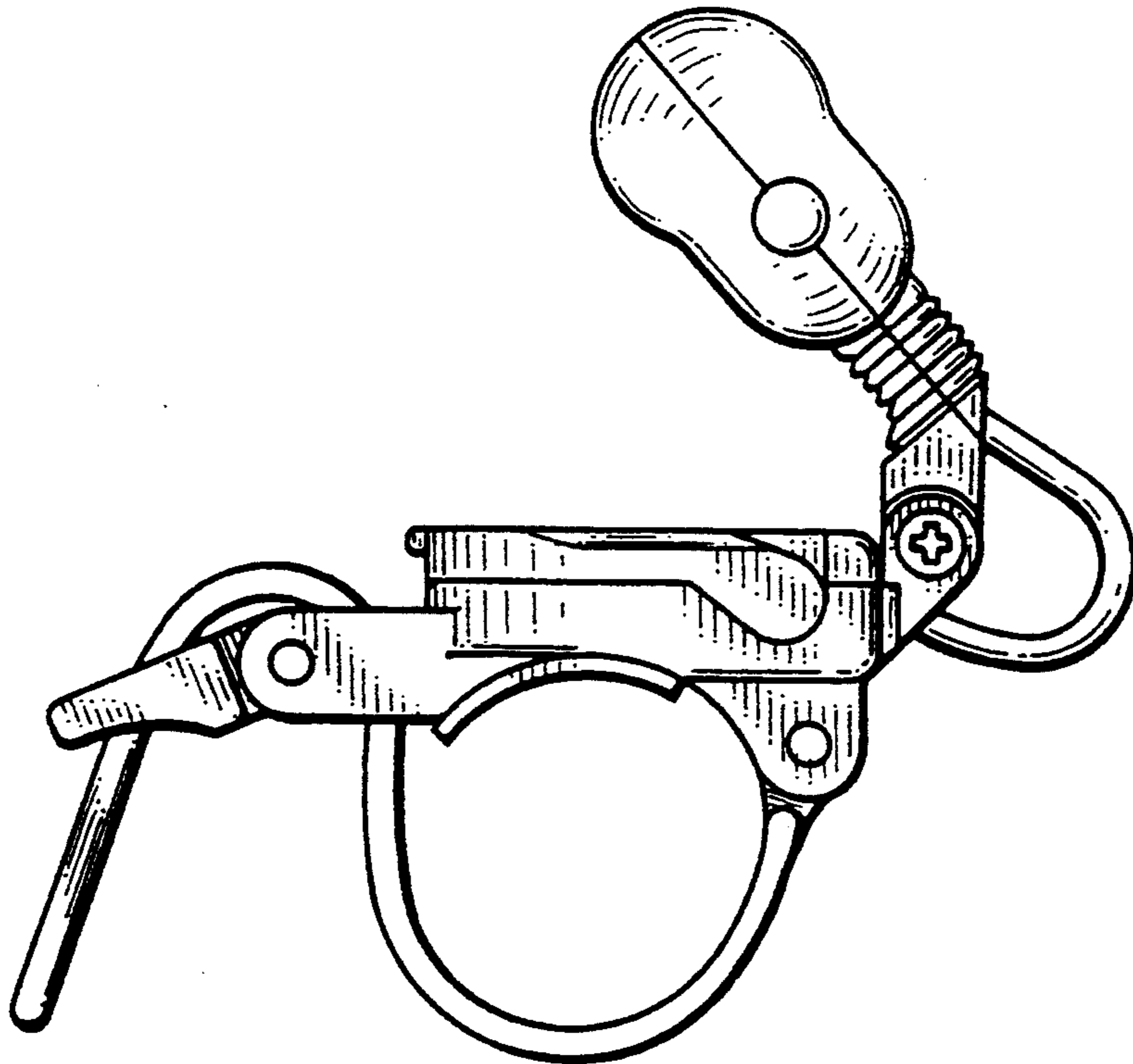


FIG. 6

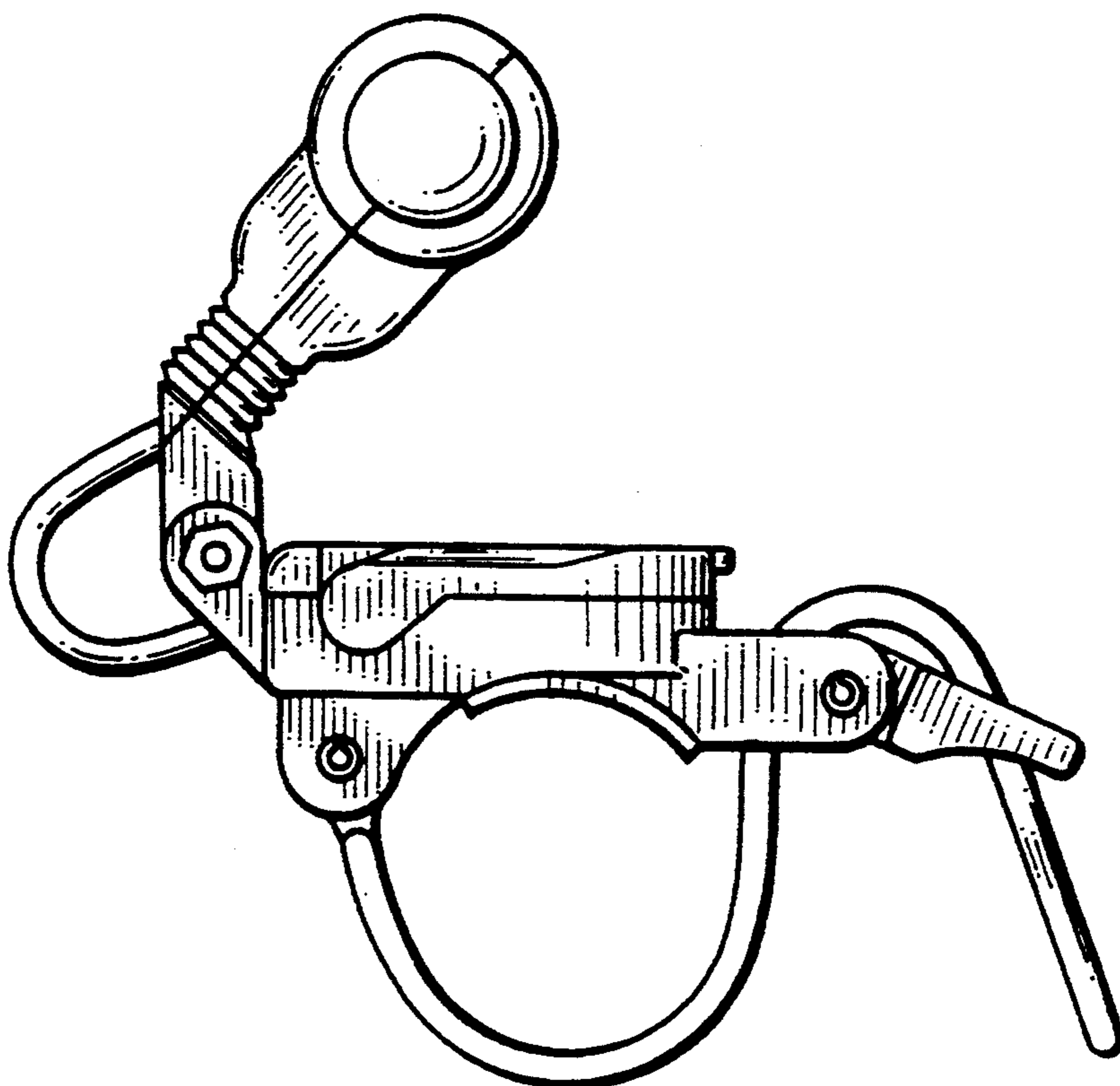


FIG. 7

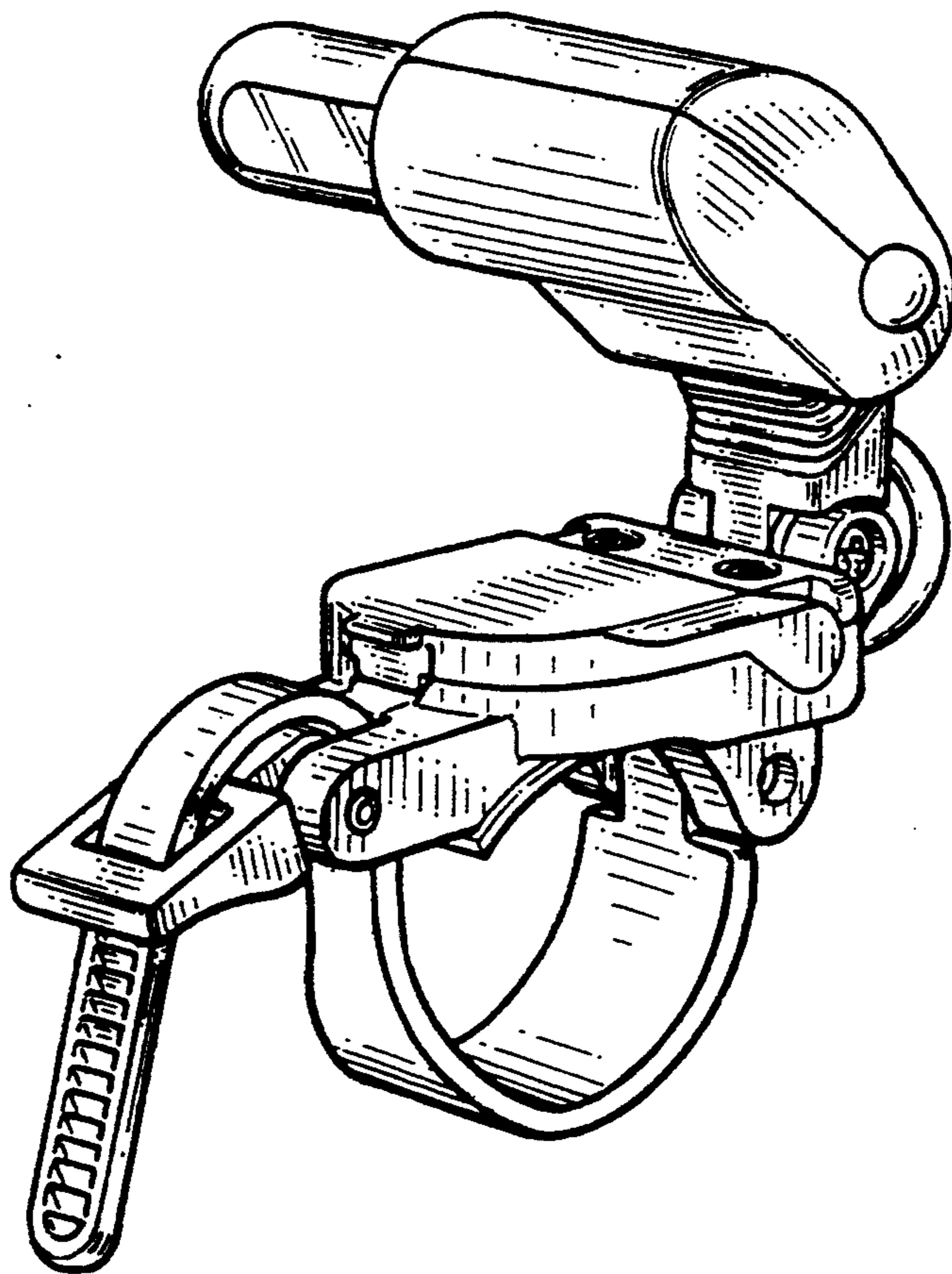


FIG. 8

