



US00D351033S

United States Patent [19] Cole

[11] **Patent Number: Des. 351,033**

[45] **Date of Patent: ** Sep. 27, 1994**

[54] **WINDOW COMPONENT EXTRUSION**

[75] **Inventor: Douglas L. Cole, Seattle, Wash.**

[73] **Assignee: Mikron Industries, Kent, Wash.**

[**] **Term: 14 Years**

[21] **Appl. No.: 7,424**

[22] **Filed: Apr. 22, 1993**

[52] **U.S. Cl. D25/124**

[58] **Field of Search 49/504, 505, DIG. 1, 49/DIG. 2; 52/204.1, 204.5; D25/124, 60, 52**

[56] **References Cited**

U.S. PATENT DOCUMENTS

D. 338,721 8/1993 Cole D25/124

3,703,063 11/1972 Budich et al. 52/204.1
4,852,312 8/1989 Harbom 49/DIG. 2
4,974,364 12/1990 Durham, Jr. 49/504

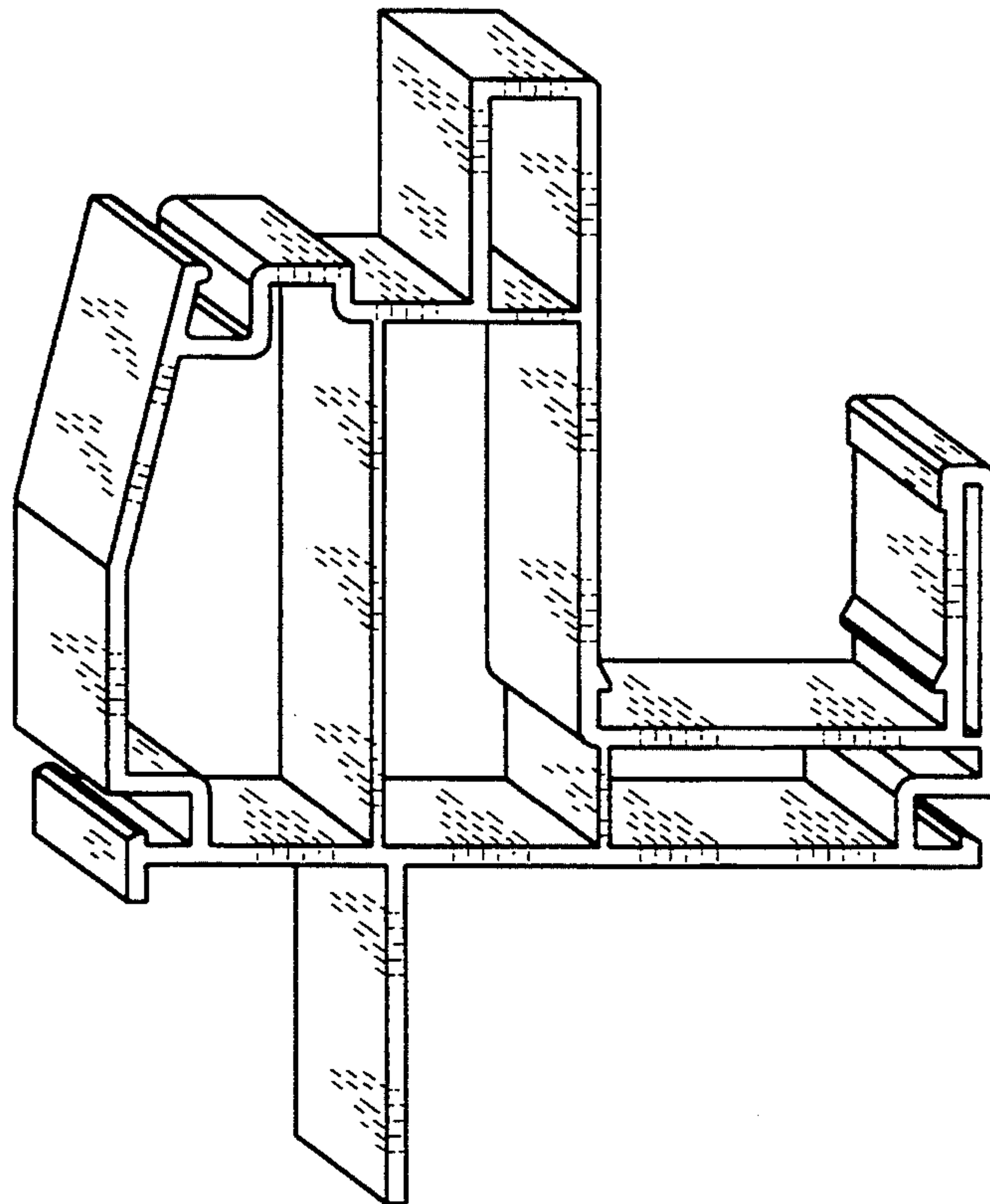
Primary Examiner—A. Hugo Word
Assistant Examiner—Doris Clark
Attorney, Agent, or Firm—Seed and Berry

[57] **CLAIM**

The ornamental design for a window component extrusion, as shown and described.

DESCRIPTION

FIG. 1 is a top right perspective view of a window component extrusion showing my new design, the window component extrusion being of indefinite length; and, FIG. 2 is a bottom left perspective view thereof.



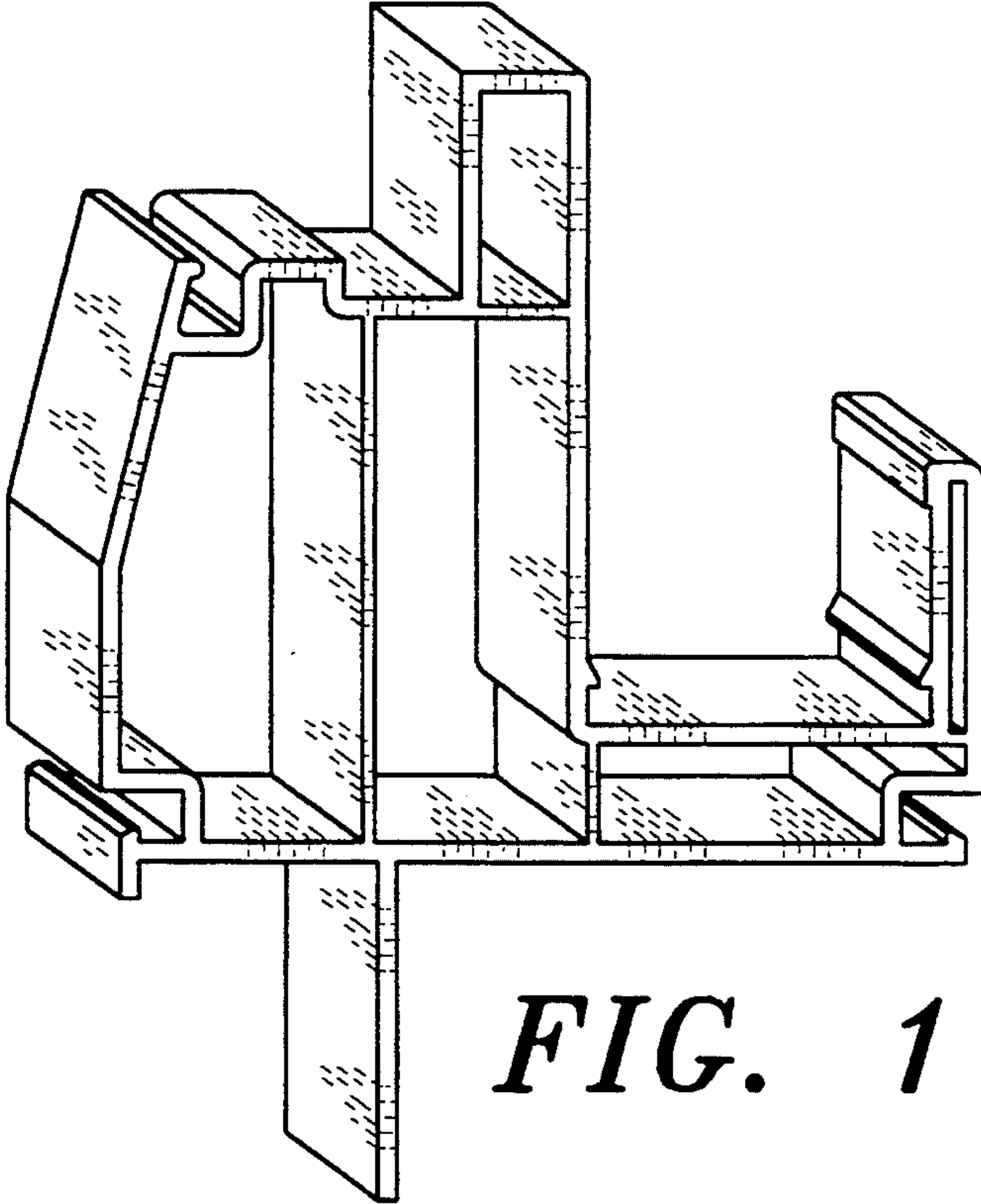


FIG. 1

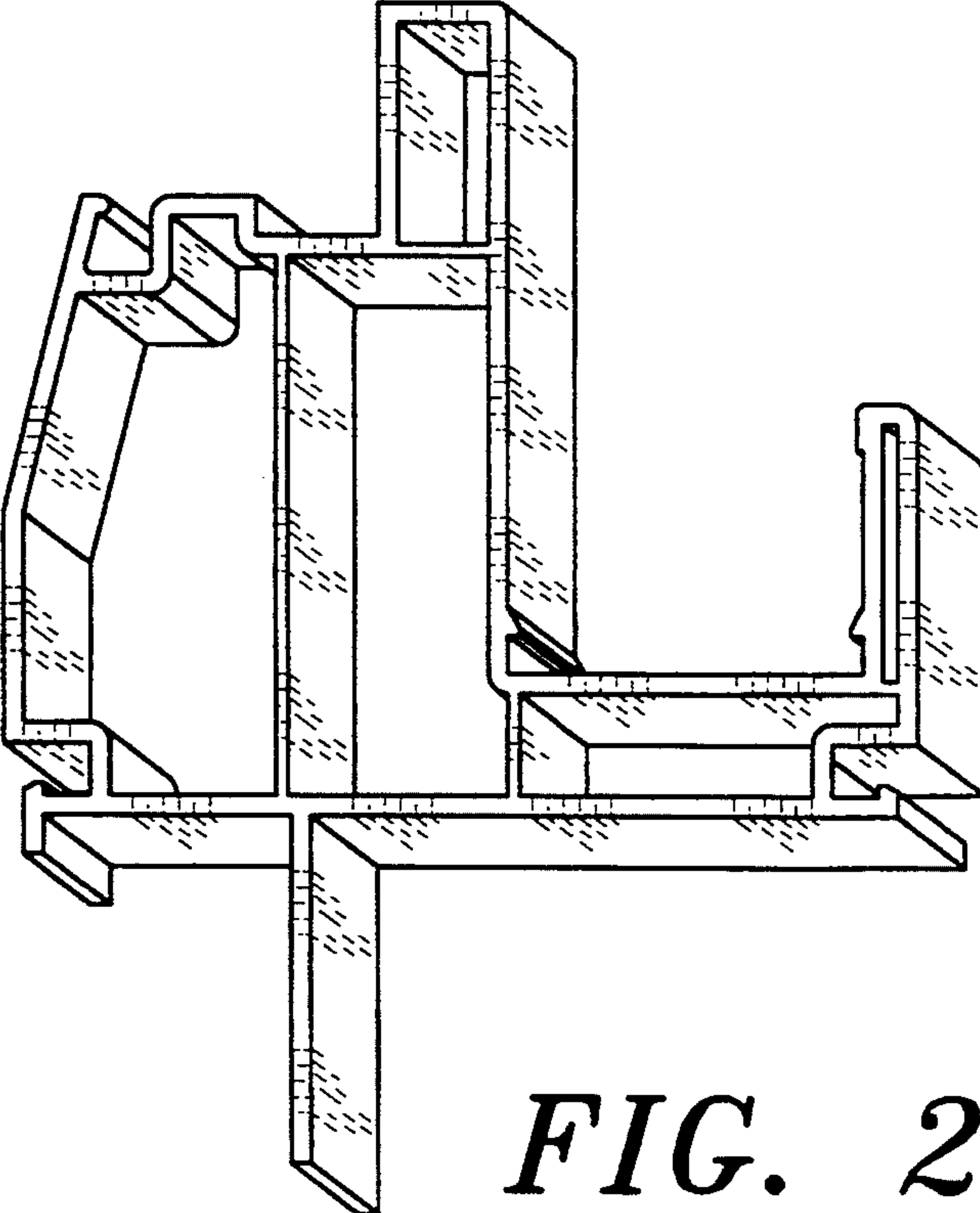


FIG. 2



US008351033B1

REEXAMINATION CERTIFICATE (3683rd)

United States Patent [19]

[11] **B1 Des. 351,033**

Cole

[45] **Certificate Issued**

Dec. 8, 1998

[54] **WINDOW COMPONENT EXTRUSION**

[58] **Field of Search** D25/119-125,
D25/60, 52; 49/504, 505, DIG. 1, DIG. 2;
52/204.1, 204.5, 731

[75] **Inventor:** Douglas L. Cole, Seattle, Wash.

[73] **Assignee:** Mikron Industries, Kent, Wash.

[56] **References Cited**
PUBLICATIONS

Reexamination Request:

No. 90/004,689, Jul. 3, 1997

Sales/Marketing Publication of Insulate Industries, Inc. dated 1986.

Reexamination Certificate for:

Patent No.: Des. 351,033
Issued: Sep. 27, 1994
Appl. No.: 7,424
Filed: Apr. 22, 1993

Sales/Marketing Publication of Milguard Manufacturing, Inc. dated 1992 (pages numbered by requester).

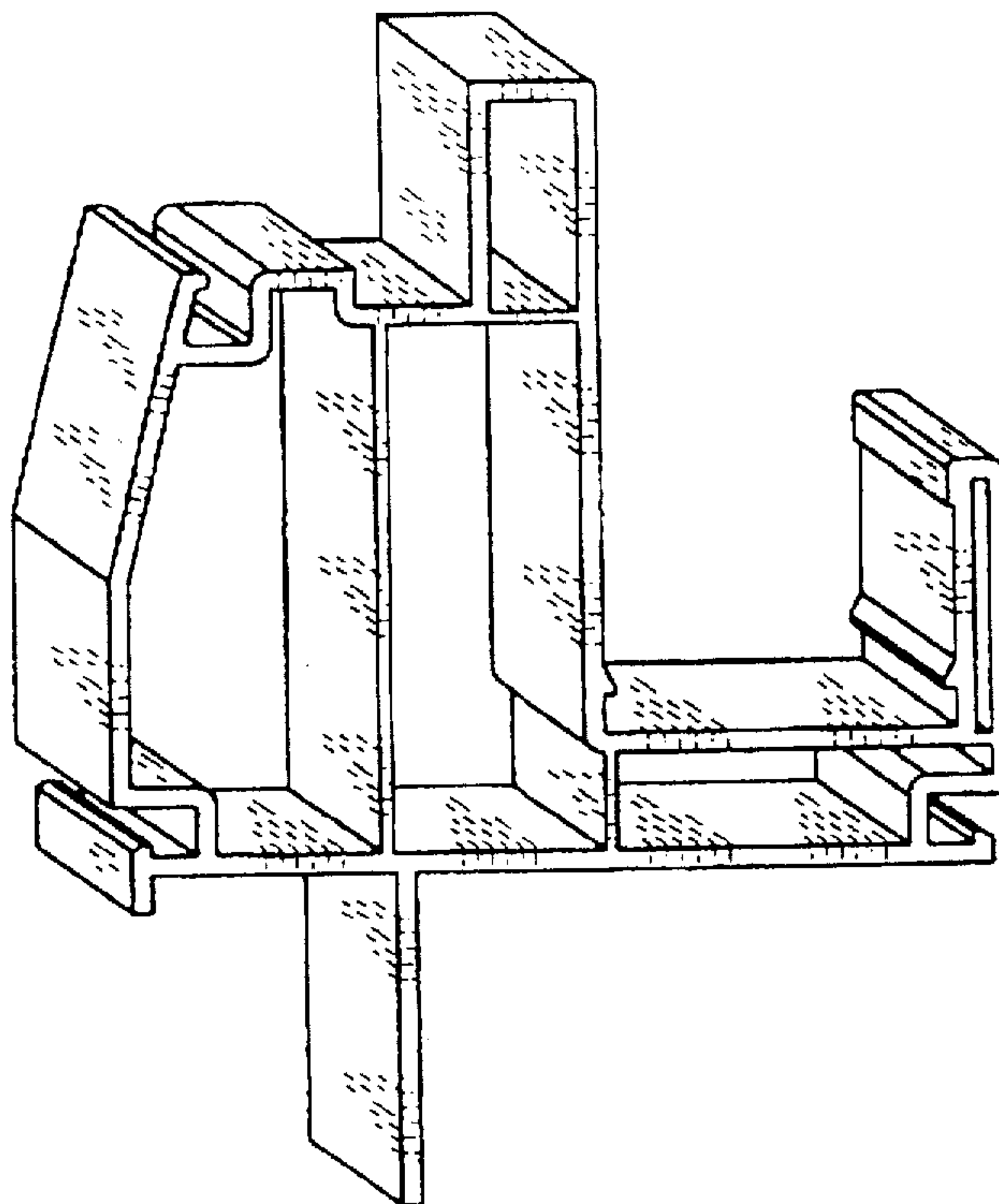
Sales/Marketing Publication of Viking Industries, Inc. dated 1992 (pages numbered by requester).

Sales/Marketing Publication of Viking Industries, Inc. dated 1991 (pages numbered by requester).

[51] **LOC (6) Cl.** 25-01

[52] **U.S. Cl.** D25/124

Primary Examiner—D Clark



B1 Des. 351,033

1

**REEXAMINATION CERTIFICATE
ISSUED UNDER 35 U.S.C. 307**

NO AMENDMENTS HAVE BEEN MADE TO
THE PATENT

2

AS A RESULT OF REEXAMINATION, IT HAS BEEN
DETERMINED THAT:

The patentability of the single claim is confirmed.

* * * * *