



US00D351031S

United States Patent [19]
Crawford et al.

[11] **Patent Number: Des. 351,031**
[45] **Date of Patent: ** Sep. 27, 1994**

[54] **RETAINING WALL STONE**
[75] **Inventors: John L. Crawford; John M. Sowder; Winnie M. G. Crawford, all of St. Louis, Mo.**
[73] **Assignee: Infinity Stone, Inc., St. Louis, Mo.**
[**] **Term: 14 Years**
[21] **Appl. No.: 902**
[22] **Filed: Oct. 28, 1992**
[52] **U.S. Cl. D25/117**
[58] **Field of Search 403/284; 52/596, 608, 52/605, 606, 604, 611, 610; D25/114, 117**

4,802,320 2/1989 Forsberg .
4,825,619 5/1989 Forsberg .
4,875,803 10/1989 Scales .
4,914,876 4/1990 Forsberg .
4,920,712 5/1990 Dean .
4,923,339 5/1990 Smith 405/284
4,930,283 6/1990 Winkler .
4,964,761 10/1990 Rossi .
4,965,979 10/1990 Larrivee et al. .
5,010,707 4/1991 Nelson et al. 52/608
5,020,938 6/1991 Scales .
5,044,834 9/1991 Janopaul, Jr. .
5,072,566 12/1991 Zeidman .

[56] **References Cited**
U.S. PATENT DOCUMENTS

D. 295,788 5/1988 Forsberg .
D. 295,790 5/1988 Forsberg .
D. 296,007 5/1988 Forsberg .
D. 296,365 6/1988 Forsberg .
D. 297,464 8/1988 Forsberg .
D. 297,574 9/1988 Forsberg .
D. 297,767 9/1988 Forsberg .
D. 298,463 11/1988 Forsberg .
D. 299,067 12/1988 Forsberg .
D. 300,253 3/1989 Forsberg .
D. 300,254 3/1989 Forsberg .
D. 301,064 5/1989 Forsberg .
D. 305,570 1/1990 Sakata D25/114
D. 307,792 5/1990 Poulsen D25/117
D. 317,048 5/1991 Forsberg .
D. 319,885 9/1991 Blomquist et al. .
D. 321,060 10/1991 Blomquist et al. .
3,096,621 7/1963 Danel D25/117
4,227,829 10/1980 Landry, Jr. .
4,318,642 3/1982 Barnett 405/284
4,320,596 3/1982 Wirtz 52/608
4,521,138 6/1985 Steiner .
4,661,012 4/1987 McCloskey .
4,662,794 5/1987 Delmas et al. 405/284

OTHER PUBLICATIONS

Construction Digest of Aug. 21, 1989 (pp. 28 & 29).
Engineering News-Record of May 17, 1990 (p. 17).
Midwest Contractor of Jun. 11, 1990 (pp. 24 & 26).
Article from Popular Science of Jun. 1990 entitled Home Newsfront by Gilmore et al.

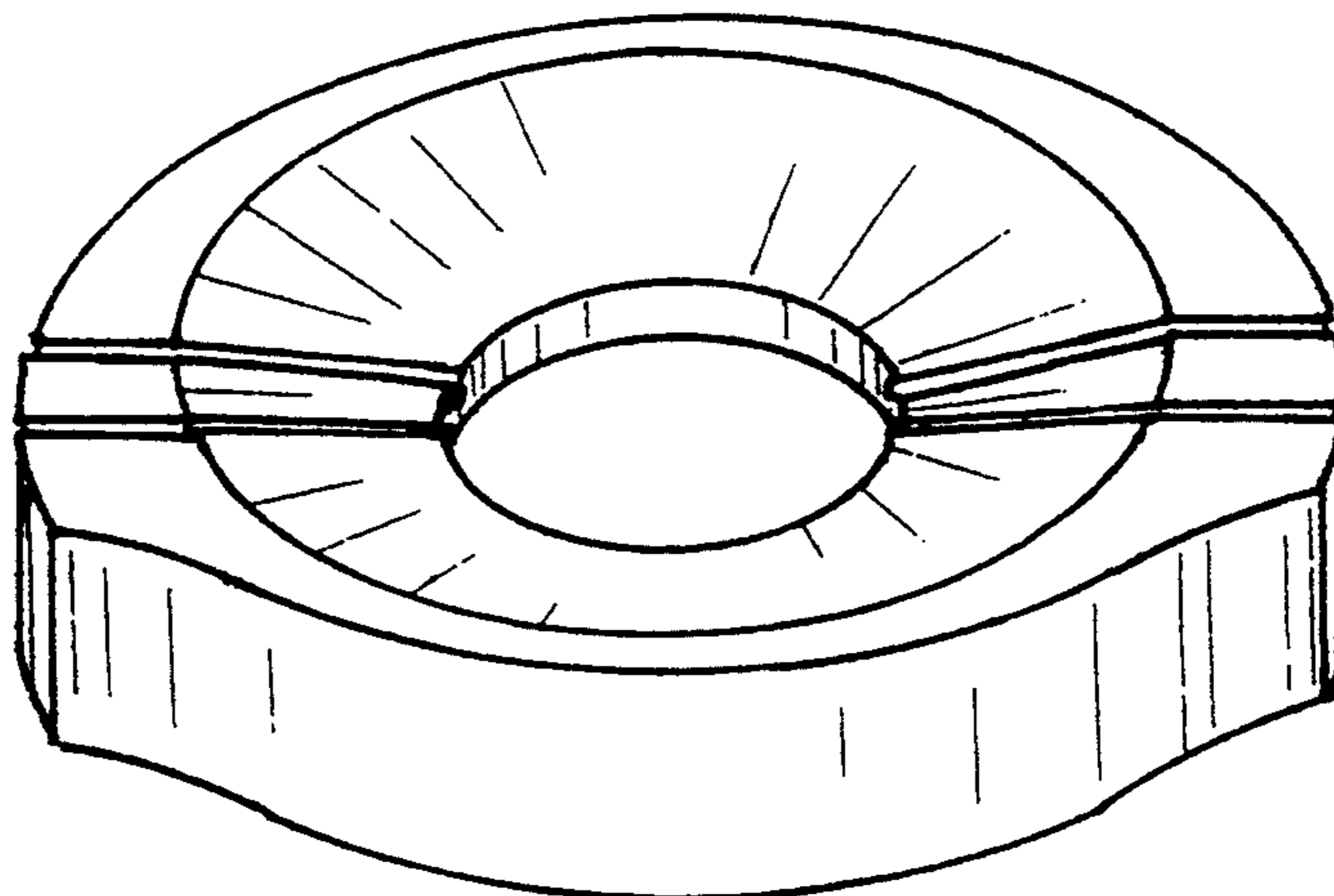
Primary Examiner—A. Hugo Word
Assistant Examiner—Doris Clark
Attorney, Agent, or Firm—Polster, Lieder, Woodruff & Lucchesi

[57] **CLAIM**

The ornamental design for a retaining wall stone, as shown and described.

DESCRIPTION

FIG. 1 is a perspective view of the retaining wall stone showing our new design thereof;
FIG. 2 is a top plan view;
FIG. 3 is a side elevation view;
FIG. 4 is a side elevation view opposite to FIG. 3;
FIG. 5 is an elevational view of the lefthand edge of the view of FIG. 2;
FIG. 6 is a bottom view of the stone seen in FIG. 2; and,
FIG. 7 is a cross-sectional view along the line 7—7 in FIG. 2.



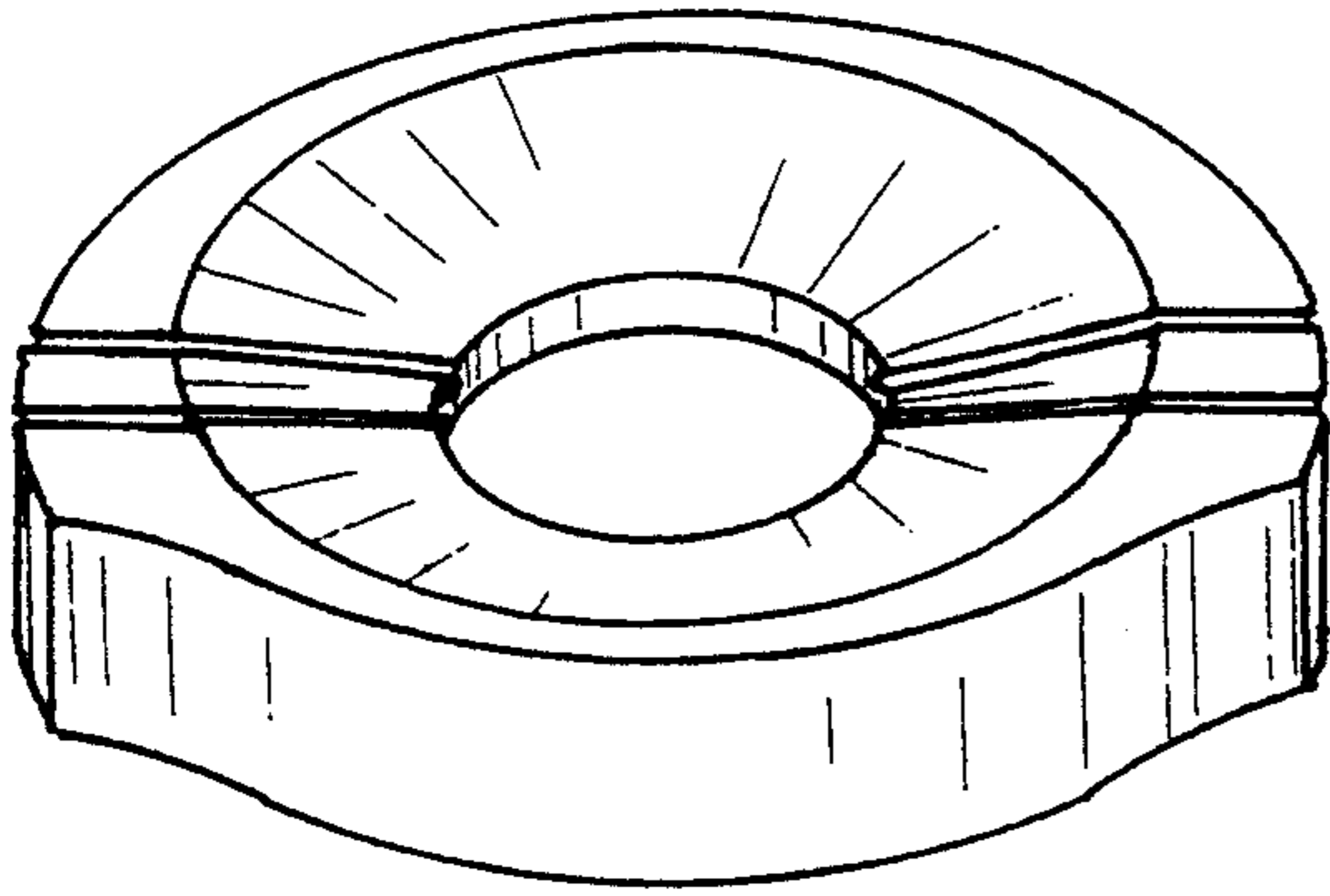


FIG. 1.

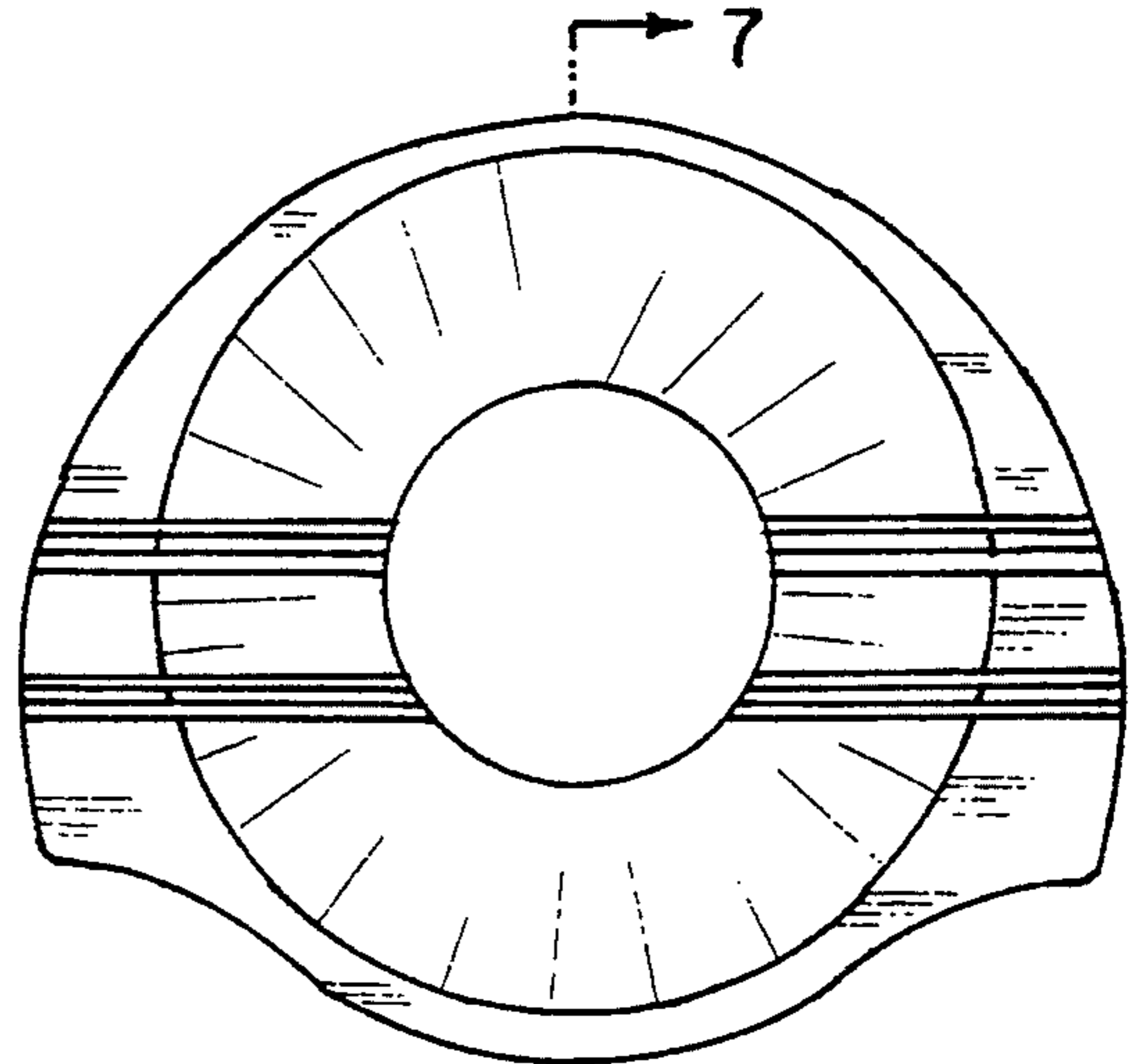


FIG. 2.



FIG. 3.



FIG. 4.

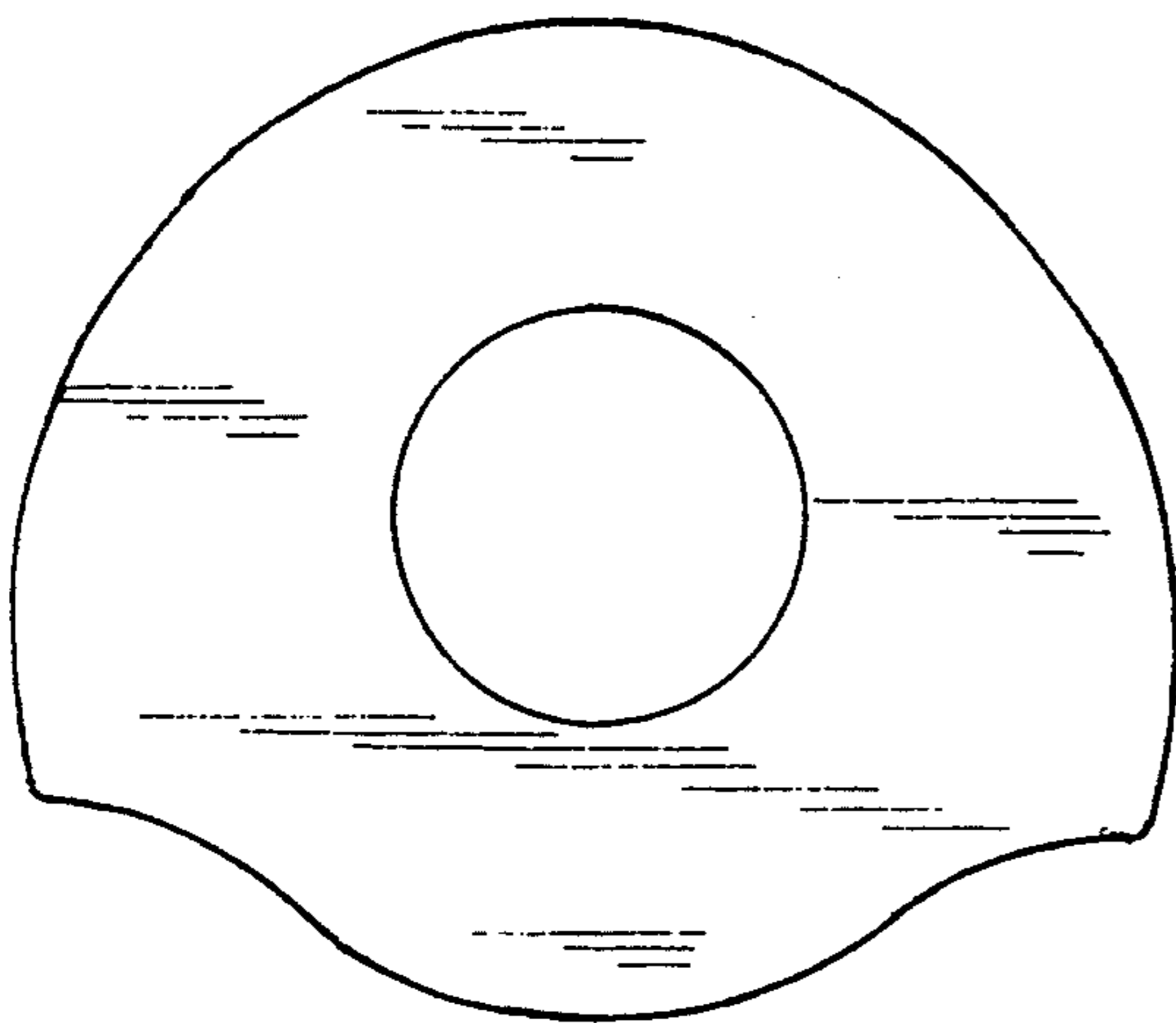


FIG. 6.



FIG. 5.



FIG. 7.