



US00D351030S

United States Patent [19]

[11] Patent Number: **Des. 351,030**

Laughlin et al.

[45] Date of Patent: **** Sep. 27, 1994**

[54] **TREE CLIMBER**

D. 310,623	9/1990	Aranibar	D8/380
912,123	2/1909	Hansen	182/134
4,574,919	3/1986	Clay	182/134

[75] Inventors: **Michael K. Laughlin; Jerry K. Laughlin**, both of Paw Paw; **Victor A. Laughlin**, Gobles, all of Mich.

Primary Examiner—A. Hugo Word
Assistant Examiner—Doris Clark
Attorney, Agent, or Firm—Gordon W. Hueschen

[73] Assignee: **Outback Products, Inc.**, Gobles, Mich.

[57] **CLAIM**

[**] Term: **14 Years**

The ornamental design for a tree climber, as shown and described.

[21] Appl. No.: **951,700**

DESCRIPTION

[22] Filed: **Sep. 25, 1992**

[52] U.S. Cl. **D25/69**

[58] Field of Search **D8/380-381;**
182/221, 133-136, 82, 90, 120, 228; **D25/69, 62,**
63

FIG. 1 is a top plan view of a tree climber showing our new design;
FIG. 2 is a left side elevation view thereof, the opposite side being a mirror image of that shown;
FIG. 3 is a bottom plan view thereof;
FIG. 4 is a rear elevation view thereof;
FIG. 5 is a front elevational view thereof; and,
FIG. 6 is a top, front, isometric view of our new design.

[56] **References Cited**

U.S. PATENT DOCUMENTS

D. 297,169 8/1988 Trani, Sr. **D25/69**

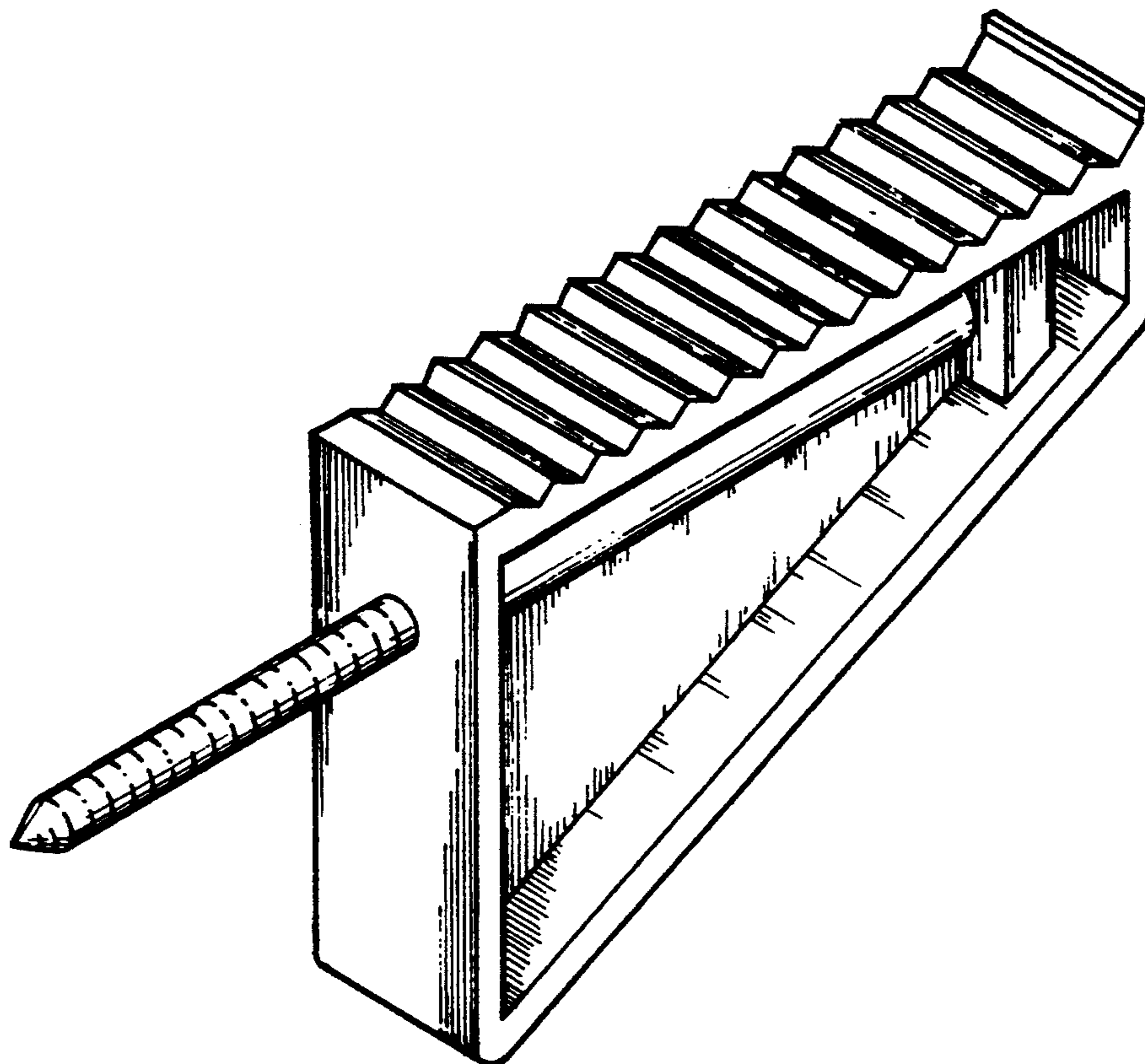


FIG. 1

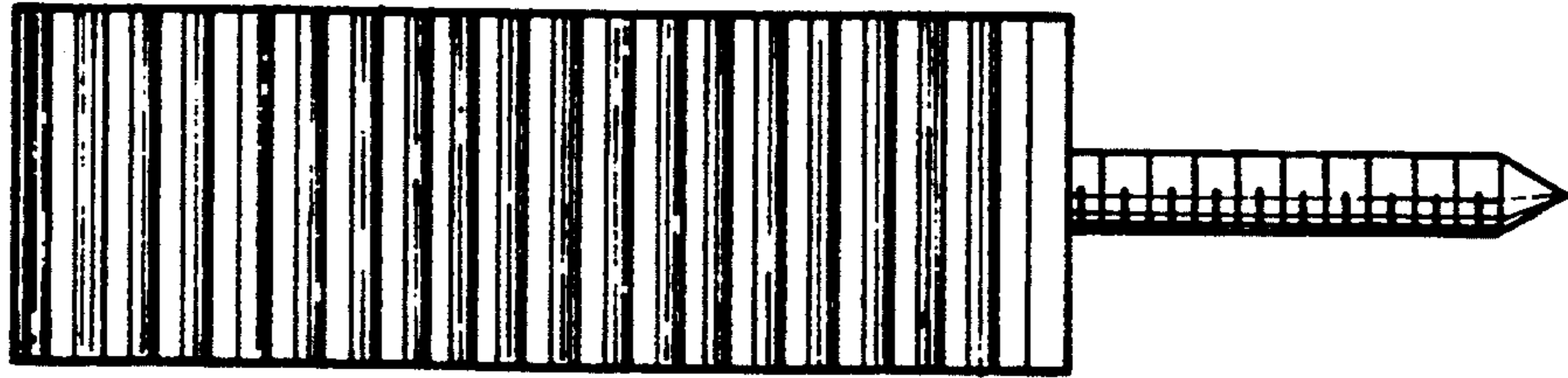


FIG. 2

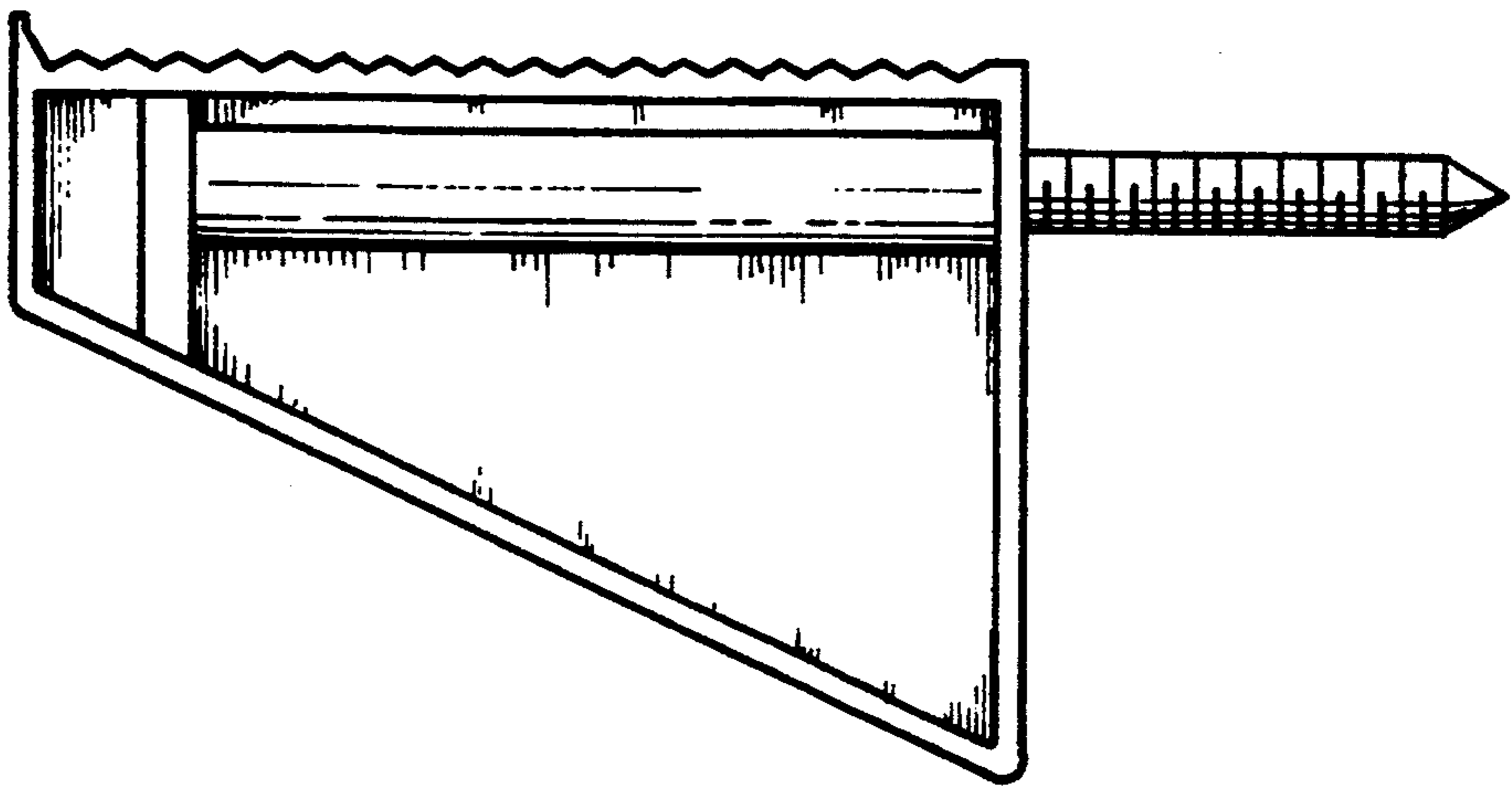


FIG. 3

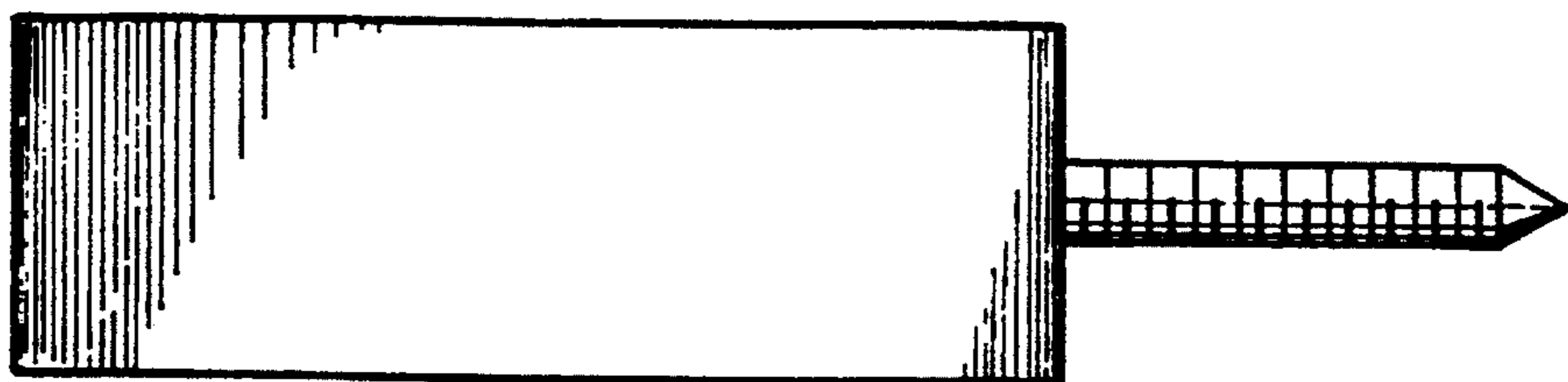


FIG. 4

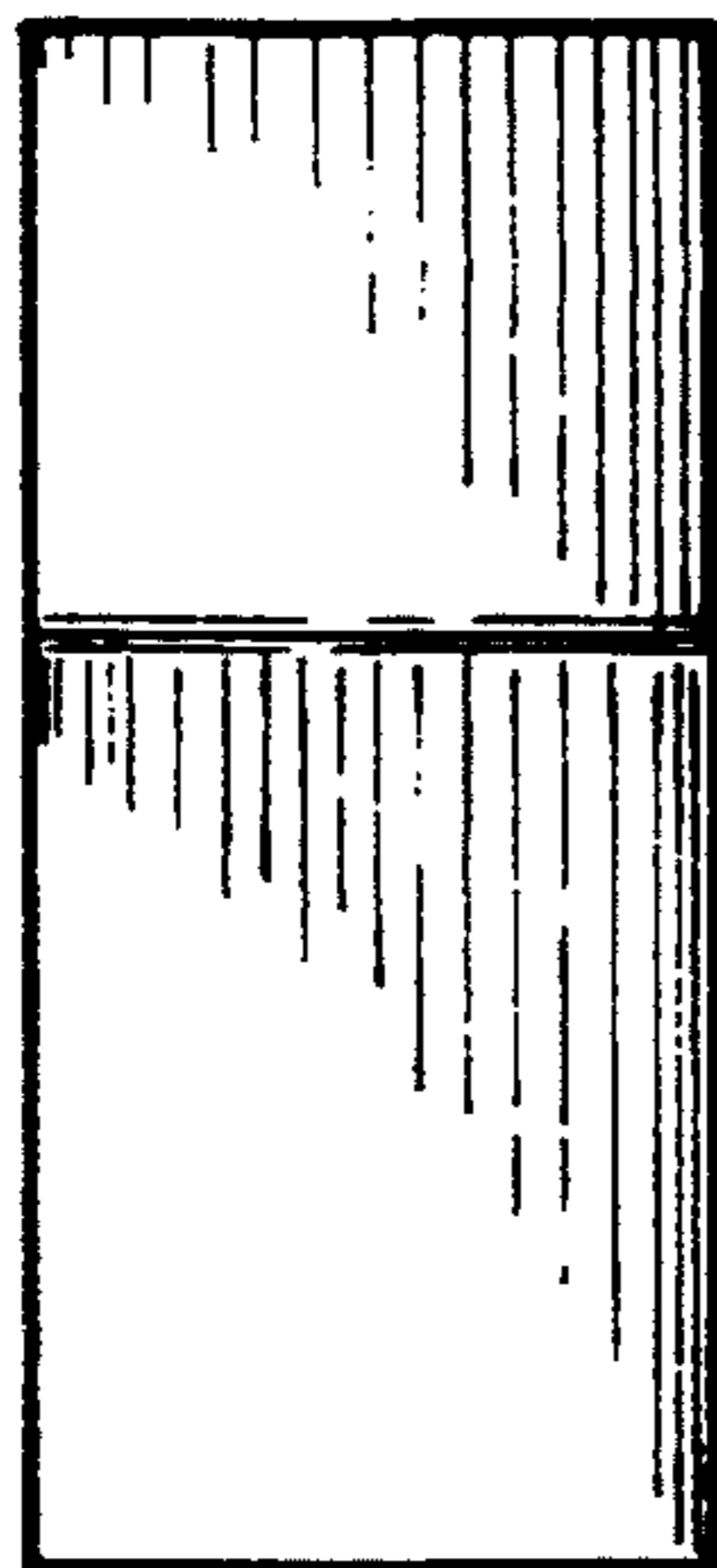


FIG. 5

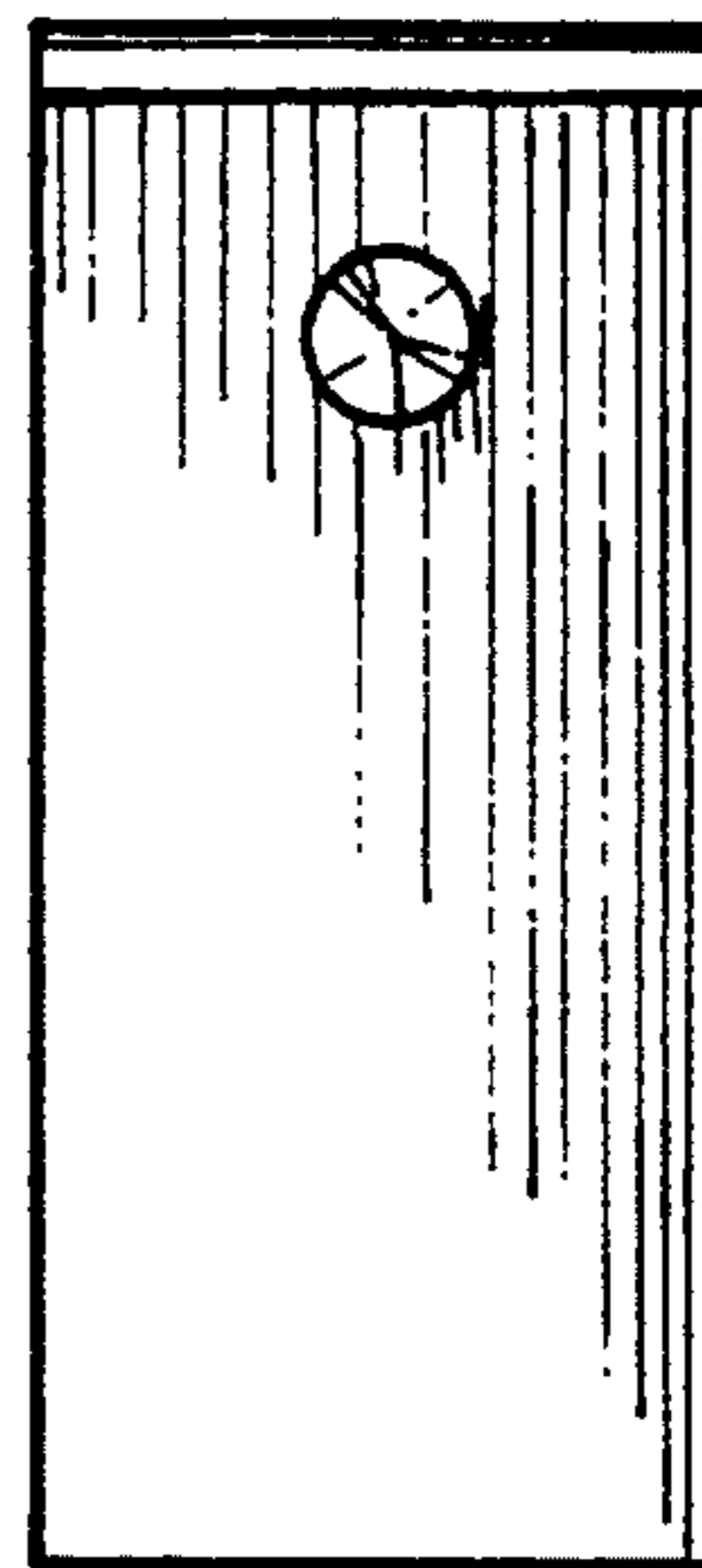
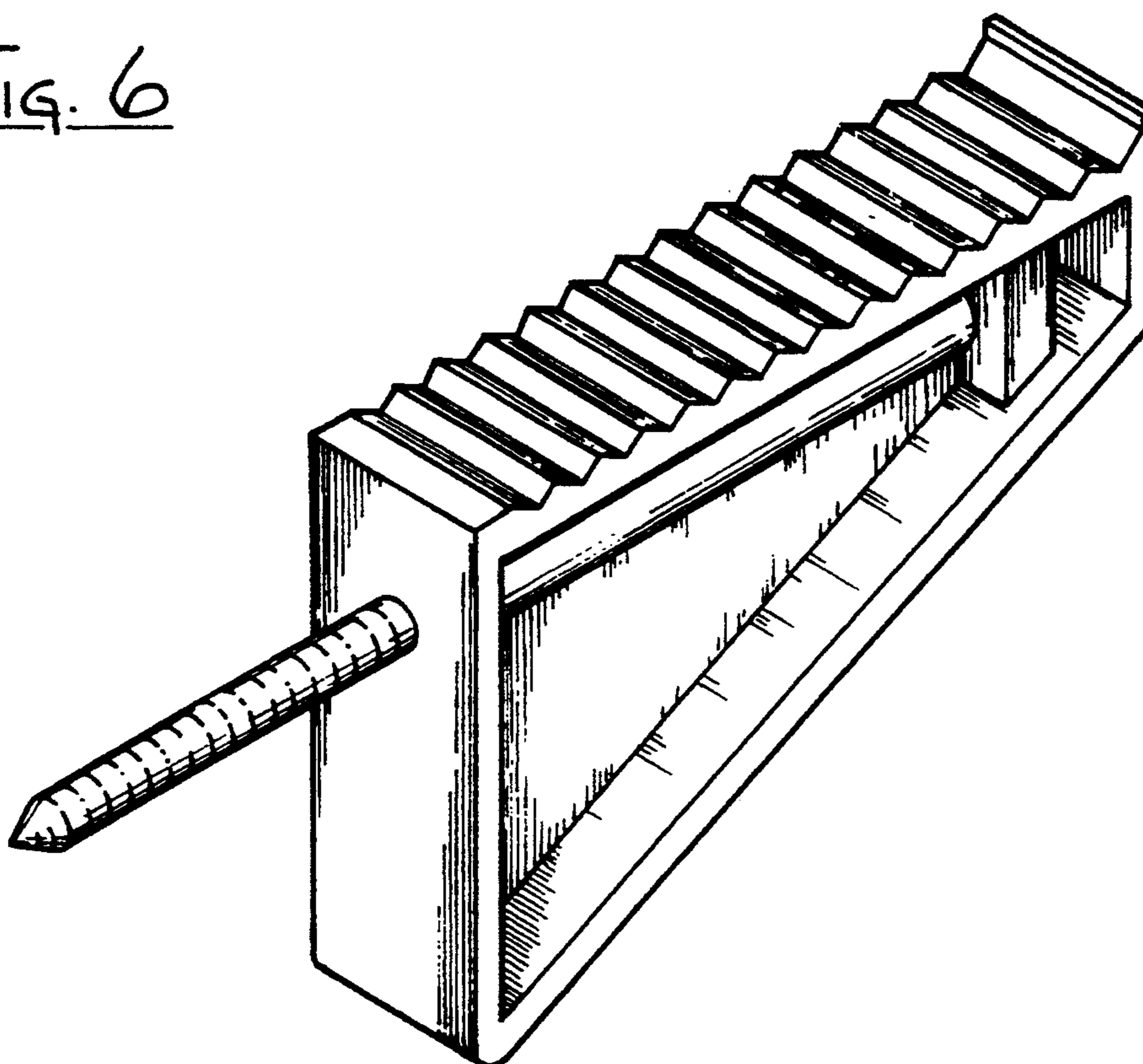


FIG. 6



UNITED STATES PATENT AND TRADEMARK OFFICE
CERTIFICATE OF CORRECTION

PATENT NO. :Des.351,030

DATED :September 27, 1994

INVENTOR(S) :Michael K. Laughlin, Jerry K. Laughlin,
Victor A. Laughlin

It is certified that error appears in the above-identified patent and that said Letters Patent is hereby corrected as shown below:

TITLE PAGE, ITEM [56], References Cited, insert the following,
"Publications;"
"Archery '92, Gander Mountain page 64"
"1992 Hunting Catalog, page 98"
"Cabela's 1992 Annual Fall Catalog, page 177"

Signed and Sealed this

Twenty-seventh Day of December, 1994

Attest:



BRUCE LEHMAN

Attesting Officer

Commissioner of Patents and Trademarks