



US00D351022S

United States Patent [19]
Saito

[11] **Patent Number: Des. 351,022**
[45] **Date of Patent: ** Sep. 27, 1994**

[54] **DOUBLE BLADE VALVULOTOME**

[75] **Inventor: Tatsuya Saito, Tokyo, Japan**

[73] **Assignee: Olympus Optical Co., Ltd., Tokyo, Japan**

[**] **Term: 14 Years**

[21] **Appl. No.: 4,088**

[22] **Filed: Jan. 27, 1993**

[52] **U.S. Cl. D24/146**

[58] **Field of Search 606/158, 159, 170, 167, 606/174, 1; D24/143, 146, 147, 114**

[56] **References Cited**

U.S. PATENT DOCUMENTS

D. 103,976	4/1937	Lermer	D24/114
4,177,814	12/1979	Knepshield et al.	604/167 X
5,049,154	9/1991	Quadi	606/159
5,133,725	7/1992	Quadi	606/159
5,139,506	8/1992	Bush	606/159
5,222,973	6/1993	Sharpe et al.	606/206
5,258,005	11/1993	Christian	606/210 X

Primary Examiner—A. Hugo Word

Assistant Examiner—I. Simmons
Attorney, Agent, or Firm—Armstrong, Westerman, Hattori, McLeland & Naughton

[57] **CLAIM**

The ornamental design for a double blade valvulotome, as shown and described.

DESCRIPTION

FIG. 1 is a bottom right side perspective view of a double blade valvulotome showing my new design, the shaft is shown broken in the center to indicate indeterminate length;

FIG. 2 is a front, top and left side perspective view thereof;

FIG. 3 is a front elevational view thereof;

FIG. 4 is a top plan view thereof;

FIG. 5 is a bottom plan view thereof;

FIG. 6 is a rear elevational view thereof;

FIG. 7 is a right side elevational view thereof;

FIG. 8 is a left side elevational view thereof;

FIG. 9 is a rear bottom right side perspective view thereof, with the blades shown in extended position; and,

FIG. 10 is a front top side perspective view thereof.

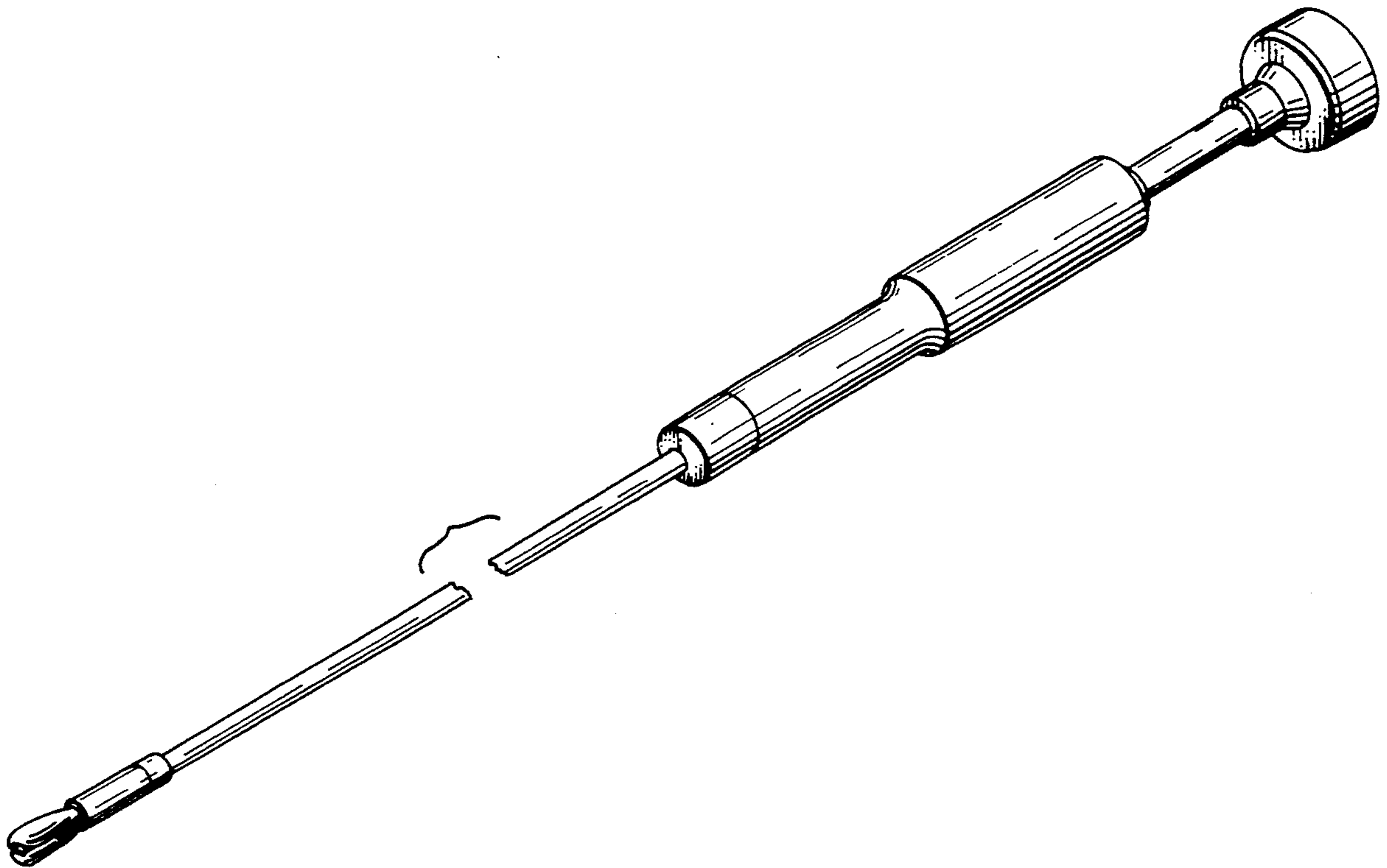


FIG. 1

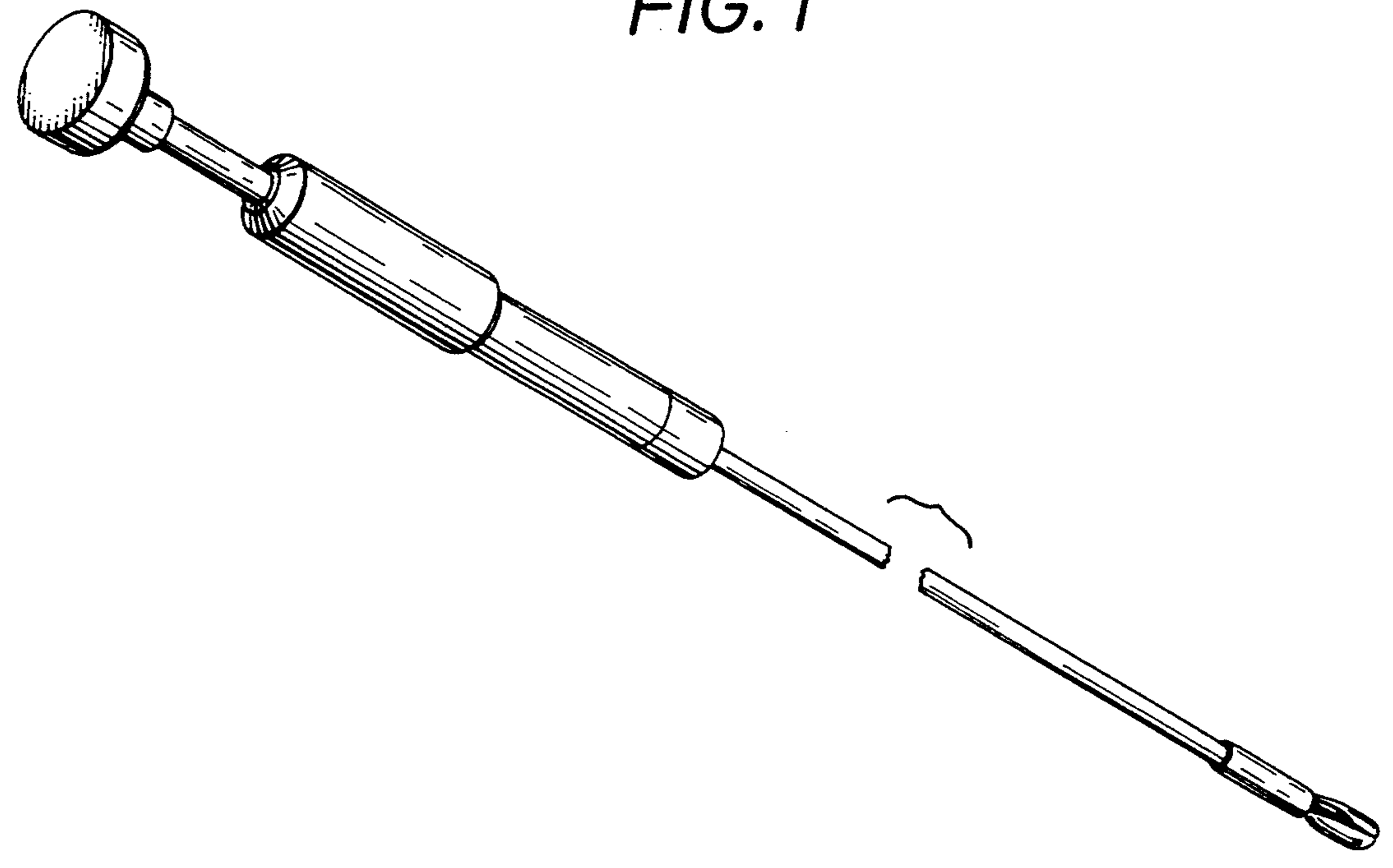


FIG. 2

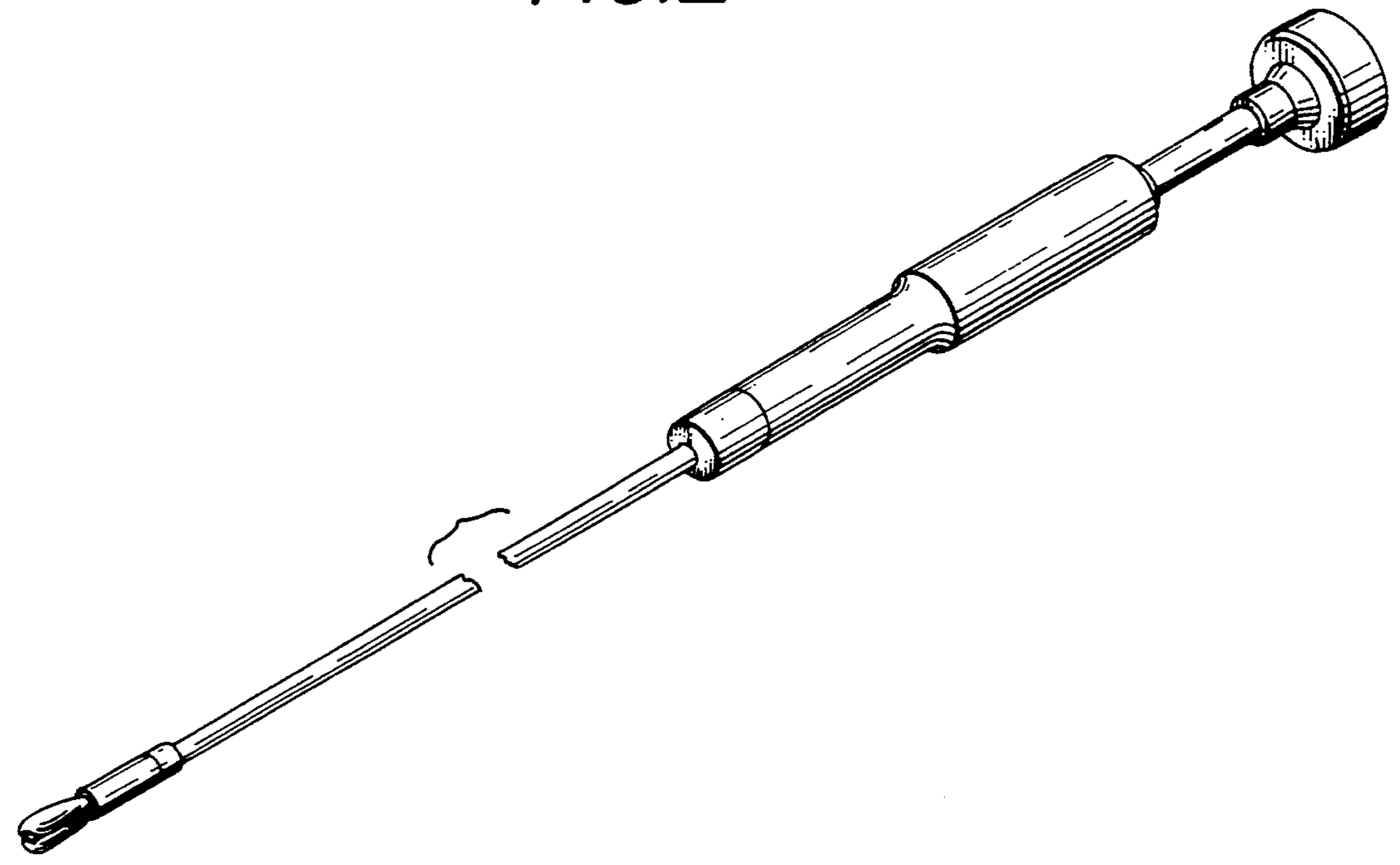


FIG. 6

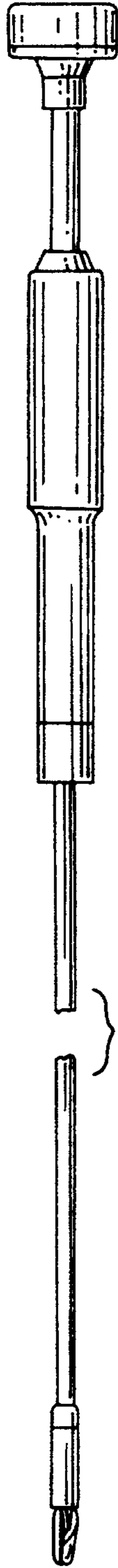


FIG. 4

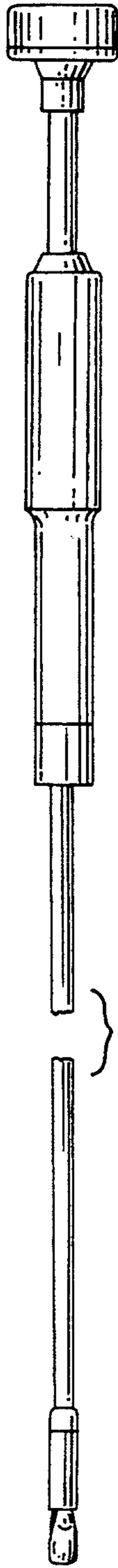


FIG. 8



FIG. 3

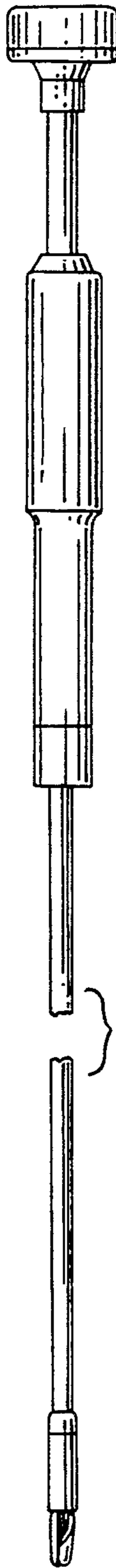


FIG. 7

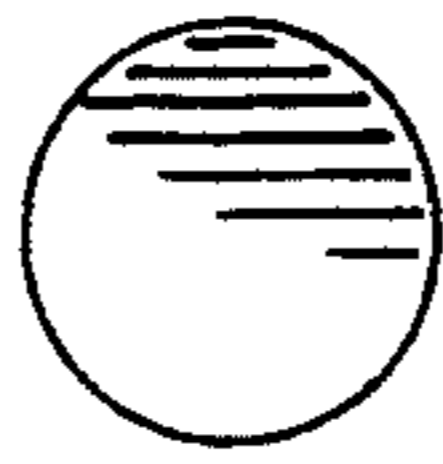


FIG. 5

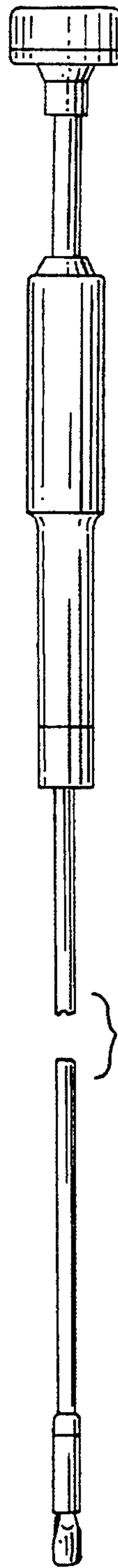


FIG. 9

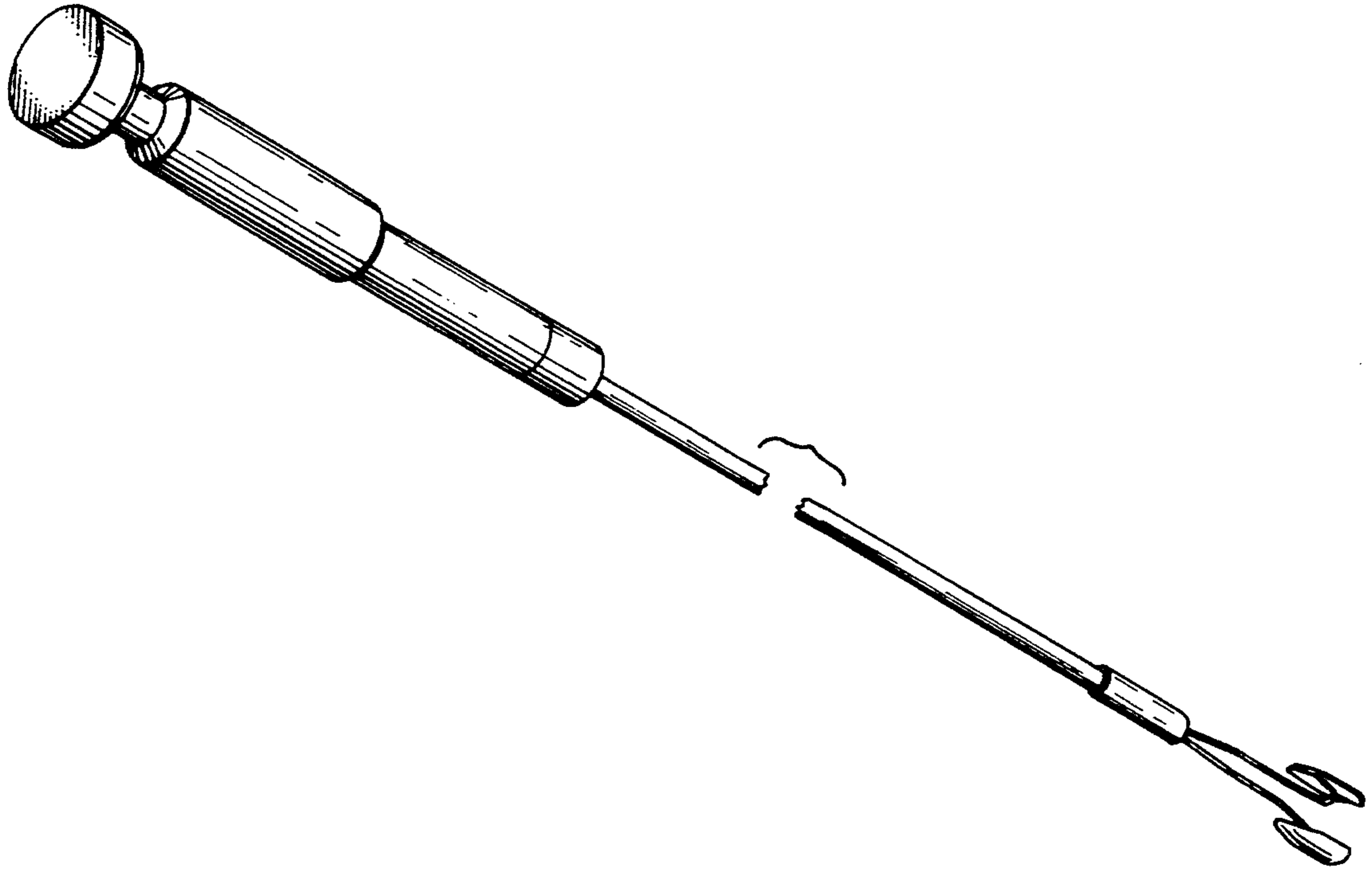


FIG. 10

