



US00D351019S

# United States Patent [19]

[11] Patent Number: **Des. 351,019**

Moore et al.

[45] Date of Patent: **\*\* Sep. 27, 1994**

[54] **SHOWER BASE**

3,606,617 6/1969 Frazier ..... 4/613  
4,557,004 12/1985 Piana ..... 4/612 X

[75] Inventors: **John W. Moore**, St. Louis, Mo.;  
**Anthony Buonauro**, Bluford, Ill.

*Primary Examiner*—Stella Reid  
*Assistant Examiner*—Eric M. Watterson  
*Attorney, Agent, or Firm*—Armstrong, Teasdale,  
Schlafly & Davis

[73] Assignee: **The Swan Corporation**, St. Louis,  
Mo.

[\*\*] Term: **14 Years**

[57] **CLAIM**

[21] Appl. No.: **967**

The ornamental design for a shower base, as shown and described.

[22] Filed: **Oct. 29, 1992**

**DESCRIPTION**

[52] U.S. Cl. .... **D23/283**

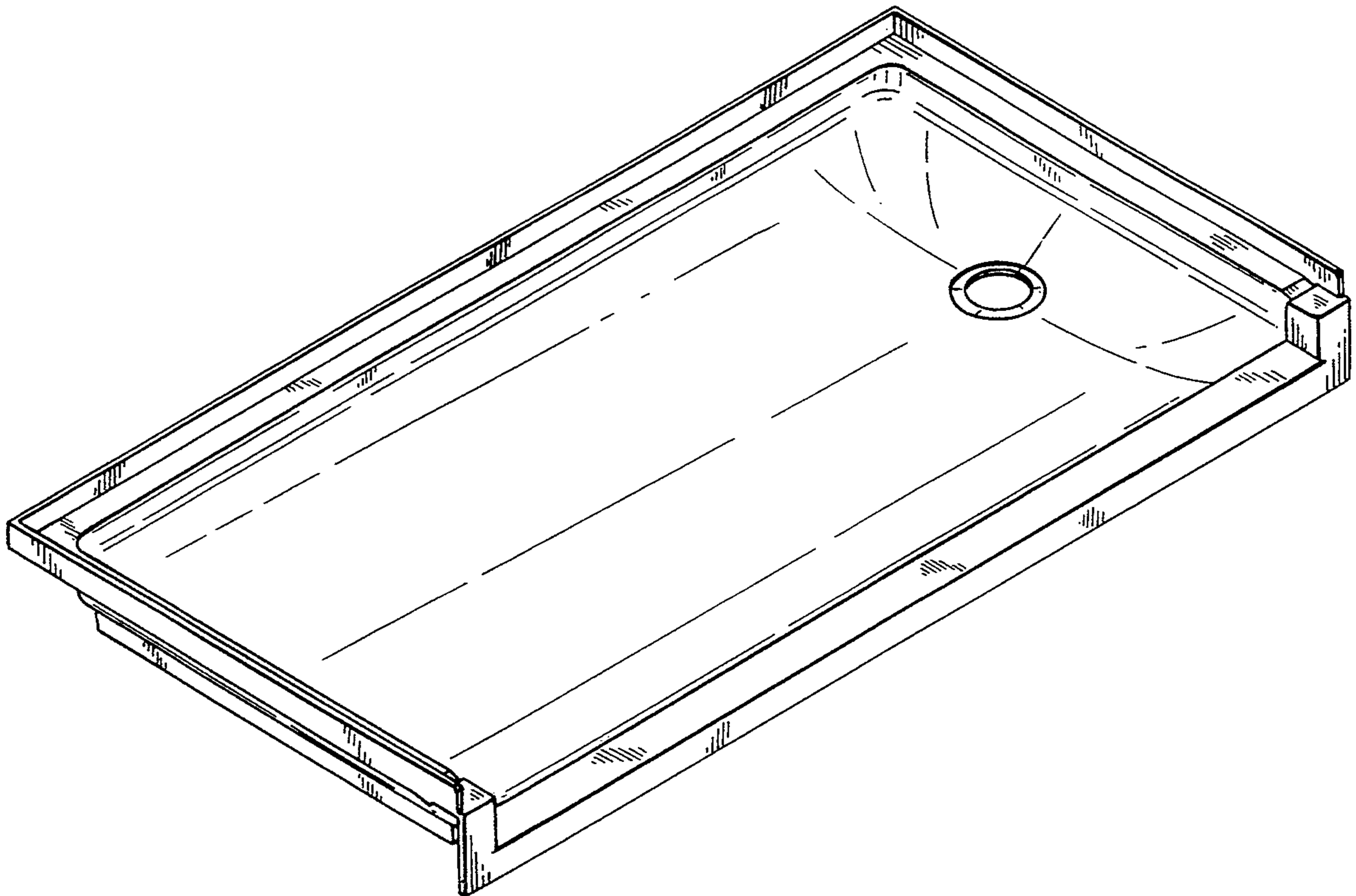
[58] Field of Search ..... 4/596, 604, 605, 612,  
4/614; 52/34, 35, 264; D23/283, 275, 305

FIG. 1 is a perspective view of a shower base incorporating my design;  
FIG. 2 is a top plan view thereof;  
FIG. 3 is a front elevation view thereof;  
FIG. 4 is a right side elevation view thereof;  
FIG. 5 is a left side elevation view thereof;  
FIG. 6 is a rear elevation view thereof; and,  
FIG. 7 is a bottom plan view thereof.

[56] **References Cited**

**U.S. PATENT DOCUMENTS**

2,282,362 5/1942 Johnson ..... 52/35  
2,400,683 5/1946 Burnett ..... 52/264



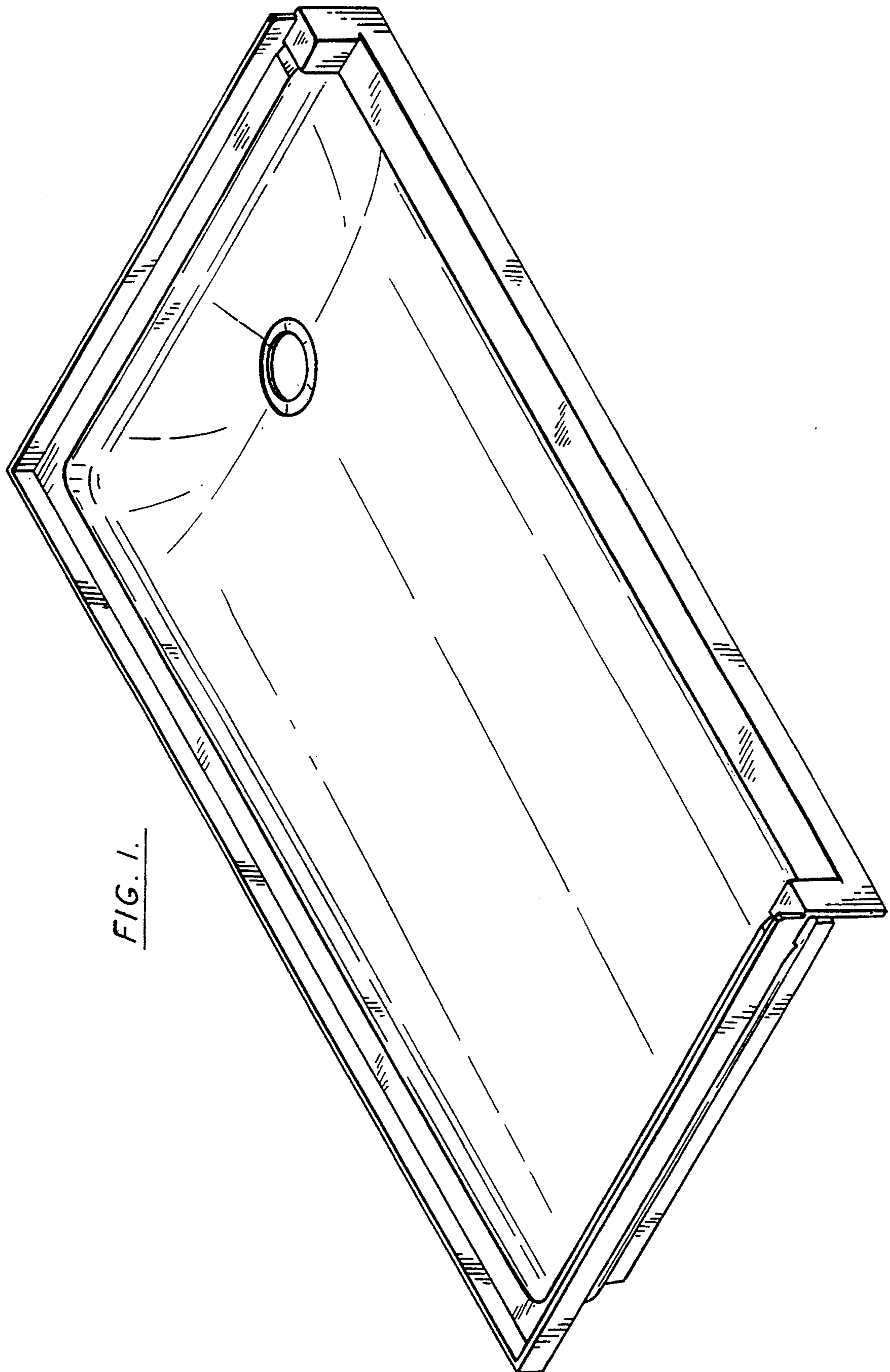


FIG. 1.

FIG. 2.

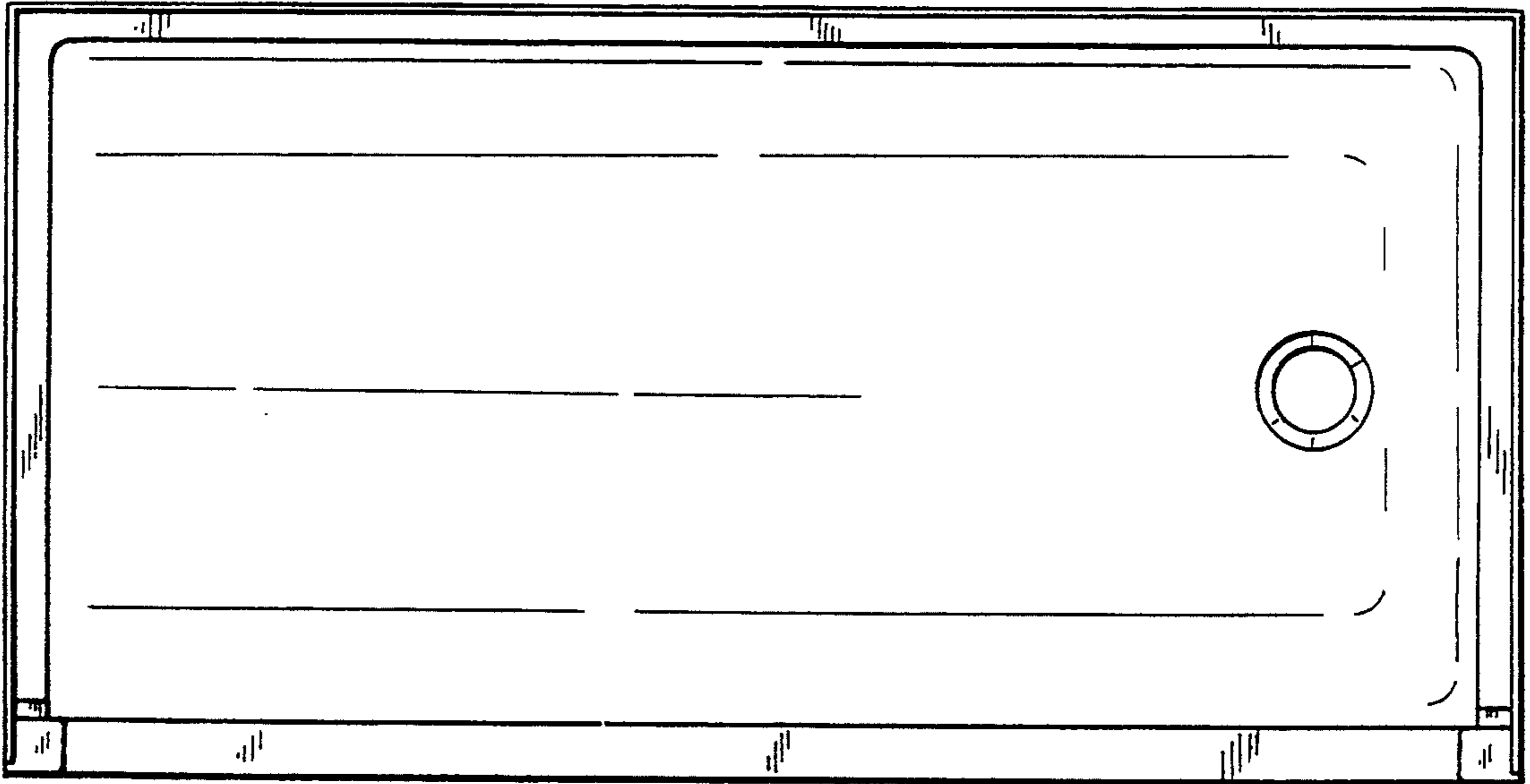


FIG. 3.



FIG. 4.

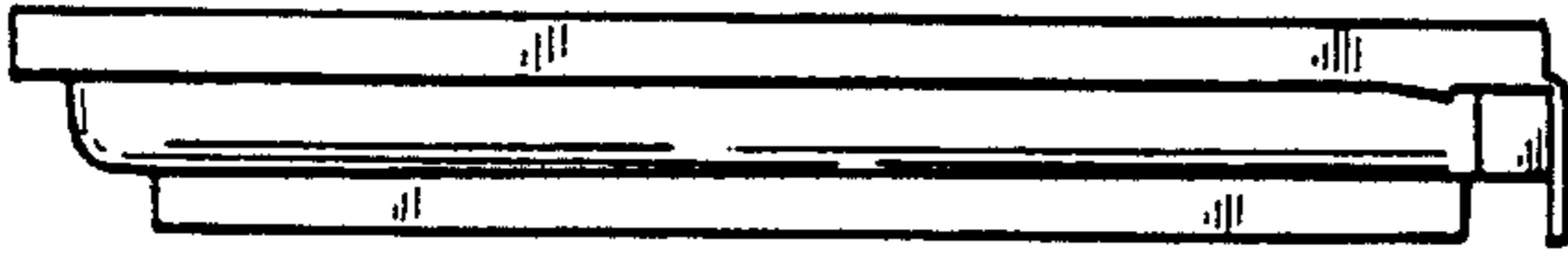


FIG. 5.

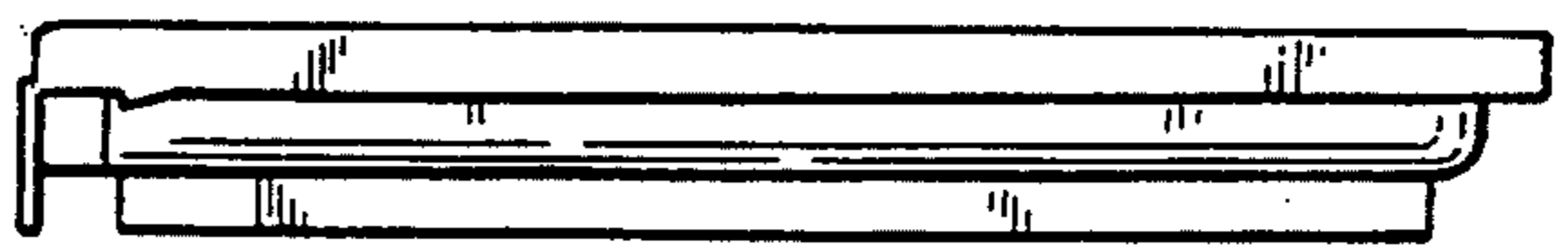


FIG. 6.

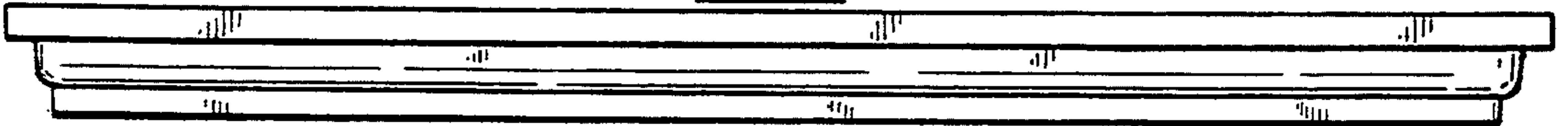


FIG. 7.

