



US00D351018S

# United States Patent [19]

[11] Patent Number: **Des. 351,018**

**Bourgraf et al.**

[45] Date of Patent: **\*\* Sep. 27, 1994**

[54] **BATHTUB FOR INVALIDS**

1000773 6/1981 United Kingdom .

[75] Inventors: **Elroy E. Bourgraf**, Cincinnati; **John R. Zellner**, Kings Mills; **John C. Coons**, Cincinnati, all of Ohio

### OTHER PUBLICATIONS

[73] Assignee: **Ferno-Washington, Inc.**, Wilmington, Ohio

Brochure on Shell Spa, Arjo Hospital Equipment, Inc., Morton Grove, Ill.

[\*\*] Term: **14 Years**

Santas Healthcare Products brochure, Model ST60D and ST70D.

[21] Appl. No.: **4,720**

Brochure from the Clinare Corporation, Estherville, Iowa.

[22] Filed: **Feb. 11, 1993**

Brochure for the Freedom Bath, Grand Traverse Technologies, Inc., Traverse City, Mich.

[52] U.S. Cl. .... **D23/279**

Brochure, Silcraft Corporation, Traverse City, Mich.

[58] Field of Search ..... 4/540, 555, 556, 589, 4/590; D23/270, 275, 277-283

Brochure entitled: *Technology with people in mind*, Arjo Hospital Equipment Ltd., Eslov, Sweden.

OB Olle Biomovist Rehab Produkter, *OB Comfortbad*, Medizin-Technik AG, Stockholm, Sweden, advertisement 1973.

### [56] References Cited

*Primary Examiner*—James R. Largen

*Attorney, Agent, or Firm*—Dinsmore & Shohl

#### U.S. PATENT DOCUMENTS

- D. 236,000 7/1975 Powell .
- D. 247,044 1/1978 Johansson .
- D. 273,700 5/1984 Parker .
- D. 275,782 10/1984 Burgess et al. .... D23/282
- D. 297,161 8/1988 Weschta ..... D23/279
- D. 313,465 1/1991 Johansson ..... D23/282
- 2,536,540 1/1951 Davis .
- 2,541,263 2/1951 Mayo et al. .
- 3,174,160 3/1965 Fielding .
- 3,827,087 8/1974 Cuthbertson .
- 3,889,304 6/1975 Loren .
- 3,924,278 12/1975 Ekman .
- 4,592,099 6/1986 Zellner ..... 4/540

### [57] CLAIM

The ornamental design for a bathtub for invalids, as shown and described.

#### FOREIGN PATENT DOCUMENTS

- 7601619 3/1979 Sweden .

### DESCRIPTION

FIG. 1 is a perspective view taken from the top, front and right side of a bathtub for invalids embodying our new design;

FIG. 2 is a right side elevational view thereof;

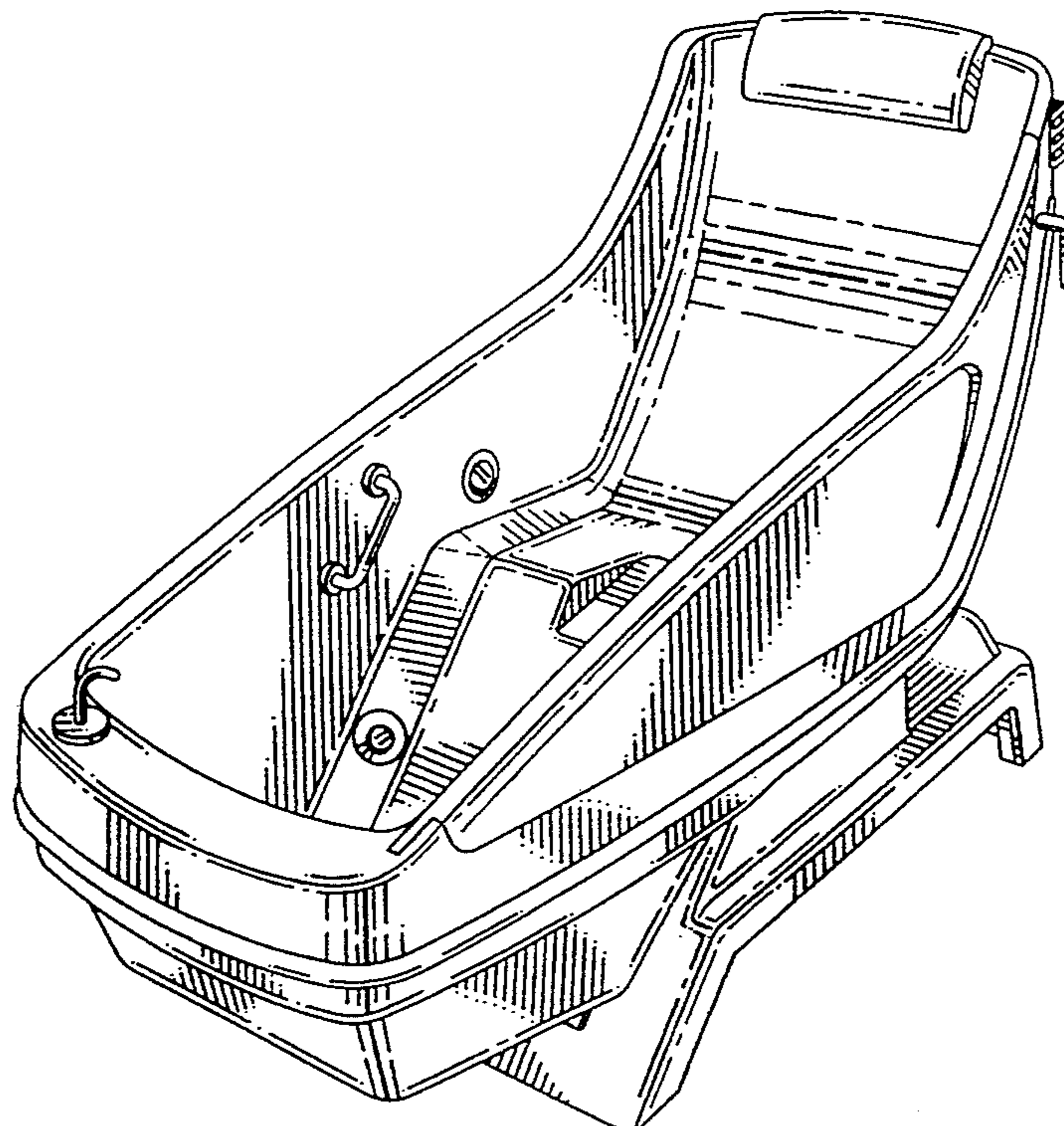
FIG. 3 is a front elevational view thereof;

FIG. 4 is a top plan view thereof;

FIG. 5 is a bottom plan view thereof;

FIG. 6 is a left side elevational view thereof; and,

FIG. 7 is a rear elevational view thereof.



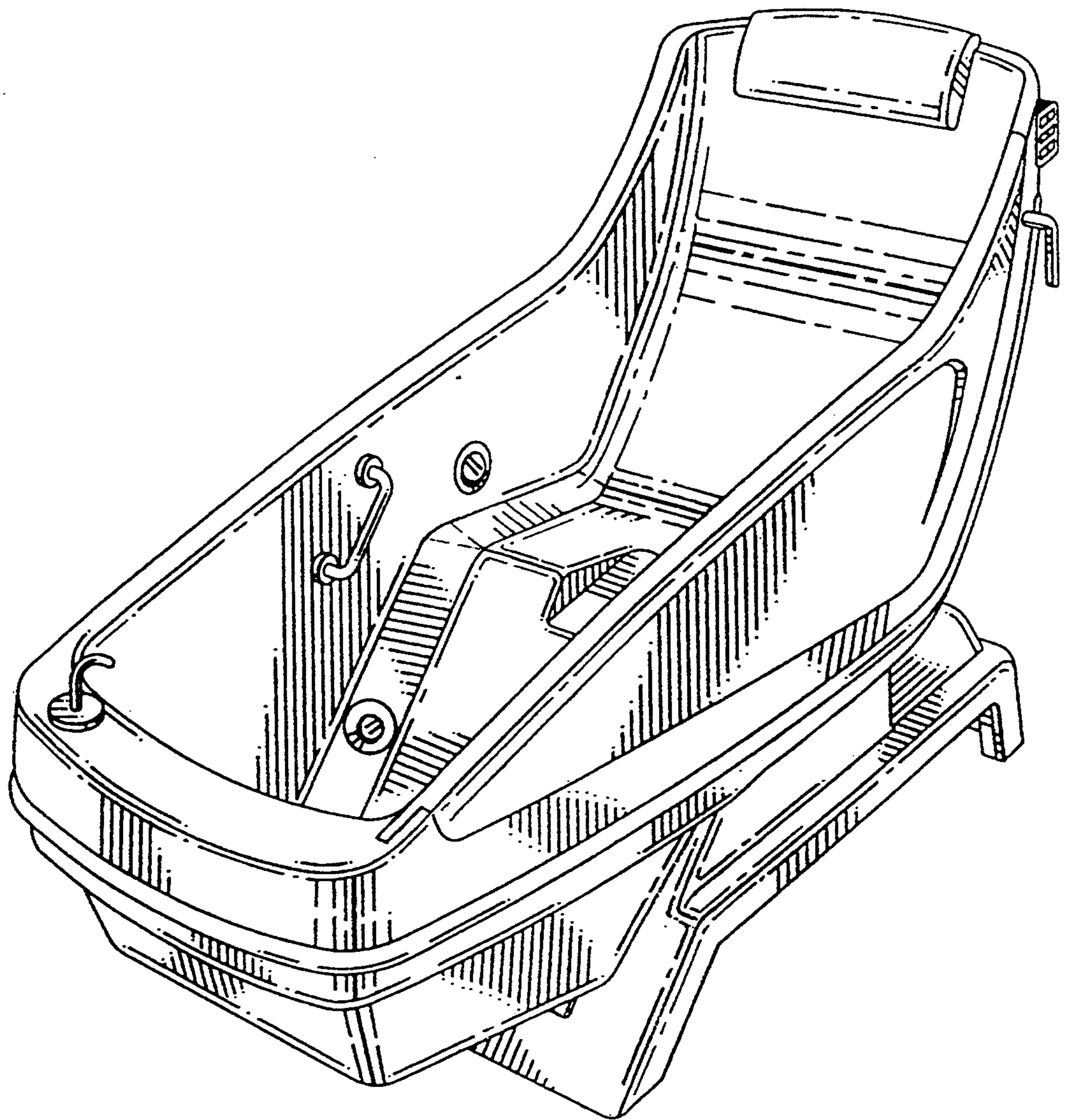


FIG. 1

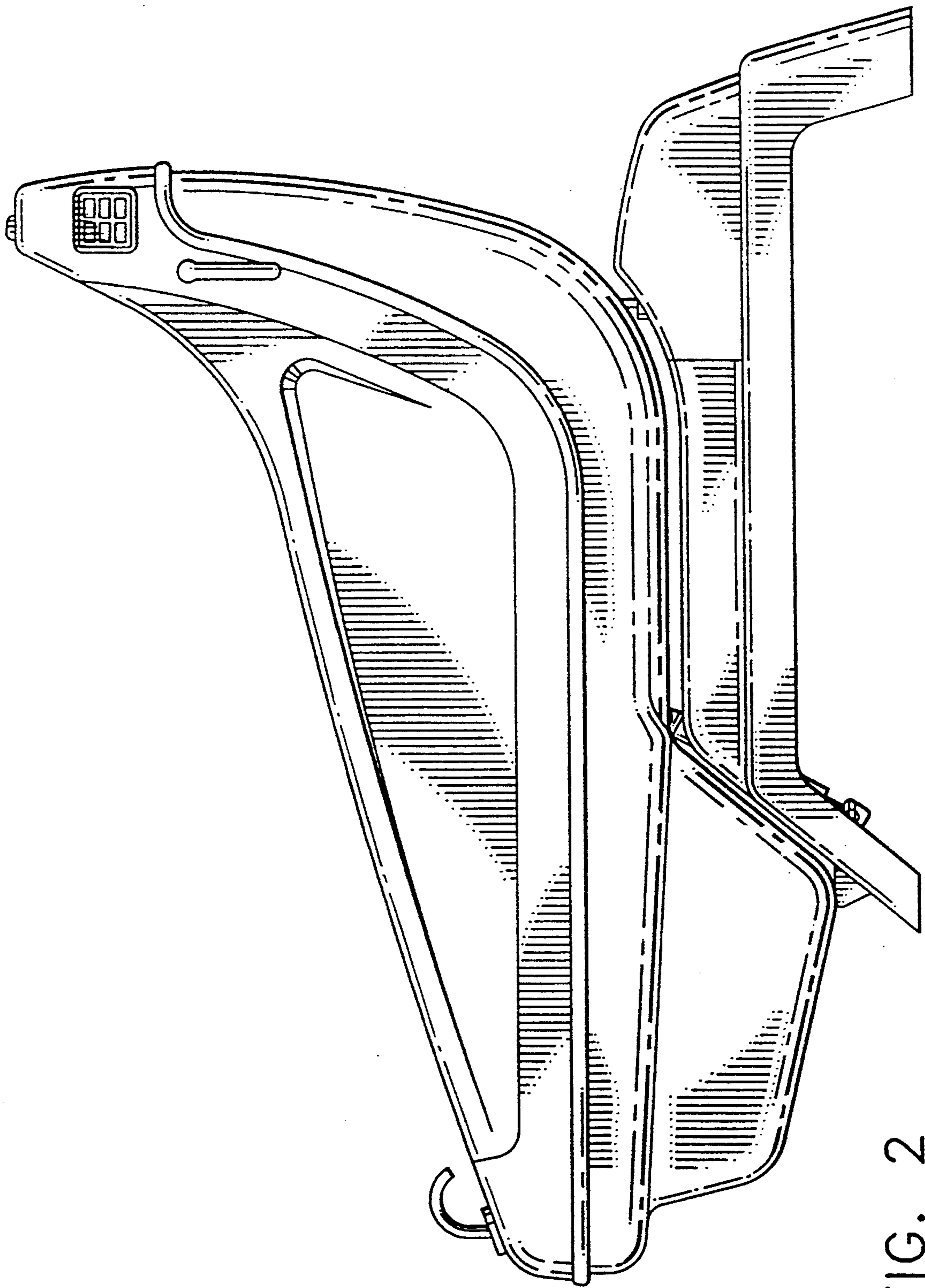


FIG. 2

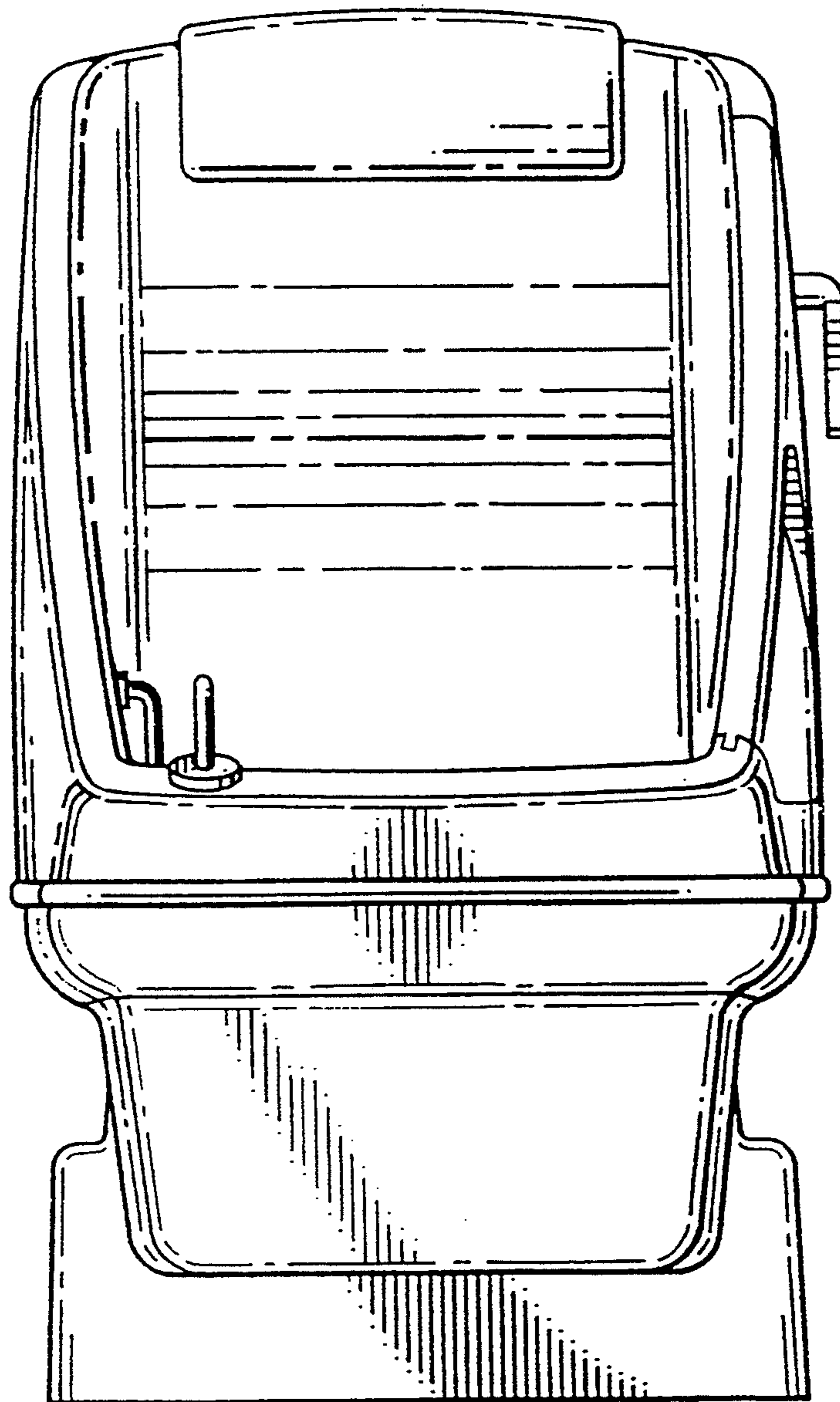


FIG. 3

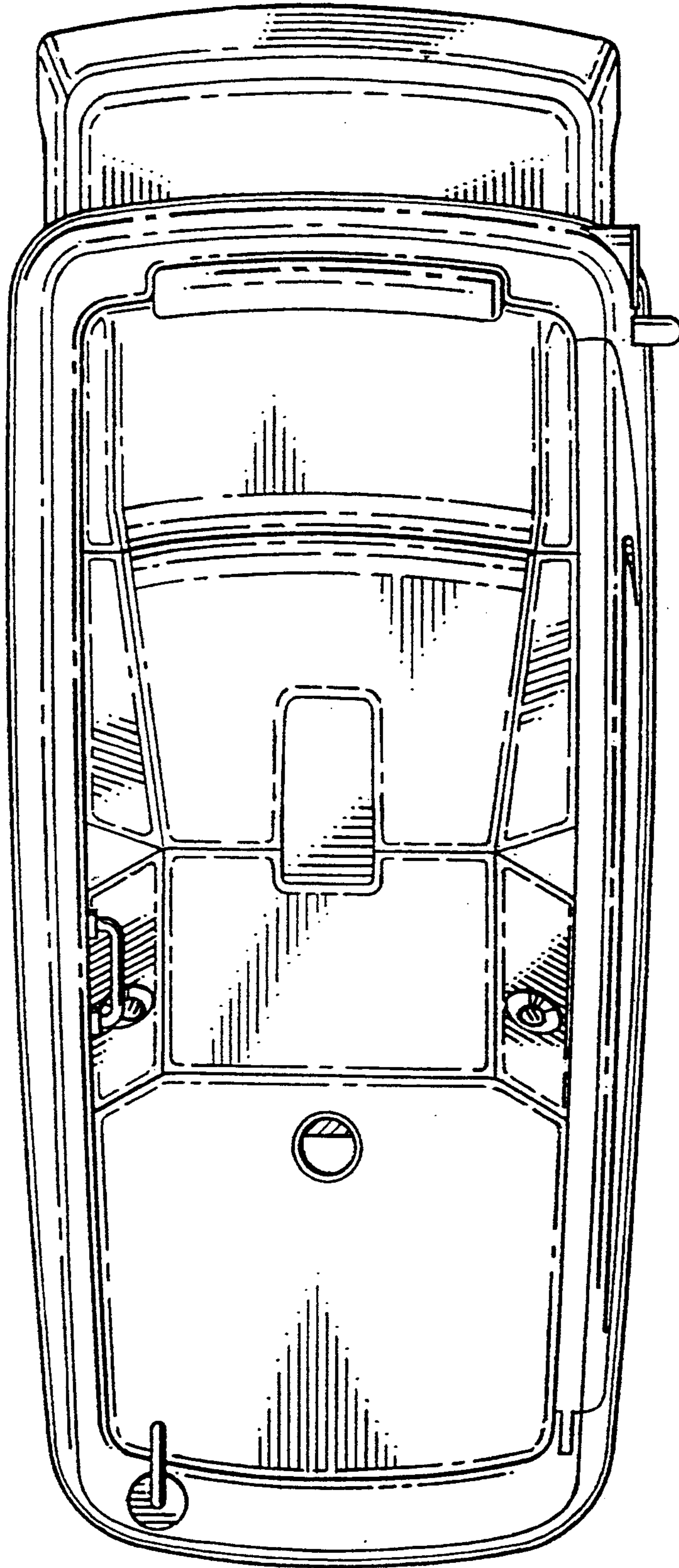


FIG. 4

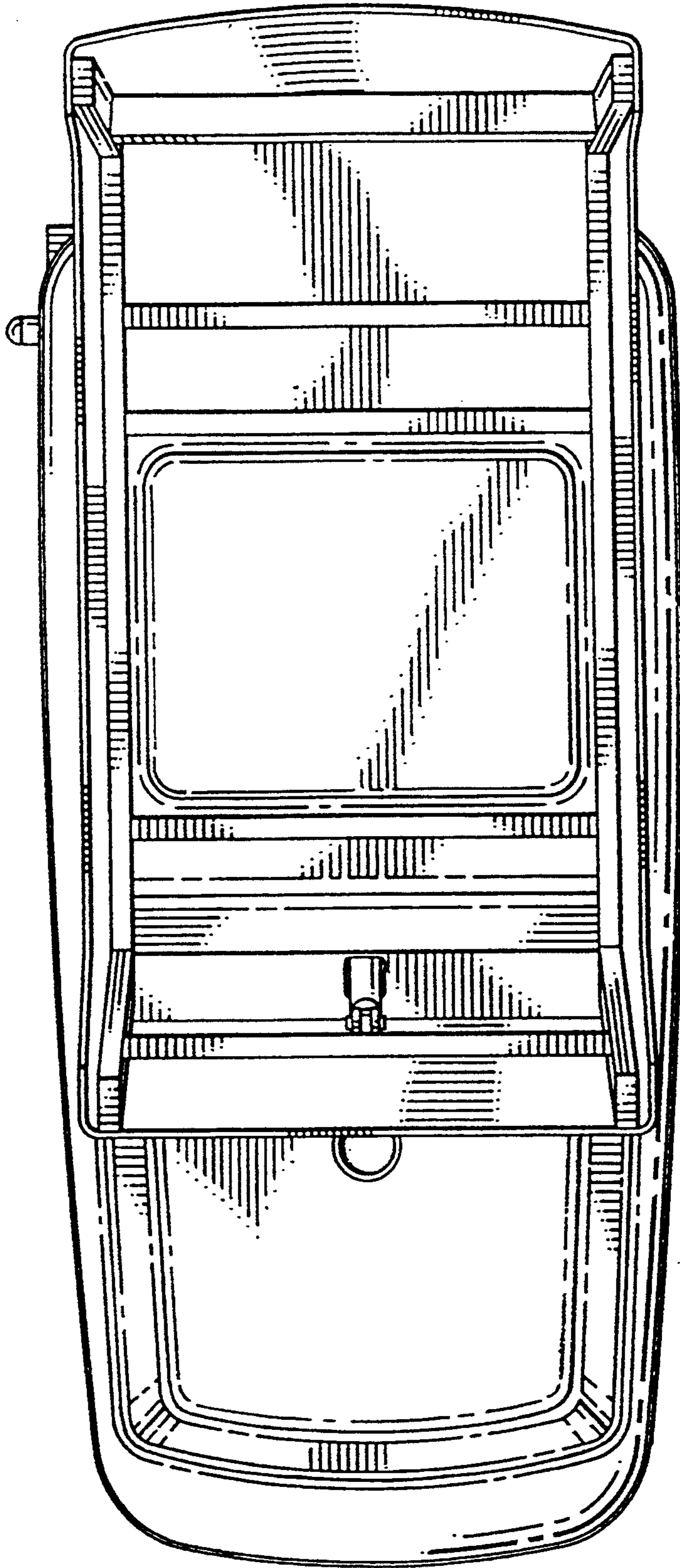


FIG. 5

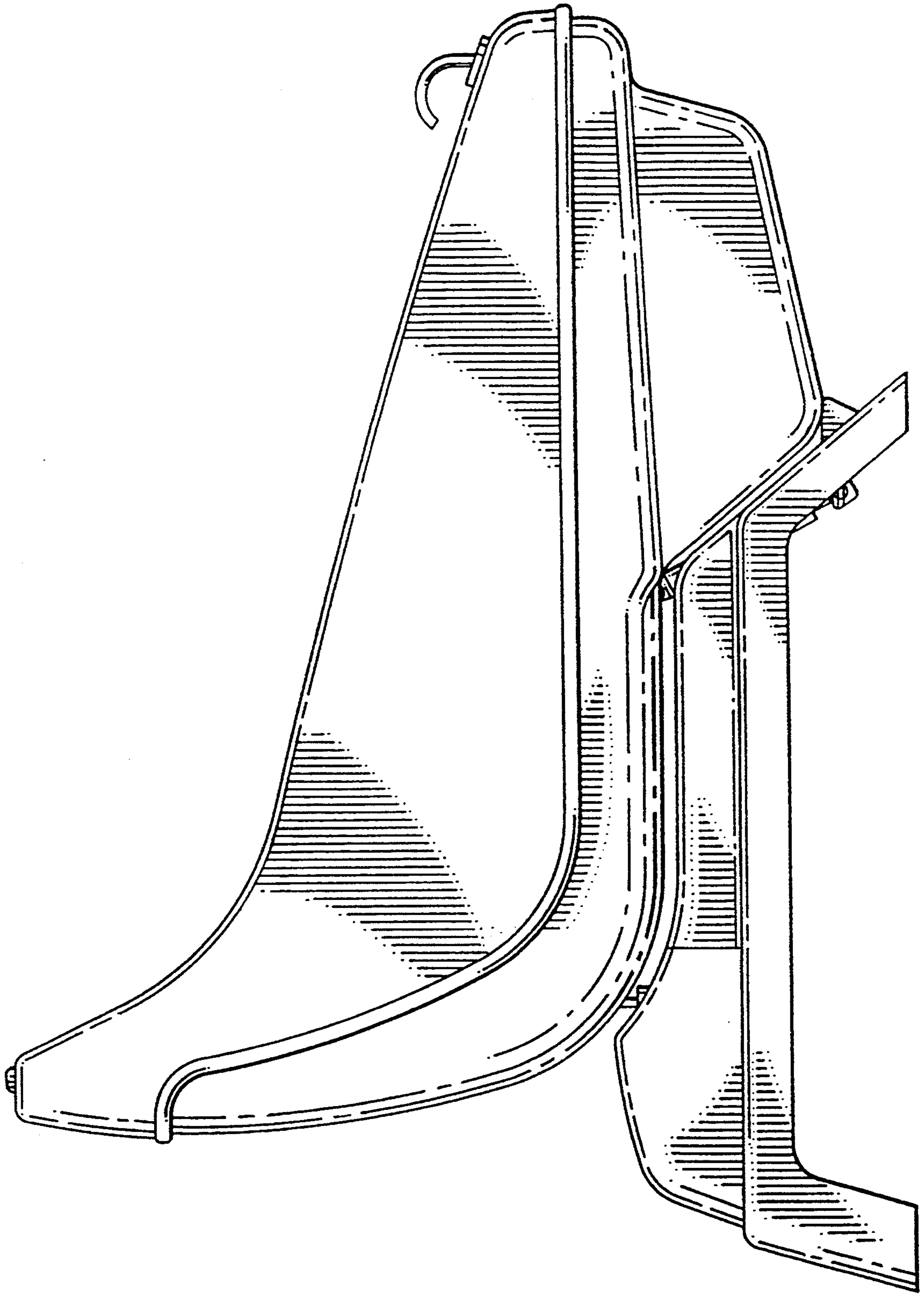


FIG. 6

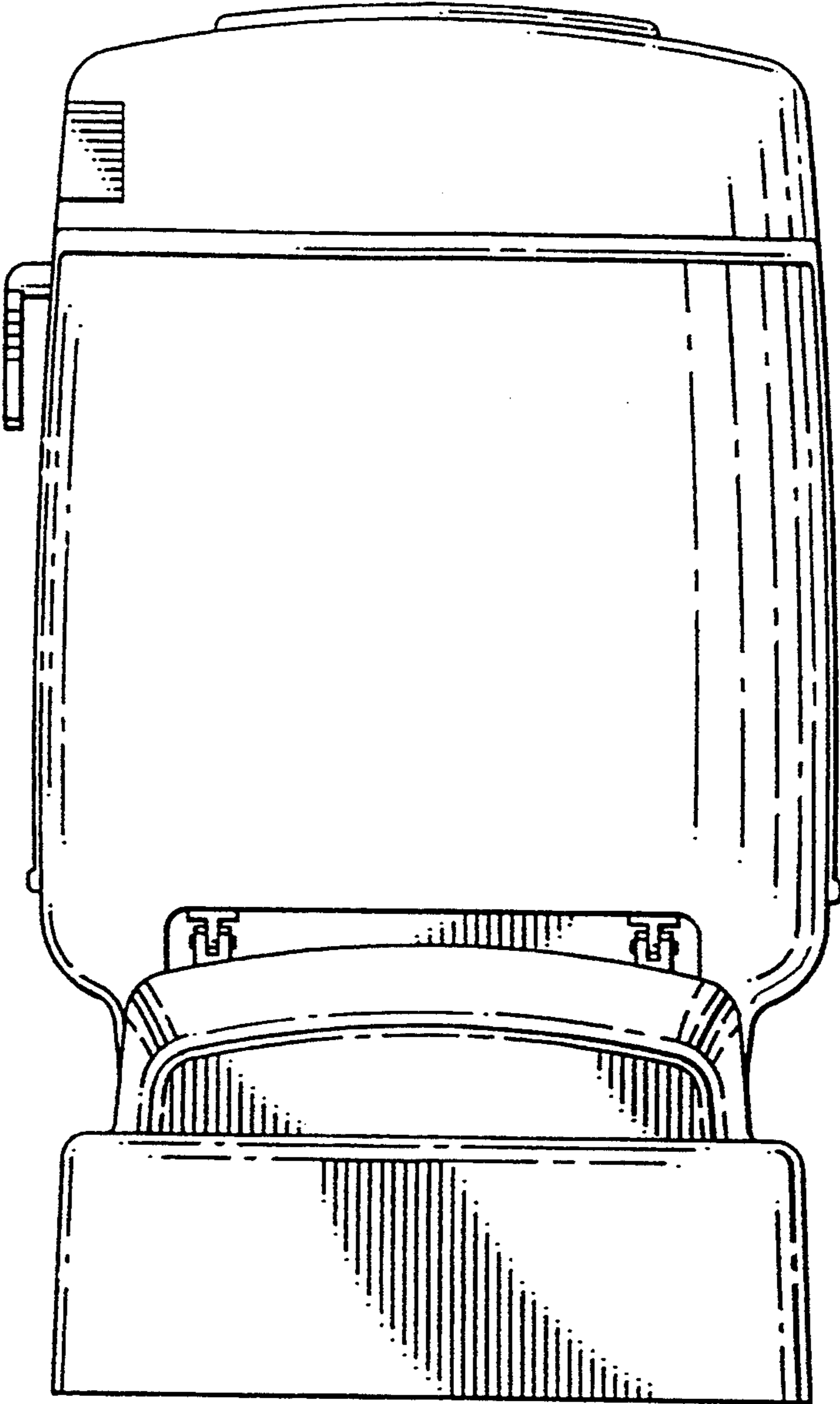


FIG. 7