



US00D351016S

United States Patent [19]

Warshawsky

[11] Patent Number: **Des. 351,016**

[45] Date of Patent: **** Sep. 27, 1994**

[54] **SHOWER HEAD**

[75] Inventor: **Jerome Warshawsky**, Hewlett Harbor, N.Y.

[73] Assignee: **I. W. Industries, Inc.**, Melville, N.Y.

[**] Term: **14 Years**

[21] Appl. No.: **1,991**

[22] Filed: **Nov. 27, 1992**

[52] U.S. Cl. **D23/213**

[58] Field of Search 239/276, 280-283, 239/288.5, 310, 443-449, 456-460, 525, 556-559, 562-565, 567, 581.1; D23/213, 223-229

D. 282,198 1/1986 Shames et al. D23/229
D. 315,393 3/1991 Presman D23/213
D. 341,647 11/1993 Bengston D23/213

Primary Examiner—Wallace R. Burke
Assistant Examiner—Robin V. Taylor
Attorney, Agent, or Firm—Alfred M. Walker

[57] **CLAIM**

The ornamental design for a shower head, as shown and described.

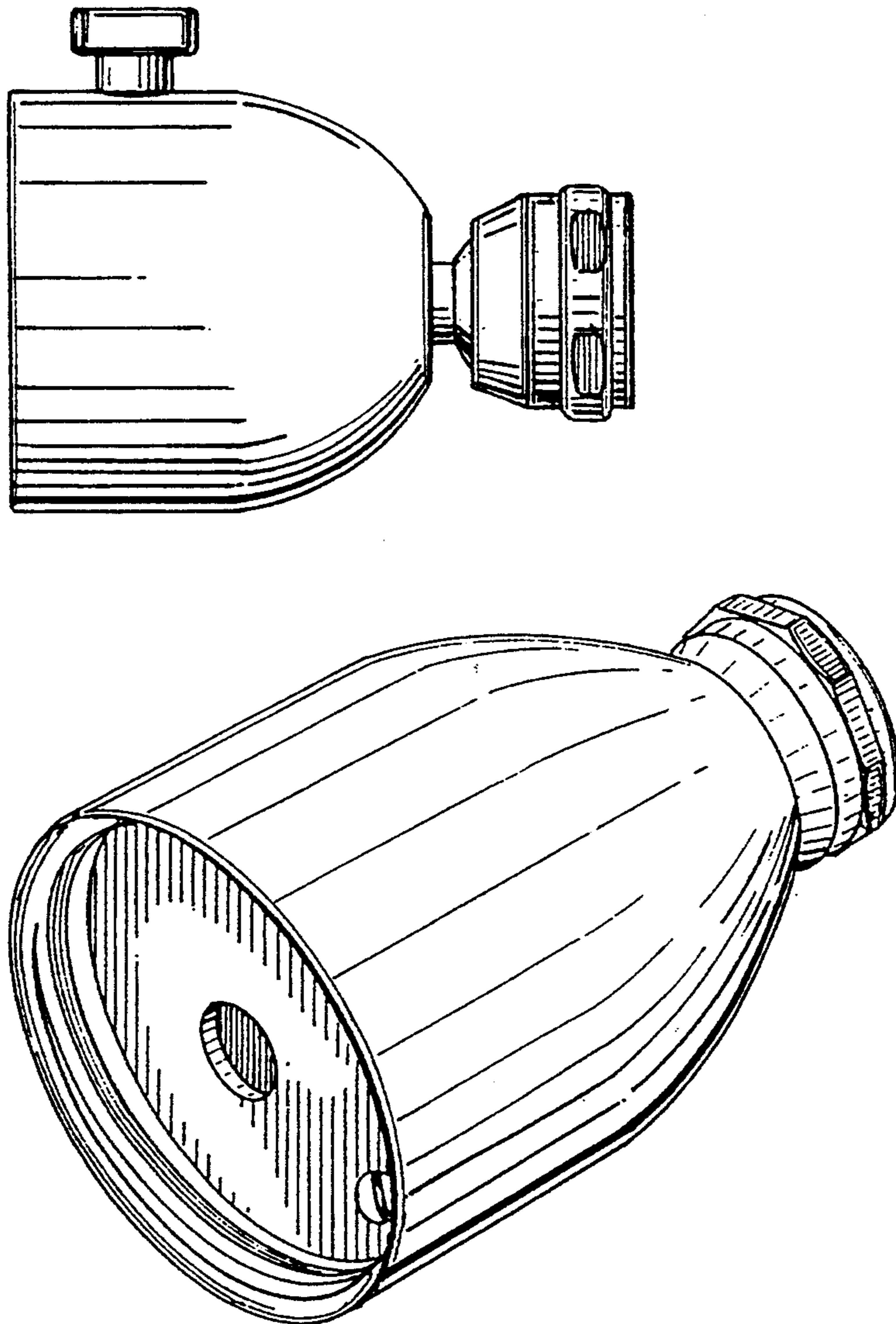
DESCRIPTION

FIG. 1 is a left side view of a shower head, showing my new design;
FIG. 2 is a front elevational view thereof;
FIG. 3 is a rear elevational view thereof;
FIG. 4 is a right side view thereof;
FIG. 5 is a top plan view thereof; and,
FIG. 6 is a perspective view as seen from the front.

[56] **References Cited**

U.S. PATENT DOCUMENTS

D. 268,127 3/1983 Whedon et al. D23/229



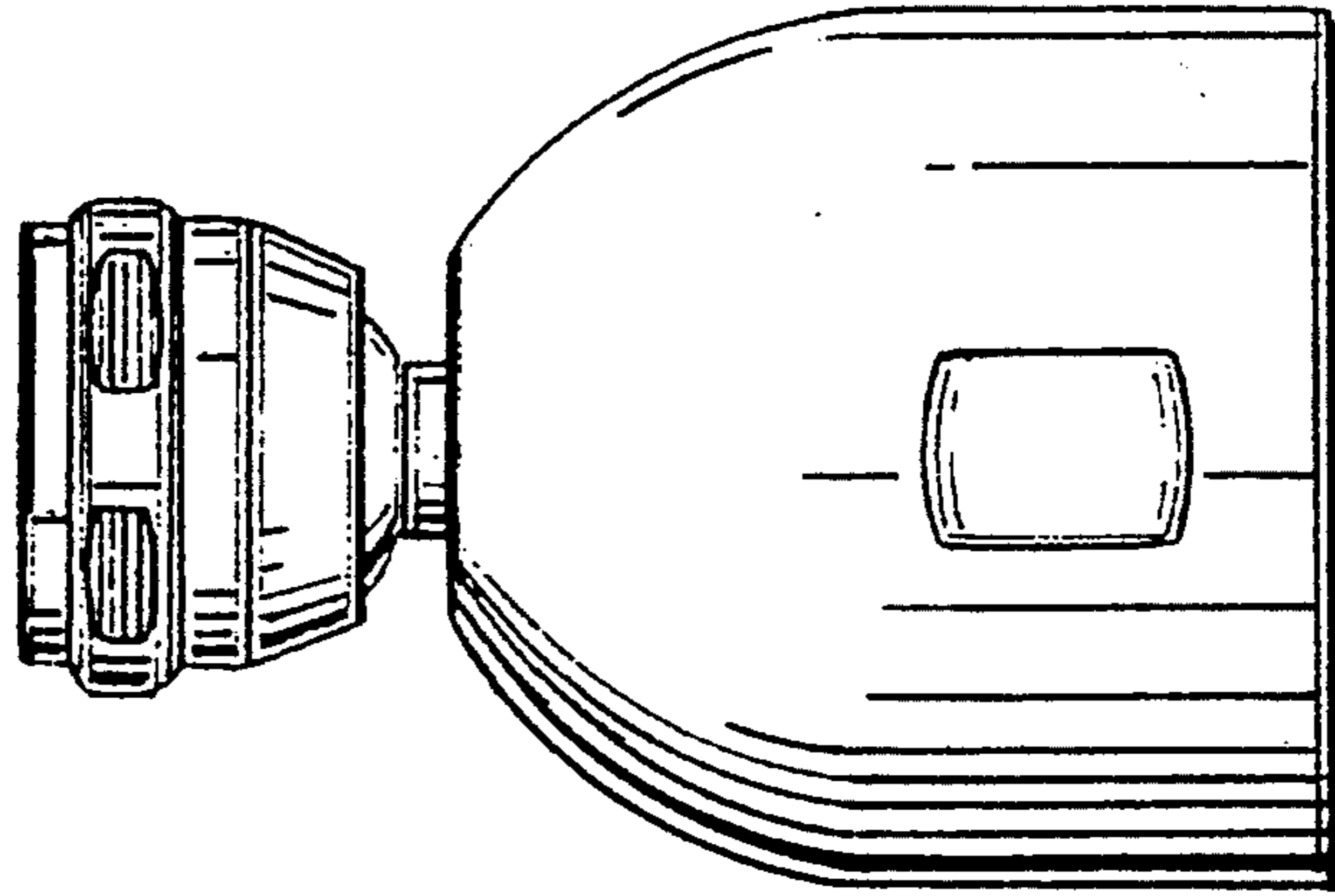


FIG. 1

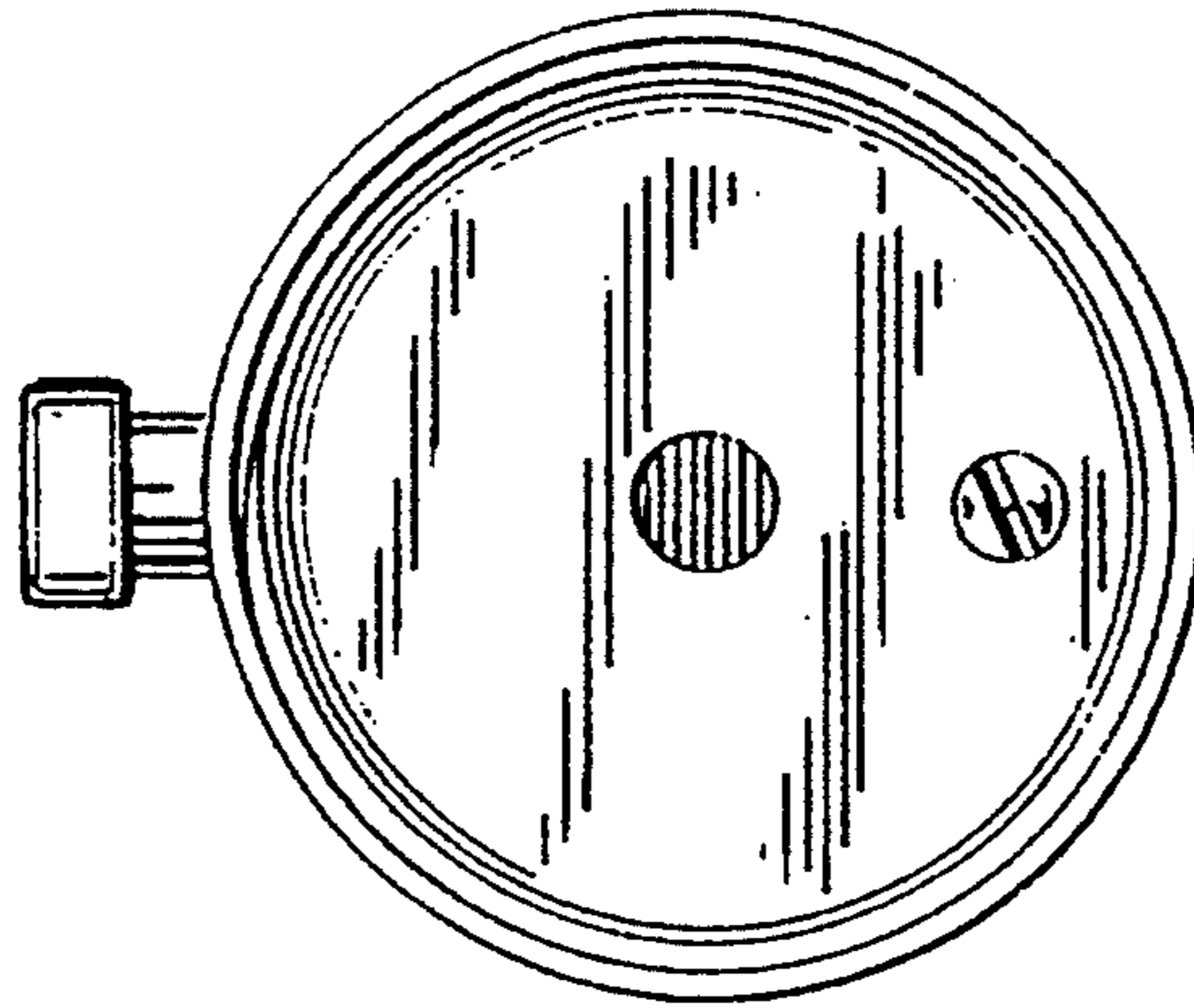


FIG. 2

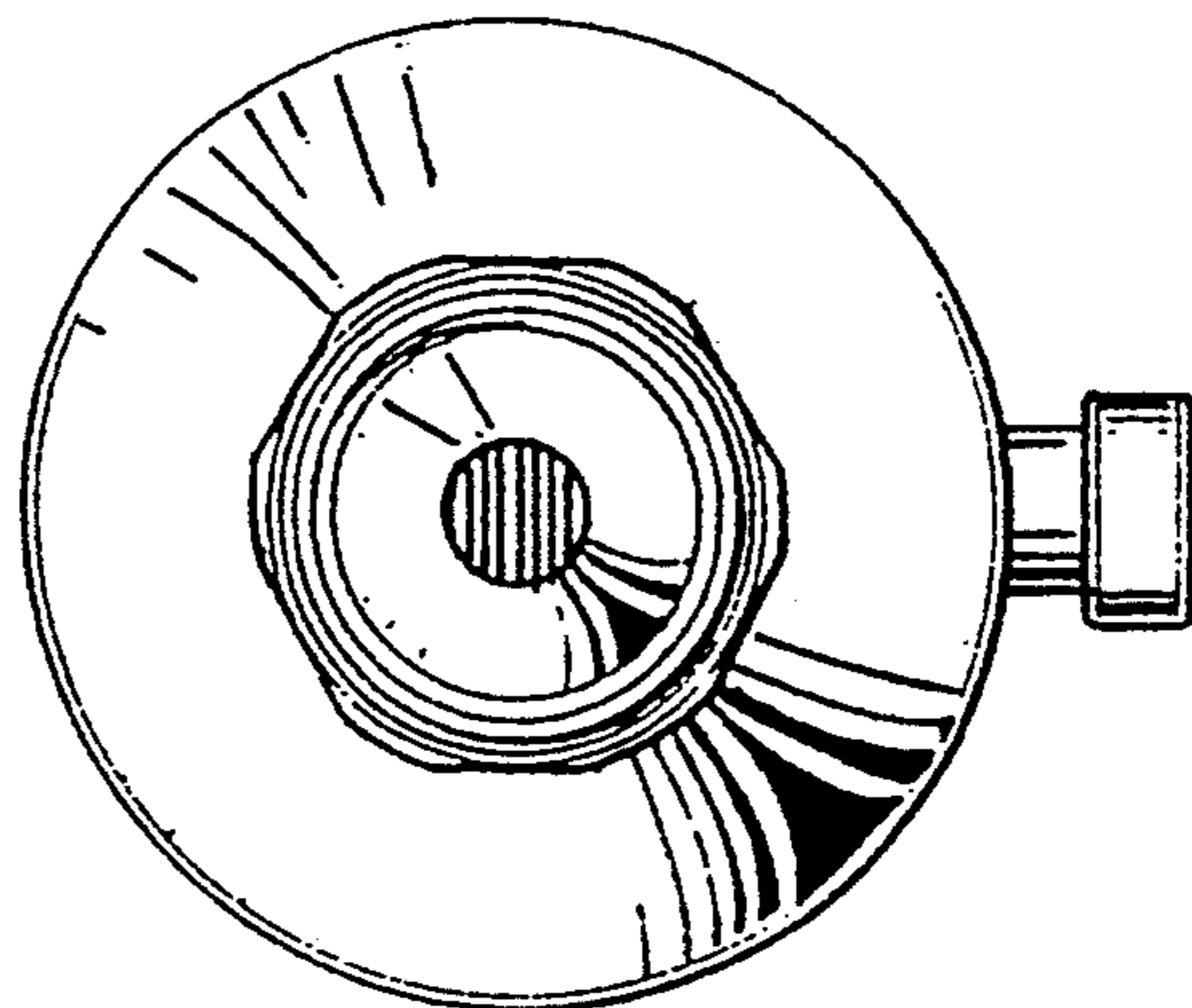


FIG. 3

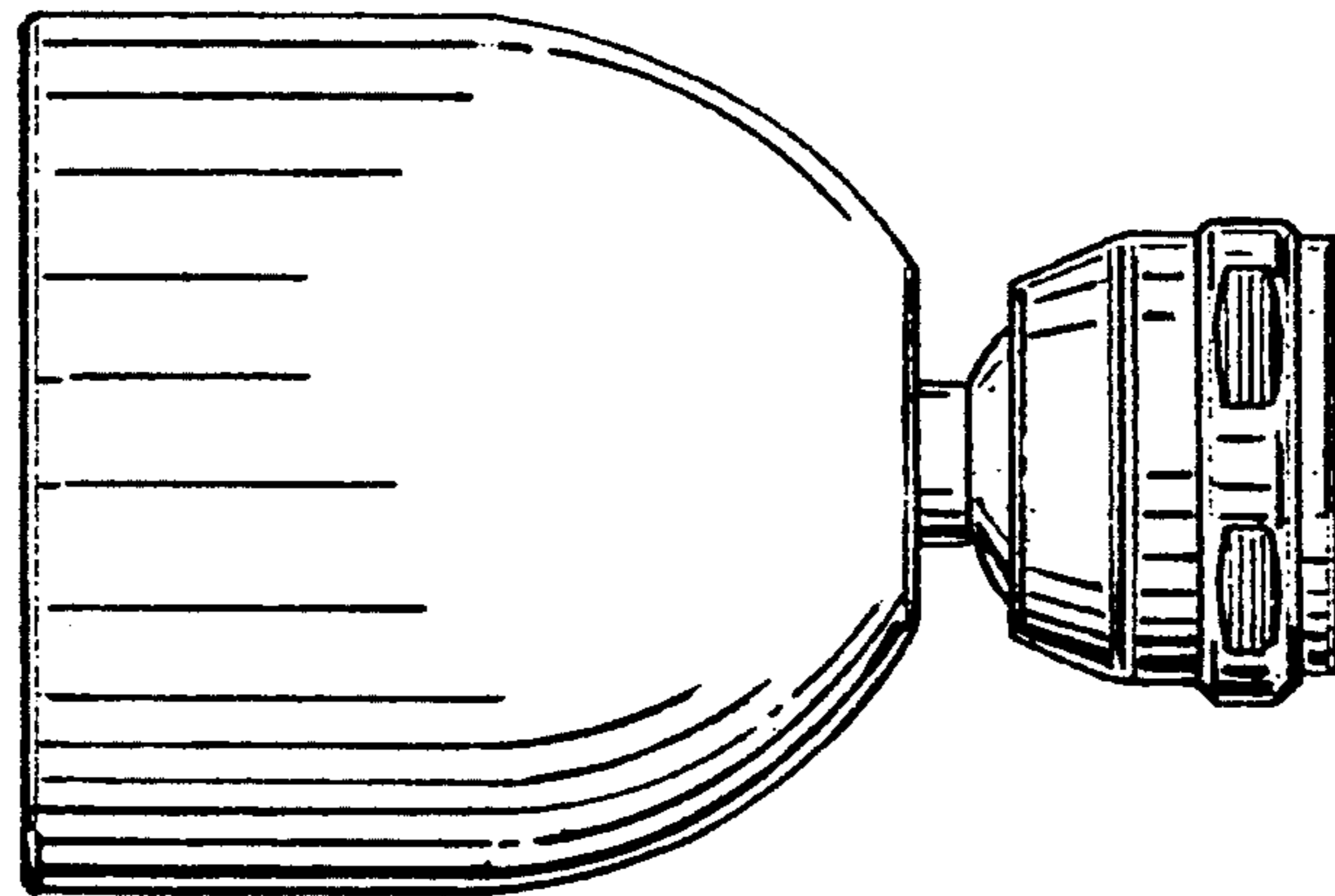


FIG. 4

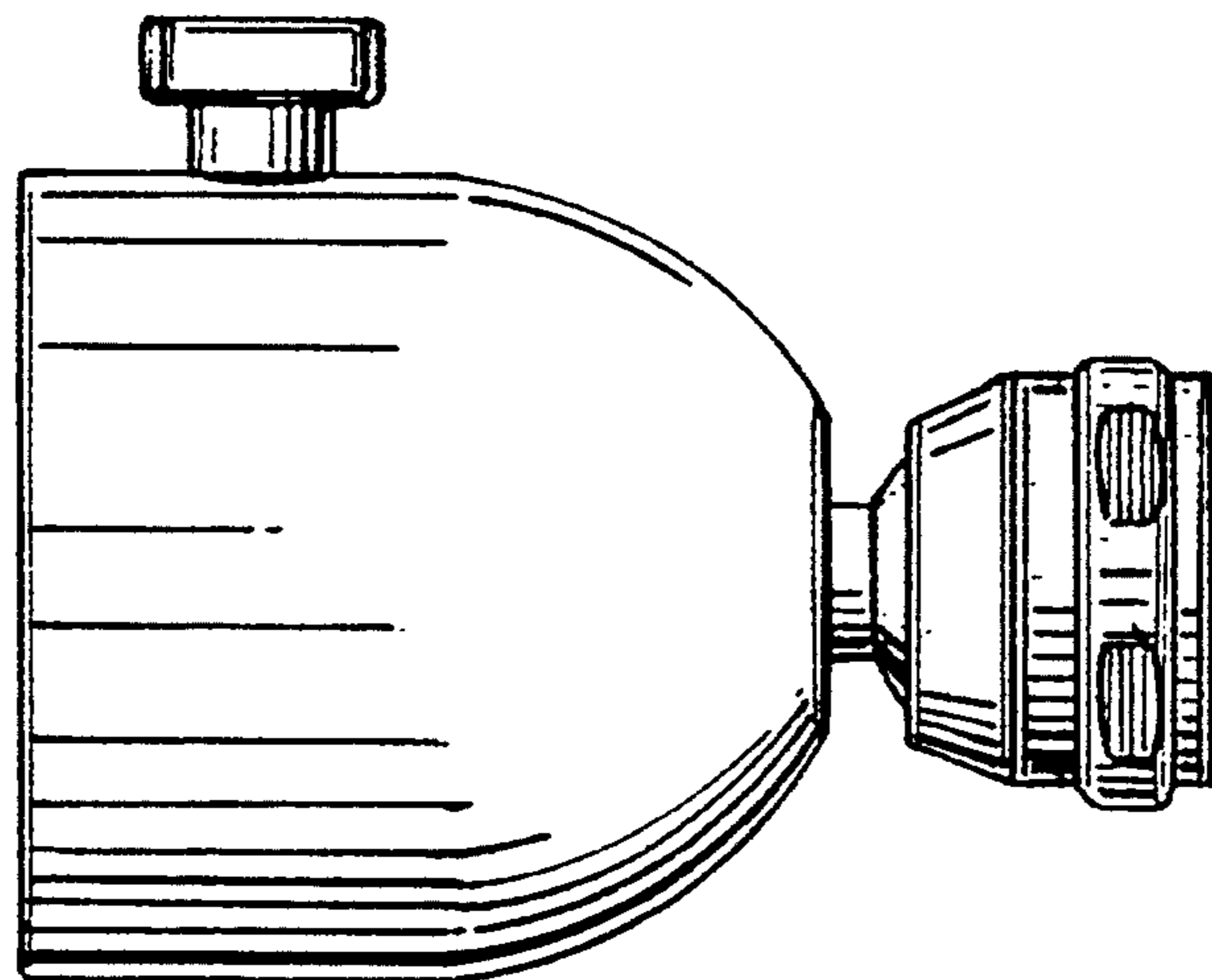


FIG. 5

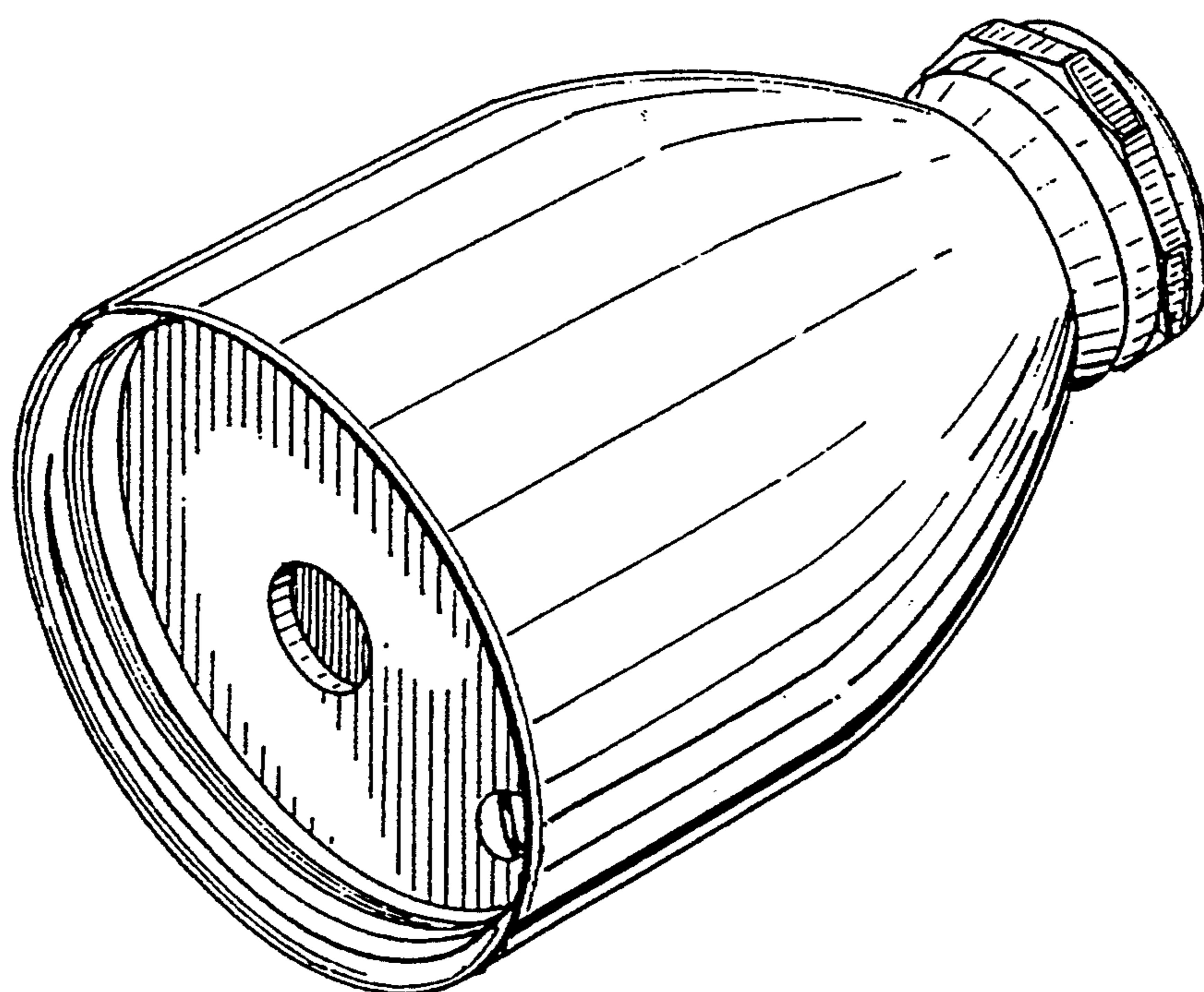


FIG. 6