



US00D351013S

United States Patent [19]

[11] Patent Number: **Des. 351,013**

Mathison et al.

[45] Date of Patent: **** Sep. 27, 1994**

[54] **MECHANICAL INSPECTION AND SEALING PLUG FOR A MONITORING WELL**

4,986,313 1/1991 Mounet 138/89
5,044,404 9/1991 Watson 138/96 R X
5,197,605 3/1993 Hampton 138/89 X

[75] Inventors: **Allen D. Mathison**, Richfield; **Bryan R. Benson**, North Branch, both of Minn.

OTHER PUBLICATIONS

Product Brochure, Cherne Industries Incorporated, "CHERNE Kwik 'N Sure Mechanical Plugs", 1989, pp. 1-2.

[73] Assignee: **Cherne Industries Incorporated**, Minneapolis, Minn.

Product Brochure, Cherne Industries Incorporated, "Cherne Monitor Well Locking Plugs 2", 4" & 6" Sizes", 1990, pp. 1-2.

[**] Term: **14 Years**

Primary Examiner—Wallace R. Burke
Assistant Examiner—M. H. Tung
Attorney, Agent, or Firm—Anthony G. Eggink

[21] Appl. No.: **821,596**

[22] Filed: **Jan. 15, 1992**

[52] U.S. Cl. **D23/260; D23/200**

[58] Field of Search 166/118-119,
166/133-135, 92-94, 97, 75.1; 138/89, 96 R;
D23/200, 260

[57] CLAIM

The ornamental design for the mechanical inspection and sealing plug for a monitoring well, as shown and described.

[56] References Cited

U.S. PATENT DOCUMENTS

D. 300,350 3/1989 Mathison D23/260
D. 326,500 5/1992 Pettesch D23/200
3,299,956 1/1967 Howe 166/119 X
4,178,966 12/1979 Savor et al. 138/89
4,202,378 5/1980 Bush et al. 138/96 R
4,474,216 10/1984 Noe 138/89

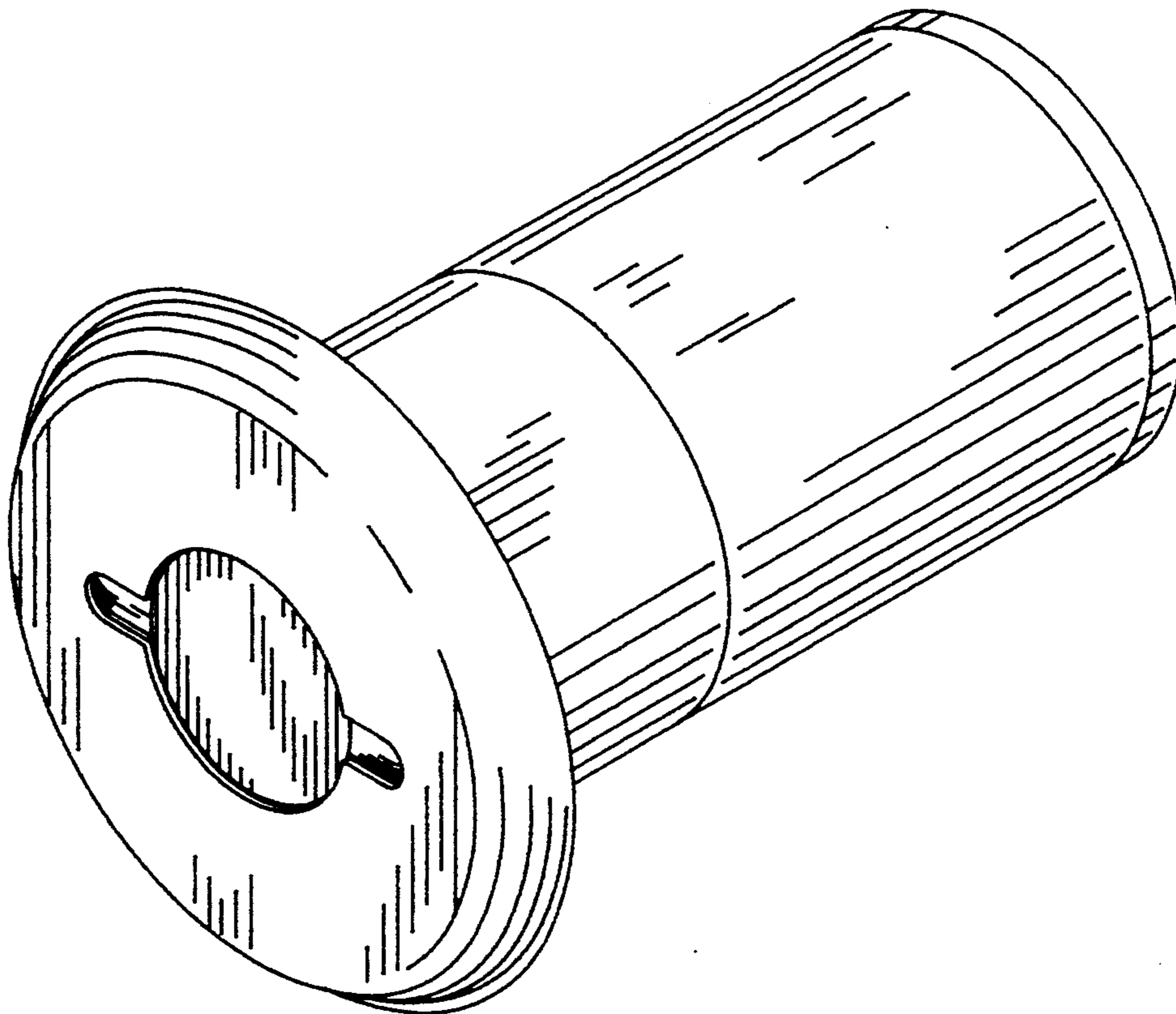
DESCRIPTION

FIG. 1 is a perspective view of the mechanical inspection and sealing plug for a monitoring well showing our new design;

FIG. 2 is a top end view thereof;

FIG. 3 is a lateral view thereof; and,

FIG. 4 is a bottom end view thereof.



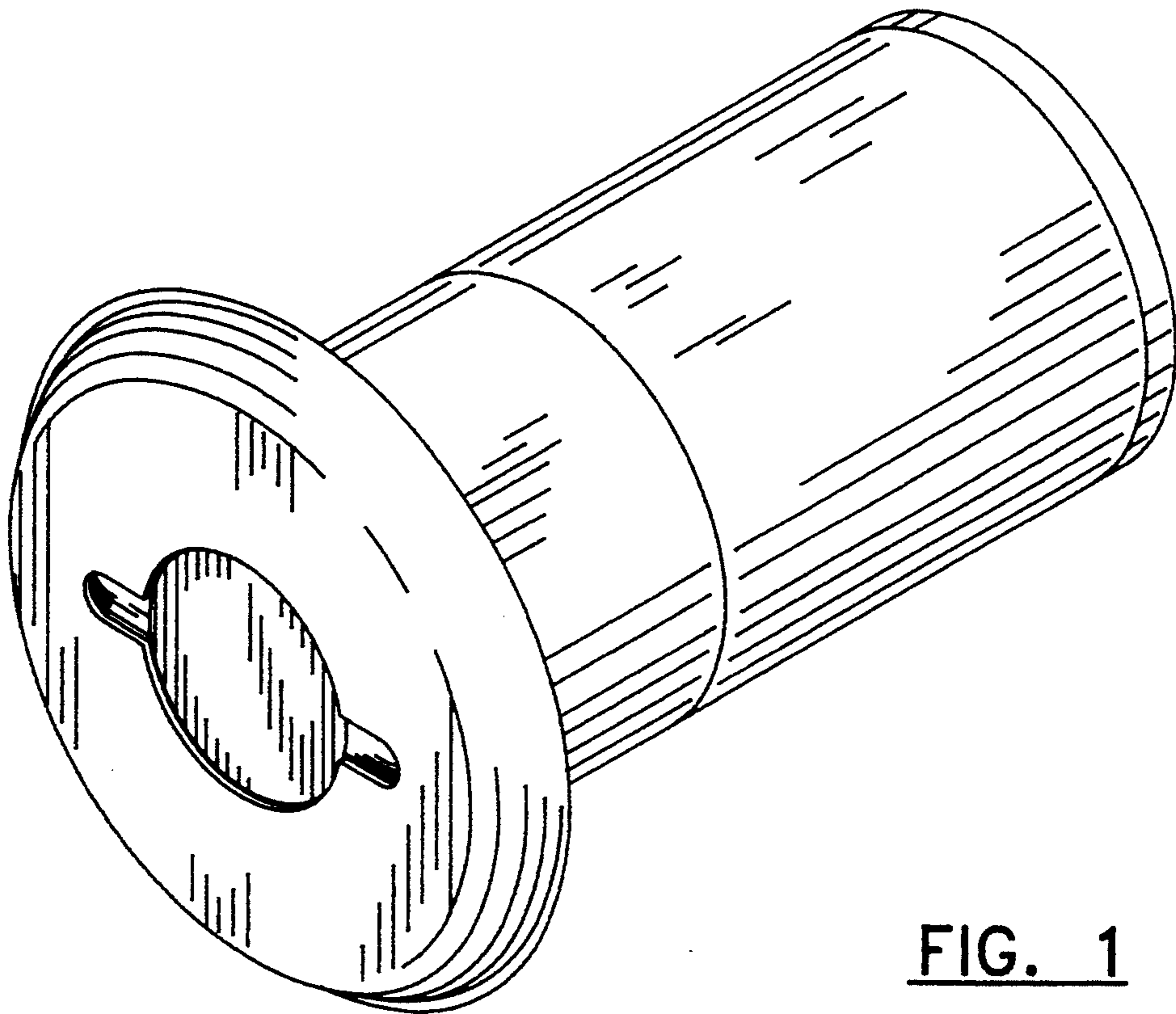


FIG. 1

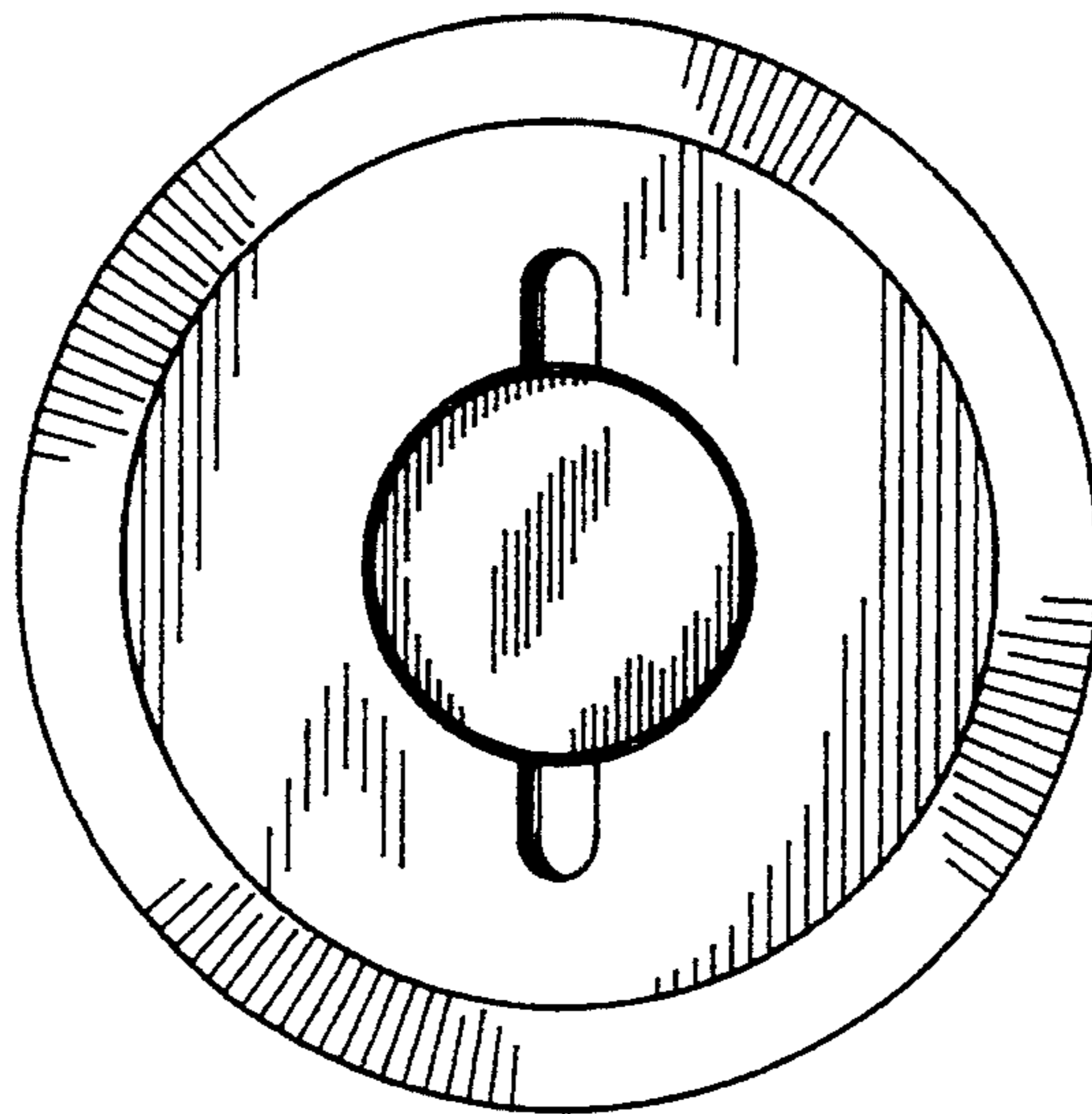


FIG. 2

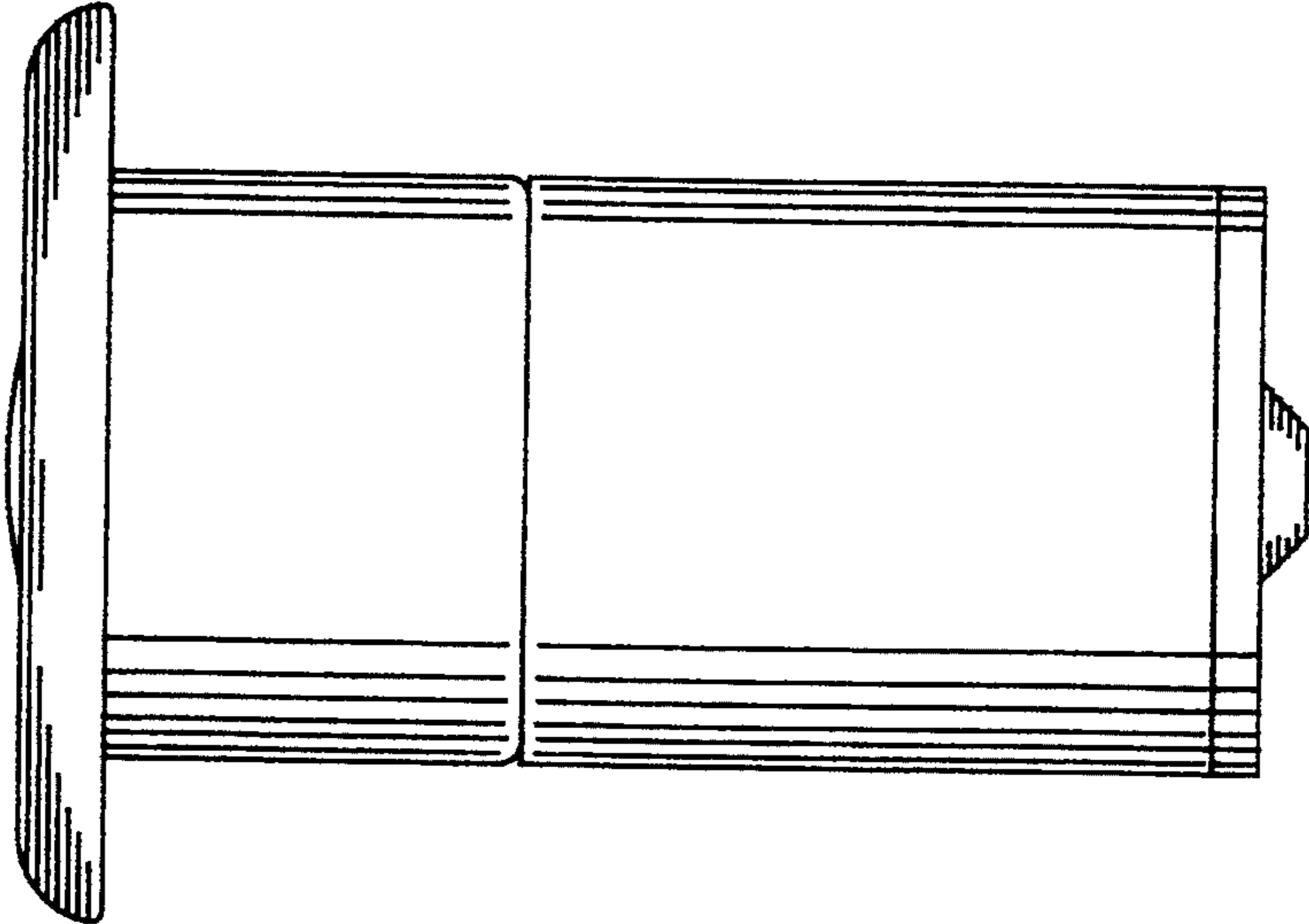


FIG. 3

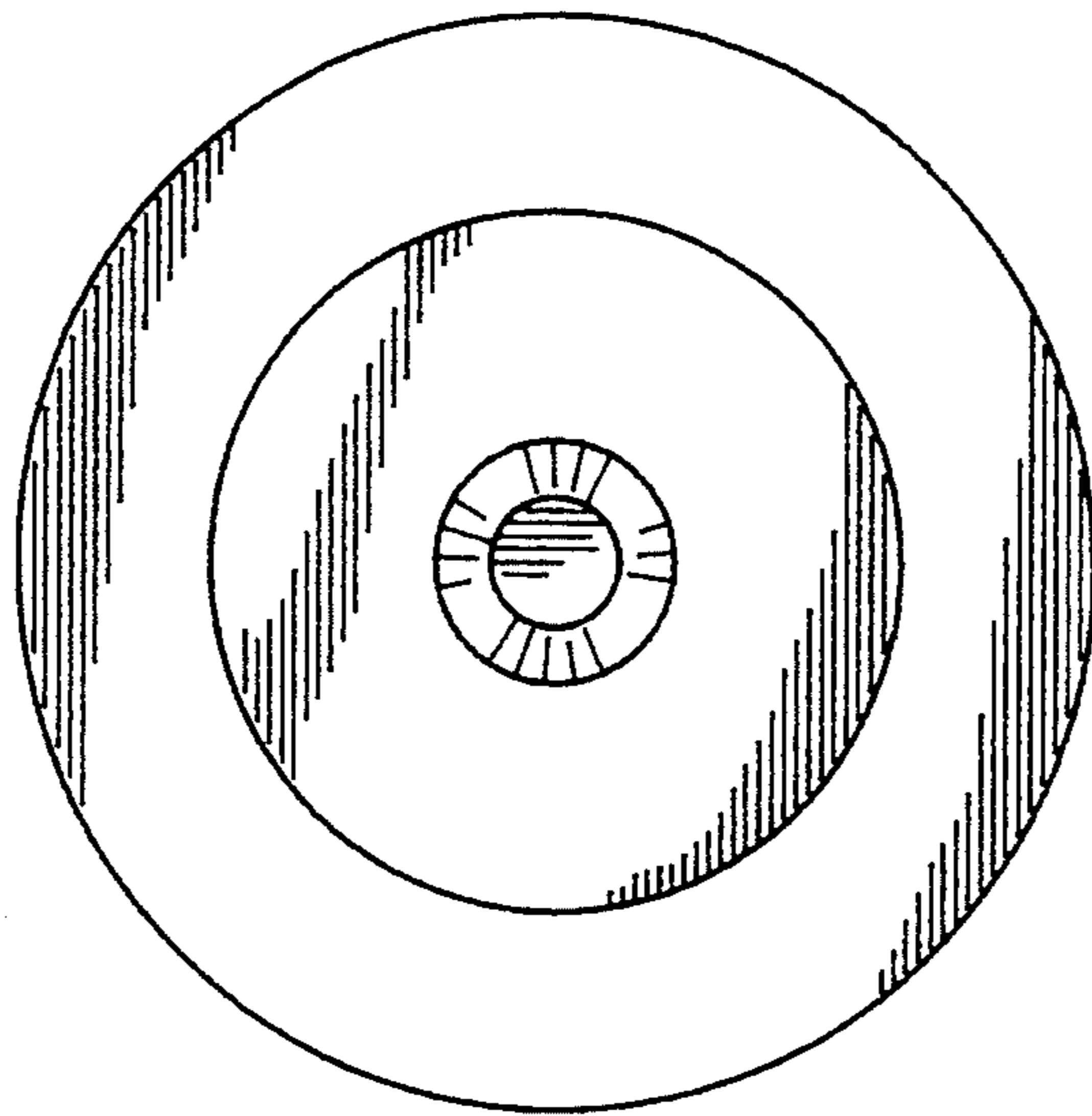


FIG. 4