



US00D351002S

United States Patent [19] Park

[11] Patent Number: **Des. 351,002**

[45] Date of Patent: **** Sep. 27, 1994**

[54] **GOLF BALL DISPENSER**

[76] Inventor: **Sang W. Park**, 142-1 Garak-Dong,
Misung Apt 6-1106 Songpa-Ku,
Seoul, Rep. of Korea

[**] Term: **14 Years**

[21] Appl. No.: **740,483**

[22] Filed: **Aug. 5, 1991**

[52] U.S. Cl. **D21/234**

[58] Field of Search **273/201; D21/234, 208**

[56] **References Cited**

U.S. PATENT DOCUMENTS

D. 291,342	8/1987	Turnidge	D21/208
3,075,774	1/1963	Buell	273/201
3,112,932	12/1963	Marsh	273/201

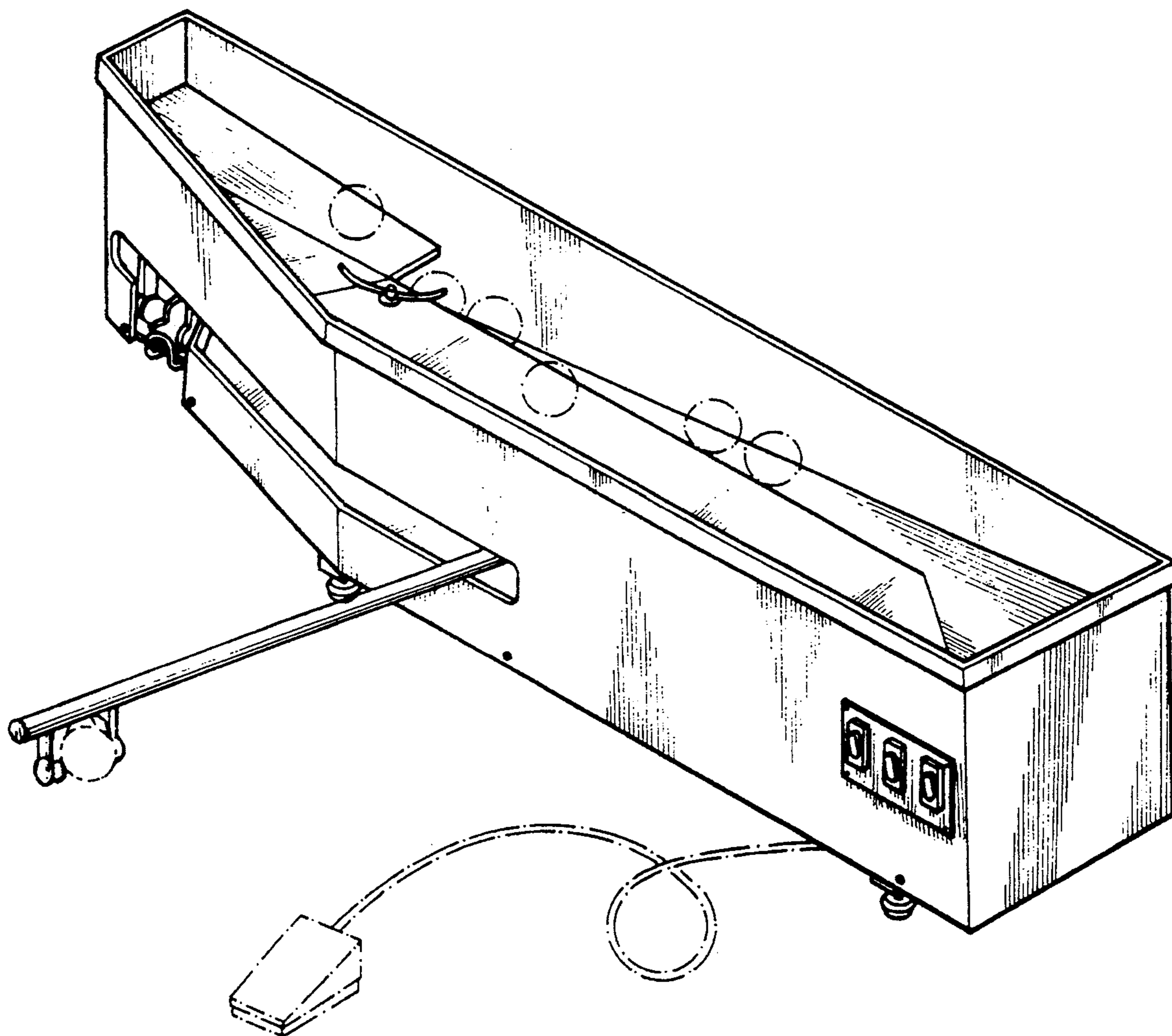
Primary Examiner—Melvin B. Feifer
Attorney, Agent, or Firm—Birch, Stewart, Kolasch & Birch

[57] **CLAIM**

The ornamental design for a golf ball dispenser, as shown and described.

DESCRIPTION

FIG. 1 is a perspective view of golf ball dispenser for practicing golf showing my new design; FIG. 2 is a top plan view thereof; FIG. 3 is a front elevational view thereof; FIG. 4 is a right side elevational view thereof; FIG. 5 is a left side elevational view thereof; FIG. 6 is a rear elevational view thereof; and, FIG. 7 is a sectional elevational view thereof. The broken lines in FIG. 1 indicate environment only and form no part of my design.



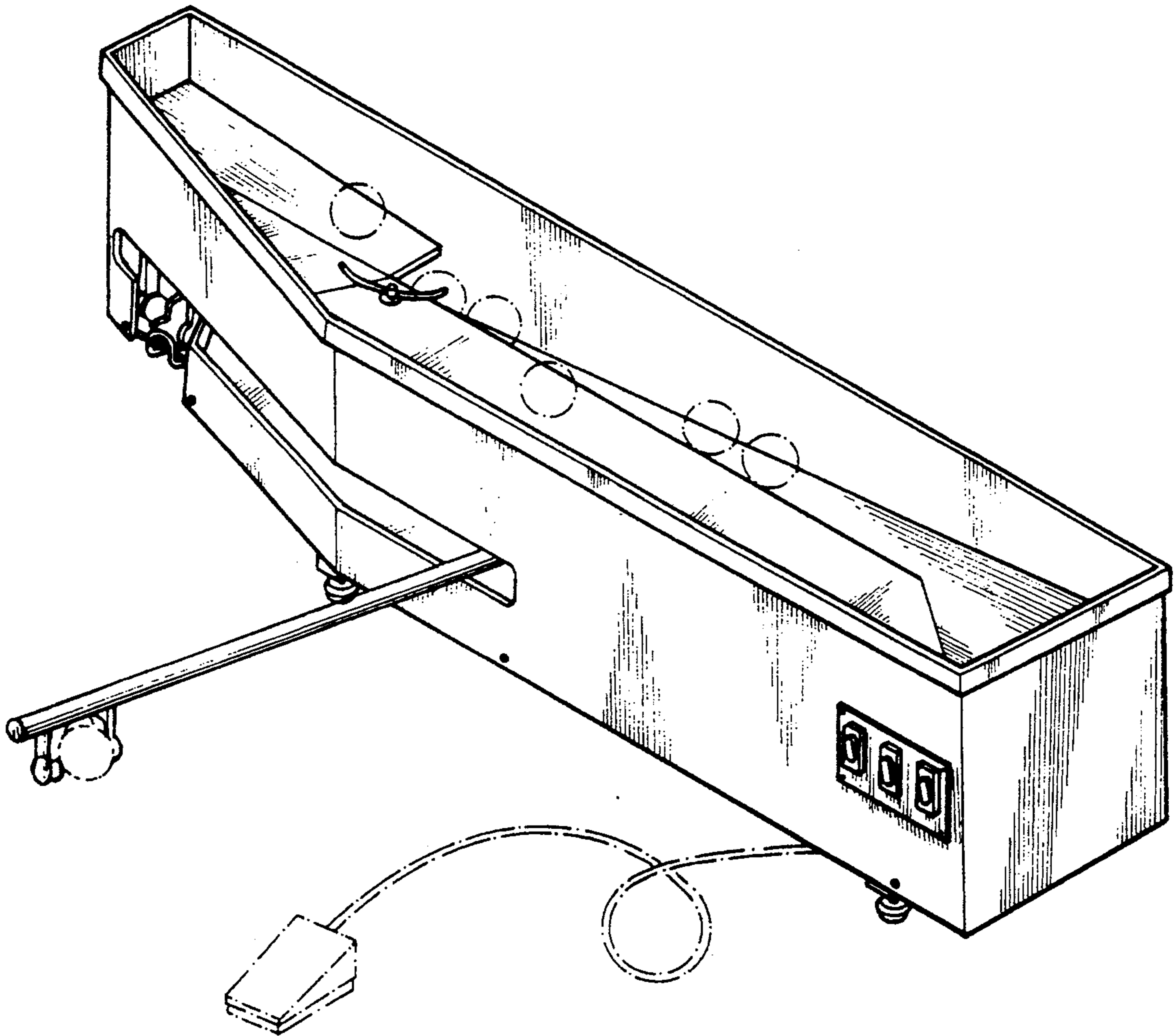


FIG. 1

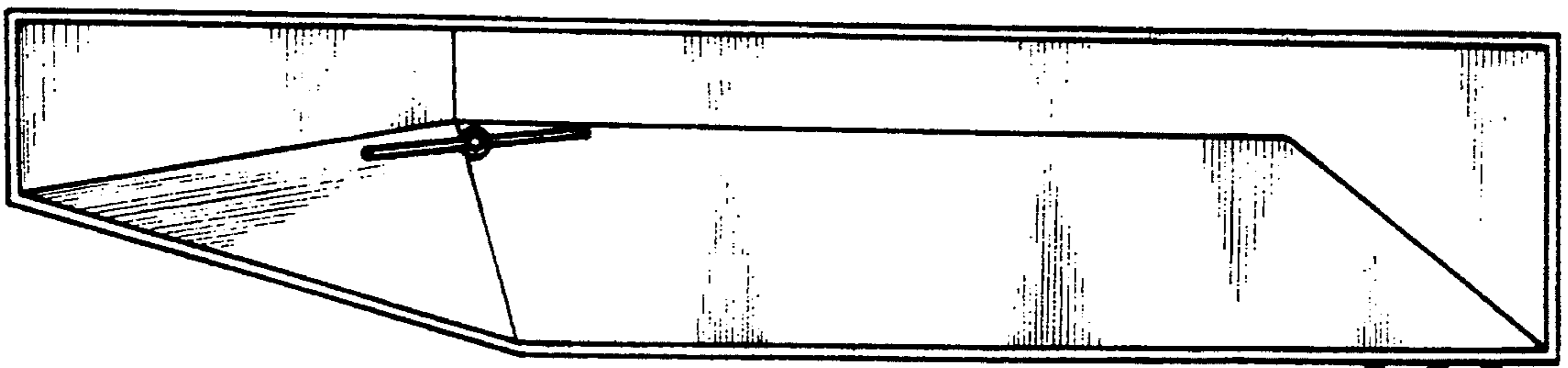


FIG. 2

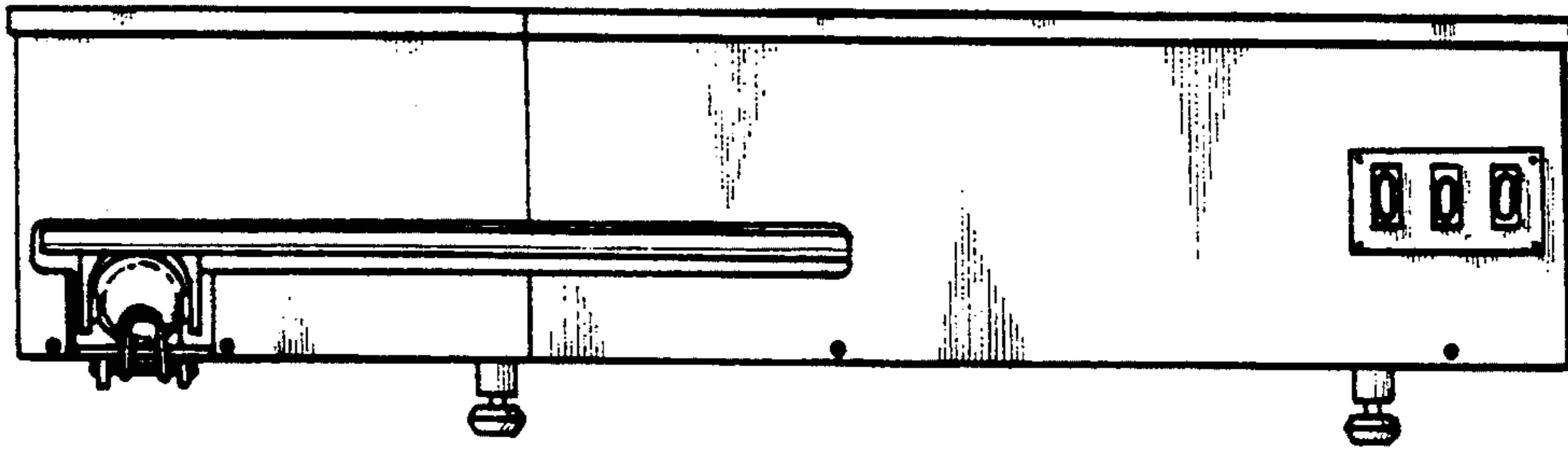


FIG. 3

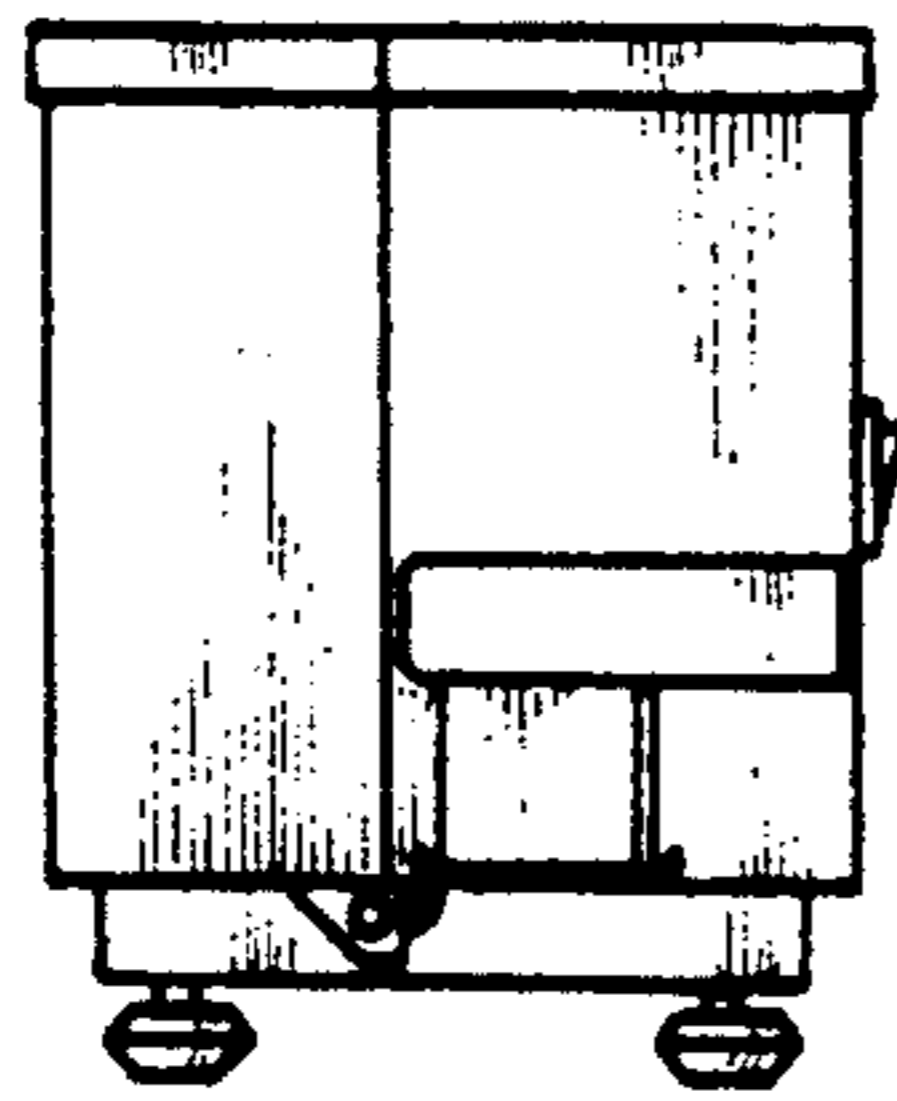


FIG. 4

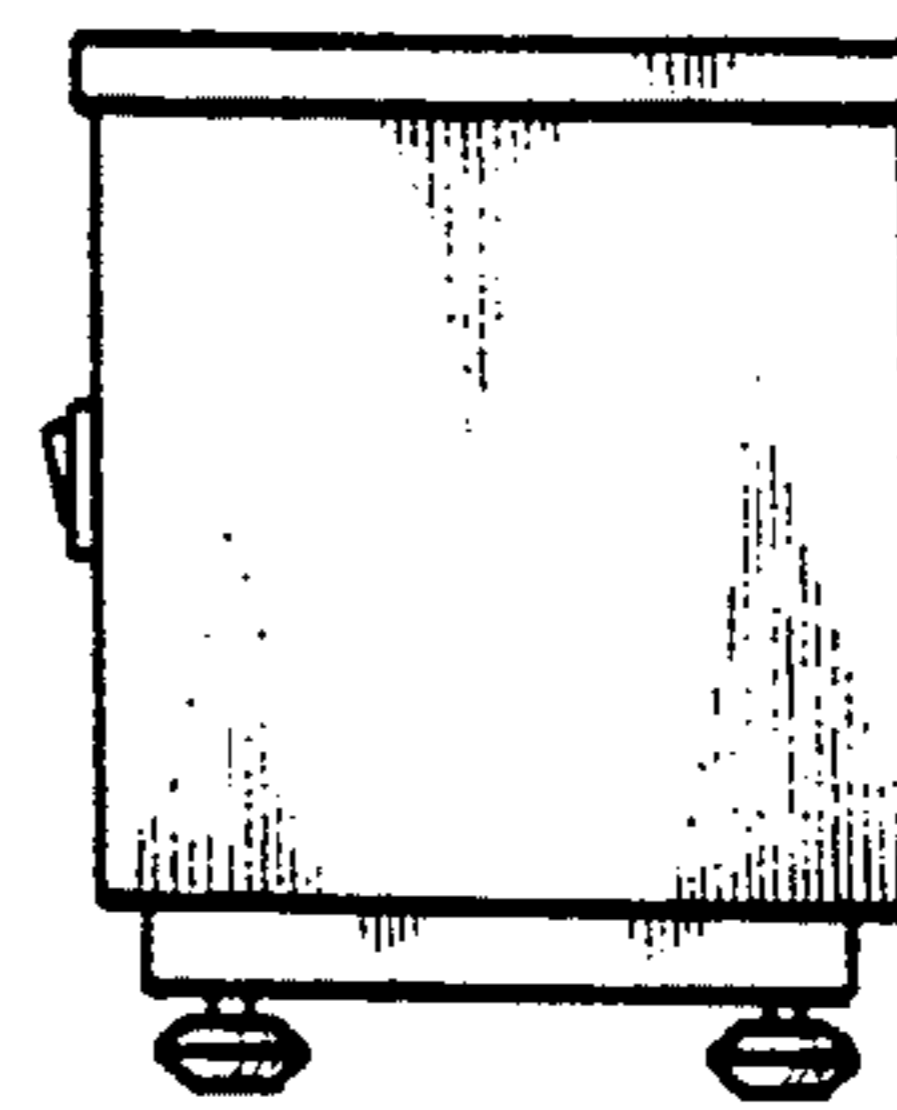


FIG. 5

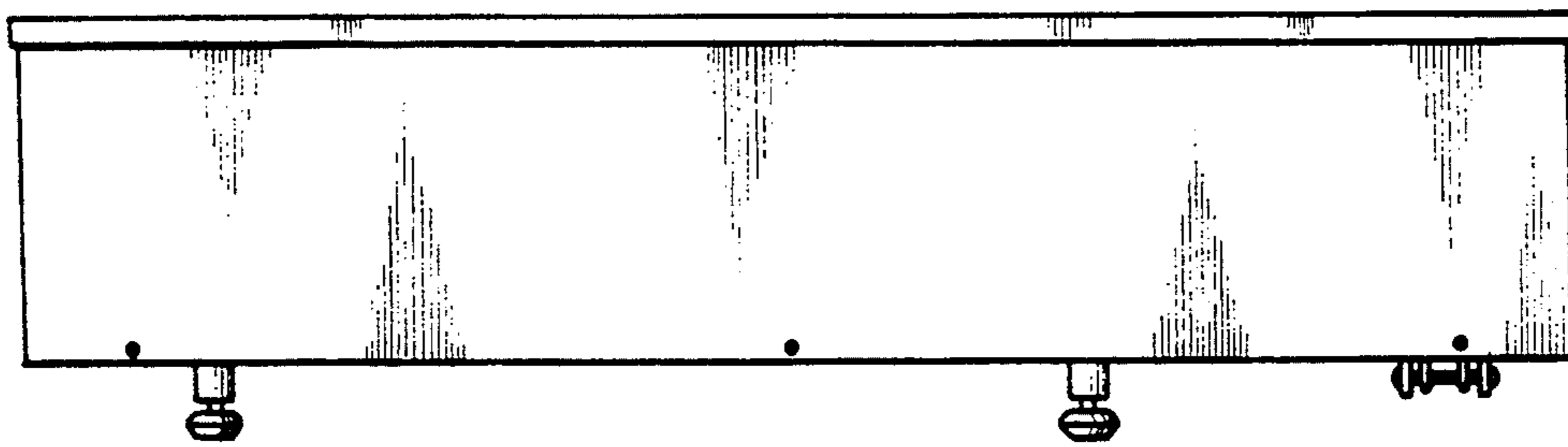


FIG. 6

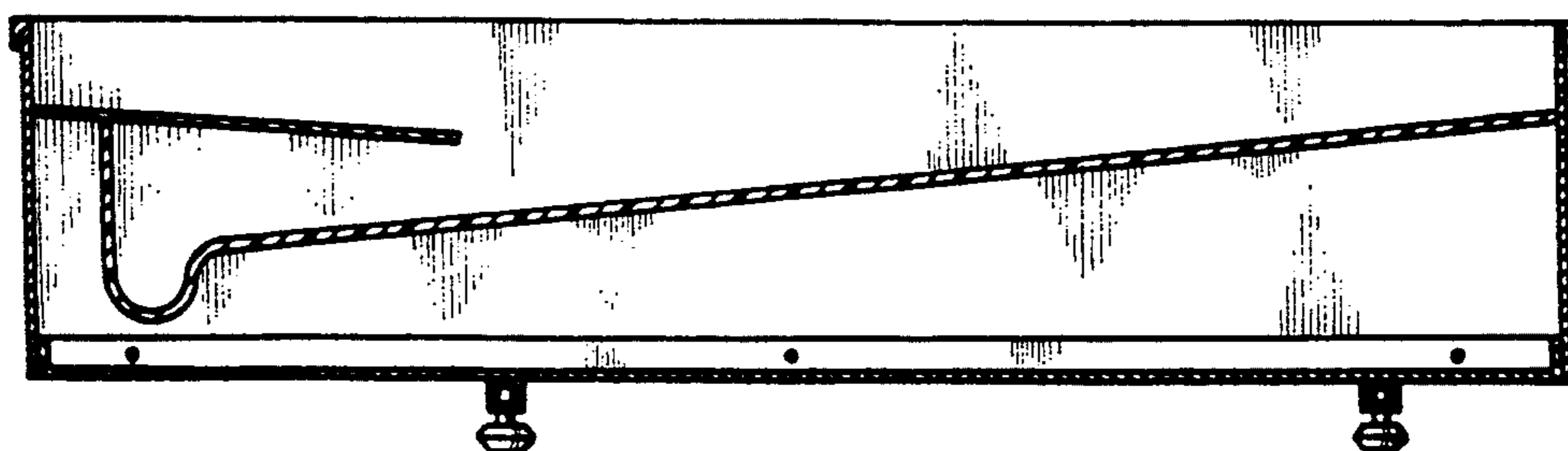


FIG. 7