



US00D350998S

United States Patent [19]

[11] Patent Number: Des. 350,998

Wooten

[45] Date of Patent: ** Sep. 27, 1994

[54] GOLF PUTTER HEAD

[75] Inventor: Wayne R. Wooten, Hazlehurst, Ga.

[73] Assignee: The Teardrop Putter Corporation, Hilton Head, S.C.

[**] Term: 14 Years

[21] Appl. No.: 936,246

[22] Filed: Aug. 27, 1992

[52] U.S. Cl. D21/217

[58] Field of Search 273/167-175,
273/164.1; D21/214-220

[56] References Cited

U.S. PATENT DOCUMENTS

D. 138,380	7/1944	Myers et al.	D21/217
D. 212,890	12/1968	Rose	D21/217
D. 279,497	7/1985	Brown	D21/219
1,647,487	11/1927	Vernon	D21/214
4,043,562	8/1977	Shillington	273/164

OTHER PUBLICATIONS

Putter Advertisements, Austads Magazine, p. 25.

Primary Examiner—Melvin B. Feifer
Attorney, Agent, or Firm—Louis T. Isaf

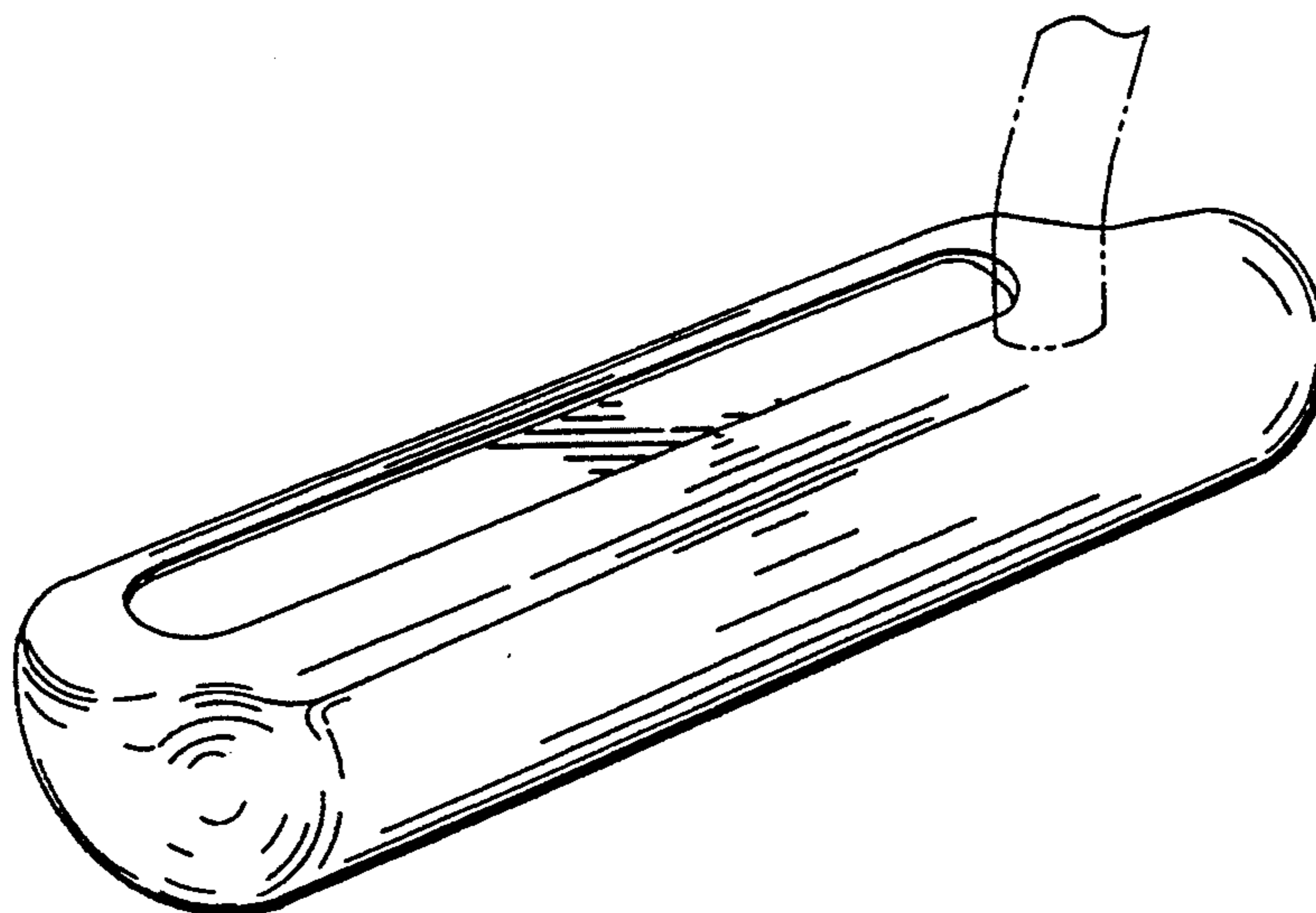
[57] CLAIM

The ornamental design for a golf putter head, as shown and described.

DESCRIPTION

FIG. 1 is a perspective view of a golf putter head, showing my new design;
FIG. 2 is a top view thereof;
FIG. 3 is a bottom view thereof;
FIG. 4 is a left side view thereof;
FIG. 5 is a right side view thereof;
FIG. 6 is a front view thereof; and,
FIG. 7 is a rear view thereof.

The broken lines in the drawing are for illustrative purposes only.



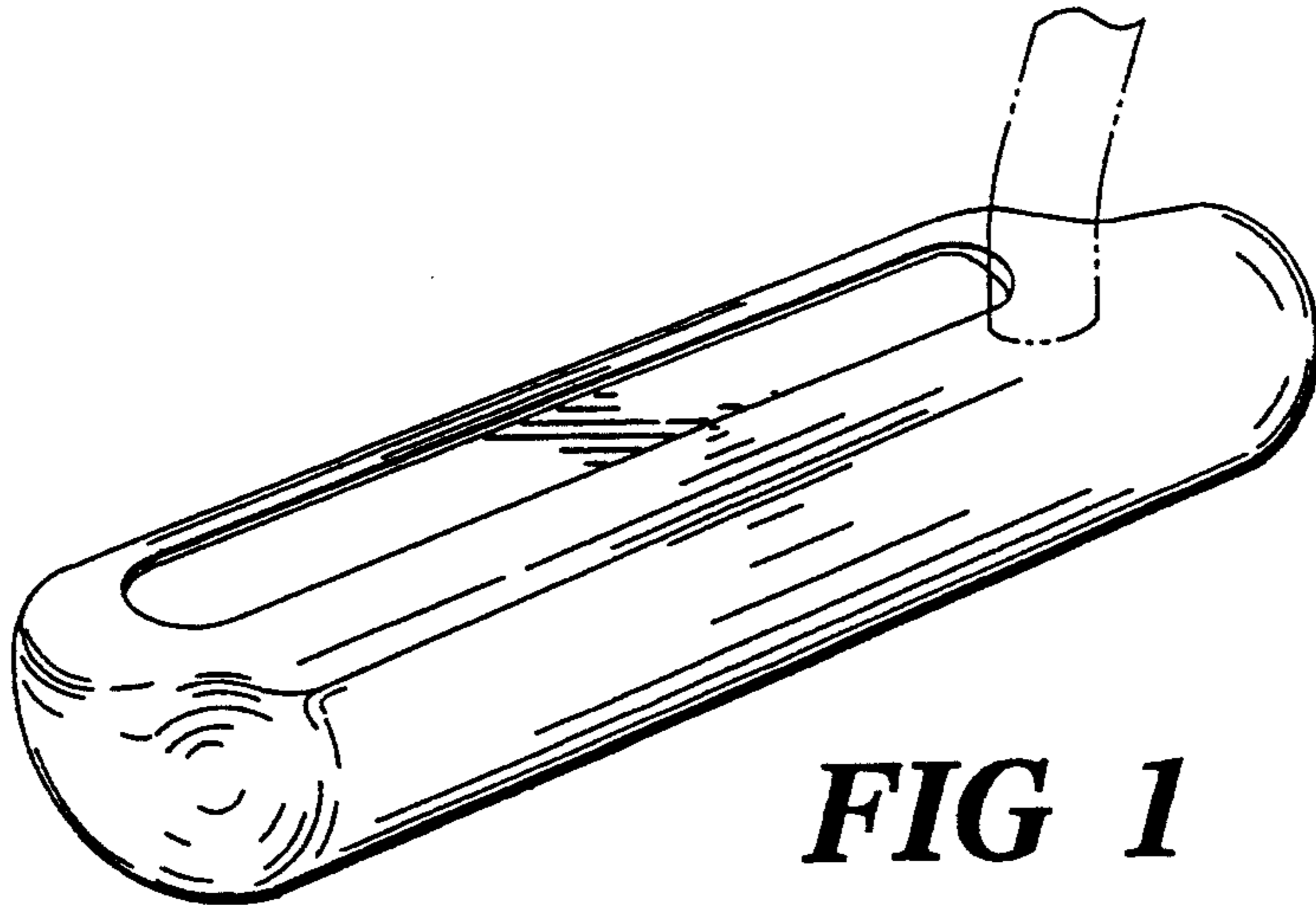


FIG 1

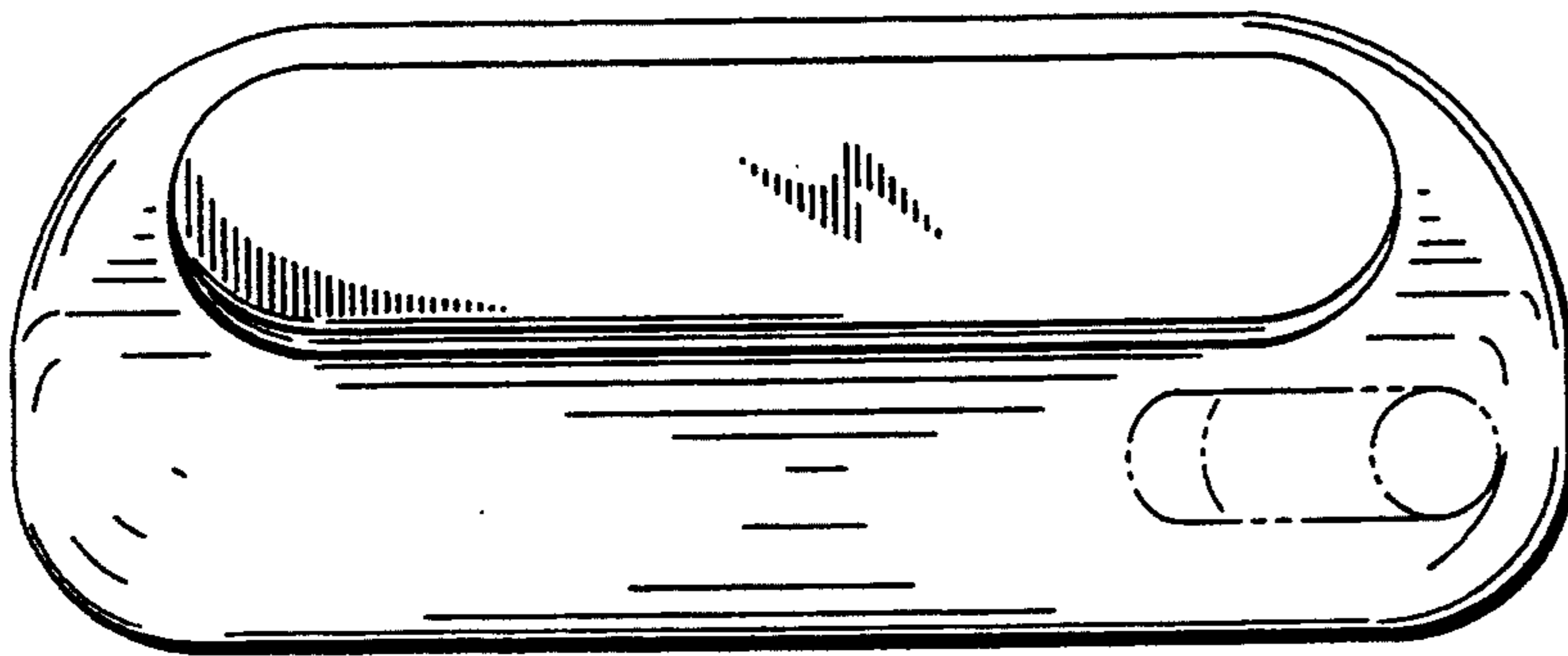


FIG 2

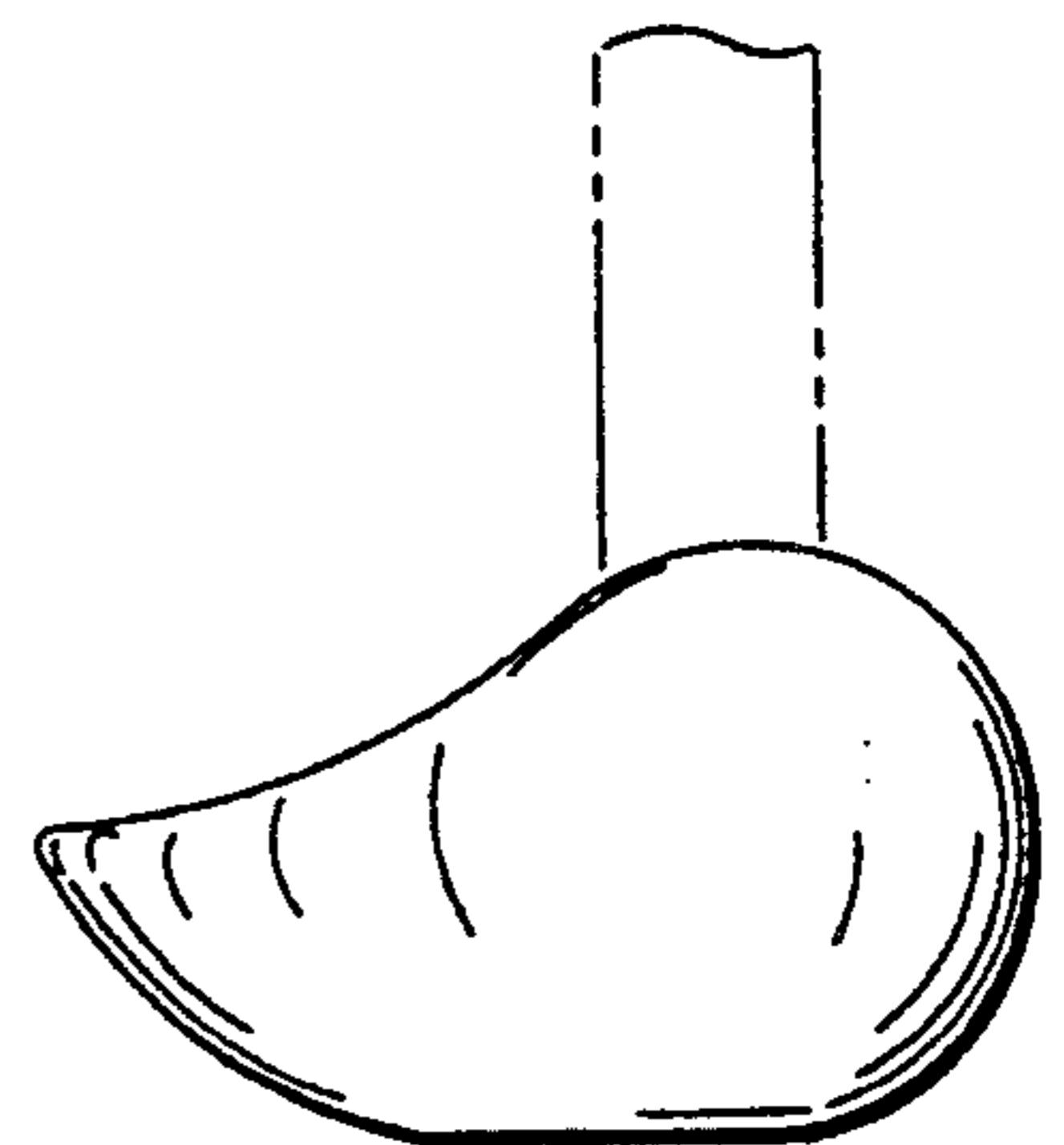


FIG 4

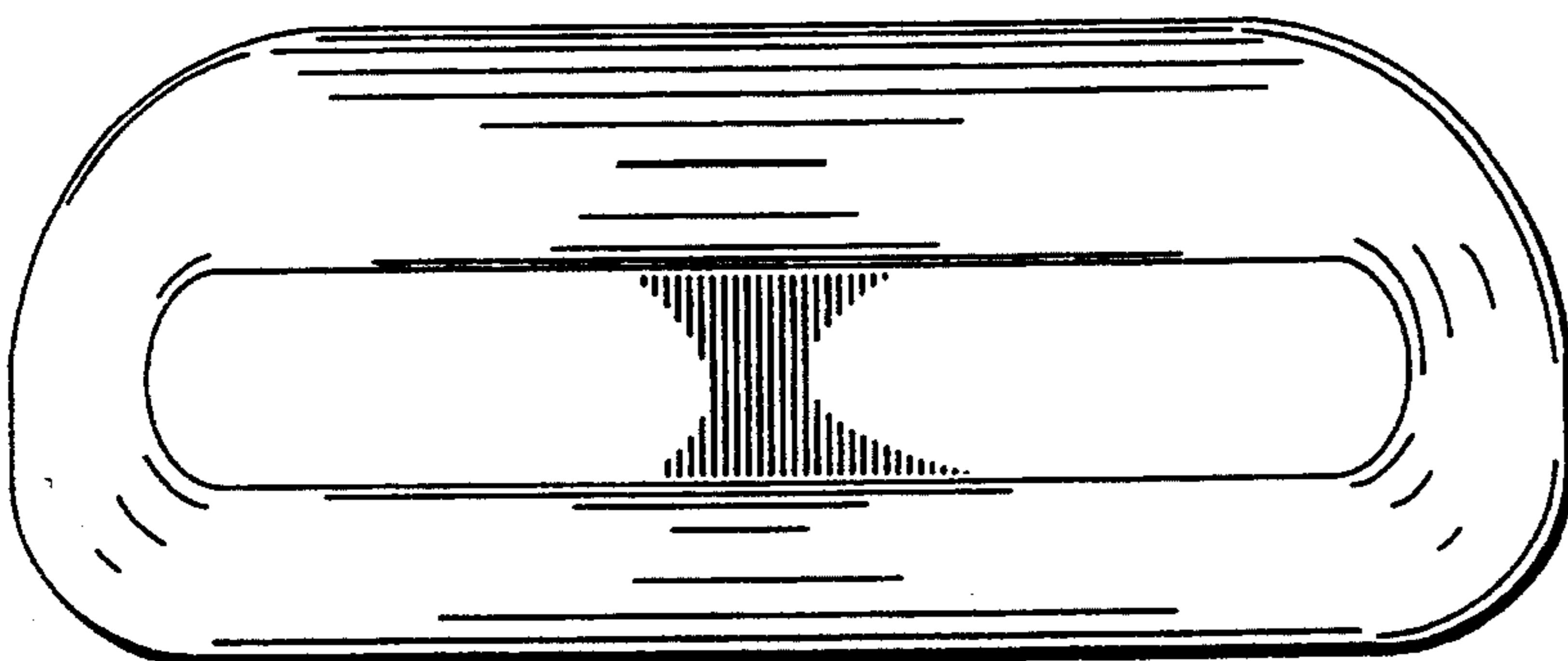


FIG 3

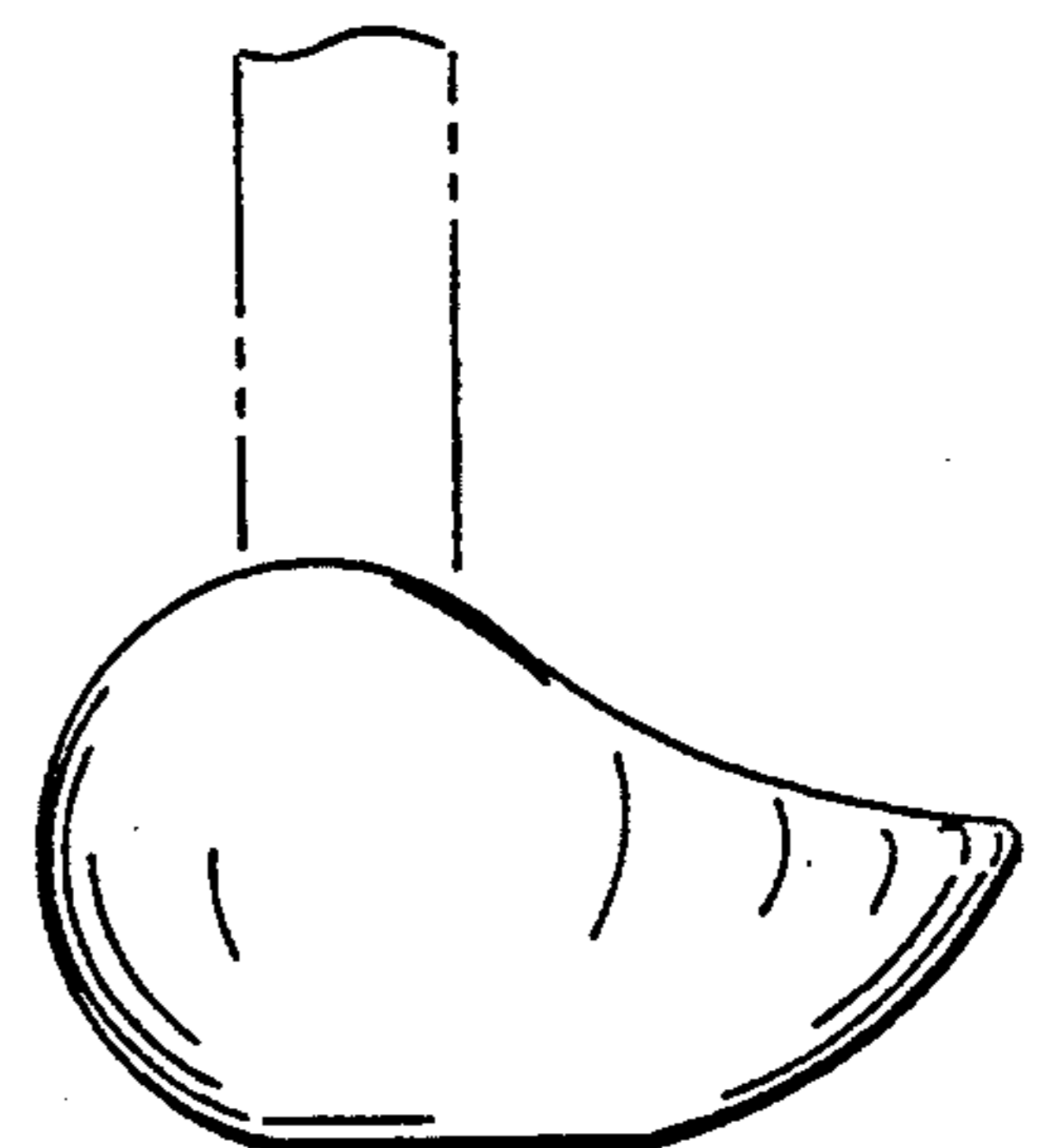


FIG 5

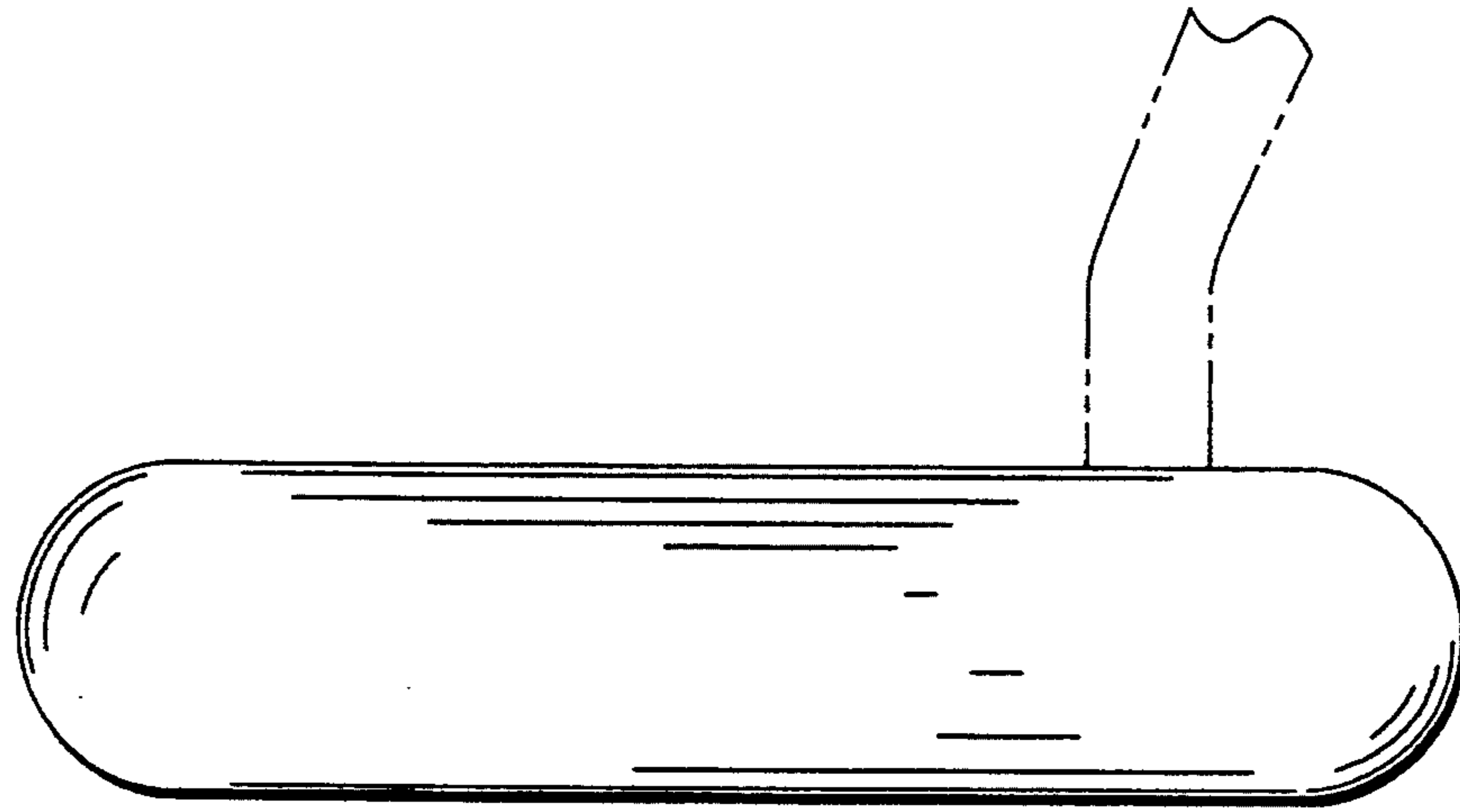


FIG 6

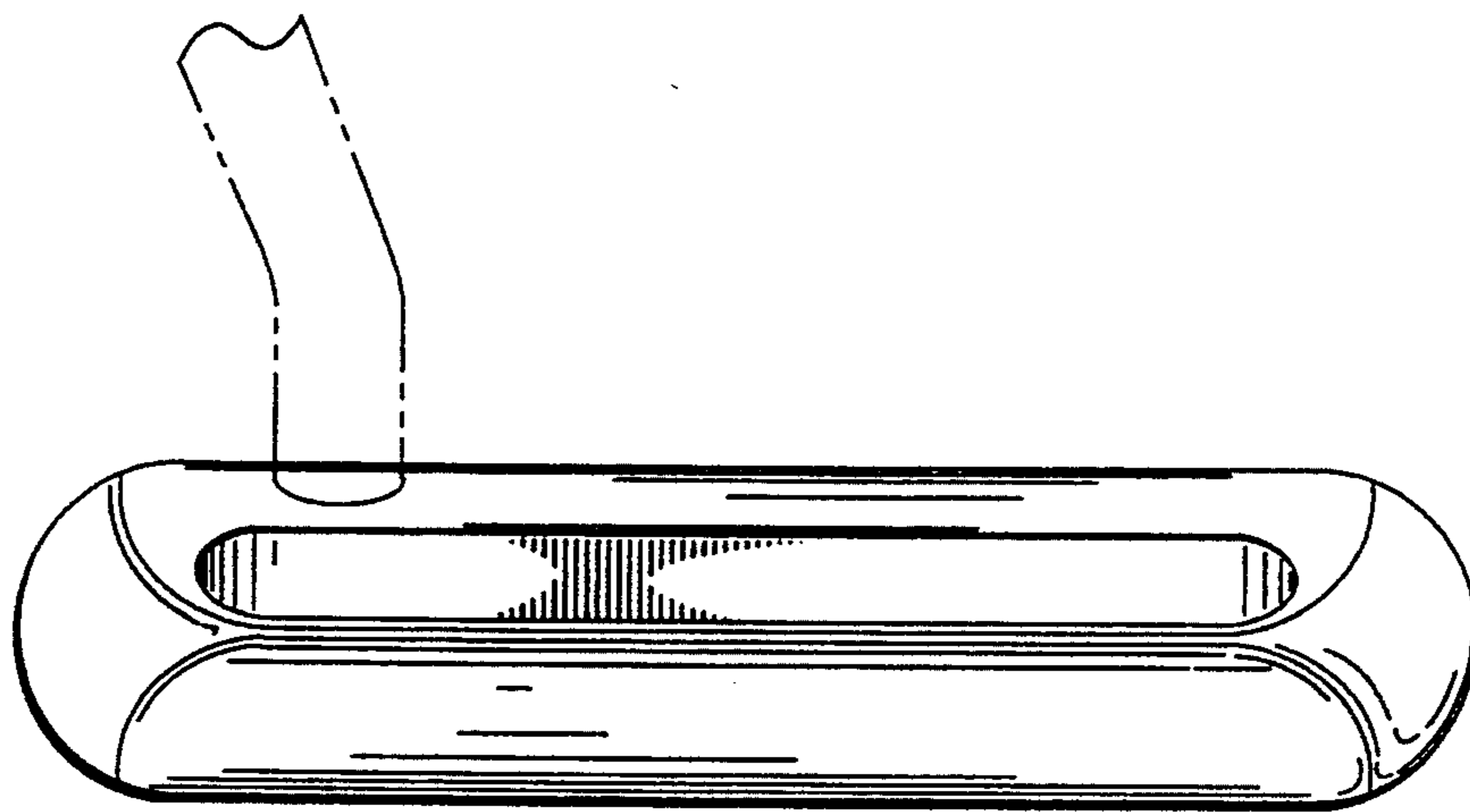


FIG 7