



US00D350993S

United States Patent [19] Black

[11] Patent Number: **Des. 350,993**

[45] Date of Patent: **** Sep. 27, 1994**

[54] **ELECTRONIC ACTIVITY CENTER**

[76] Inventor: **Steven P. Black**, 505 4th Ave., South
Souix City, Nebr. 68776

[**] Term: **14 Years**

[21] Appl. No.: **903,185**

[22] Filed: **Jun. 25, 1992**

[52] U.S. Cl. **D21/59; D21/112;
D21/113**

[58] Field of Search 446/97, 118, 124;
434/259, 260, 258; D14/124, 160-168,
188-190, 192-198, 217, 257, 260, 299; D21/63,
59, 111, 112, 113

[56] **References Cited**

U.S. PATENT DOCUMENTS

D. 209,601 12/1967 Swimmer et al. D21/111
D. 249,490 9/1978 Taylor et al. D21/113
D. 266,682 10/1982 Airlie D21/59

D. 318,668 7/1991 Hervatin D14/188 X
D. 321,384 11/1991 Cheung et al. D21/59 X
D. 333,060 2/1993 Perego D21/59 X
3,881,274 5/1975 Kanda .
4,136,480 1/1979 Fabricant 446/96
4,897,066 1/1990 Tapdrup 446/97

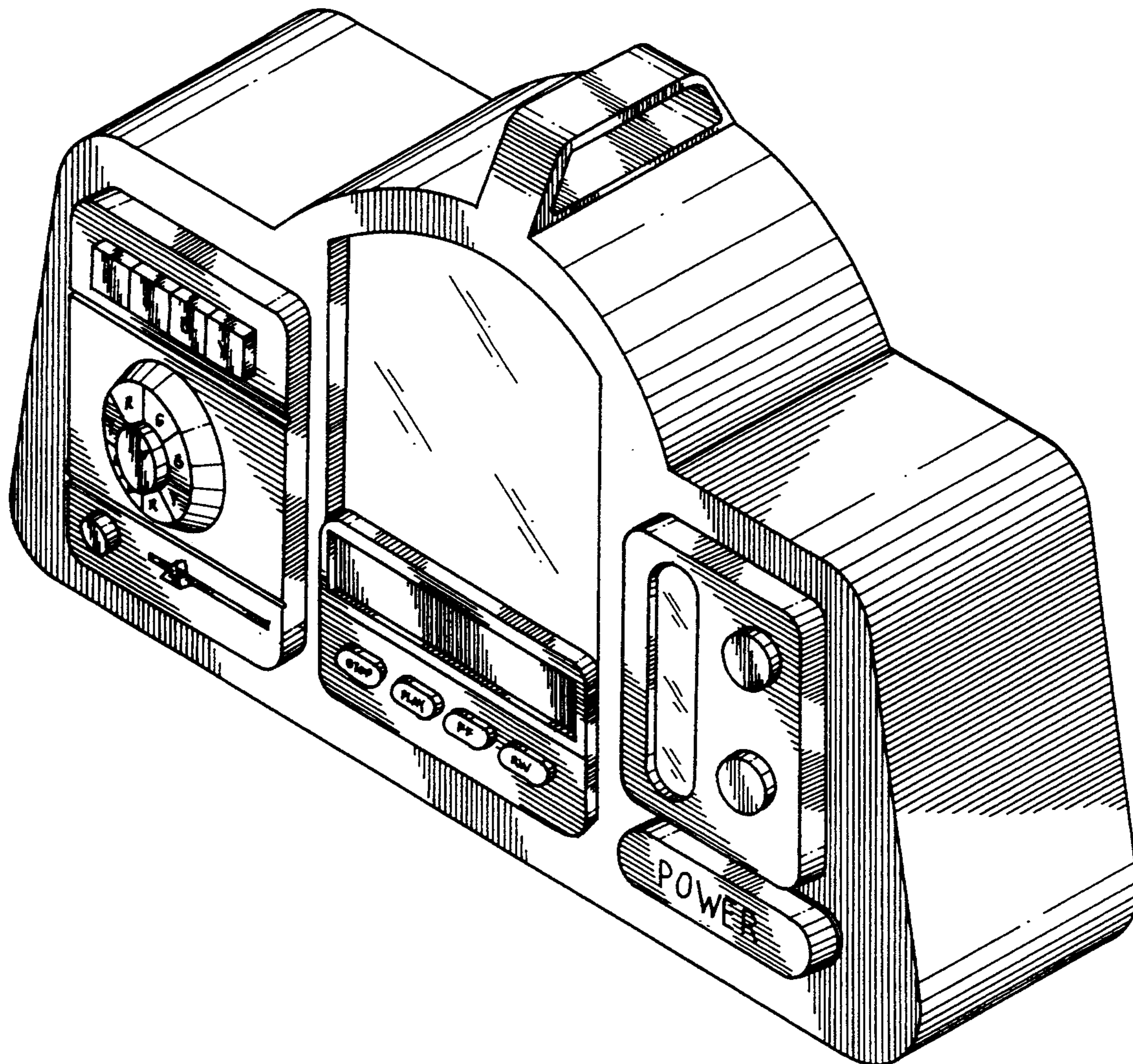
Primary Examiner—Theodore M. Shooman
Attorney, Agent, or Firm—Terry M. Gernstein

[57] CLAIM

The ornamental design for a electronic activity center,
as shown and described.

DESCRIPTION

FIG. 1 is a perspective view of the electronic activity center embodying the design of the present invention; FIG. 2 is a front elevational view thereof; FIG. 3 is a rear elevational view thereof; FIG. 4 is a side elevational view thereof; FIG. 5 is a side elevational view thereof; FIG. 6 is a top plan view thereof; and, FIG. 7 is a bottom view thereof.



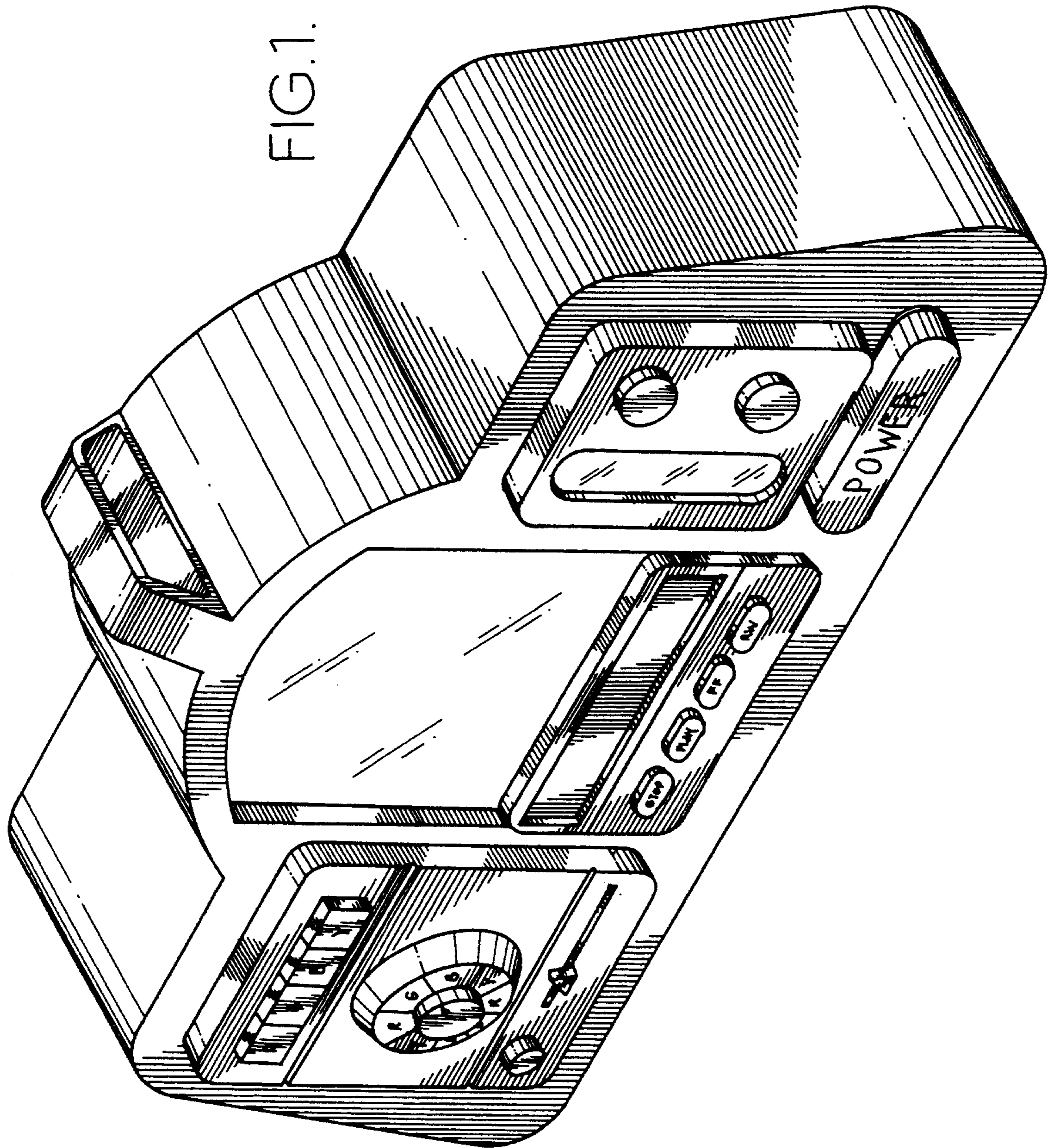


FIG. 4.

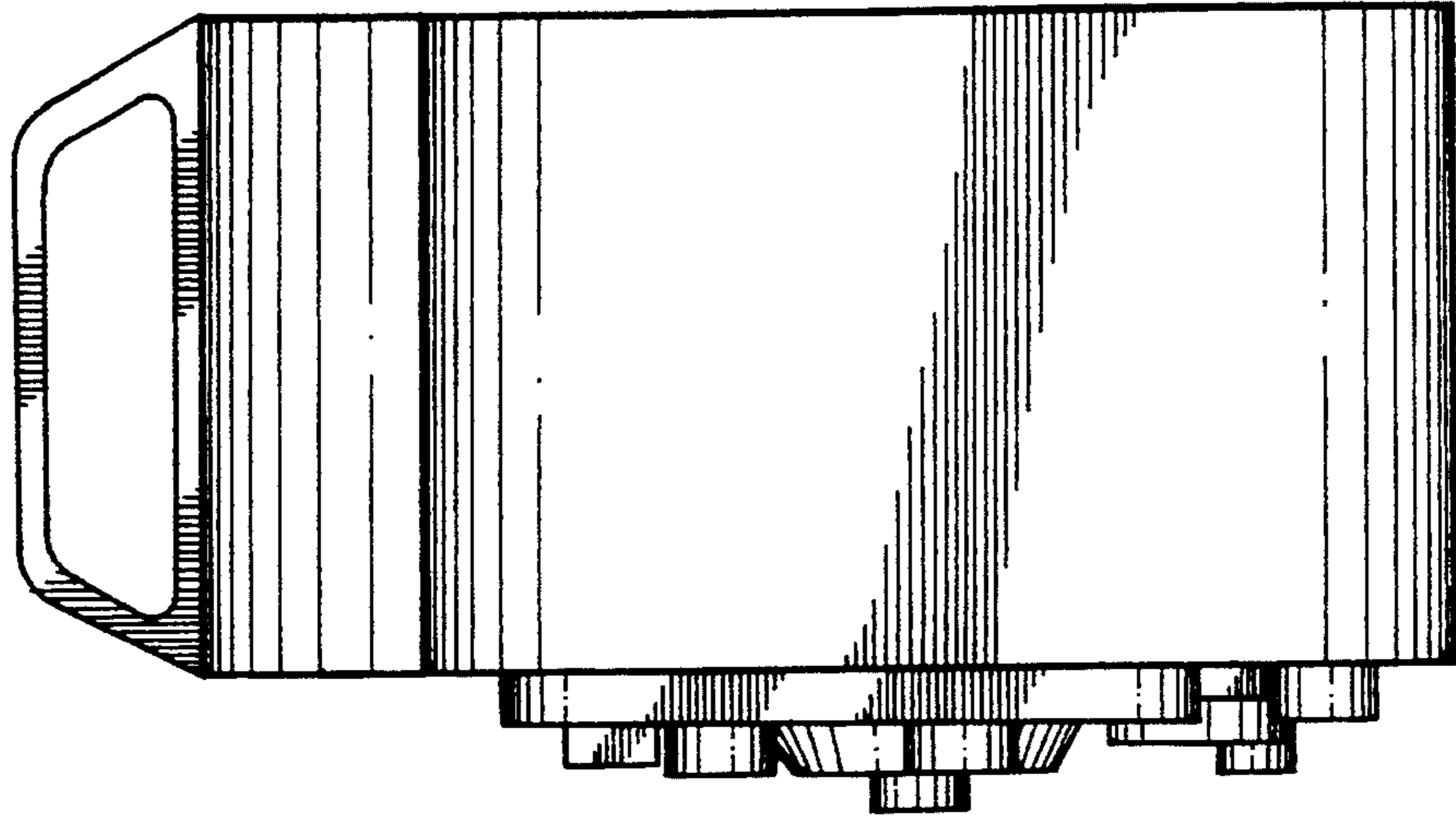


FIG. 2.

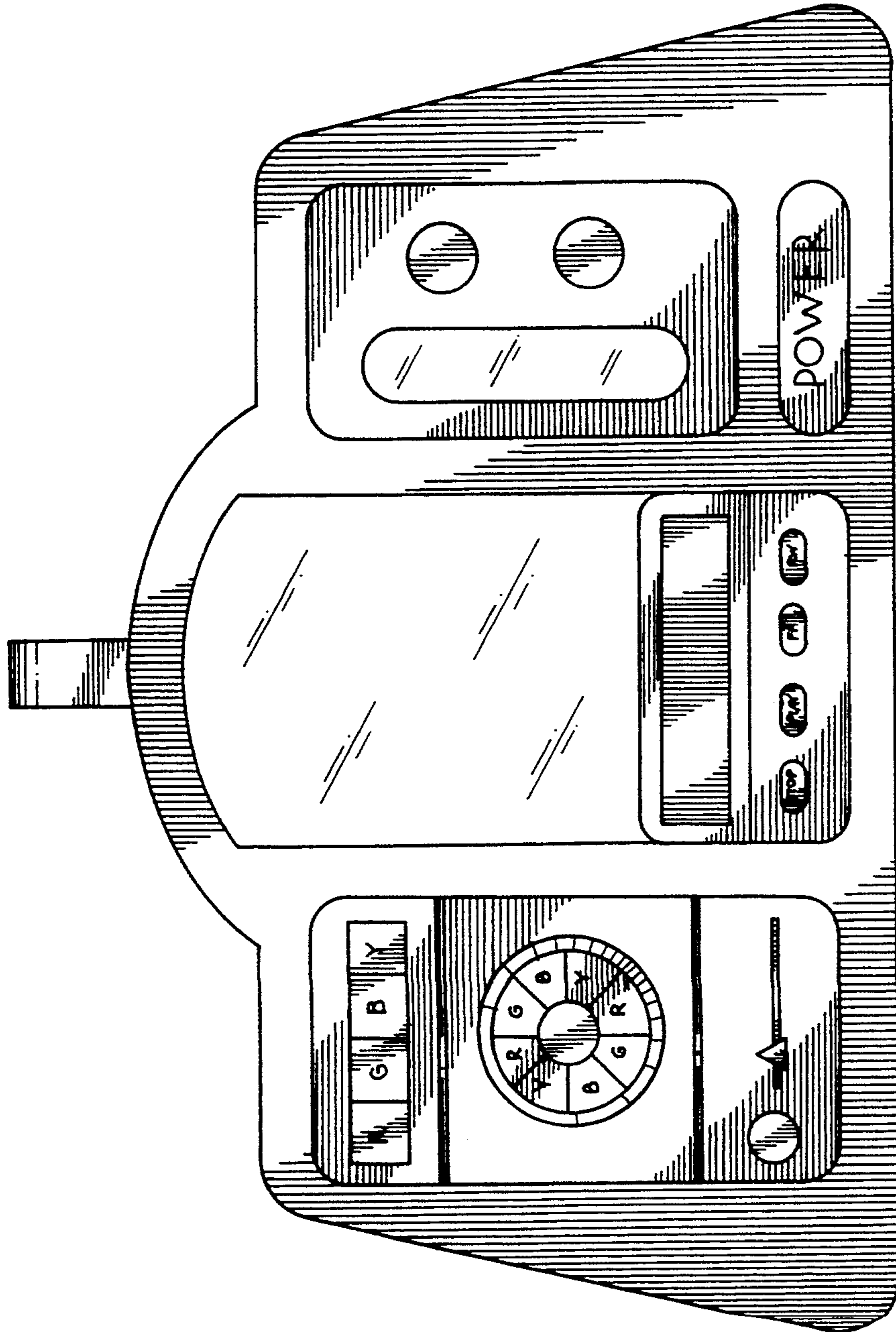


FIG. 5.

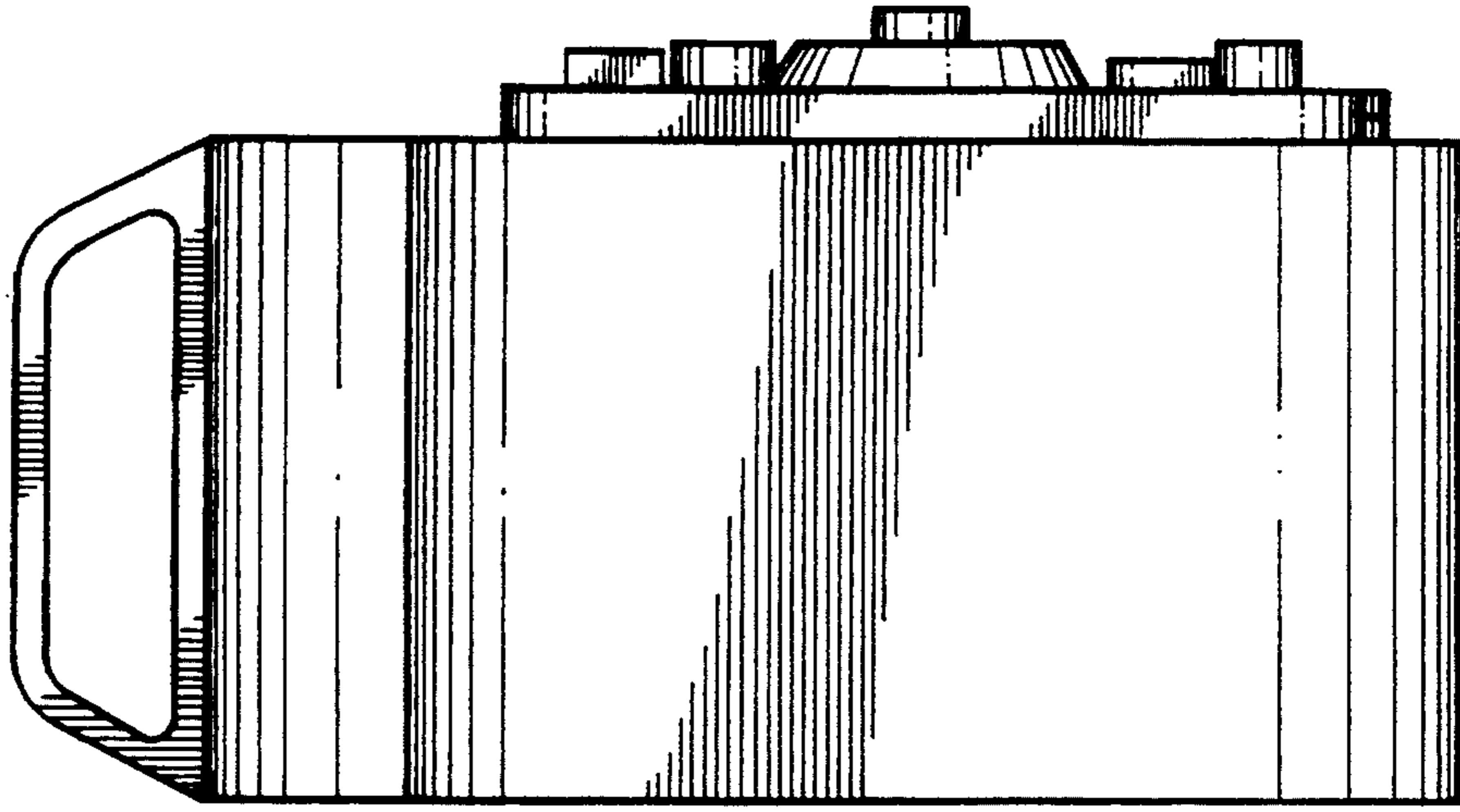
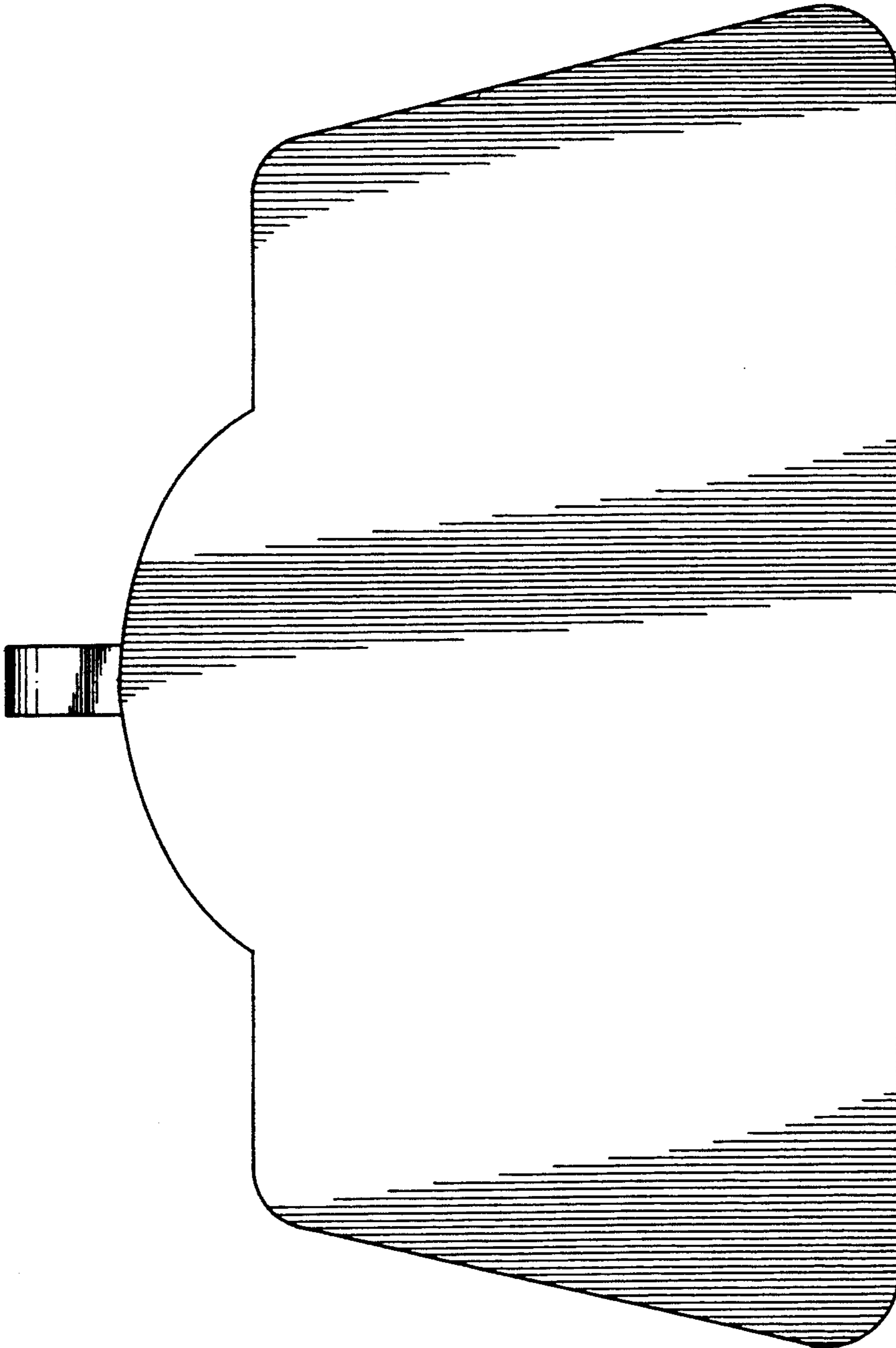


FIG. 3.



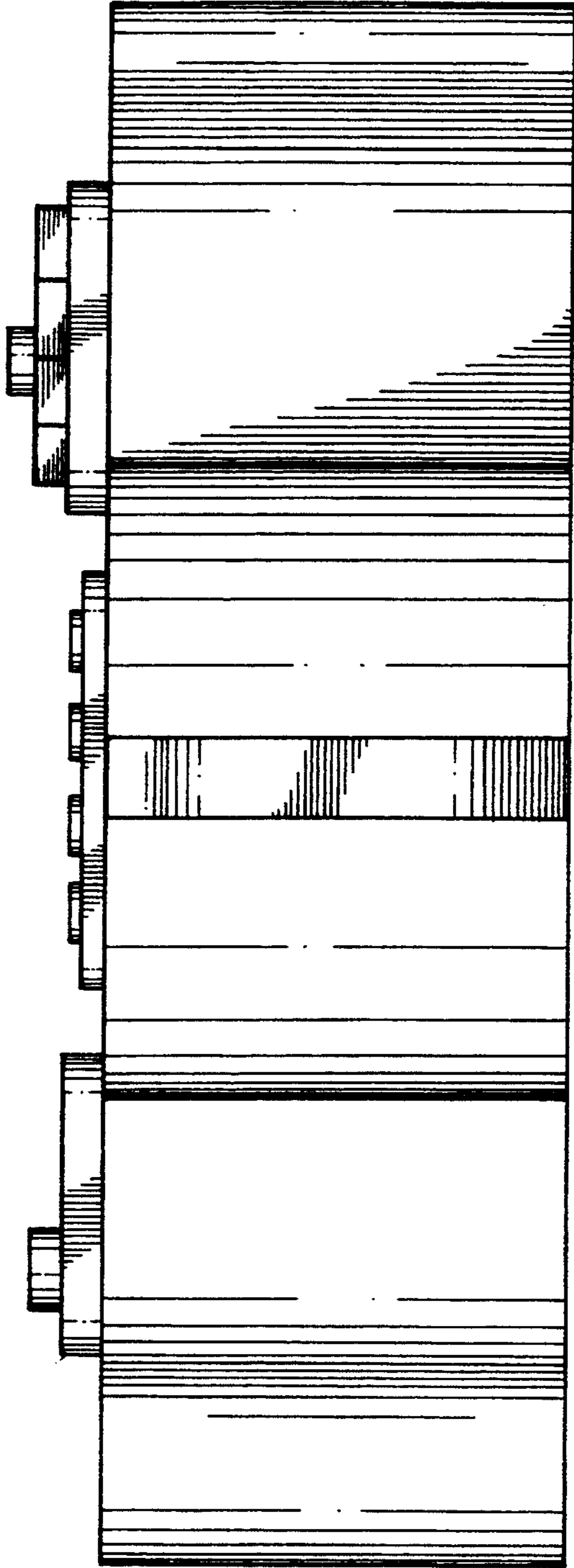


FIG. 6.

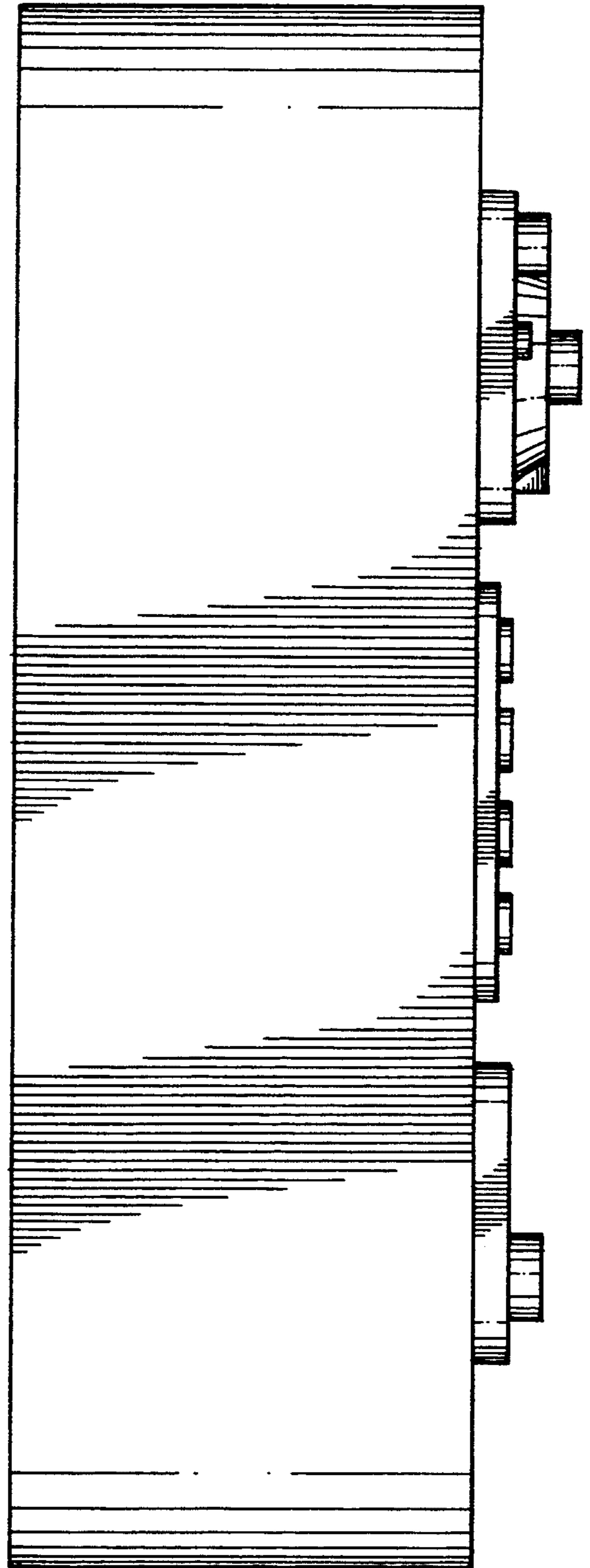


FIG. 7.