



US00D350992S

United States Patent [19]

[11] Patent Number: Des. 350,992

Barr

[45] Date of Patent: ** Sep. 27, 1994

- [54] ELECTRONIC GAME HOUSING
- [75] Inventor: Lance Barr, Renton, Wash.
- [73] Assignee: Nintendo Co. Ltd., Kyoto, Japan
- [**] Term: 14 Years
- [21] Appl. No.: 8,633
- [22] Filed: May 24, 1993
- [52] U.S. Cl. D21/48; D21/13
- [58] Field of Search 273/148 B, 433-438, 273/DIG. 28; D21/13, 48, 1; D14/124, 125, 126, 217, 114; D13/118, 158, 162

[56] **References Cited**

U.S. PATENT DOCUMENTS

D. 262,044	11/1981	Montague	D21/13
D. 271,891	12/1983	Renteria	D21/13
D. 299,726	2/1989	Yukawa	.	
D. 315,577	3/1991	Wang	D21/48
D. 321,377	11/1991	Ko	D21/13
D. 324,548	3/1992	Ashida	.	
D. 333,686	3/1993	Barr et al.	.	
4,285,517	8/1981	Morrison	273/433 X
4,658,666	4/1987	Liu	273/148 B X

OTHER PUBLICATIONS

Playthings, Apr. 1981, p. 41, shown by arrow.
Melody Maker 1989, p. 6, Item #80-1072.

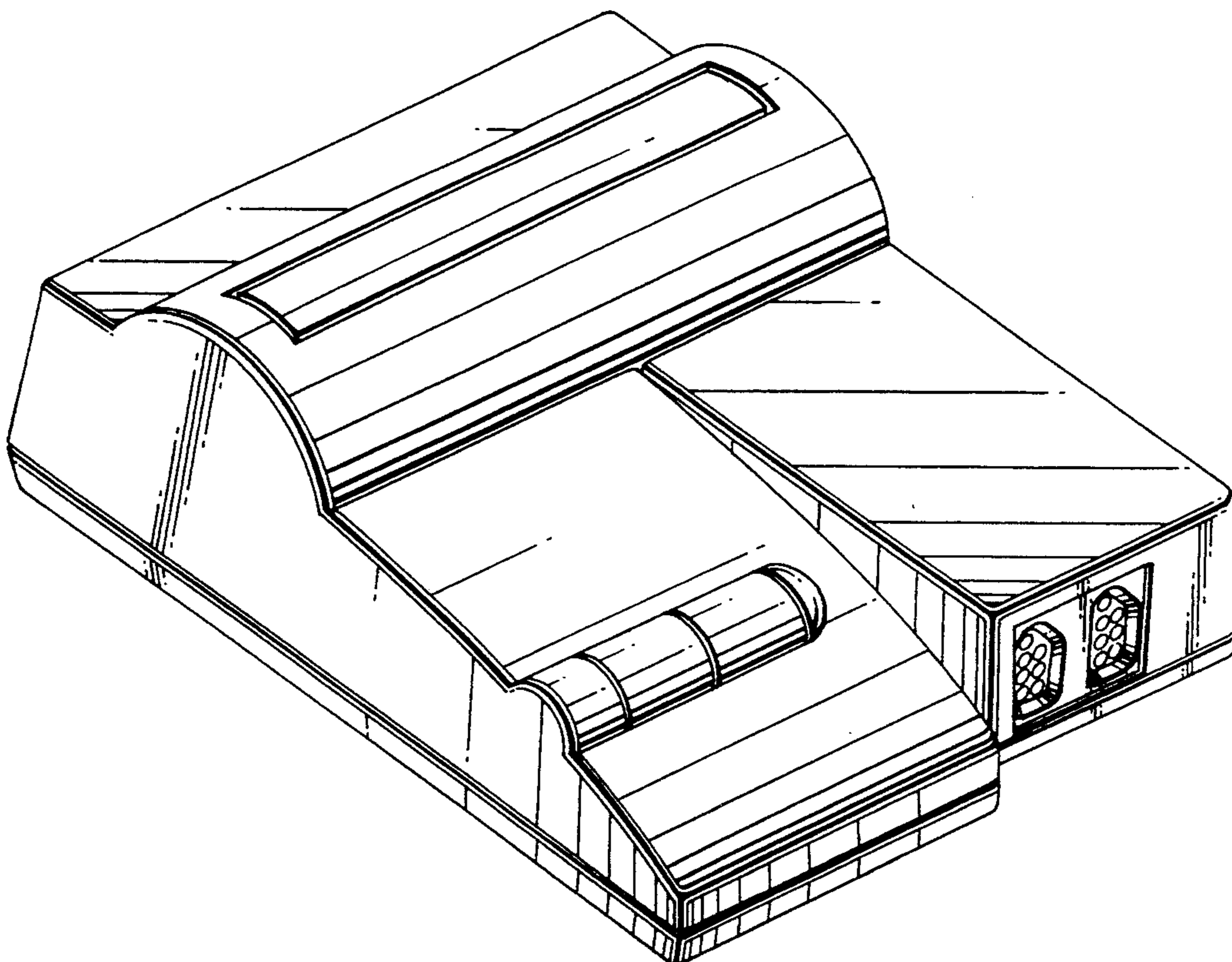
Primary Examiner—Prabhakar G. Deshmukh
Attorney, Agent, or Firm—Nixon & Vanderhye

[57] **CLAIM**

The ornamental design for a electronic game housing, as shown and described.

DESCRIPTION

FIG. 1 is a front, top and left side perspective view of a electronic game housing showing my new design; FIG. 2 is a rear, bottom and right side perspective view thereof; FIG. 3 is a front elevational view thereof; FIG. 4 is a rear elevational view thereof; FIG. 5 is a right side elevational view thereof; FIG. 6 is a left side elevational view thereof; FIG. 7 is a top plan view thereof; FIG. 8 is a bottom view thereof; FIG. 9 is a front, top and left side perspective view of a second embodiment of a electronic game housing illustrated in FIG. 1; FIG. 10 is a rear, bottom and right side perspective view of the second embodiment; FIG. 11 is a front elevational view of the second embodiment; FIG. 12 is a rear elevational view of the second embodiment; FIG. 13 is a right side elevational view of the second embodiment; FIG. 14 is a left side elevational view of the second embodiment; FIG. 15 is a top plan view of the second embodiment; and, FIG. 16 is a bottom view of the second embodiment.



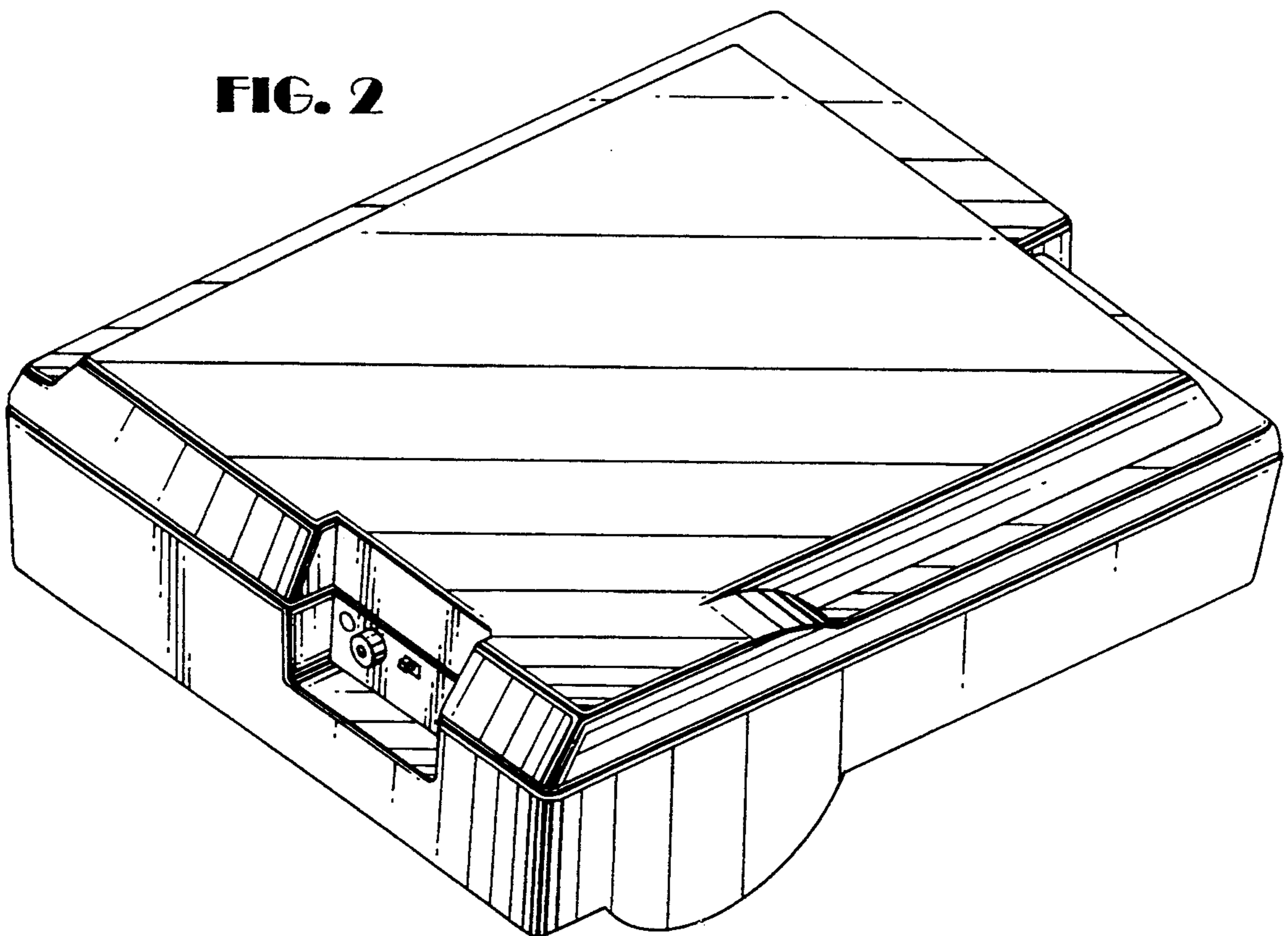
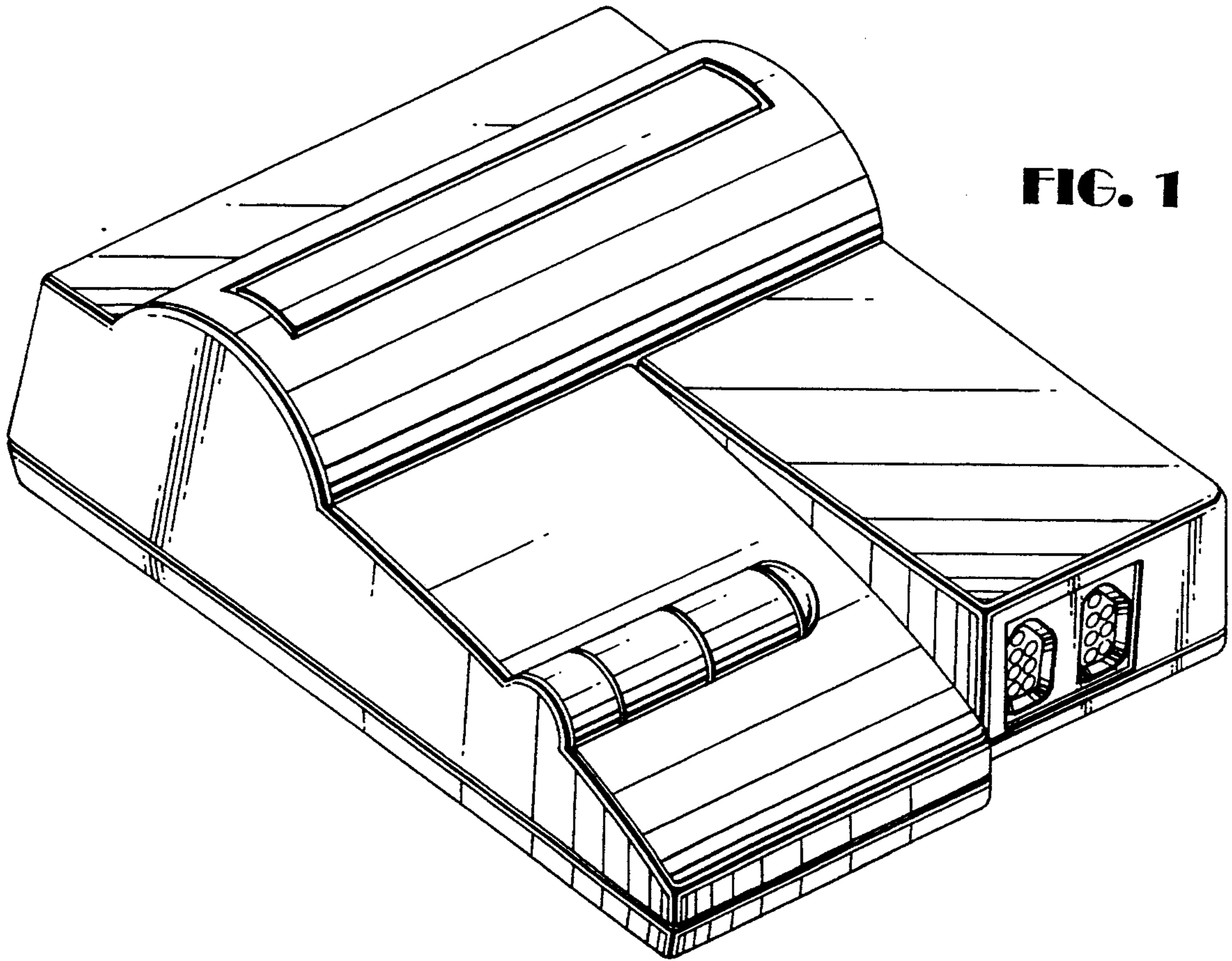


FIG. 3

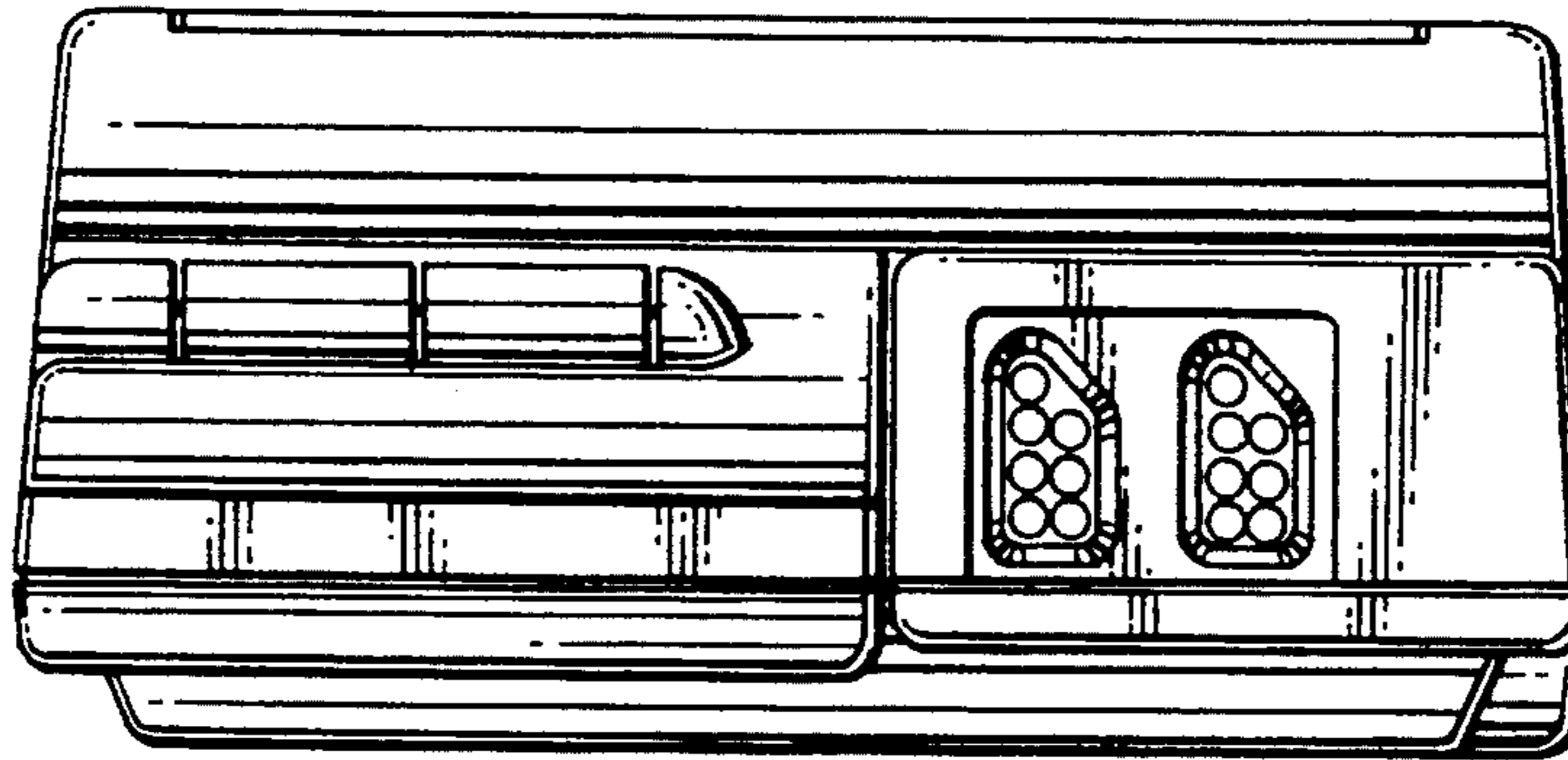


FIG. 4

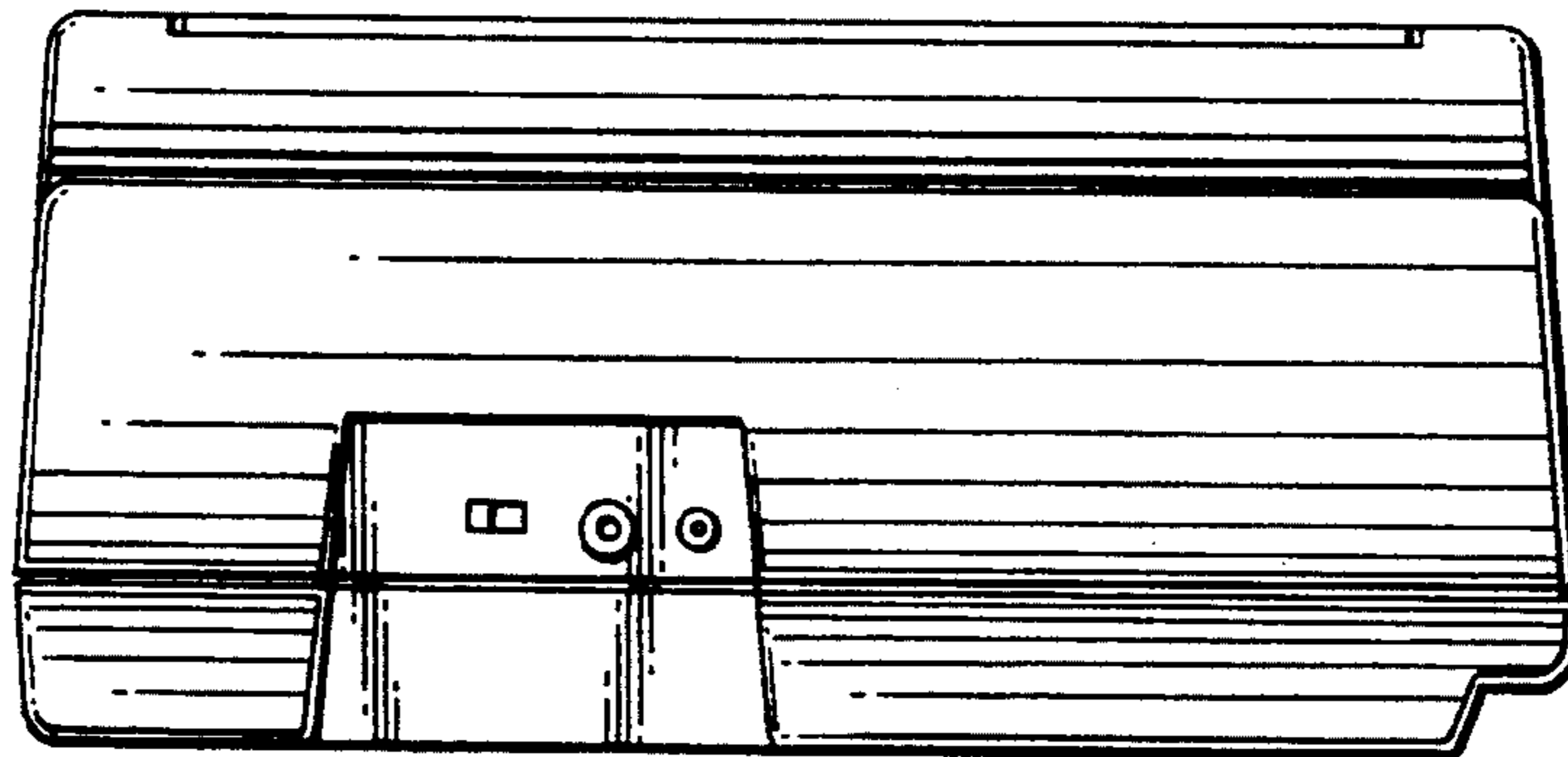


FIG. 5

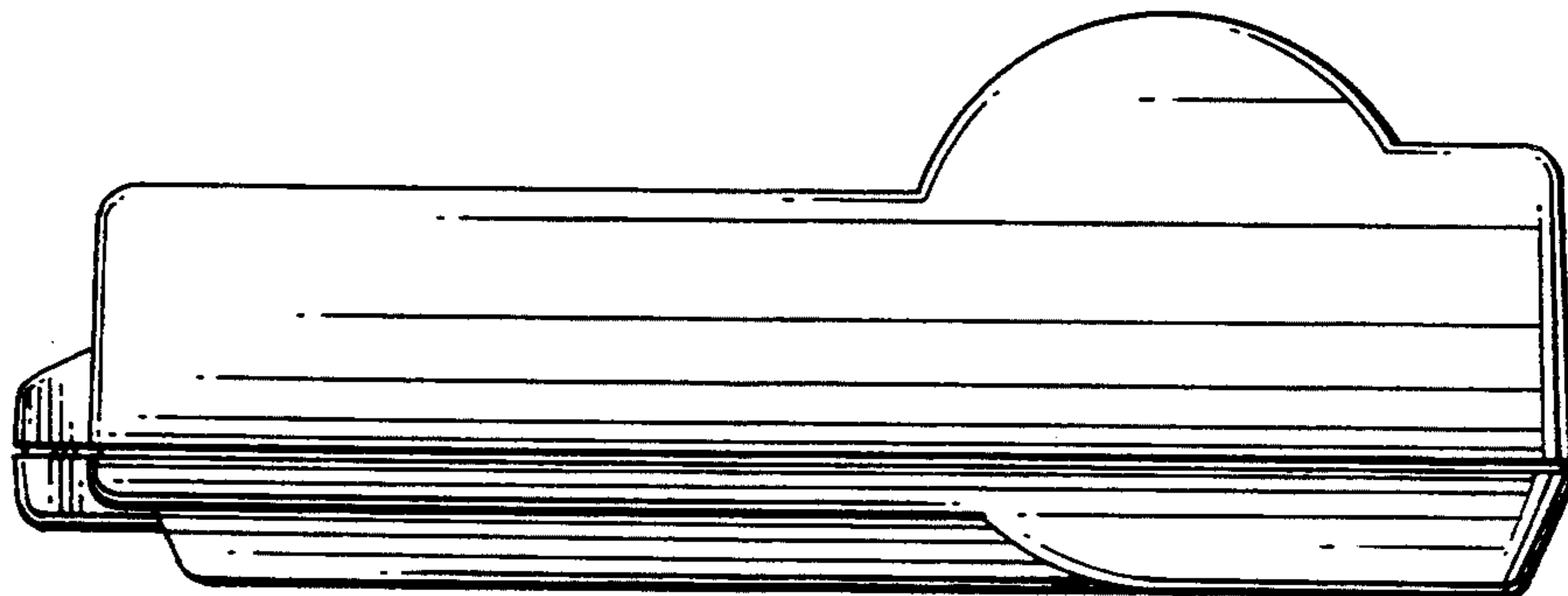


FIG. 6

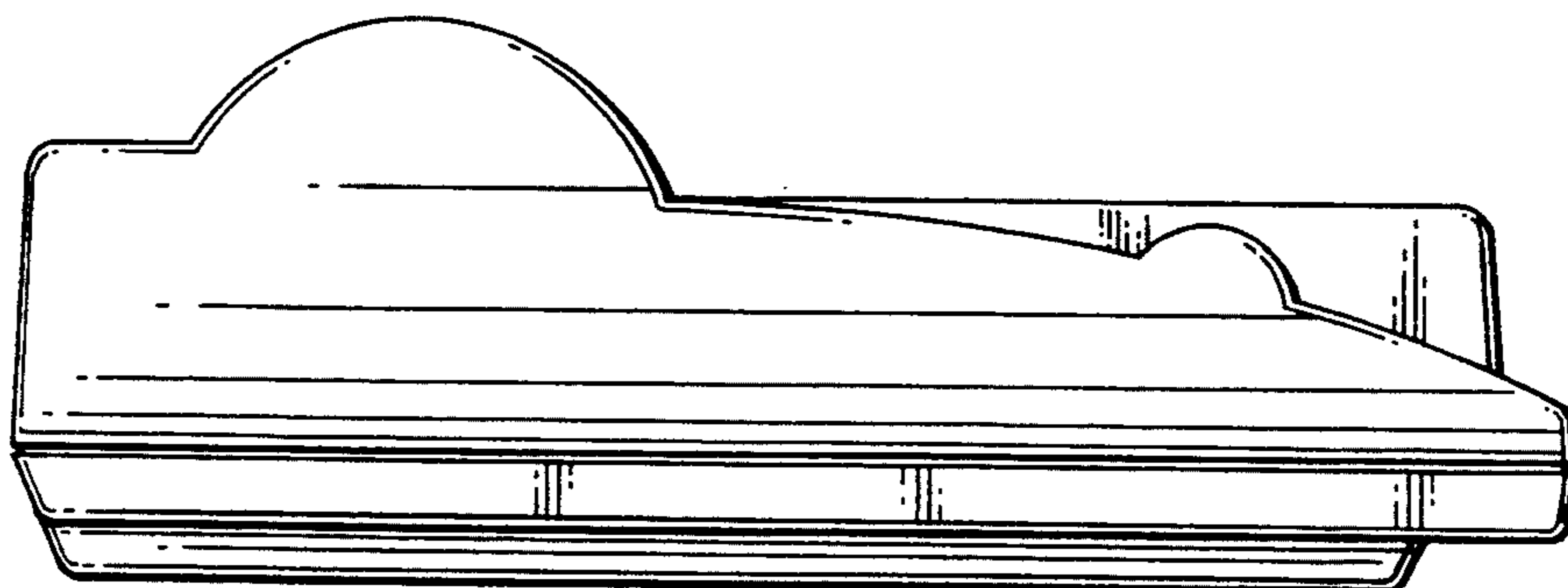


FIG. 8

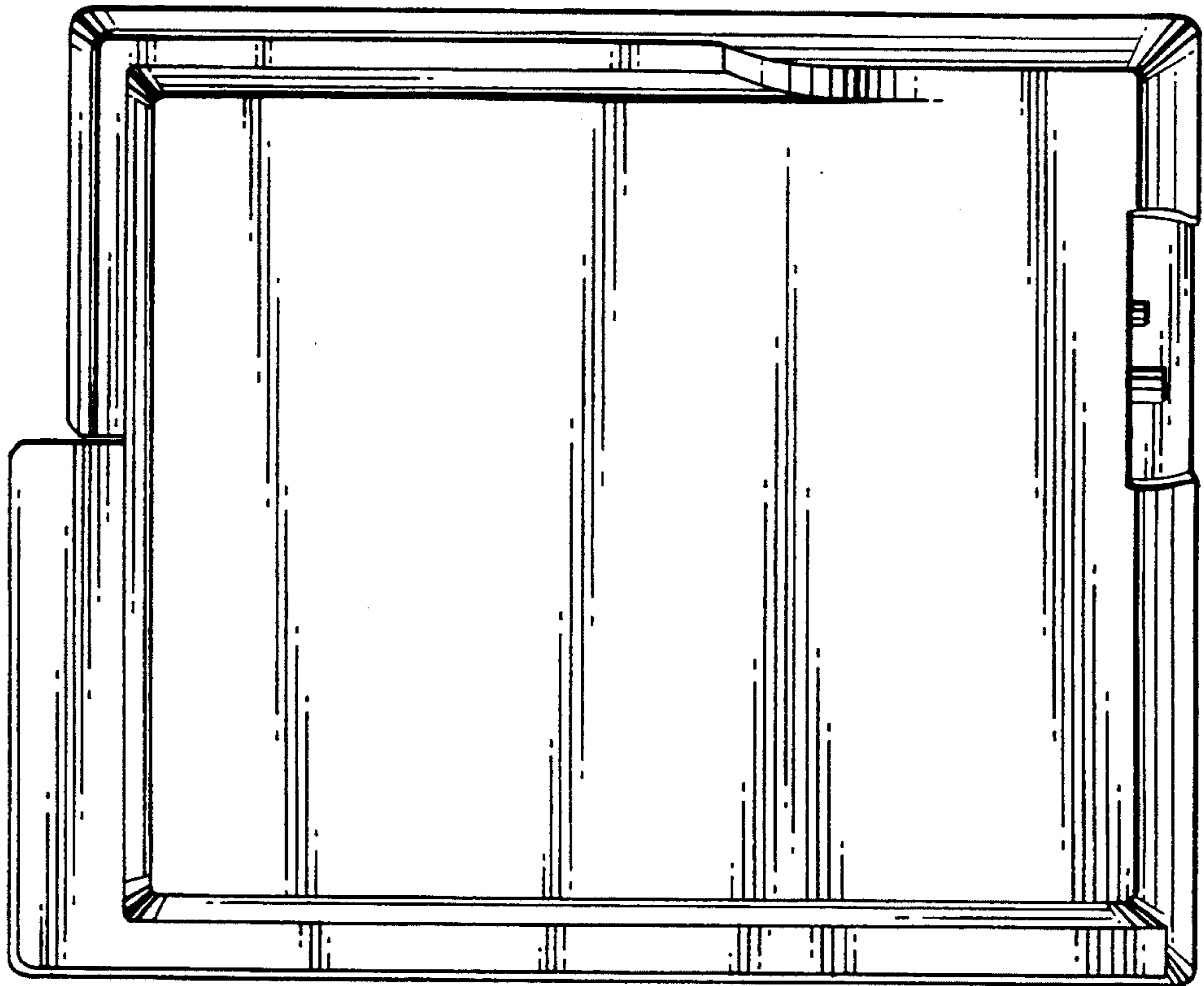
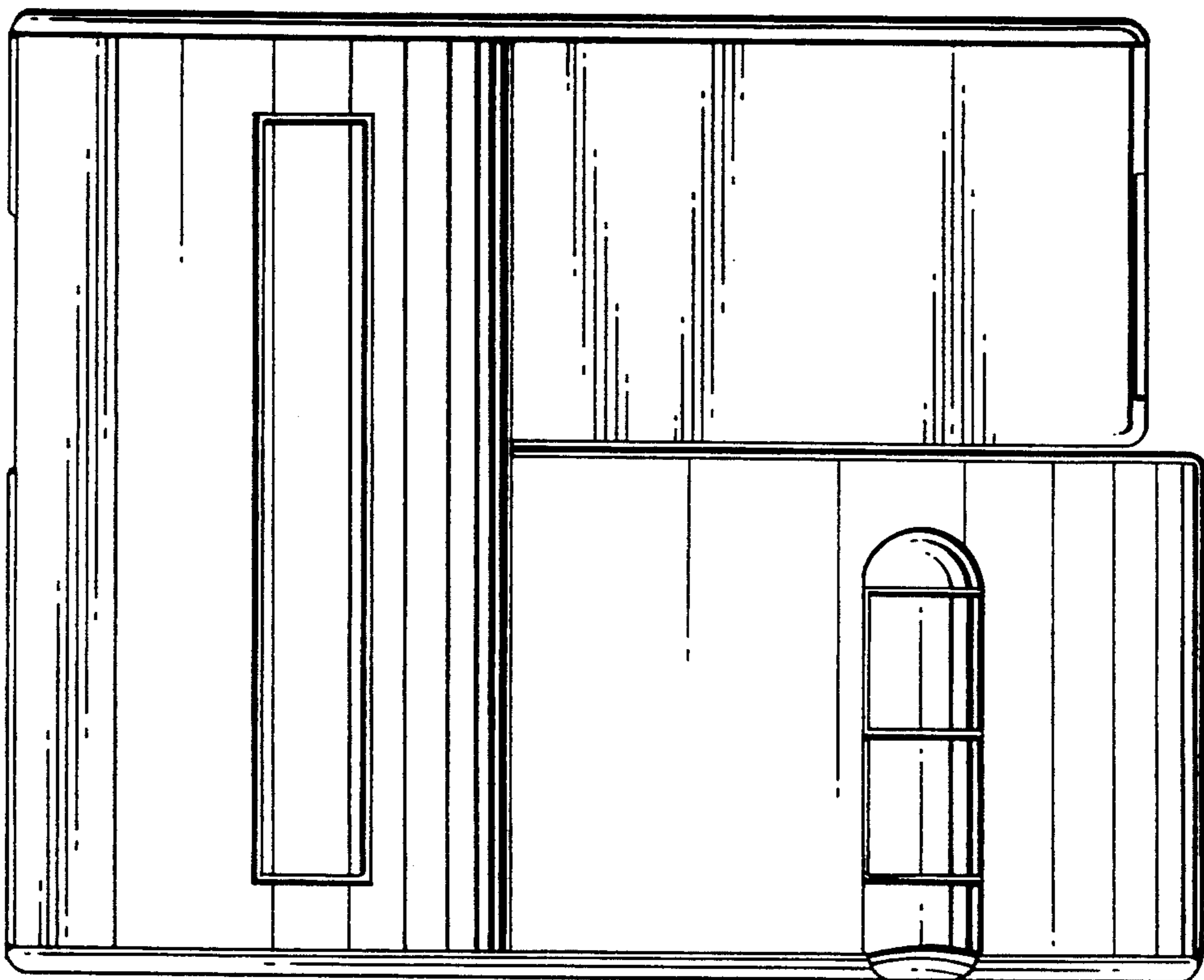


FIG. 7



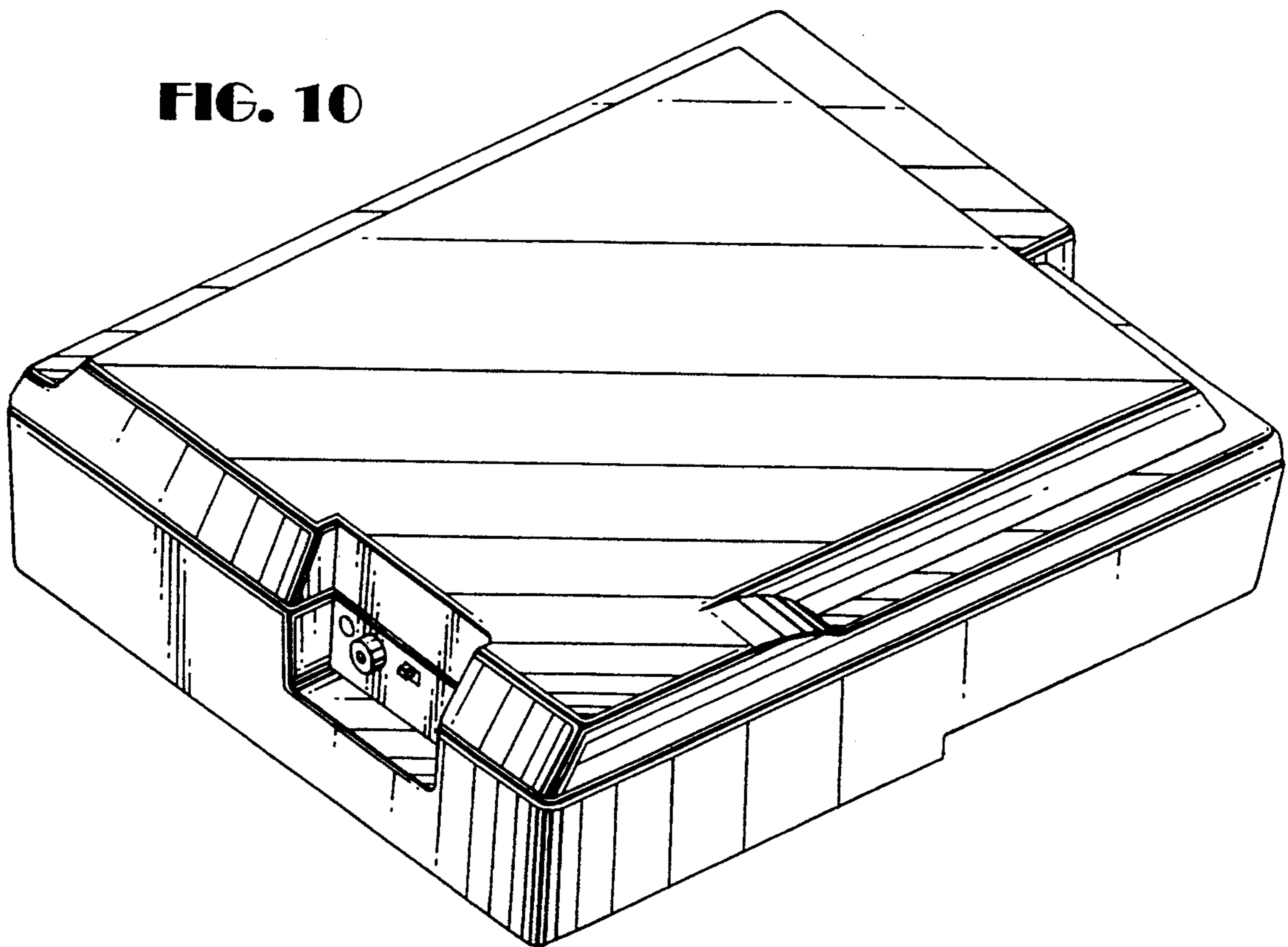
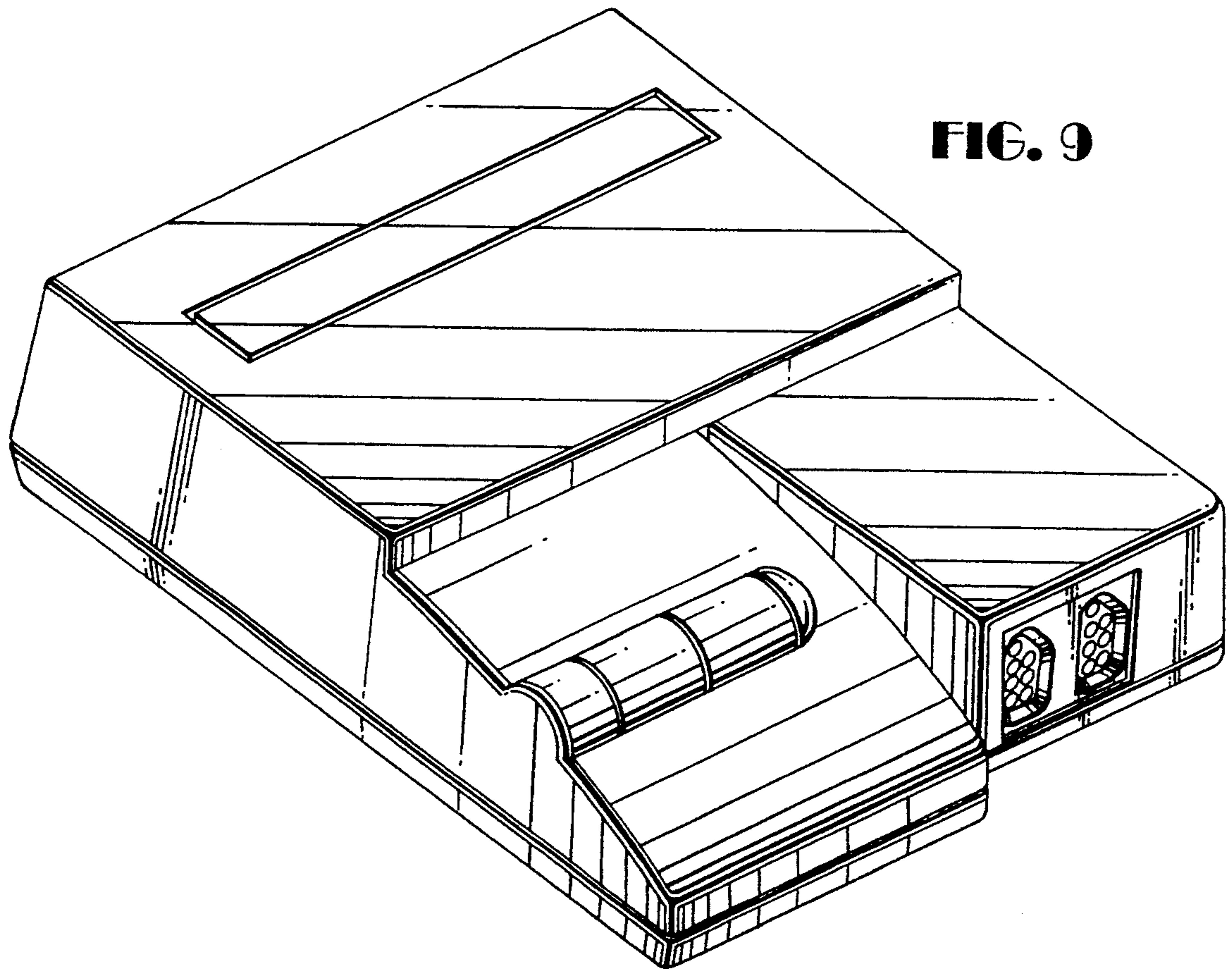


FIG. 11

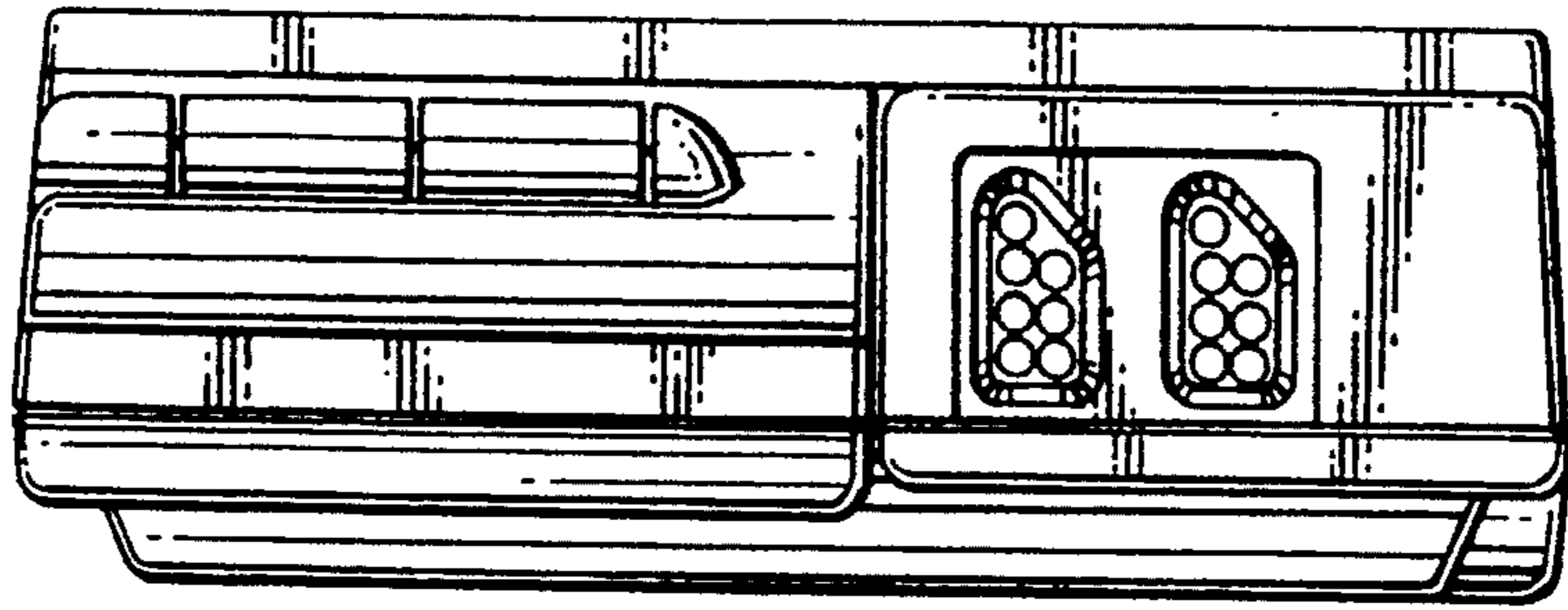


FIG. 12

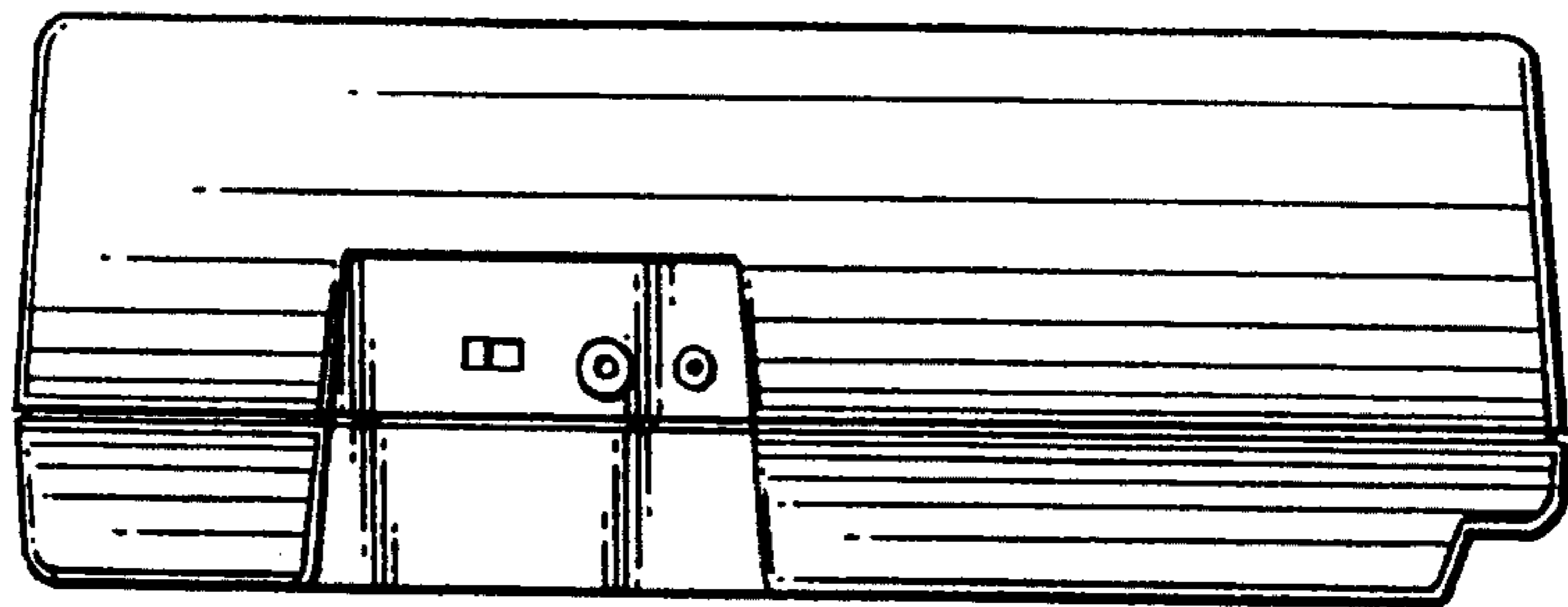


FIG. 13

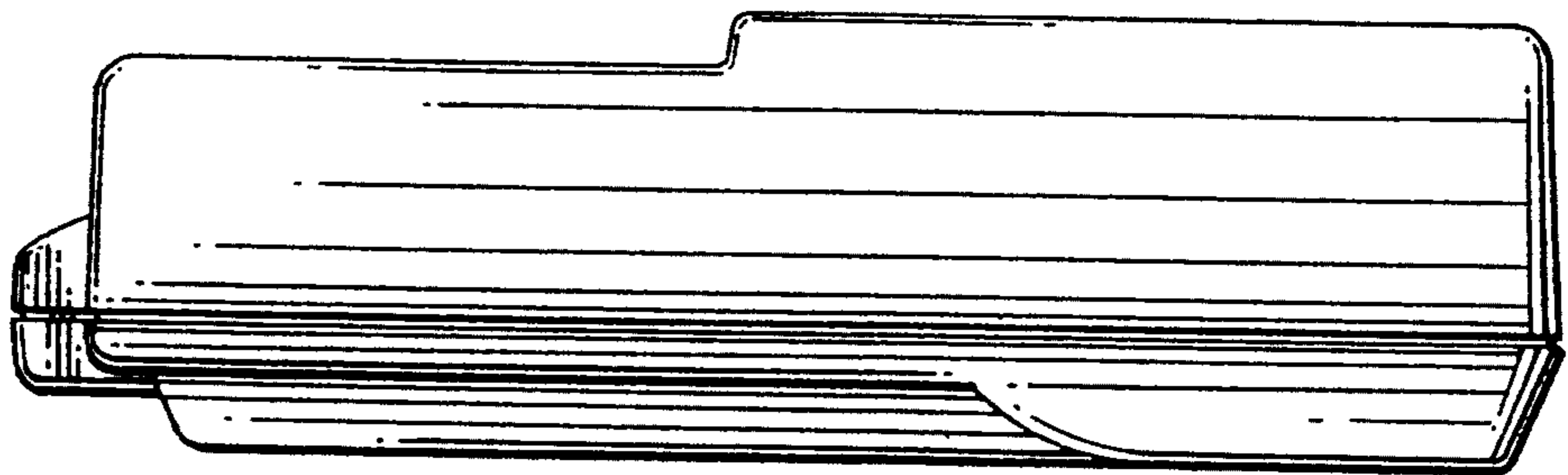


FIG. 14

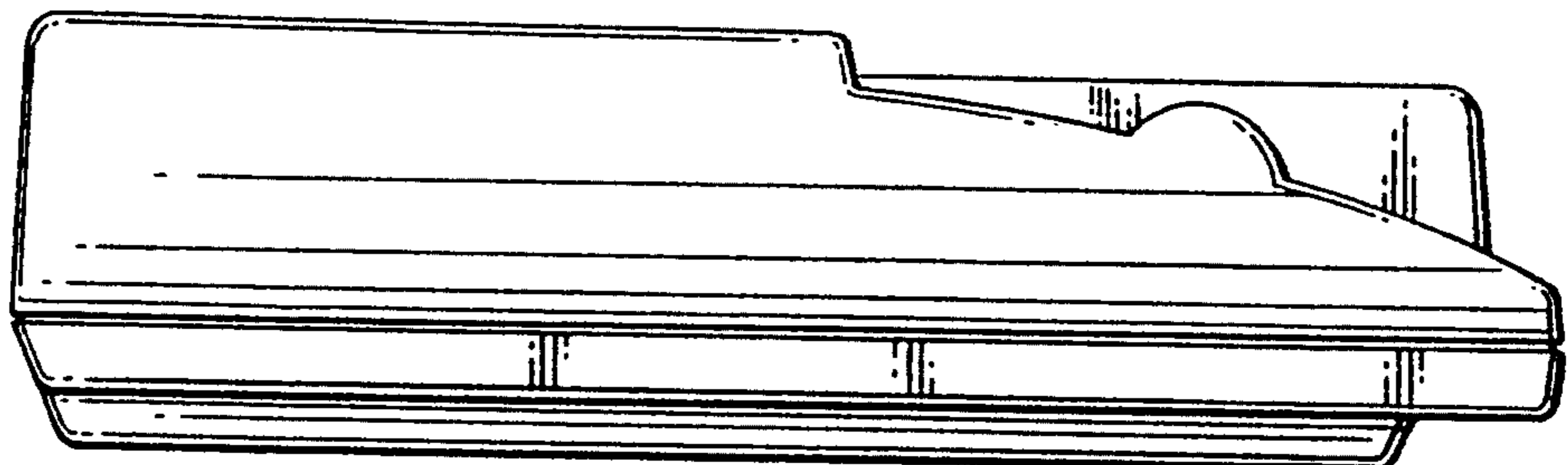


FIG. 16

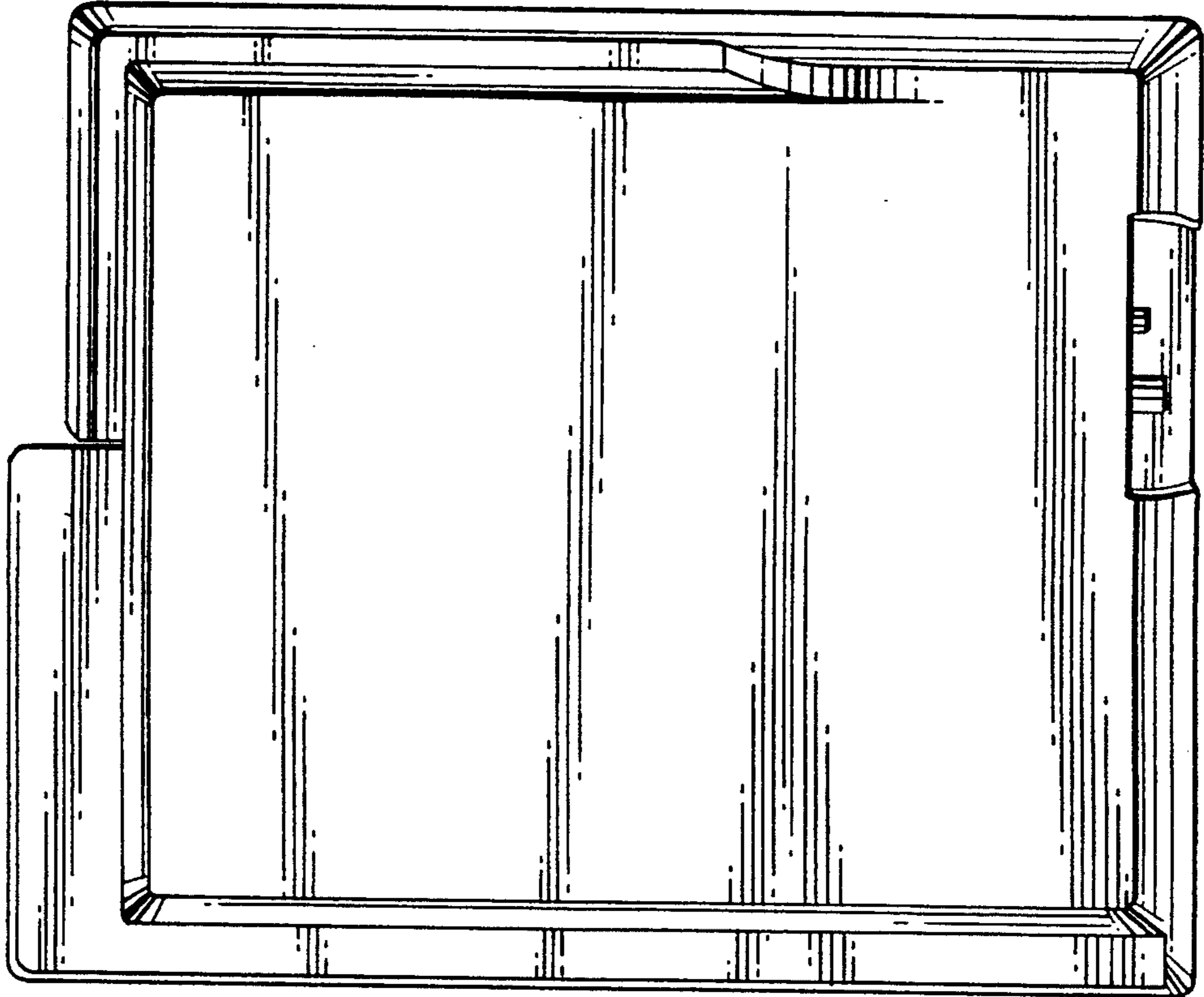


FIG. 15

