



US00D350989S

United States Patent [19]

Lanier

[11] Patent Number: **Des. 350,989**

[45] Date of Patent: **** Sep. 27, 1994**

[54] **MINIATURE GOLF COURSE UNIT**

1,759,156 5/1930 Fish 273/176 F
2,827,299 3/1958 Dean 273/176 F

[76] Inventor: **Philip S. Lanier**, Apt. #6, 175 N. Keats Ave., Louisville, Ky. 40206

Primary Examiner—Melvin B. Feifer
Attorney, Agent, or Firm—Middleton & Reutlinger

[**] Term: **14 Years**

[57] **CLAIM**

[21] Appl. No.: **817,821**

The ornamental design for a miniature golf course unit, as shown and described.

[22] Filed: **Jan. 2, 1992**

[52] U.S. Cl. **D21/11**

DESCRIPTION

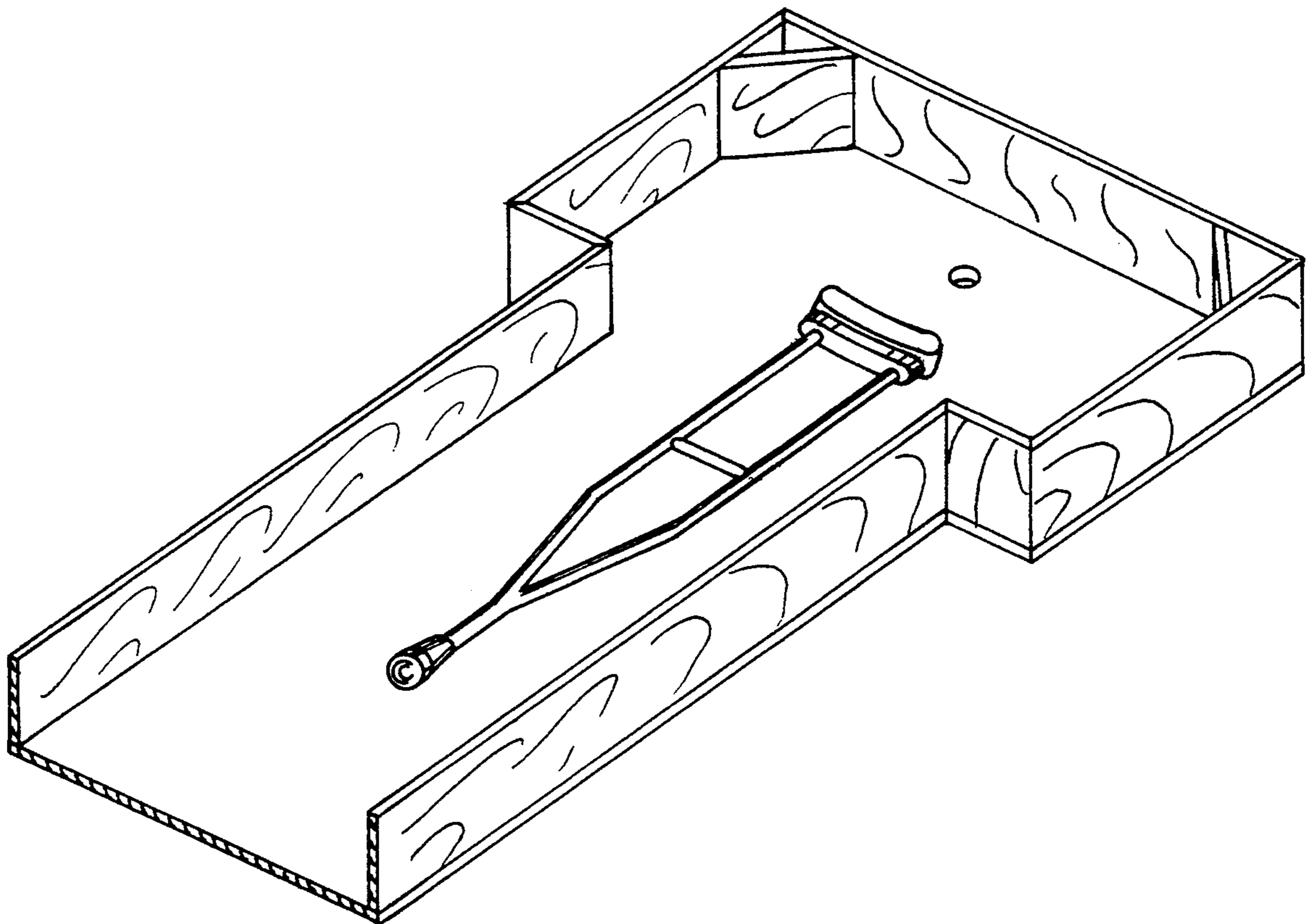
[58] Field of Search 273/176 R, 176 B, 176 E, 273/176 F, 176 G; D21/7, 8, 9, 11

FIG. 1 is a perspective view of a miniature golf course unit showing my new design; FIG. 2 is an end elevation taken from the left of FIG. 1; and, FIG. 3 is a top plan view thereof. The rear and opposite walls not shown in FIG. 1 are unornamented.

[56] **References Cited**

U.S. PATENT DOCUMENTS

D. 83,500 3/1931 Carter D21/11
D. 140,742 4/1945 Aitchison D21/7



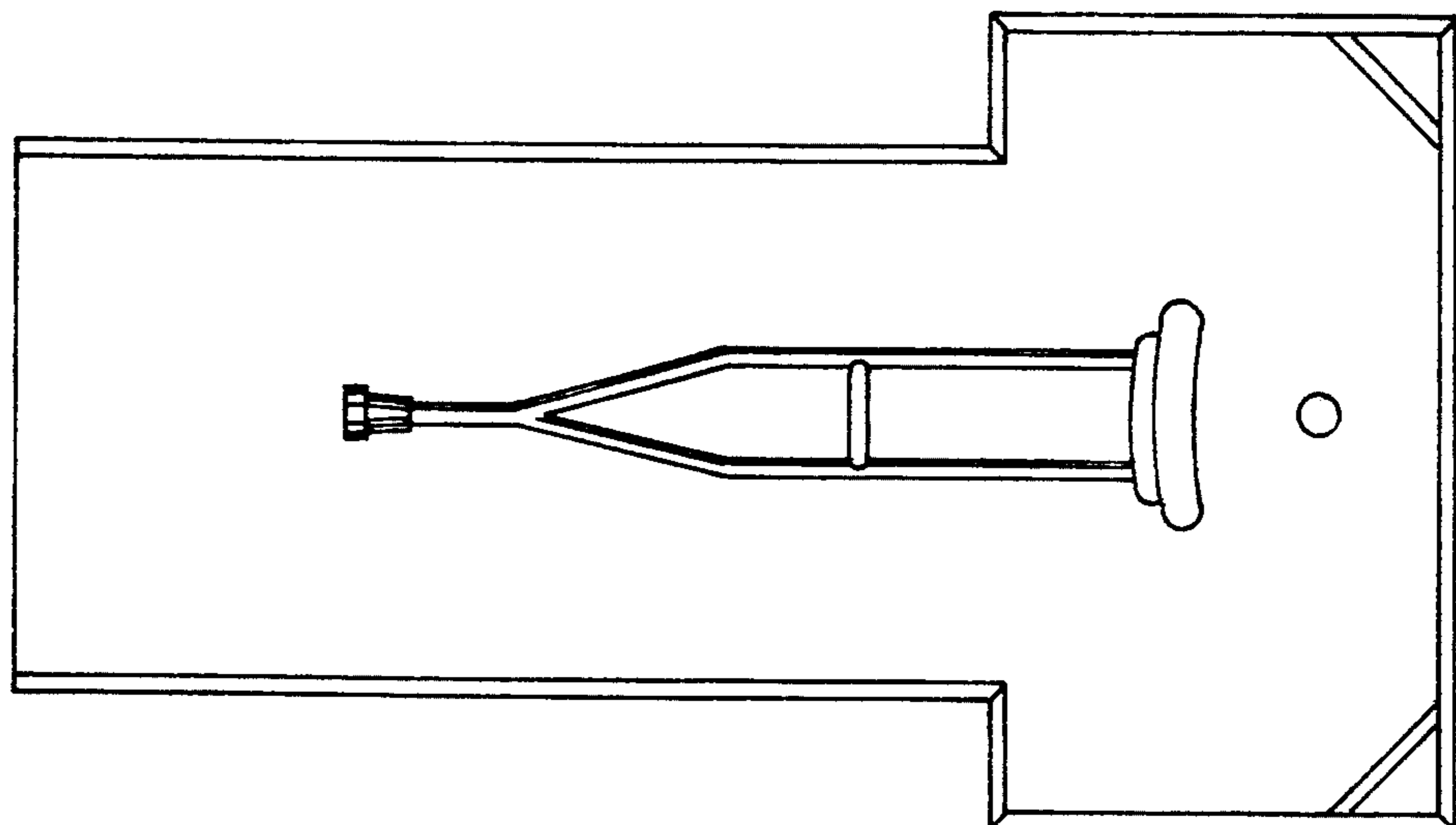
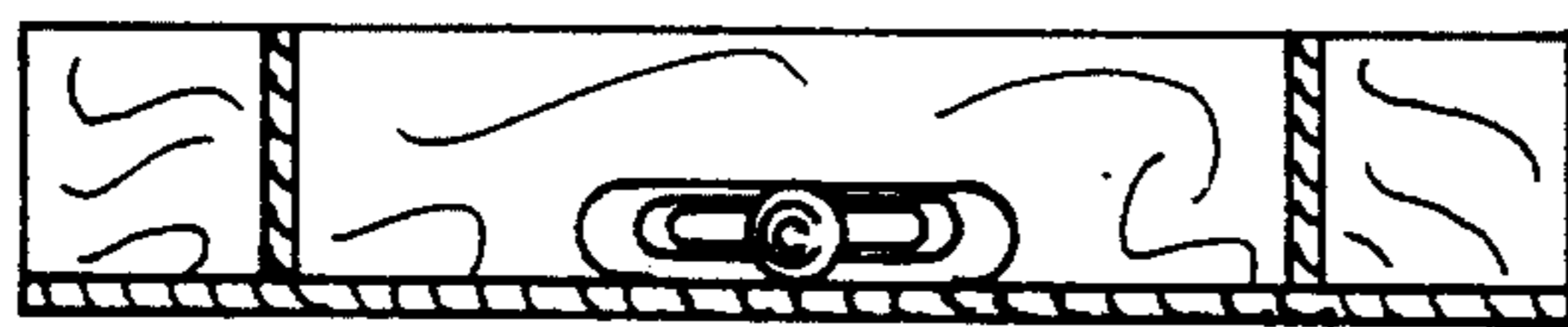
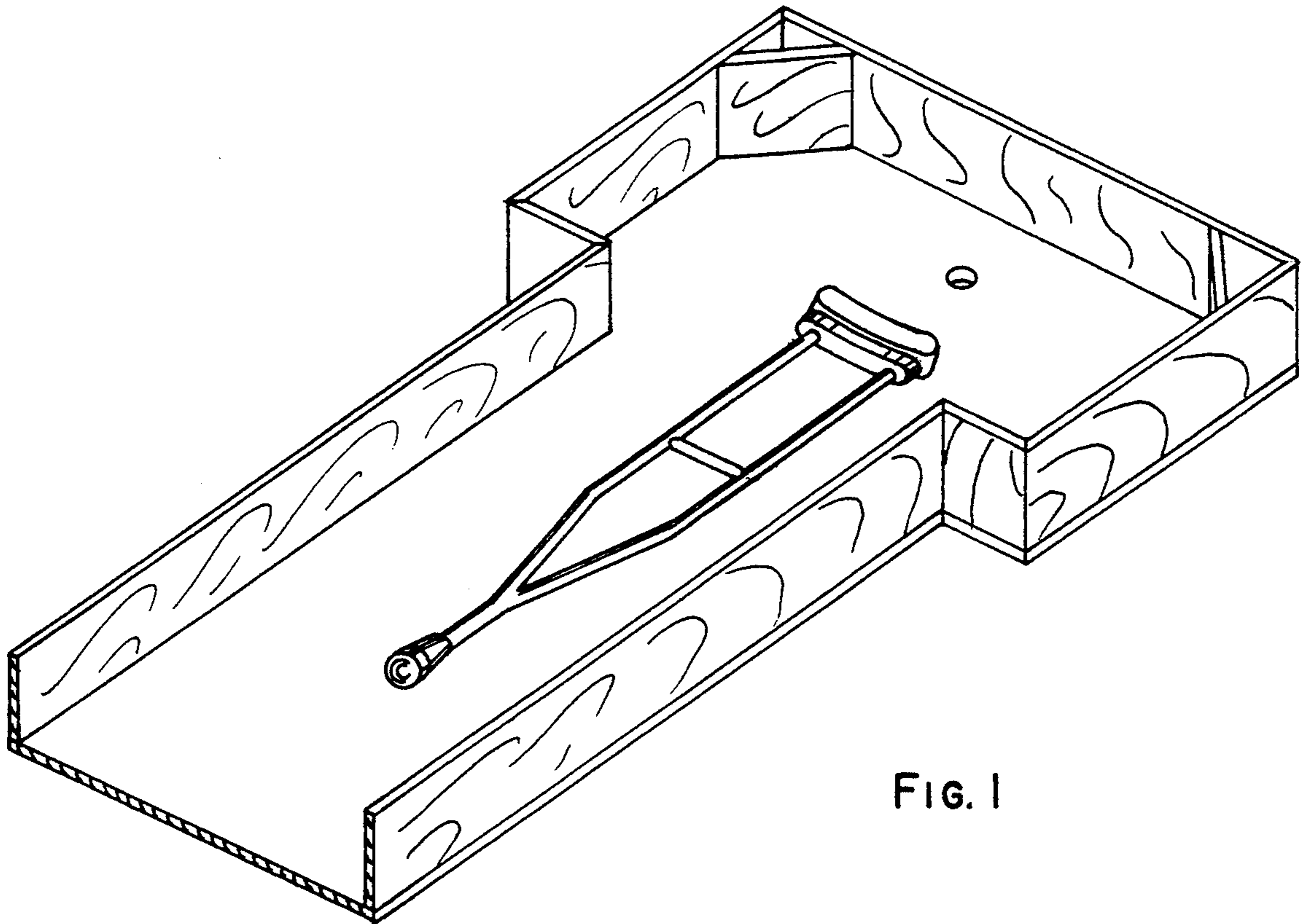


FIG. 3