



US00D350988S

# United States Patent [19] Kravitz

[11] Patent Number: **Des. 350,988**  
[45] Date of Patent: **\*\* Sep. 27, 1994**

[54] **FOLDED TAG FOR EYEGLASSES**  
[76] Inventor: **Jeffrey L. Kravitz**, 280 Park Ave. S.,  
New York, N.Y. 10010  
[\*\*] Term: **14 Years**  
[21] Appl. No.: **14,988**  
[22] Filed: **Nov. 8, 1993**  
[52] U.S. Cl. .... **D20/22**  
[58] Field of Search ..... **D6/315; 40/1, 124, 124.1,**  
**40/124.2, 124.4, 316, 299, 334, 359, 649, 658;**  
**D20/10, 22, 23, 27, 28, 40, 41, 42, 43**

4,285,477 8/1981 Oxendahl et al. .  
4,596,365 6/1986 Wang .  
4,915,320 4/1990 Neal .  
4,981,271 1/1991 Carter .

*Primary Examiner*—Wallace R. Burke  
*Assistant Examiner*—Marcus Jackson  
*Attorney, Agent, or Firm*—Jacobson, Price, Holman &  
Stern

[56] **References Cited**  
**U.S. PATENT DOCUMENTS**  
D. 241,539 9/1976 Iverson ..... D20/22  
D. 248,960 8/1978 Iverson ..... D20/23  
D. 267,415 12/1982 Hornbald ..... D20/10  
D. 321,913 11/1991 Wolff ..... D20/22  
D. 325,400 4/1992 Wolff ..... D20/22  
D. 327,507 6/1992 Wahl ..... D20/22  
3,486,257 12/1969 Walldorf ..... D20/22  
3,678,886 7/1972 Jibbet ..... 116/173  
3,810,593 5/1974 Krysl .

[57] **CLAIM**  
The ornamental design for a folded tag for eyeglasses,  
as shown and described.

### DESCRIPTION

FIG. 1 is a perspective view of a folded tag for eye-  
glasses showing my new design, with the broken line  
showing for illustrative purposes only and forming no  
part of the claimed design;  
FIG. 2 is a rear view thereof;  
FIG. 3 is a top plan view thereof;  
FIG. 4 is a left side view thereof;  
FIG. 5 is a right side view thereof; and,  
FIG. 6 is a top plan view thereof in an unfolded condi-  
tion.

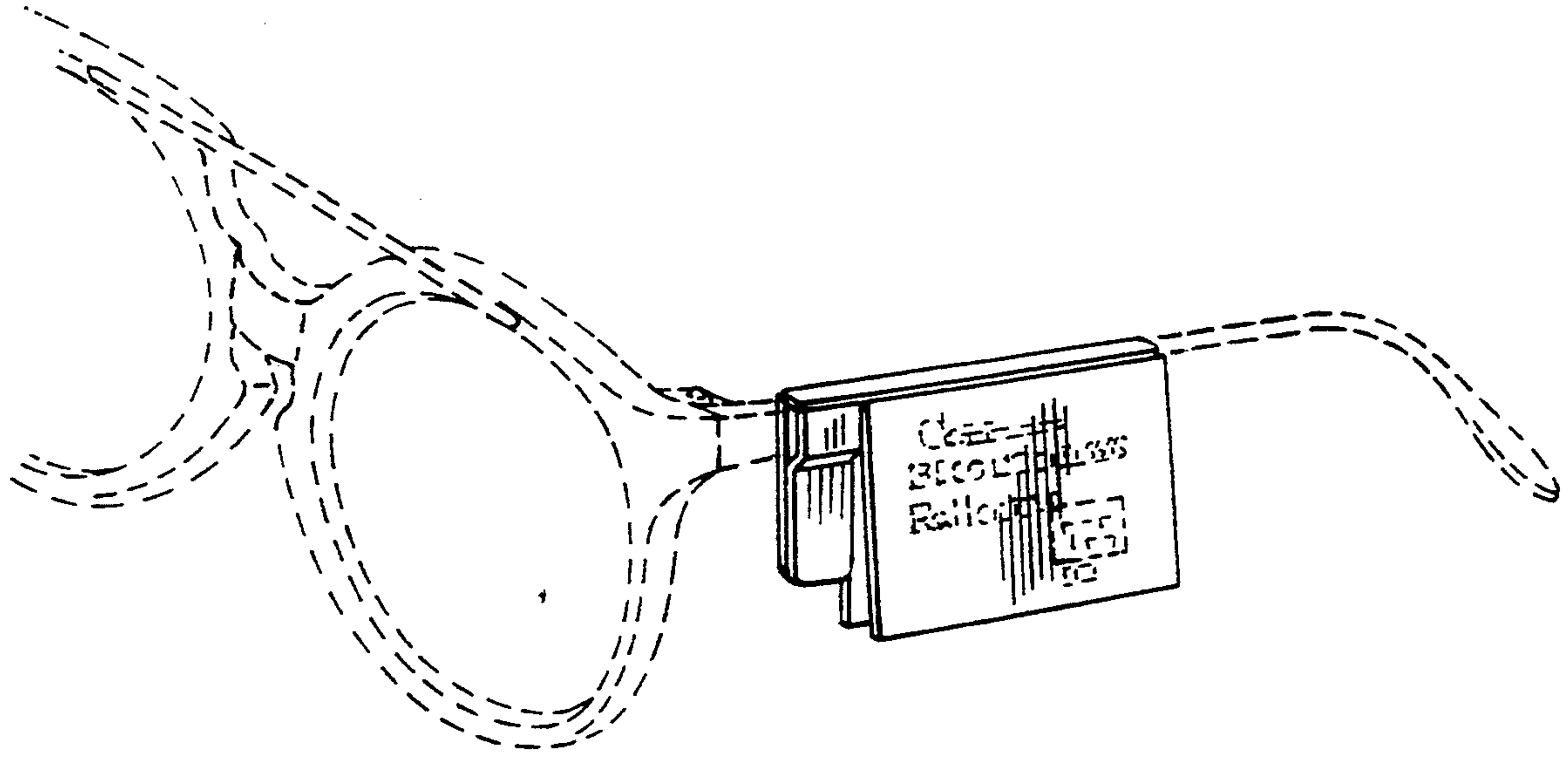


FIG. 1

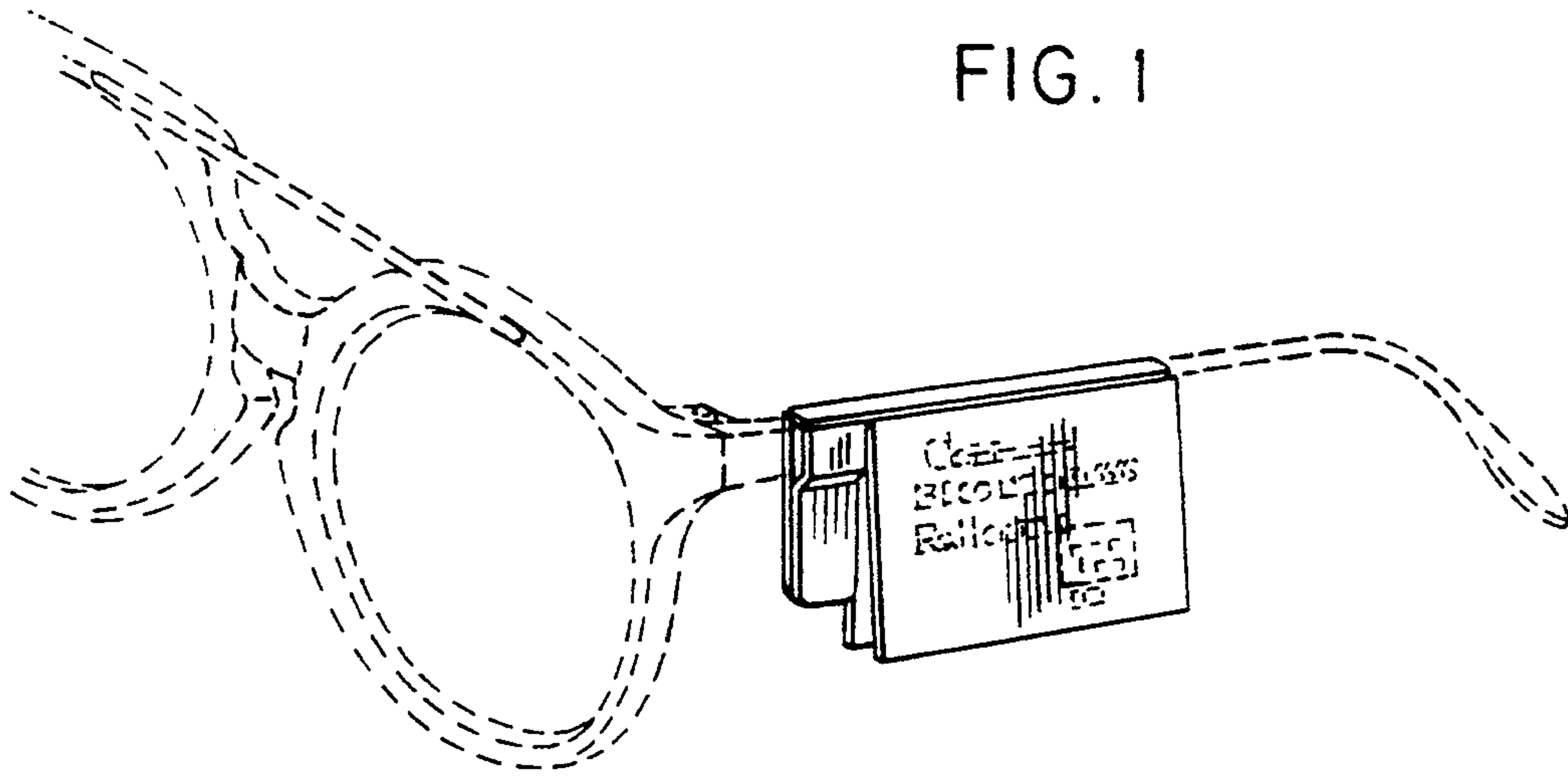


FIG. 2

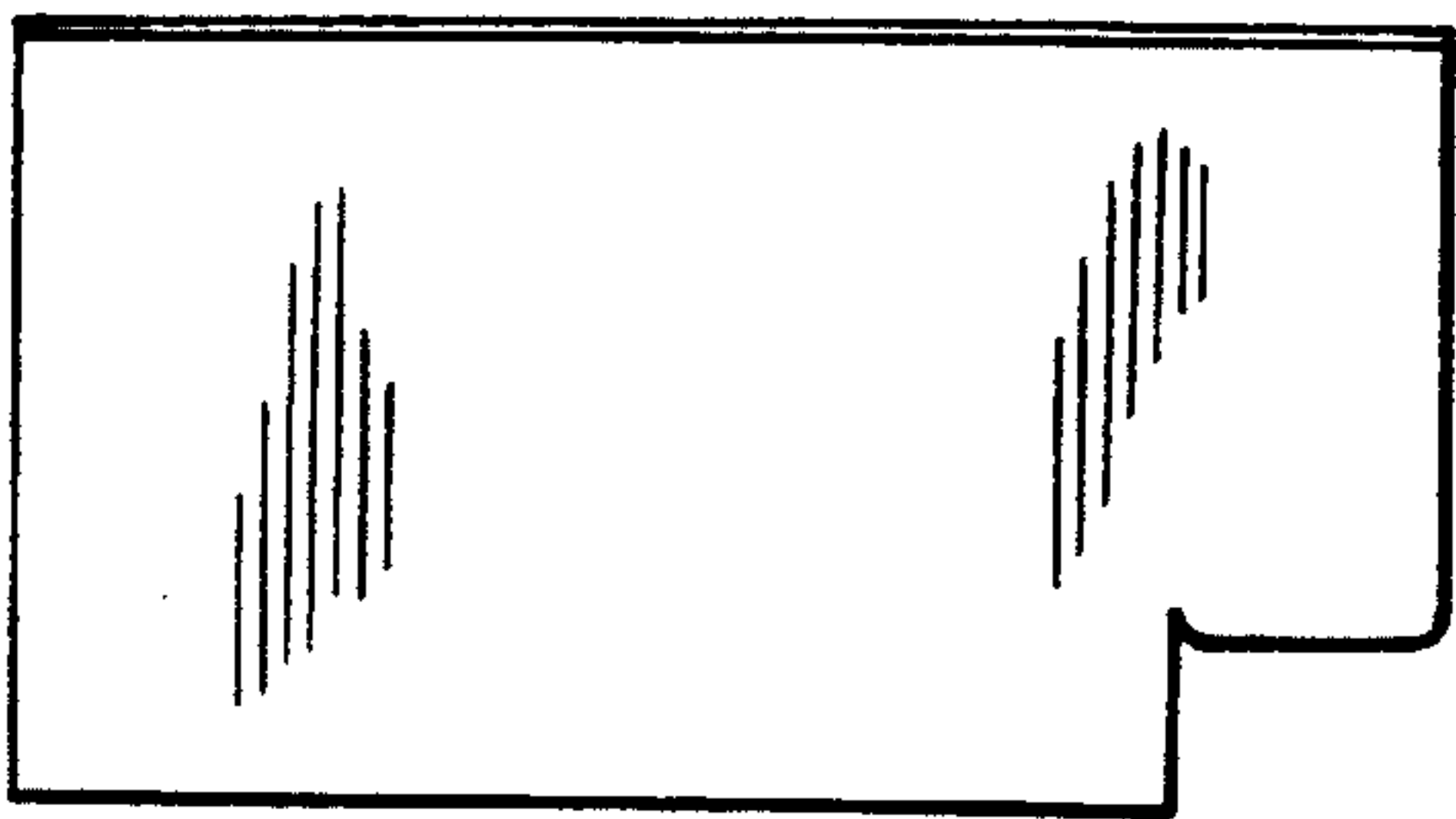


FIG. 3



FIG. 6

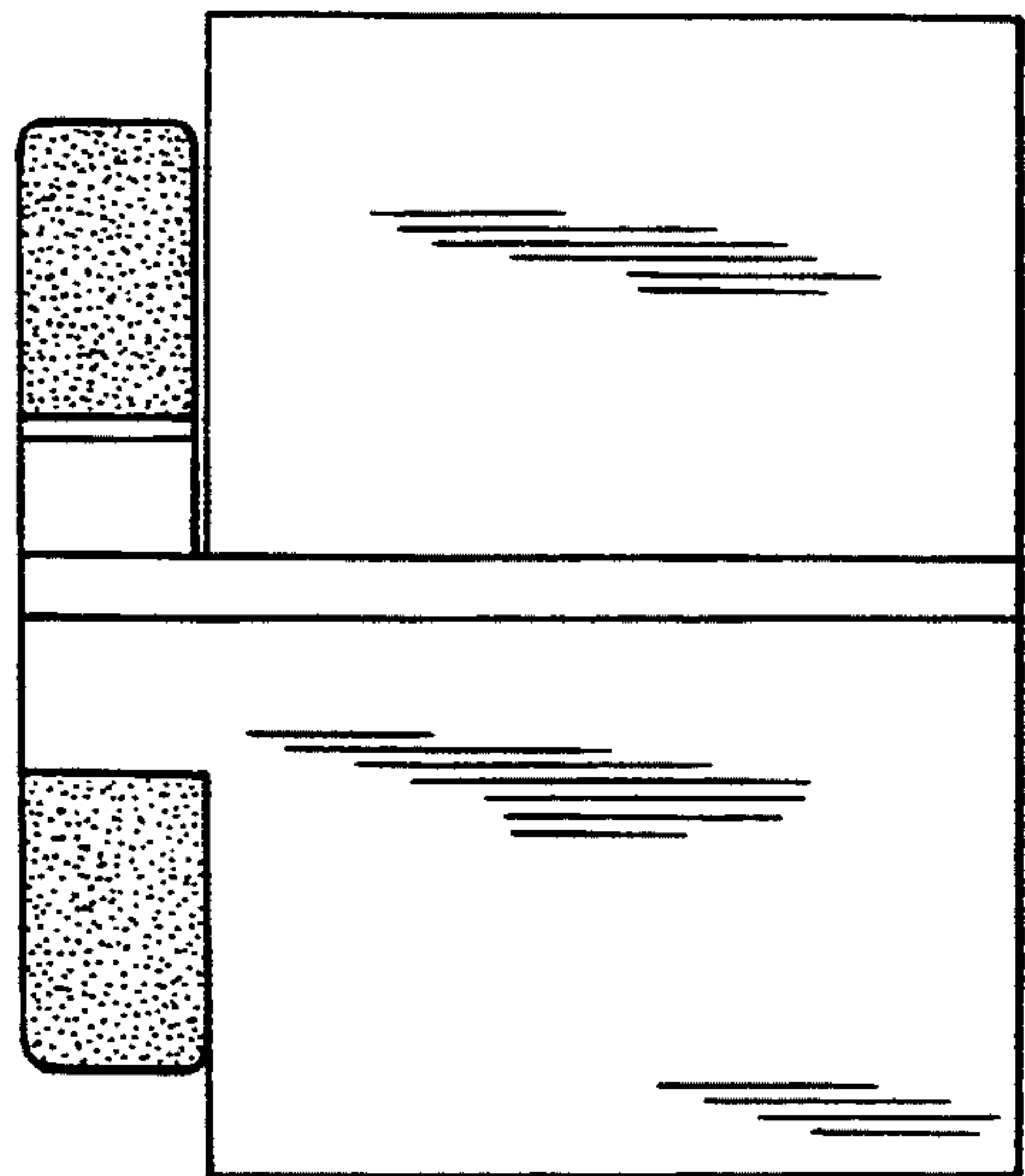


FIG. 4



FIG. 5

