



US00D350985S

United States Patent [19]

[11] Patent Number: **Des. 350,985**

Schimke

[45] Date of Patent: **** Sep. 27, 1994**

[54] **PAGE CLIP**

[76] Inventor: **Thomas O. Schimke**, 504 Lake Forest Pkwy., Louisville, Ky. 40245

[**] Term: **14 Years**

[21] Appl. No.: **9,699**

[22] Filed: **Jun. 17, 1993**

[52] U.S. Cl. **D19/65; D19/34; D19/86; D8/395**

[58] Field of Search **D8/395; 24/67 R, 67.1, 24/67.3, 67.5, 67.7, 67.9, 67.11, 501, 507, 511, 489, 499, 545-549, 562, 563; 40/658, 659, 666, 667; D19/34, 65, 86, 90, 99, 100**

[56] **References Cited**

U.S. PATENT DOCUMENTS

D. 164,591	9/1951	Murphy	D19/28 X
D. 286,013	10/1986	Adams	D8/395
D. 287,512	12/1986	Shaw	D19/28 X
D. 290,971	7/1987	Quilty	D19/65
606,924	7/1898	Hale	.	
818,350	4/1906	Noll	.	
974,067	10/1910	Johnson	.	
2,784,470	3/1957	Watson	.	
3,514,066	5/1970	Singleton	.	

3,539,143	11/1970	Johnston	24/67.5 X
3,737,178	6/1973	Tjernlund et al.	.	
4,047,688	9/1977	Knox et al.	.	
4,116,414	9/1978	Robertson	.	
4,722,120	2/1988	Lee	24/489
4,838,198	6/1989	Knox	.	
5,088,677	2/1992	Chandler et al.	.	

OTHER PUBLICATIONS

Tiffany & Company, Summer 1992, see circled bookmark upper right-p. 17.

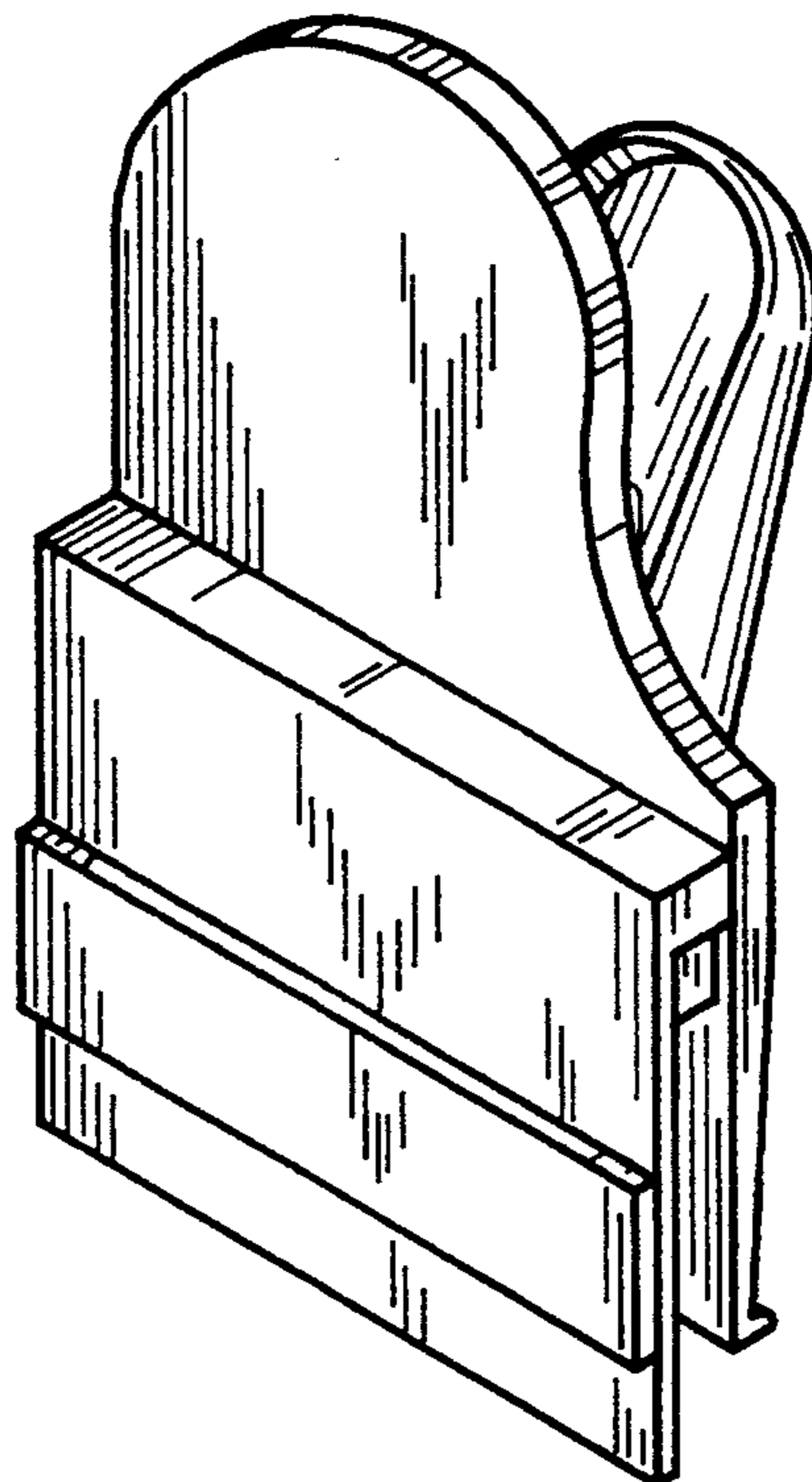
Primary Examiner—Martie Thompson
Attorney, Agent, or Firm—Middleton & Reutlinger

[57] CLAIM

The ornamental design for a page clip, as shown and described.

DESCRIPTION

FIG. 1 is a top right front perspective view of a page clip showing my new design;
FIG. 2 is a rear elevational view thereof;
FIG. 3 is front elevational view thereof;
FIG. 4 is bottom plan view thereof;
FIG. 5 is a right side elevational view thereof;
FIG. 6 is a top plan view thereof; and,
FIG. 7 is a left side elevational view thereof.



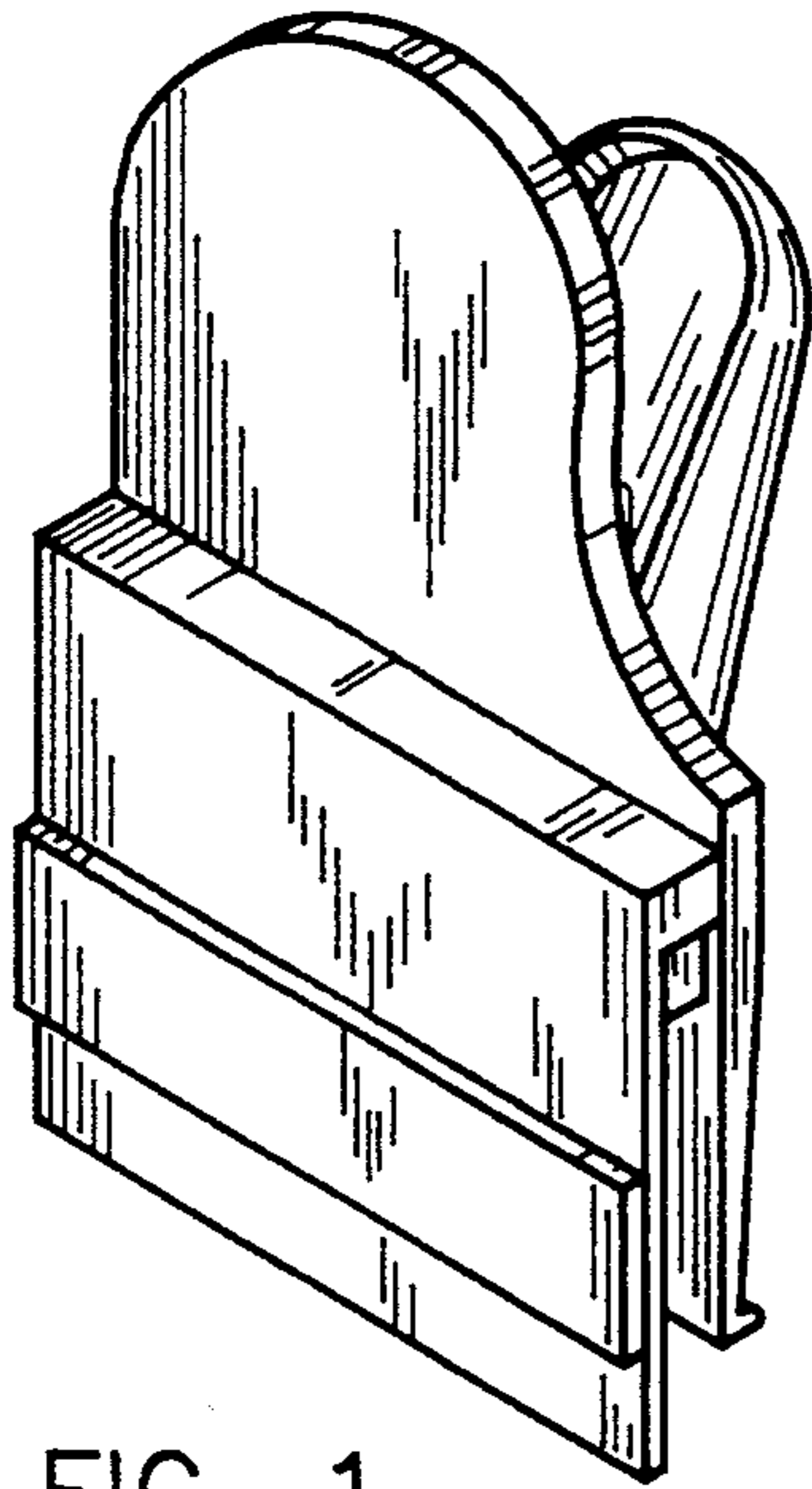


FIG. 1

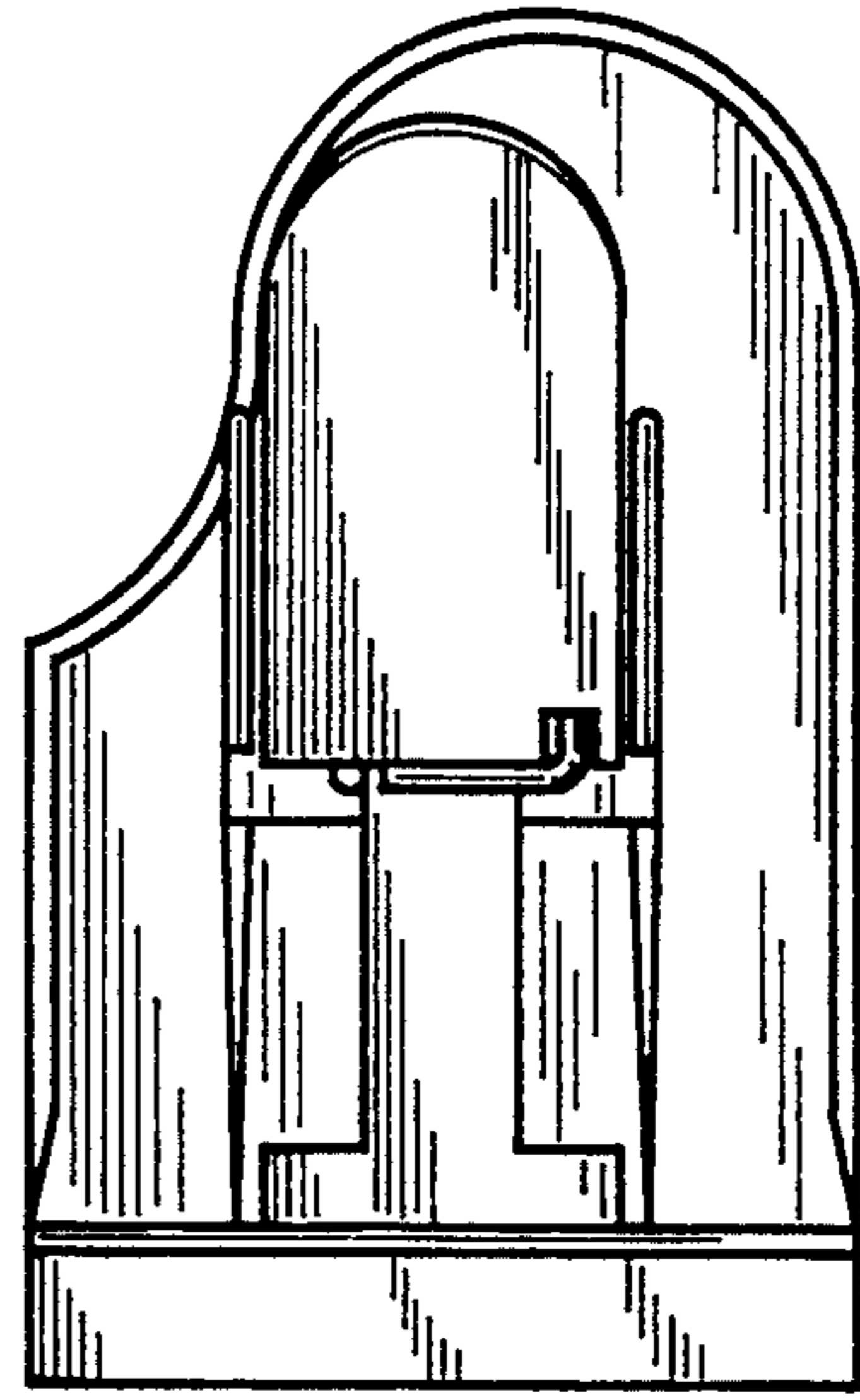


FIG. 2

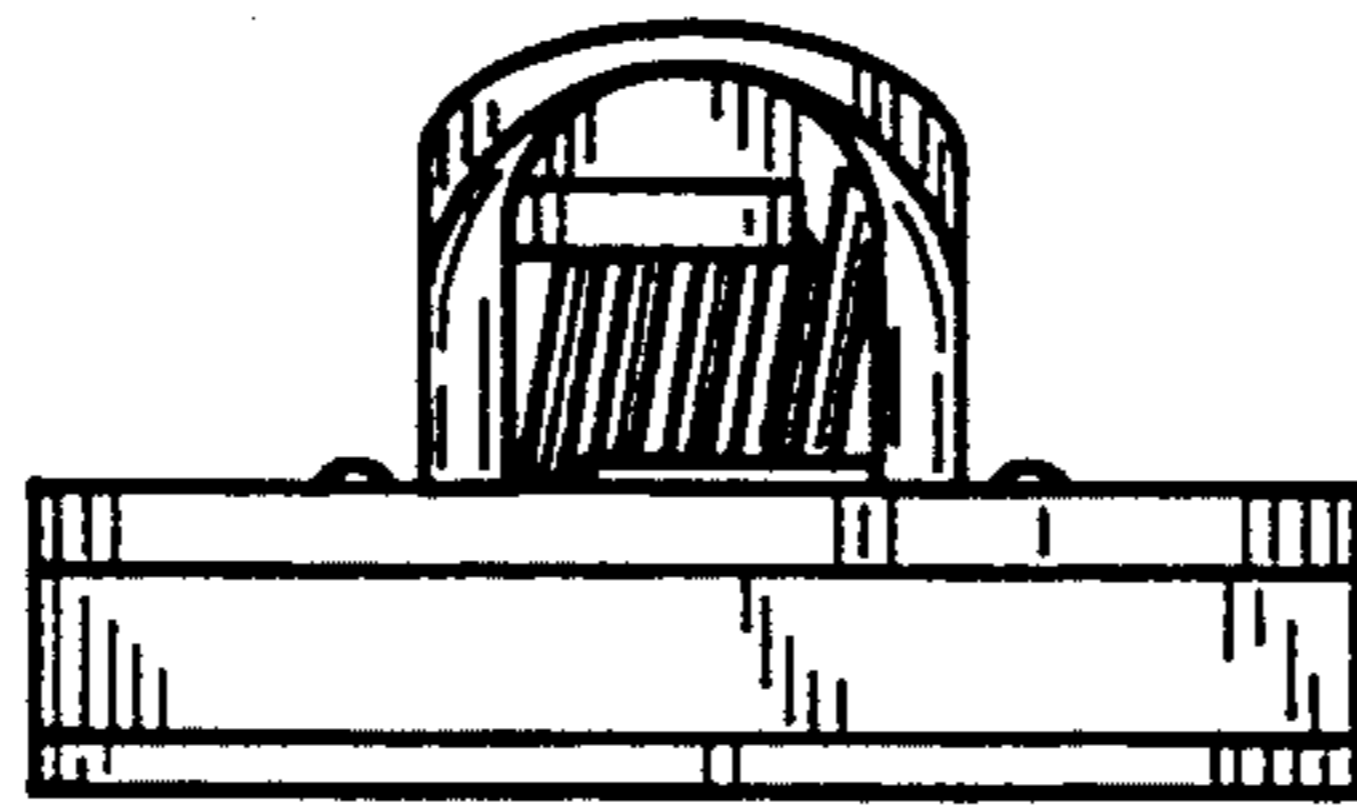


FIG. 6

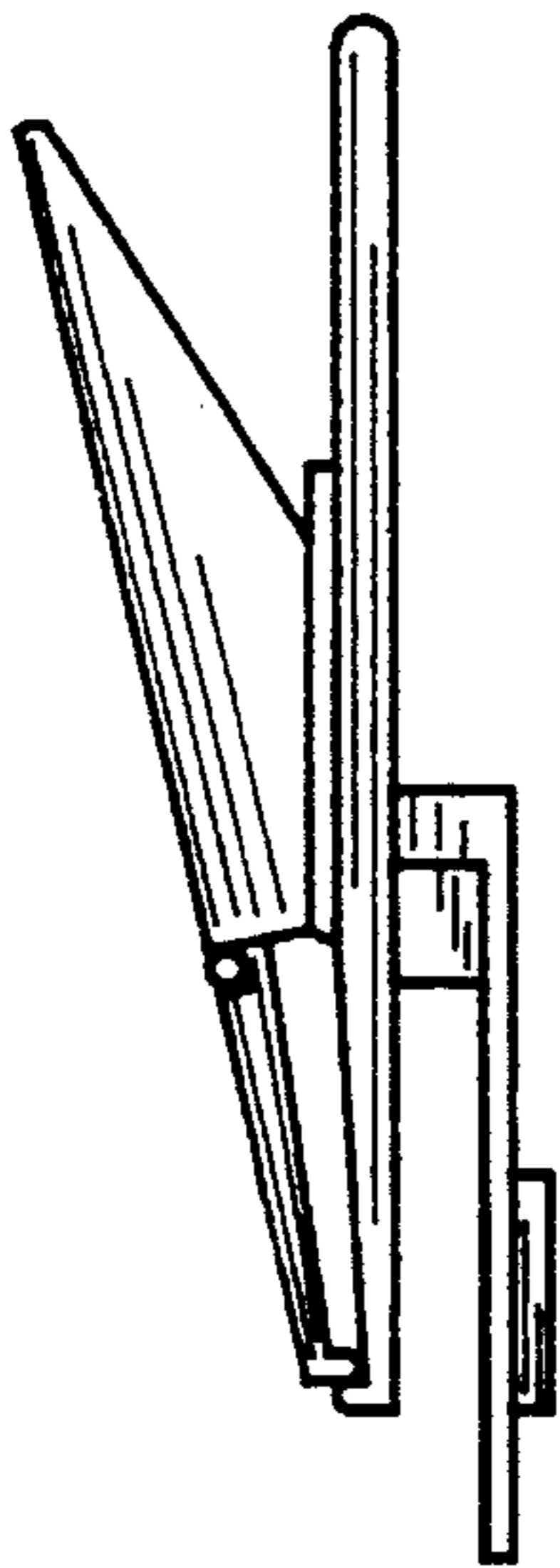


FIG. 7

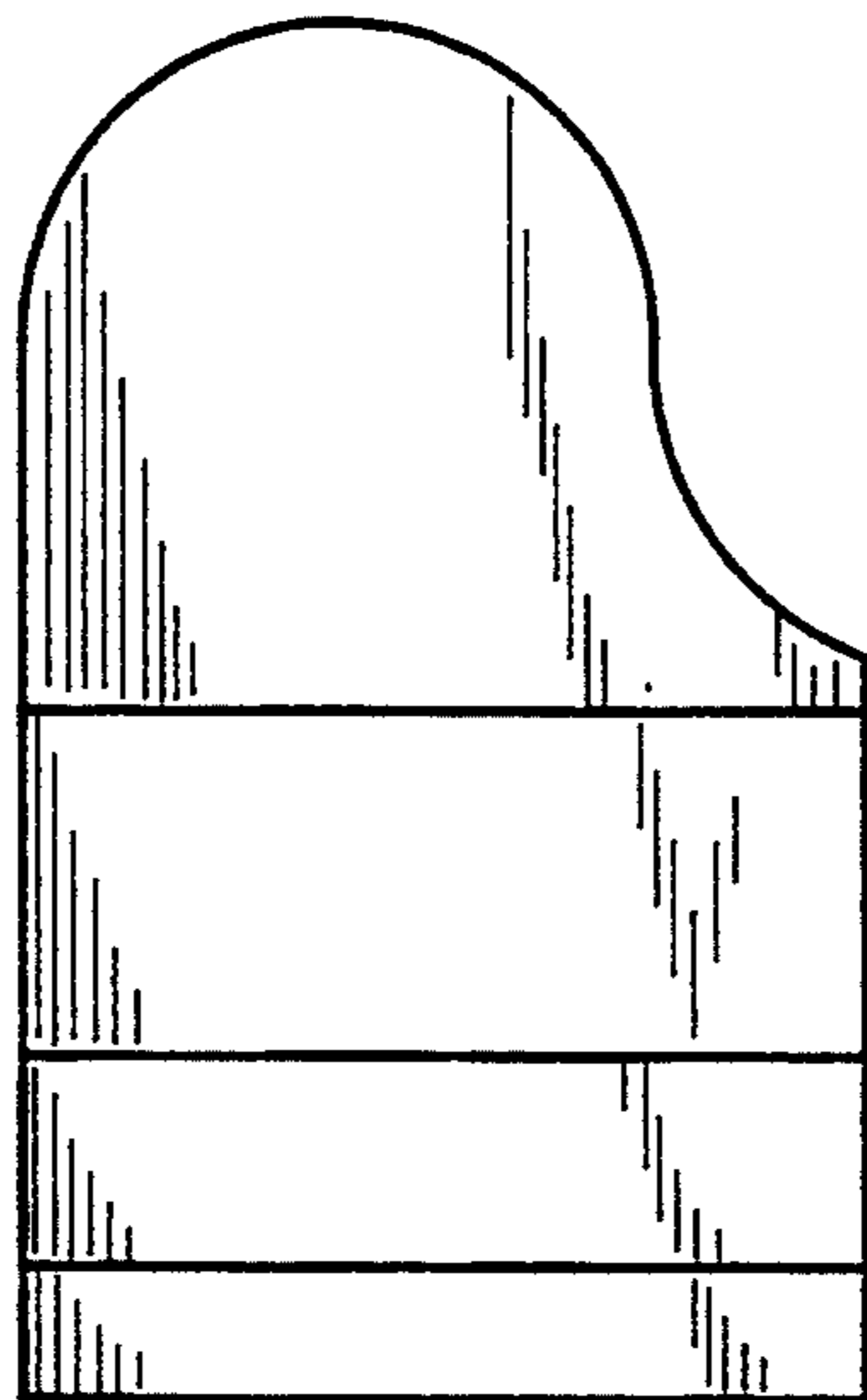


FIG. 3

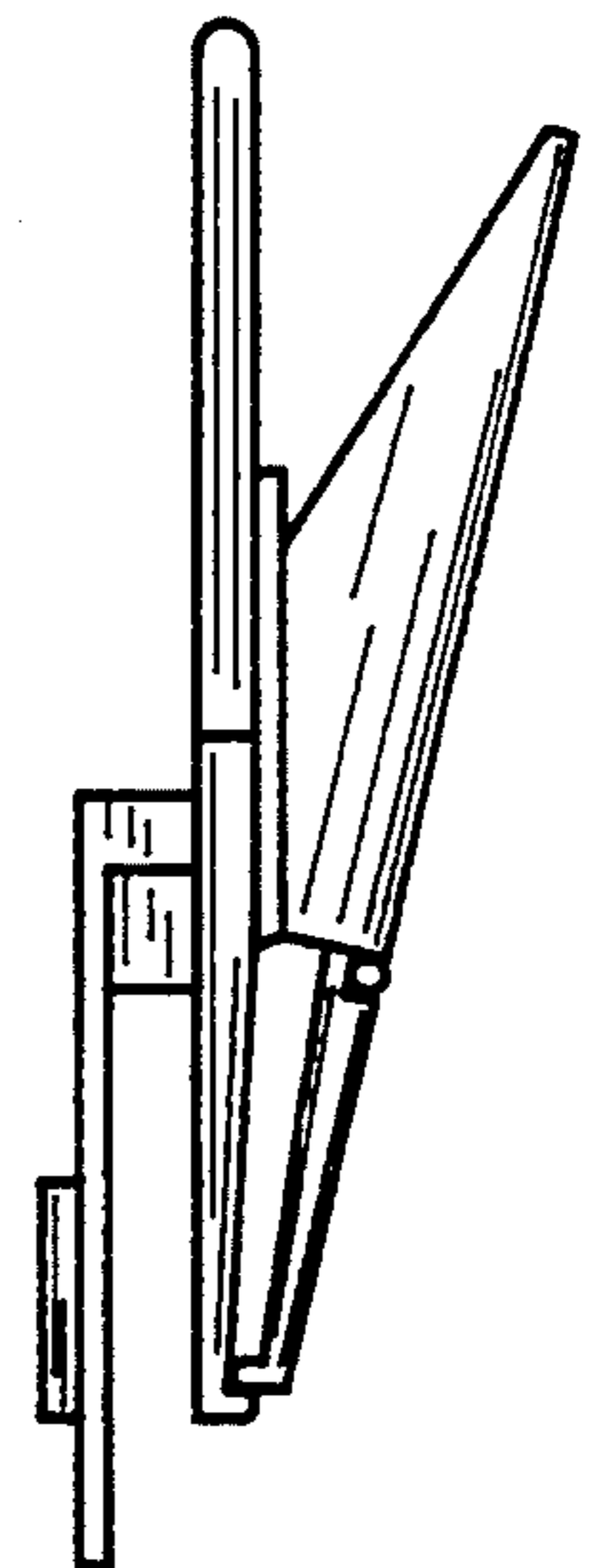


FIG. 5

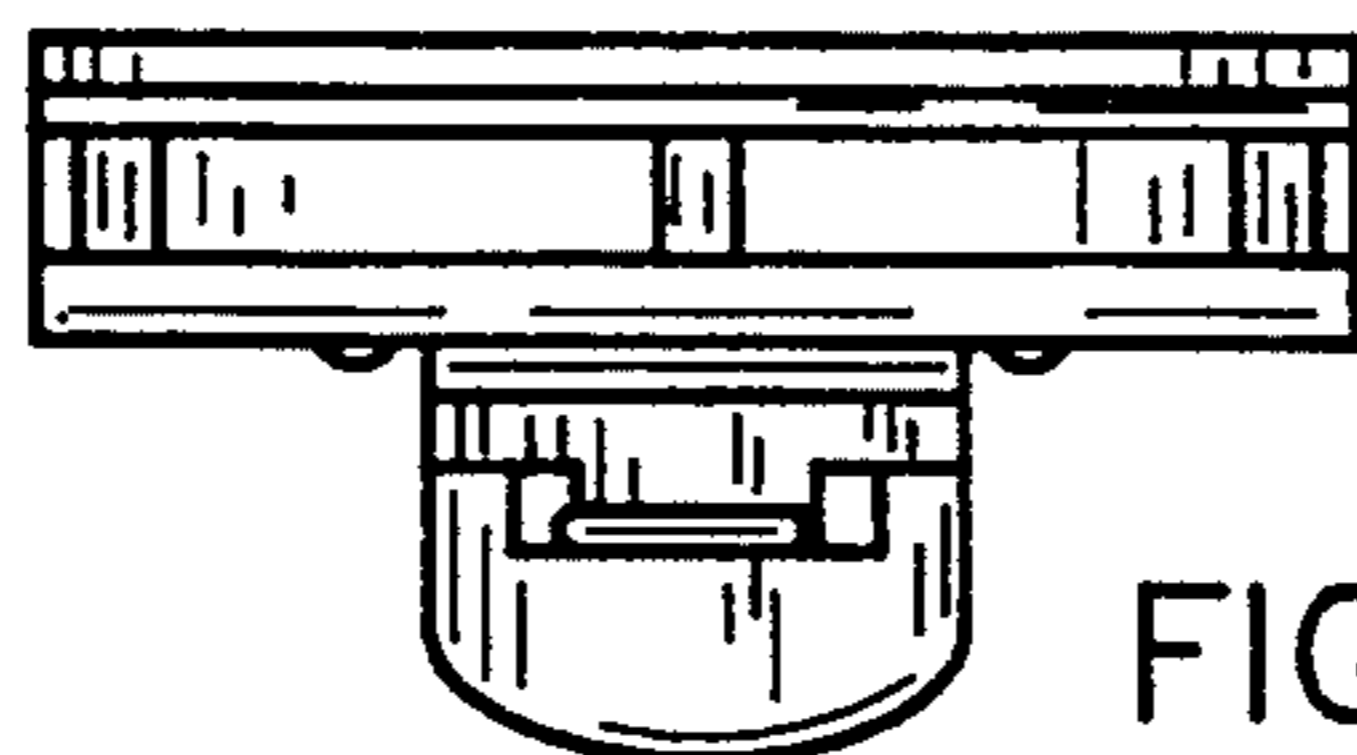


FIG. 4