



US00D350984S

United States Patent [19]

[11] Patent Number: **Des. 350,984**

Huang

[45] Date of Patent: **** Sep. 27, 1994**

[54] **TOY PEN**

[76] Inventor: **Peter Huang**, No. 14 Alley 13 Lane
292 Pao Ping Road, Yung Ho,
Taiwan

[**] Term: **14 Years**

[21] Appl. No.: **7,912**

[22] Filed: **May 4, 1993**

[52] U.S. Cl. **D19/42; D19/51;
D21/87**

[58] Field of Search 401/52, 88, 195, 6,
401/7; 89/1.806; D21/2, 145, 49, 87; D22/112;
D19/35, 36, 41, 42, 43-51, 54-58, 81-85

[56] **References Cited**

U.S. PATENT DOCUMENTS

- D. 160,030 9/1950 Strauss D19/42 X
- D. 254,082 1/1980 Koblick D19/42 X
- D. 254,083 1/1980 Koblick D19/42 X

- D. 265,488 7/1982 Appel et al. D21/87
- D. 274,348 6/1984 Chiehyi D22/112
- D. 280,110 8/1985 Brooks D19/42
- D. 290,101 6/1987 Chung D21/87
- D. 326,829 6/1992 Mahoney D21/49 X
- D. 335,140 4/1993 Walker D19/51 X
- 2,918,751 12/1959 Johnson D21/87 X

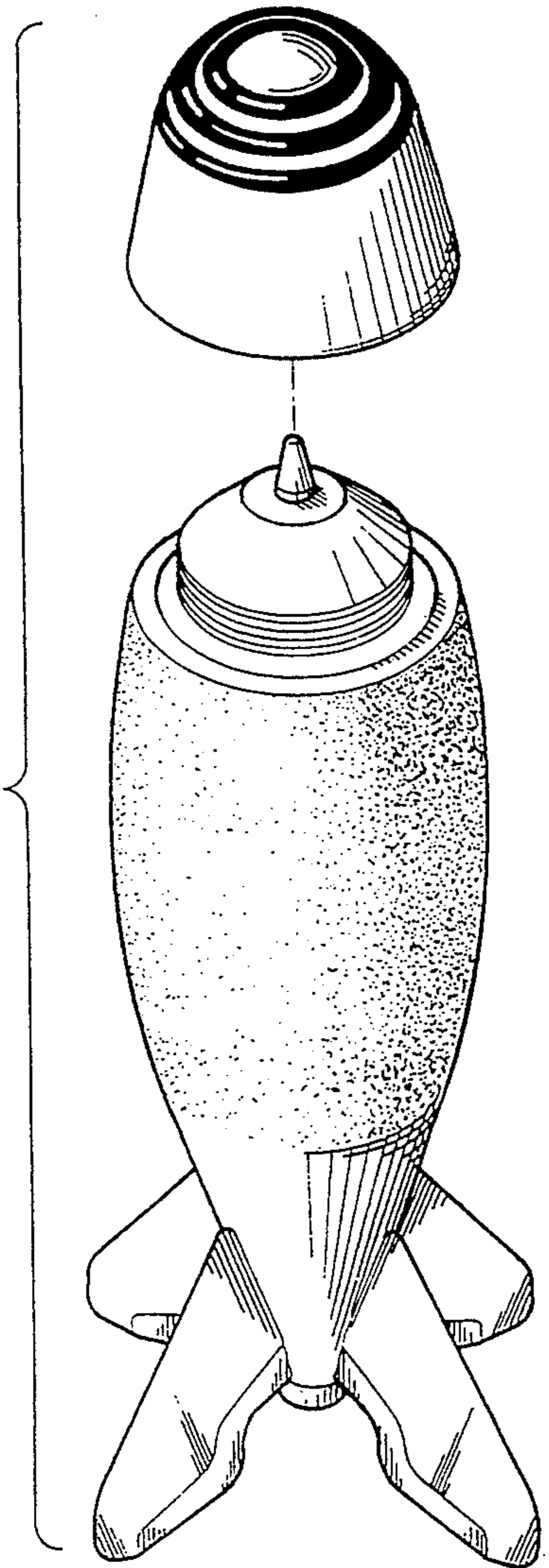
Primary Examiner—Martie Thompson
Attorney, Agent, or Firm—Pro-Techtor International

[57] **CLAIM**

The ornamental design for a toy pen, as shown and described.

DESCRIPTION

FIG. 1 is a perspective view of a toy pen showing my new design;
FIG. 2 is a front elevational view thereof;
FIG. 3 is a top elevational view thereof;
FIG. 4 is a rear elevational view thereof; and,
FIG. 5 is a perspective view thereof in an exploded condition.



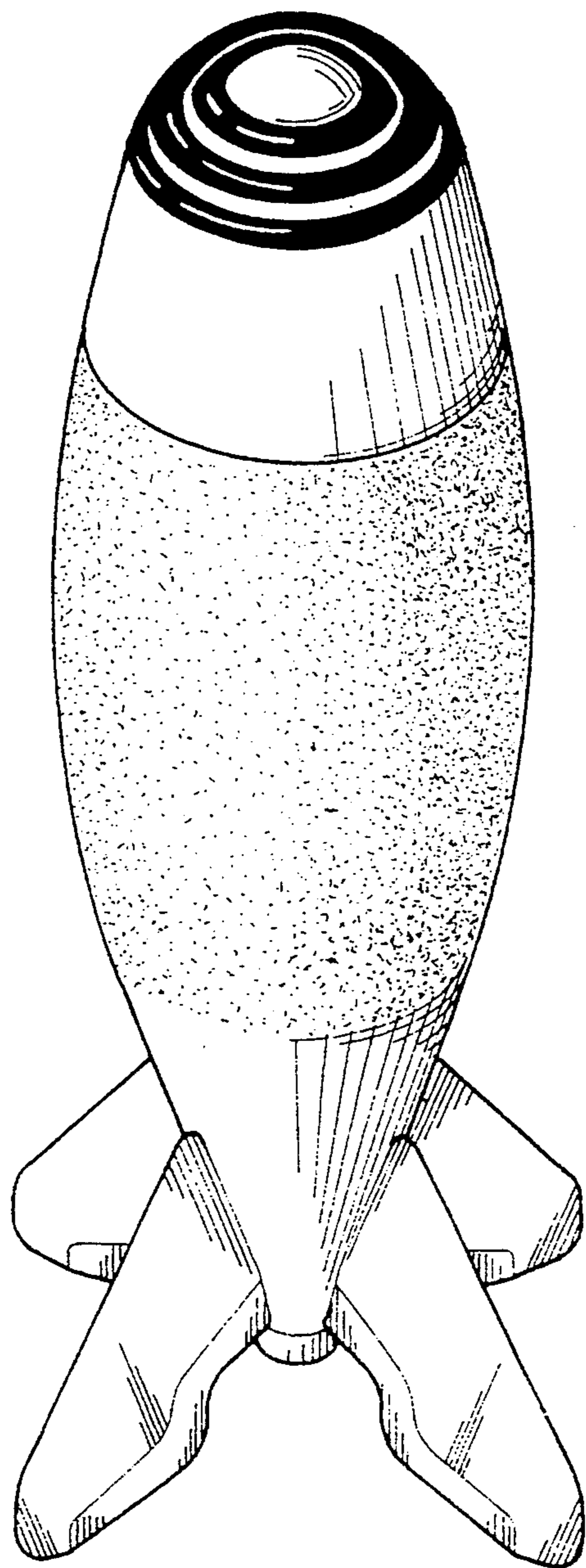


FIG. 1

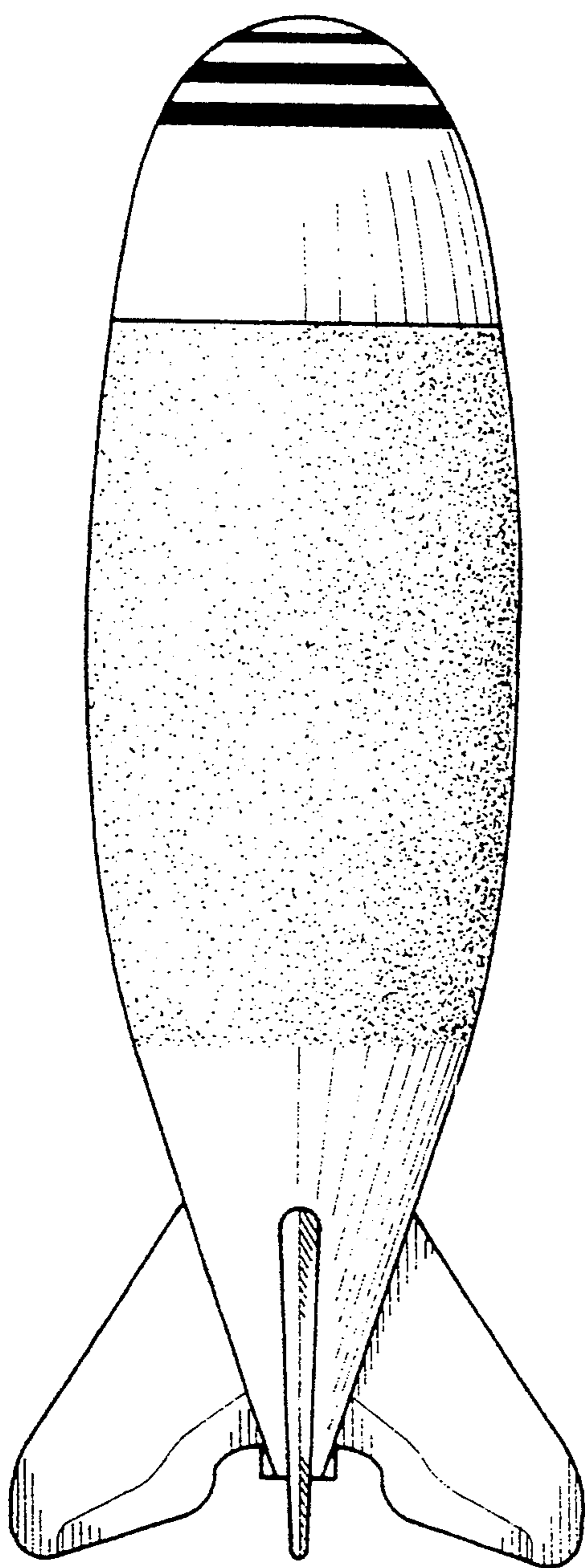


FIG. 2

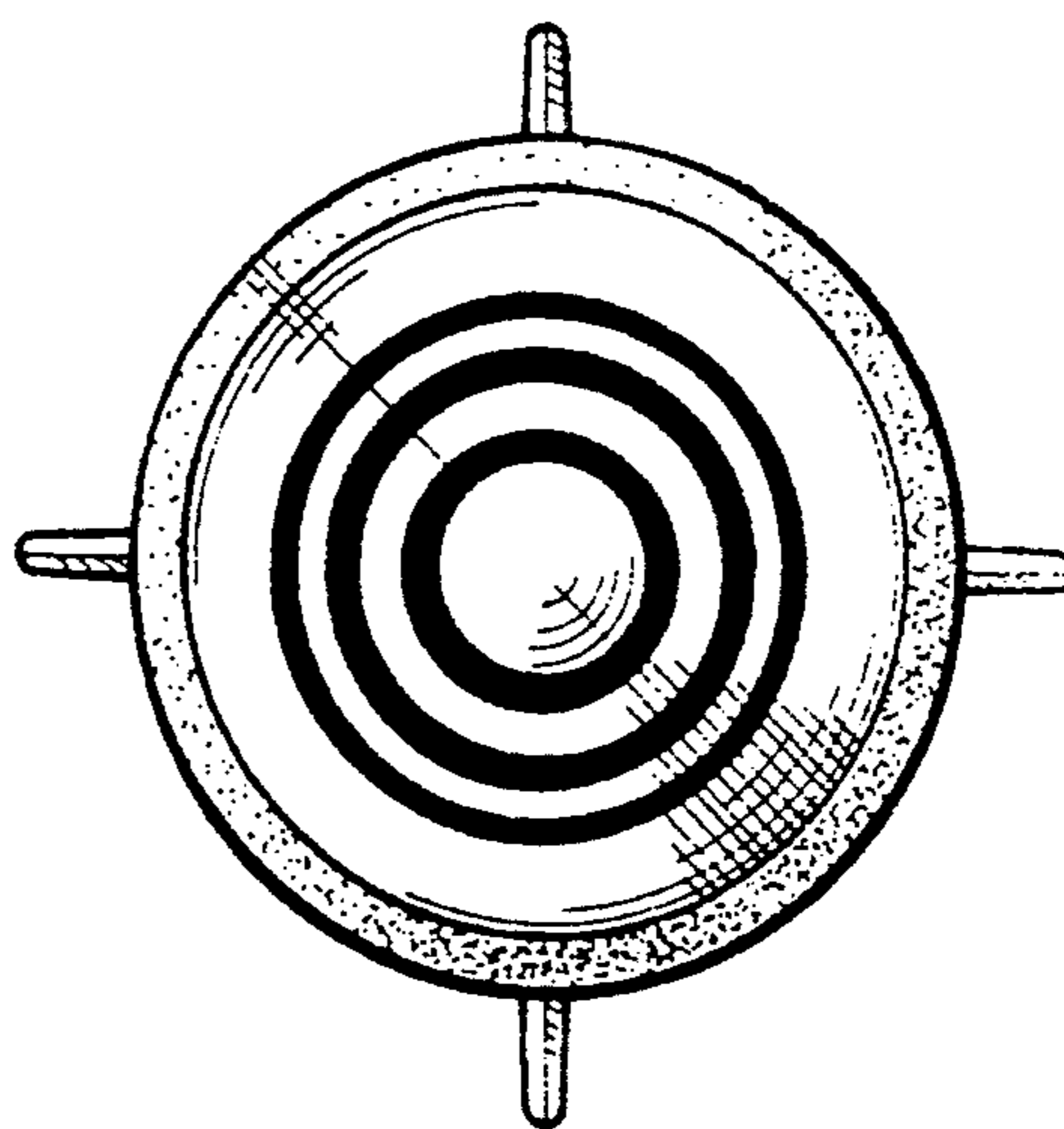


FIG. 3

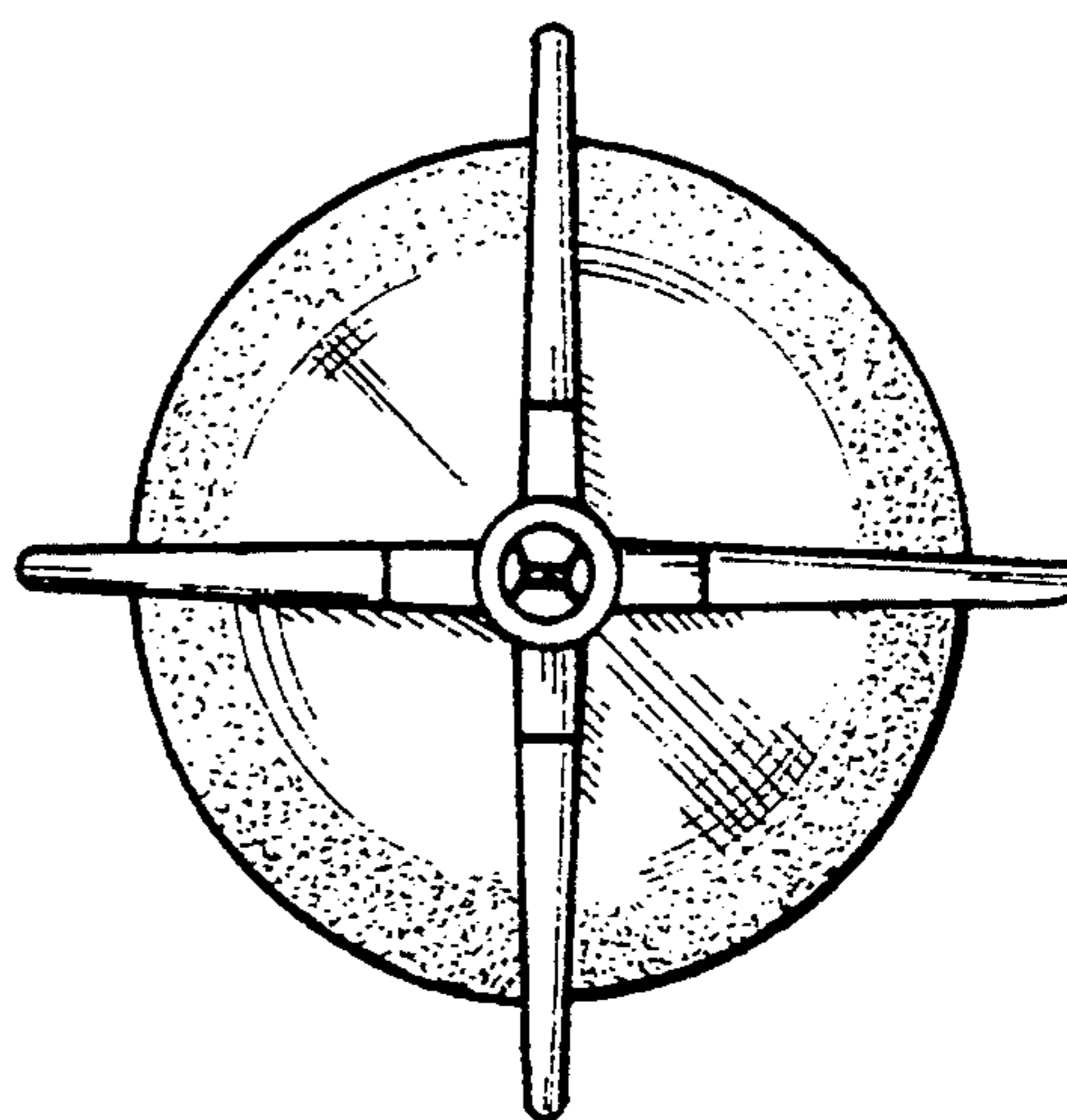


FIG. 4

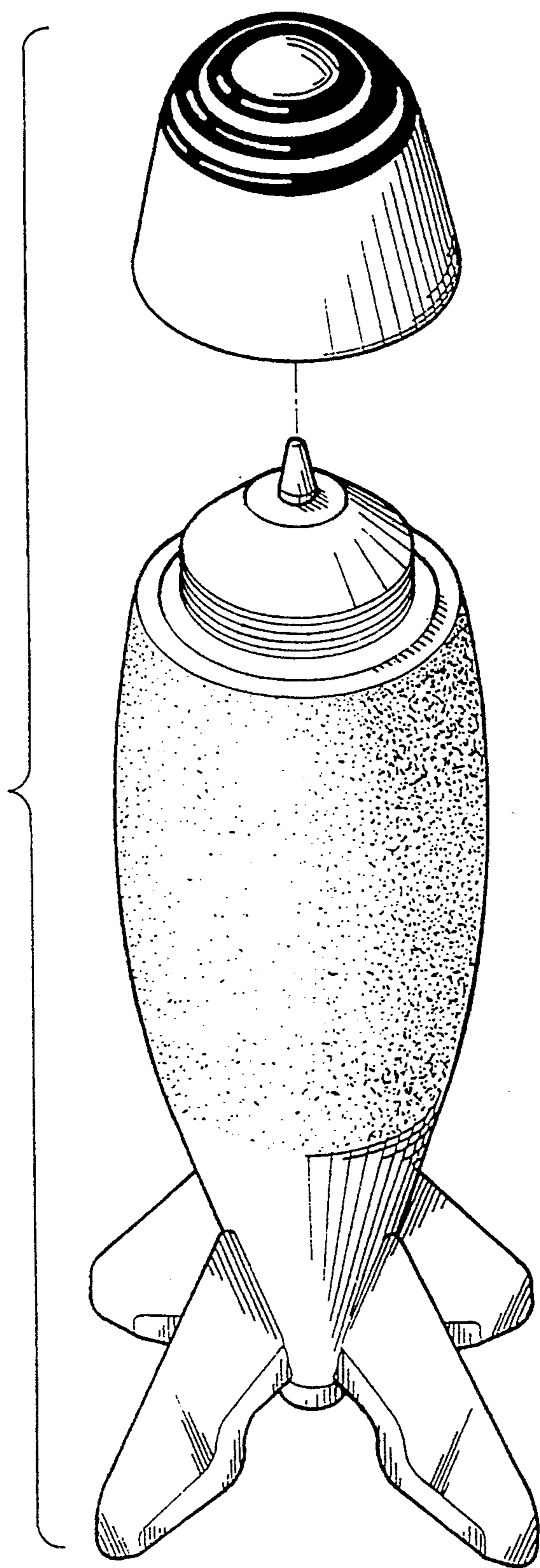


FIG. 5