



US00D350982S

# United States Patent [19]

[11] Patent Number: **Des. 350,982**

Joye

[45] Date of Patent: **\*\* Sep. 27, 1994**

- [54] ENGRAVING MACHINE
- [75] Inventor: **Andre Joye, Jongny, Switzerland**
- [73] Assignee: **Genex S.A., Chene-bourg, Switzerland**
- [\*\*] Term: **14 Years**
- [21] Appl. No.: **844,004**
- [22] Filed: **Feb. 28, 1992**
- [30] Foreign Application Priority Data  
 Aug. 29, 1991 [CH] Switzerland ..... 119198
- [52] U.S. Cl. .... **D18/57; 409/91; 409/134**
- [58] Field of Search ..... 409/134, 203, 91, 106, 409/105, 108; D18/57, 50

2,118,514	5/1938	Johnson .....	409/108
2,447,446	8/1948	Wilder et al. ....	409/108
2,535,896	12/1950	Buckles et al. ....	409/105
3,203,316	8/1965	Cashman et al. ....	409/203
3,858,743	11/1958	Sallwey .....	409/91
3,927,599	12/1975	Raymond .....	409/91
5,100,270	3/1992	Dowdle et al. ....	409/203

### FOREIGN PATENT DOCUMENTS

1073786	9/1954	France .....	409/108
961944	9/1982	U.S.S.R. ....	409/105

*Primary Examiner*—Cathy Anne MacCormac  
*Attorney, Agent, or Firm*—Nixon & Vanderhye

### [57] CLAIM

The ornamental design for an engraving machine, as shown and described.

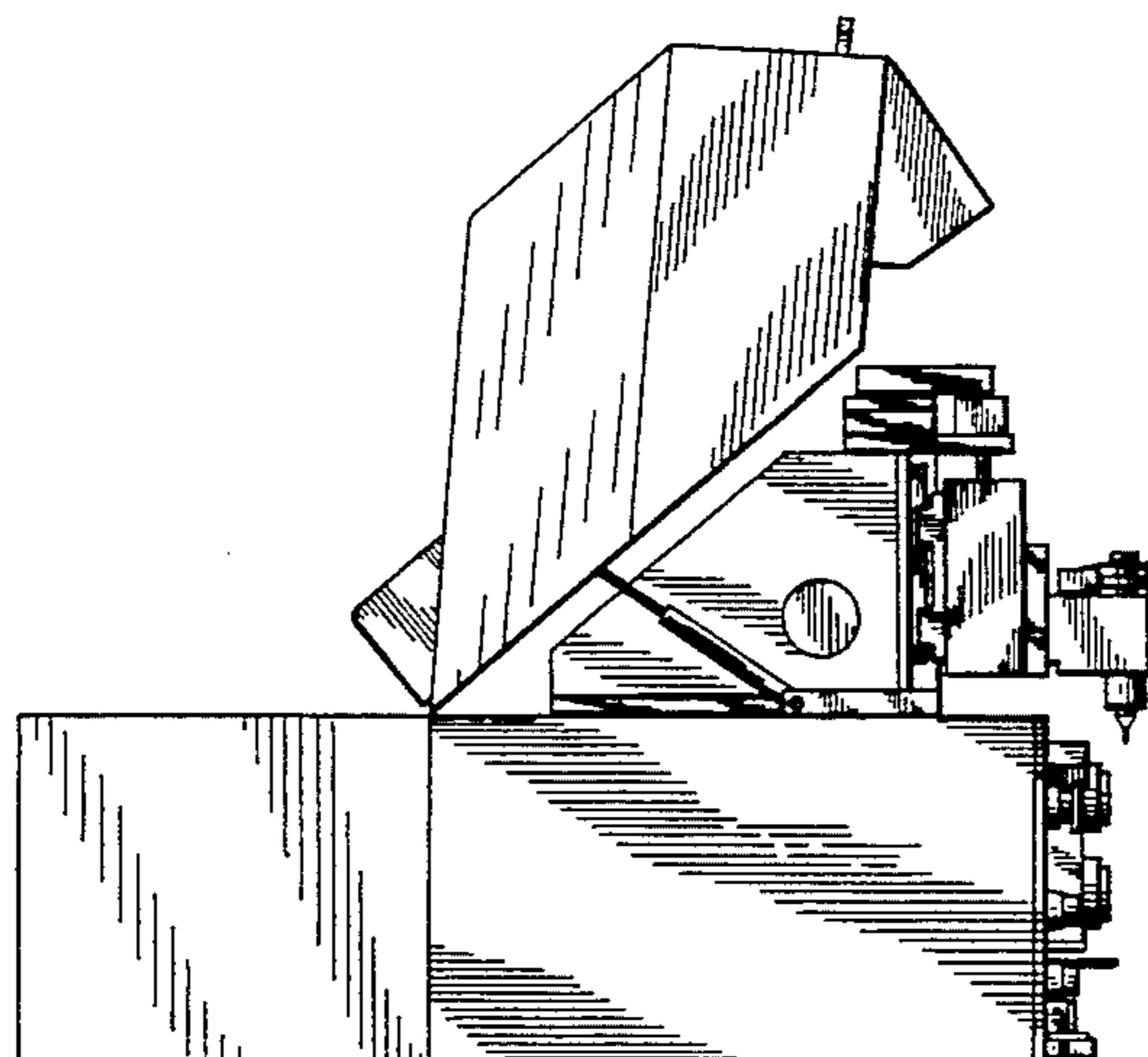
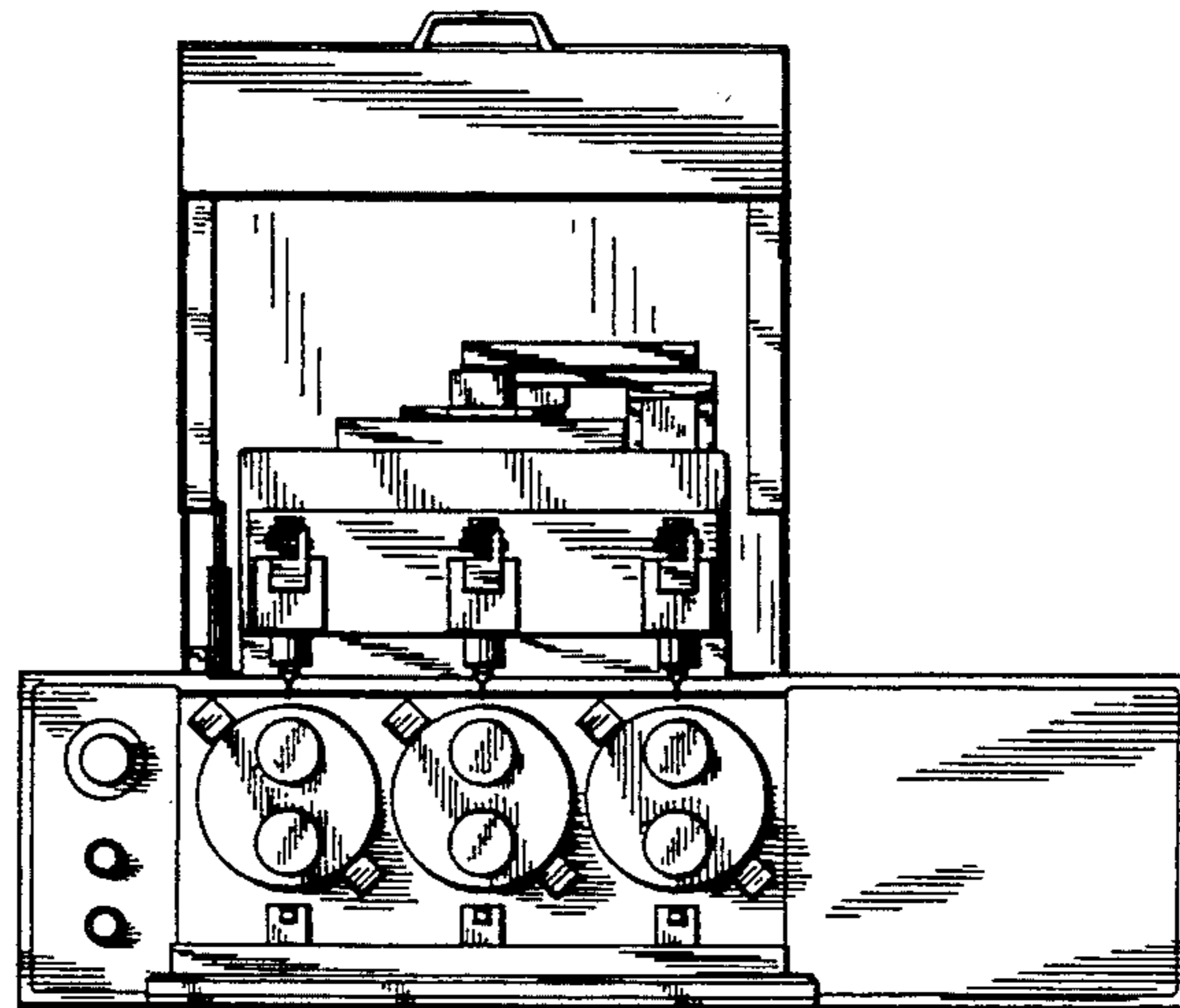
### DESCRIPTION

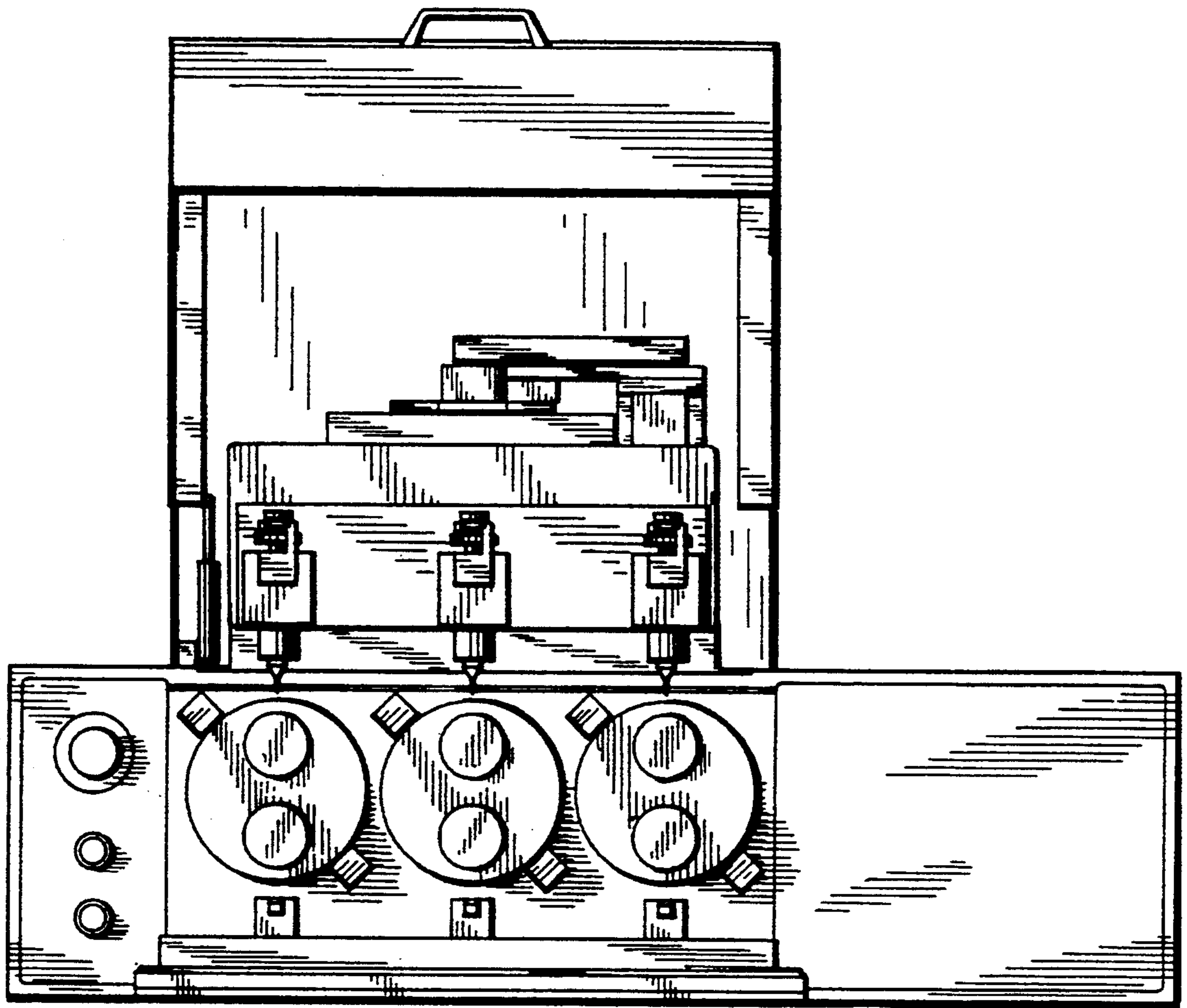
FIG. 1 is a front elevational view of an engraving machine according to the present design;  
 FIG. 2 is a left side elevational view thereof;  
 FIG. 3 is a rear elevational view thereof;  
 FIG. 4 is a right side elevational view thereof;  
 FIG. 5 is a bottom plan view thereof; and,  
 FIG. 6 is a top plan view thereof.

### [56] References Cited

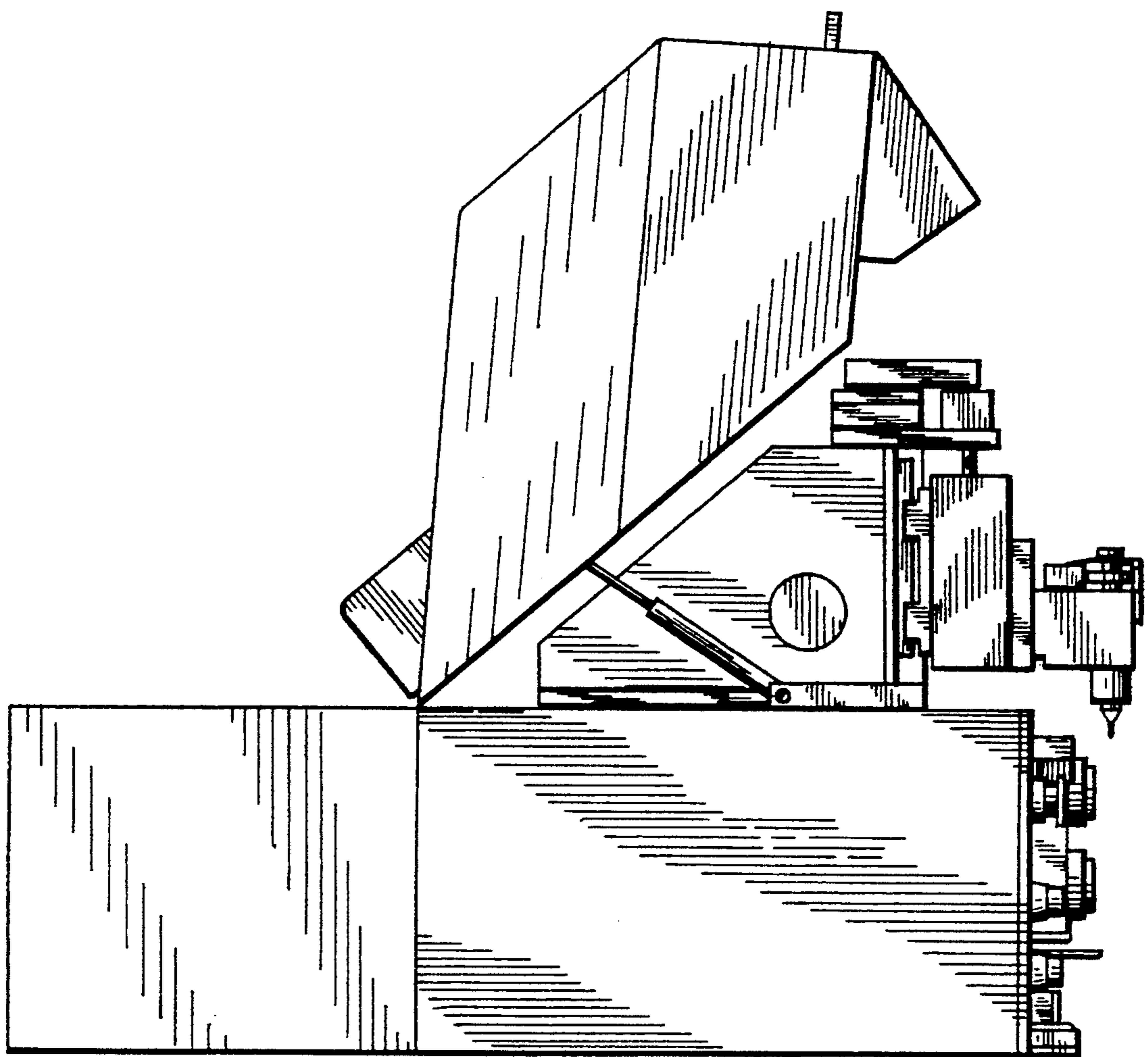
#### U.S. PATENT DOCUMENTS

D. 228,414	9/1973	Greenlee .....	D18/57
D. 280,642	9/1985	Neiman .....	D18/57
D. 291,811	9/1987	Jen .....	D18/57
D. 323,343	1/1992	Richardson et al. ....	D18/50
2,039,349	5/1936	Romaine et al. ....	409/203

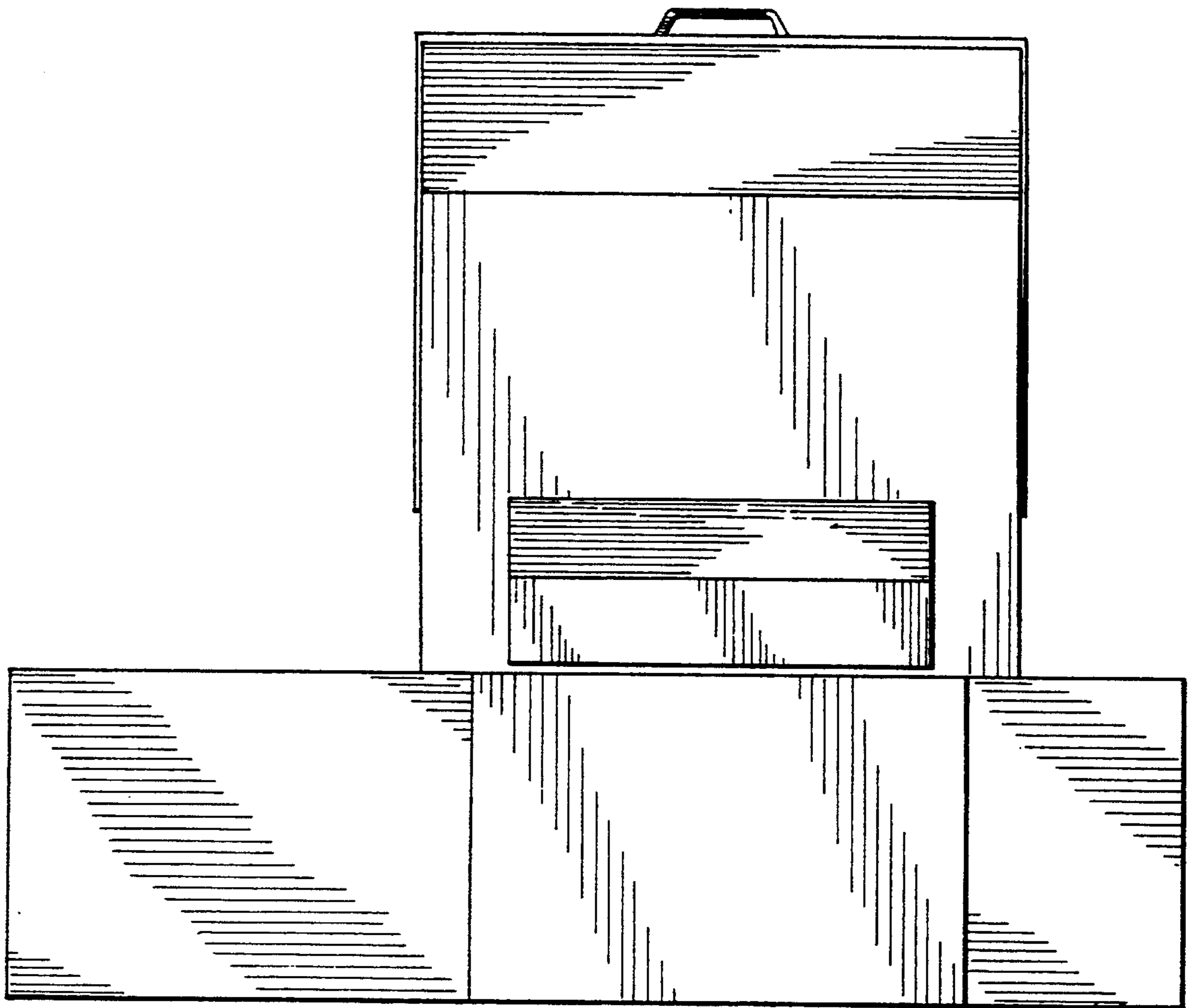




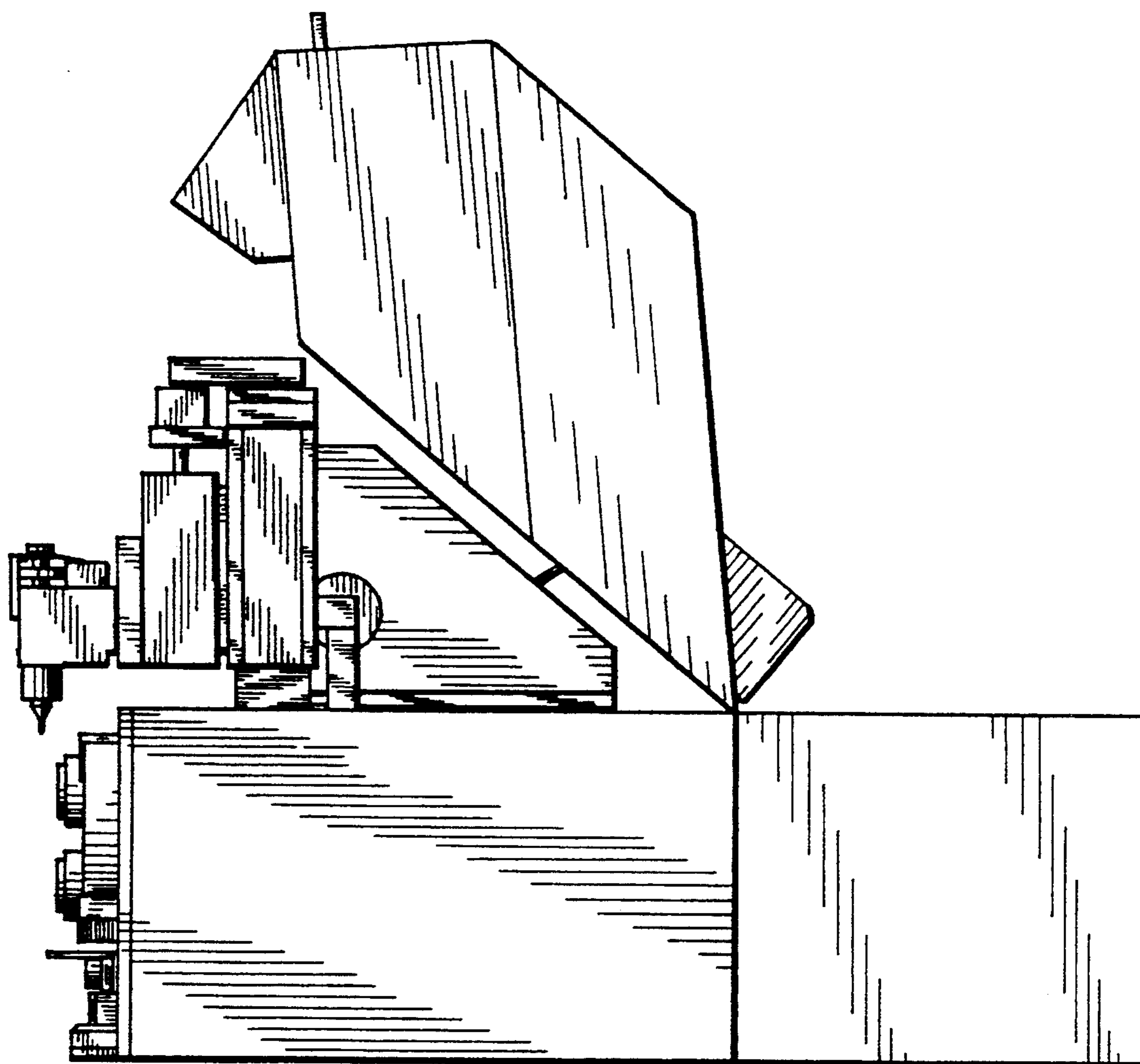
*FIG. 1*



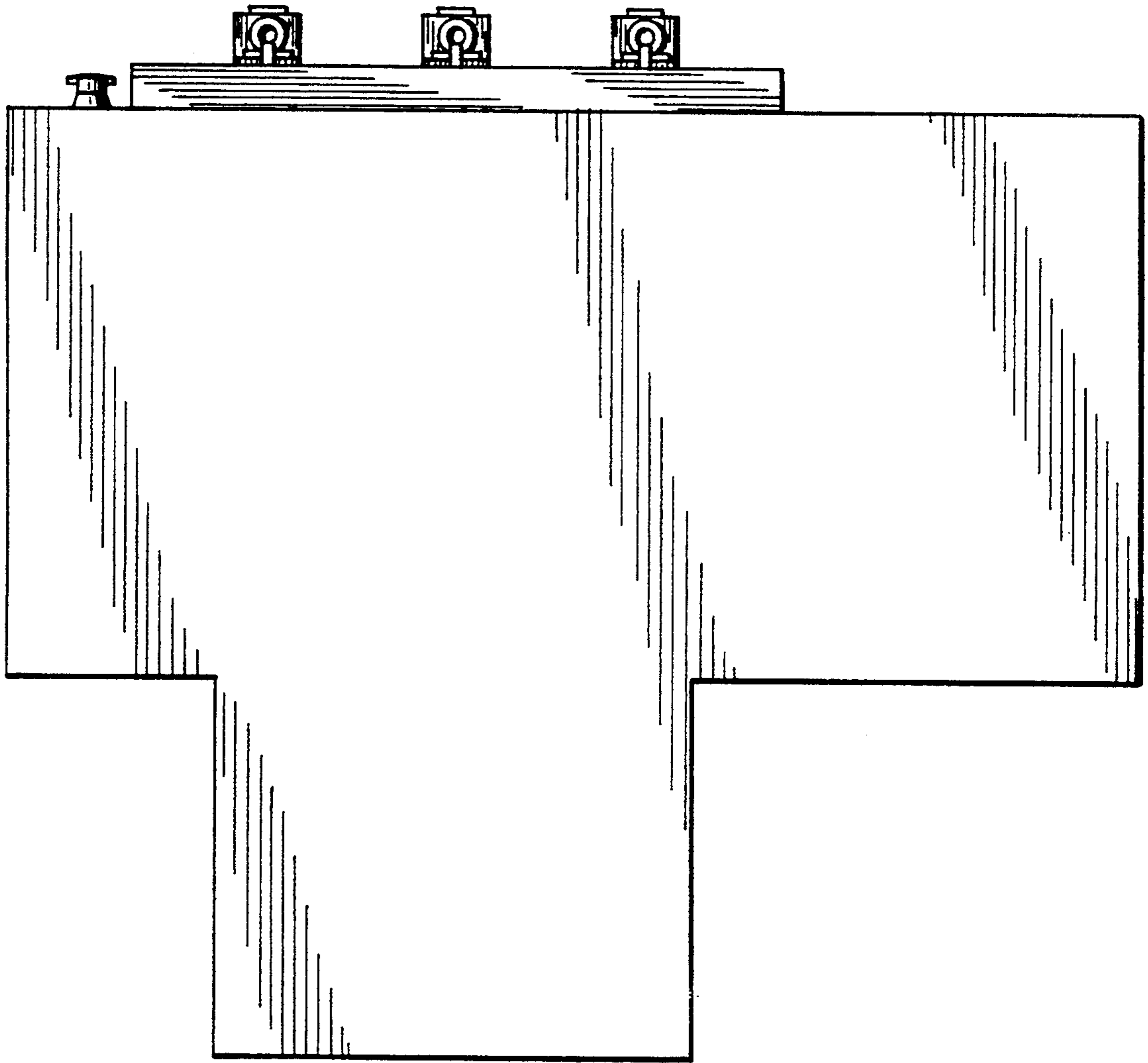
**FIG. 2**



**FIG. 3**



*FIG. 4*



**FIG. 5**

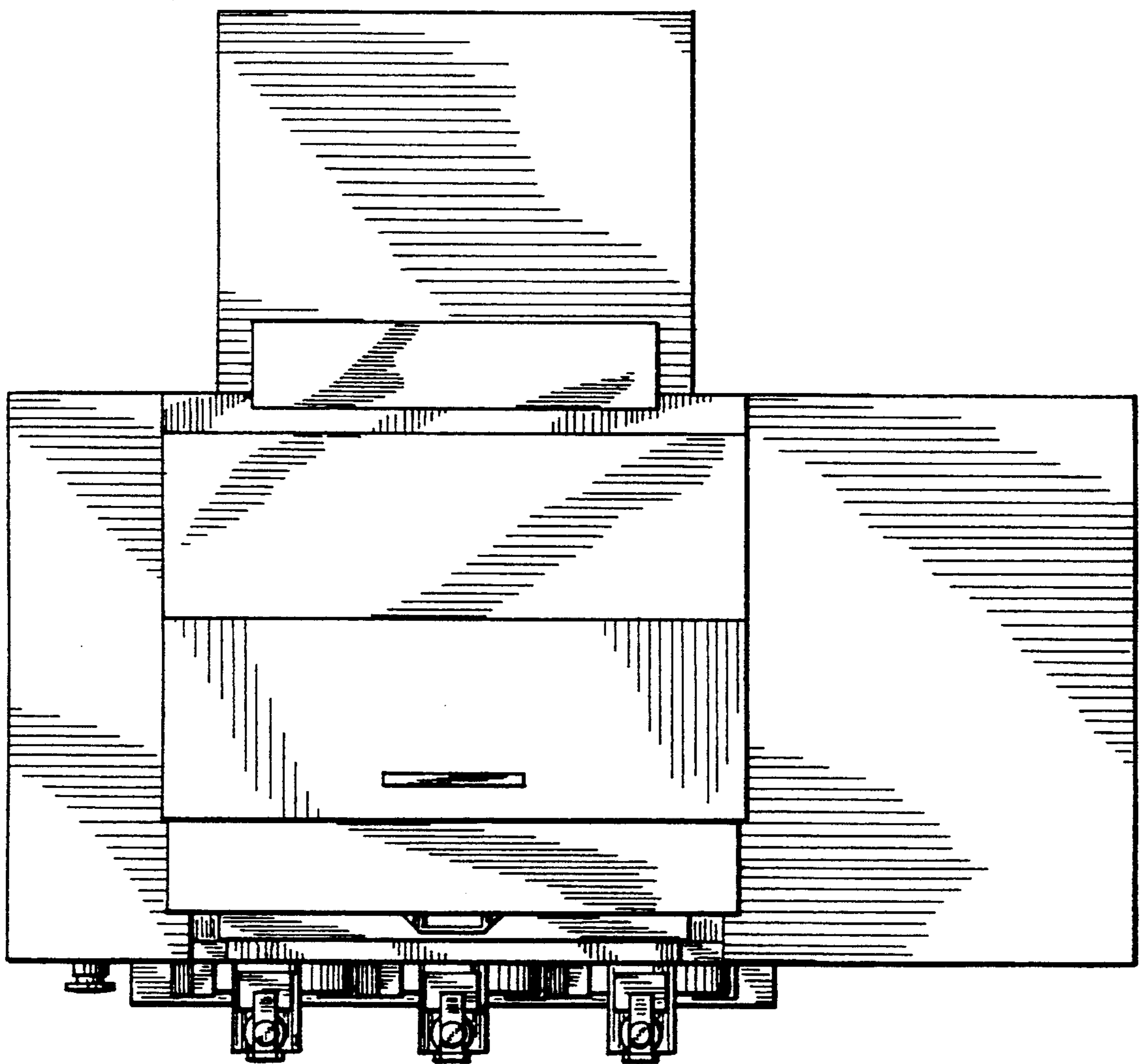


FIG. 6