



US00D350980S

United States Patent [19] Kobayashi

[11] Patent Number: **Des. 350,980**
[45] Date of Patent: **** Sep. 27, 1994**

[54] **PRINTER FOR A PERSONAL COMPUTER**

[75] Inventor: **Makoto Kobayashi**, Nagano, Japan

[73] Assignee: **Seiko Epson Corporation**, Tokyo, Japan

[**] Term: **14 Years**

[21] Appl. No.: **2,648**

[22] Filed: **Dec. 15, 1992**

[30] **Foreign Application Priority Data**

Jun. 18, 1992 [JP] Japan 4-18071

[52] U.S. Cl. **D18/55**

[58] Field of Search 400/690.1-690.4,
400/691-694, 613, 613.1-613.4; D18/36-39,
50, 53-55

[56] **References Cited**

U.S. PATENT DOCUMENTS

D. 305,774 1/1990 Yomo D18/55
D. 322,274 12/1991 Tokuda et al. D18/54
D. 338,033 8/1993 Yoshida et al. D18/55
D. 340,259 10/1993 Etou et al. D18/55
4,763,135 8/1988 Shimode et al. D18/55

FOREIGN PATENT DOCUMENTS

8900464 9/1989 Fed. Rep. of
Germany D18/G1690.4,
400 55
5940888 8/1986 Japan D18/f Germany
6014682 10/1988 Japan D18/f Germany

OTHER PUBLICATIONS

Global Computer Supplies Catalog; Mar. 1988; p. 17;
Hewlet-Packard Laser Jet Series II Printer.

Mannesman Tally brochure; May 1992; cover photo;
MT 908 Laser Printer.

Dell Catalog; p. 16; Texas Instruments Microlaser Plus
Printer.

Ginicom 5010 brochure; p. 5.

Canon LBP-8II Laser Beam Printer brochure; 1987;
cover photo.

Daisywriter Data Word Processing System/Printer;
1983.

Canon Fax-730 brochure.

Primary Examiner—Cathy Anne MacCormac

Attorney, Agent, or Firm—Oliff & Berridge

[57] **CLAIM**

The ornamental design for a printer for a personal com-
puter, as shown and described.

DESCRIPTION

FIG. 1 is a top plan view of the printer for a personal
computer;

FIG. 2 is a bottom plan view of the printer for a per-
sonal computer;

FIG. 3 is a front elevational view of the printer for a
personal computer;

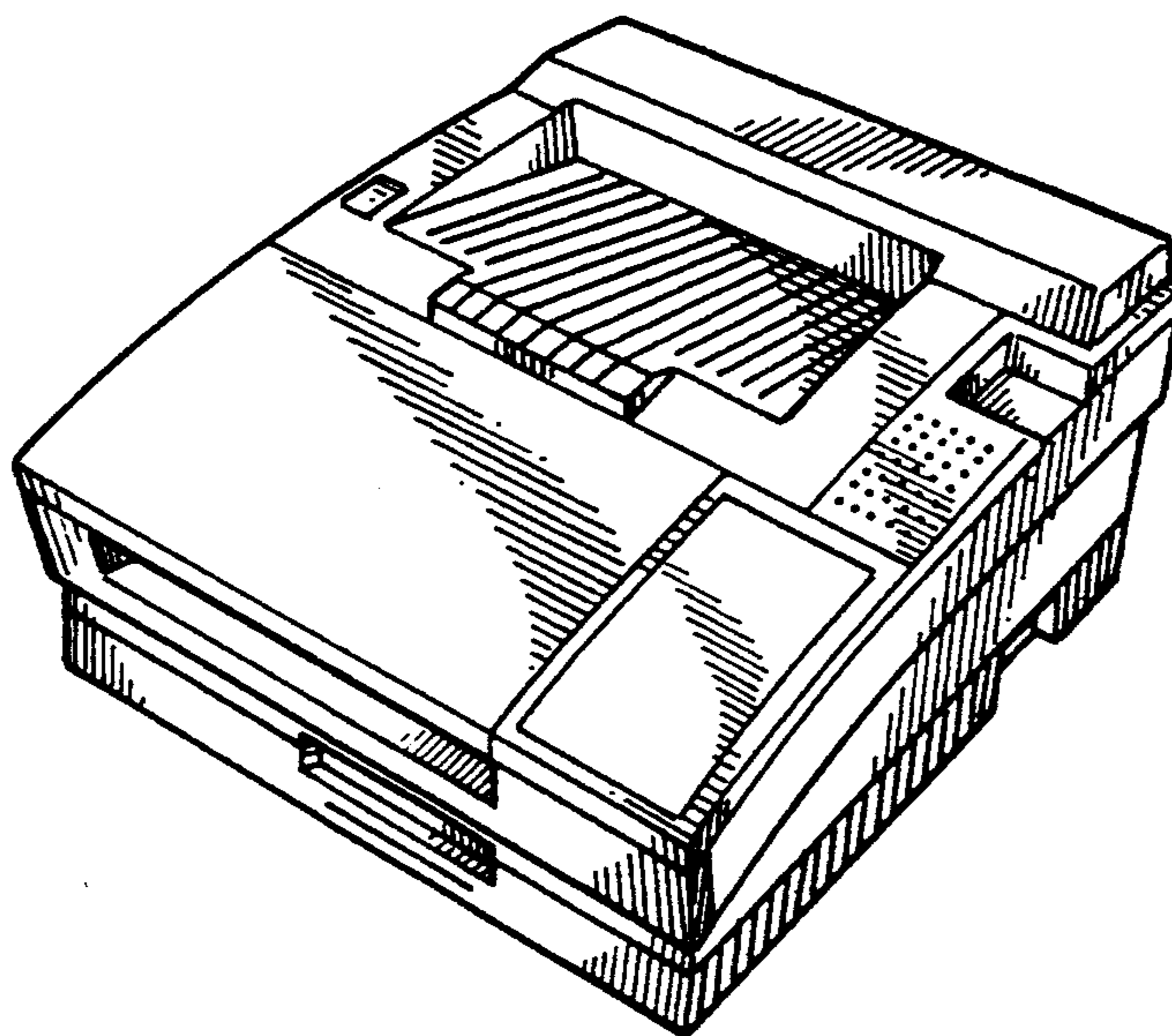
FIG. 4 is a rear elevational view of the printer for a
personal computer;

FIG. 5 is a left side view of the printer for a personal
computer;

FIG. 6 is a right side view of the printer for a personal
computer;

FIG. 7 is a cross-sectional view of the printer for a
personal computer taken along the line 7-7 of FIG. 1;
and,

FIG. 8 is a perspective view of the printer for a personal
computer.



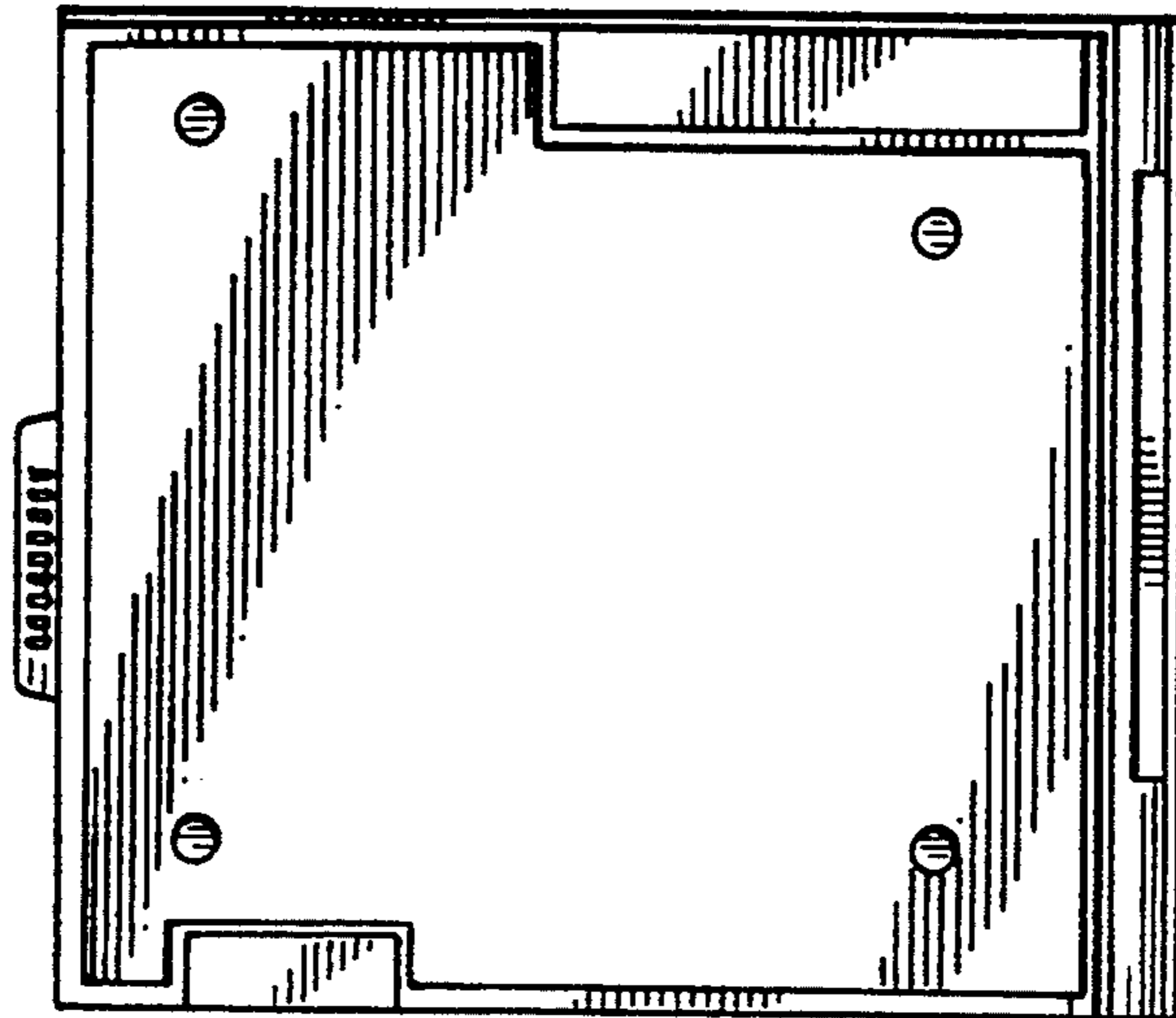


FIG. 2

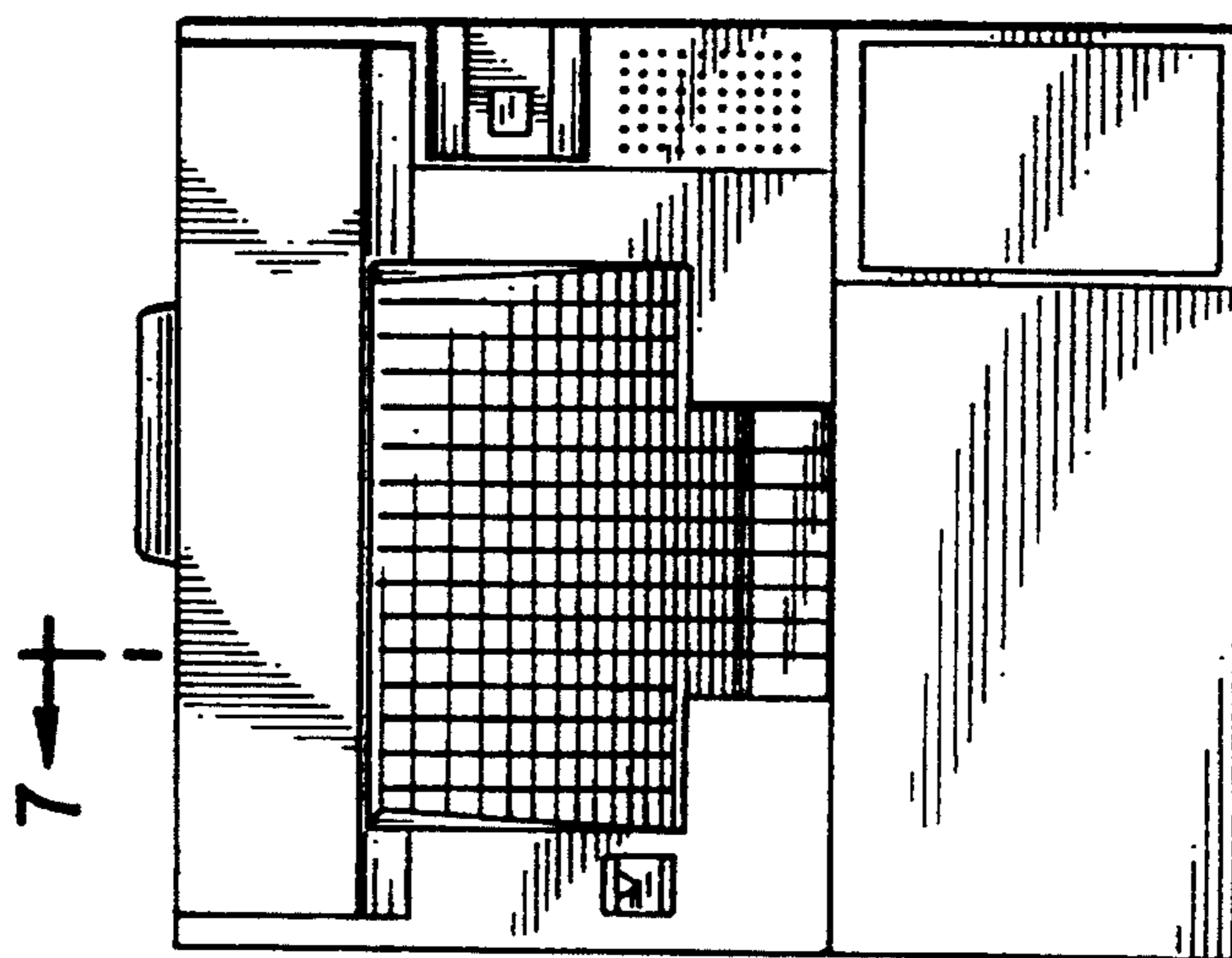


FIG. 1

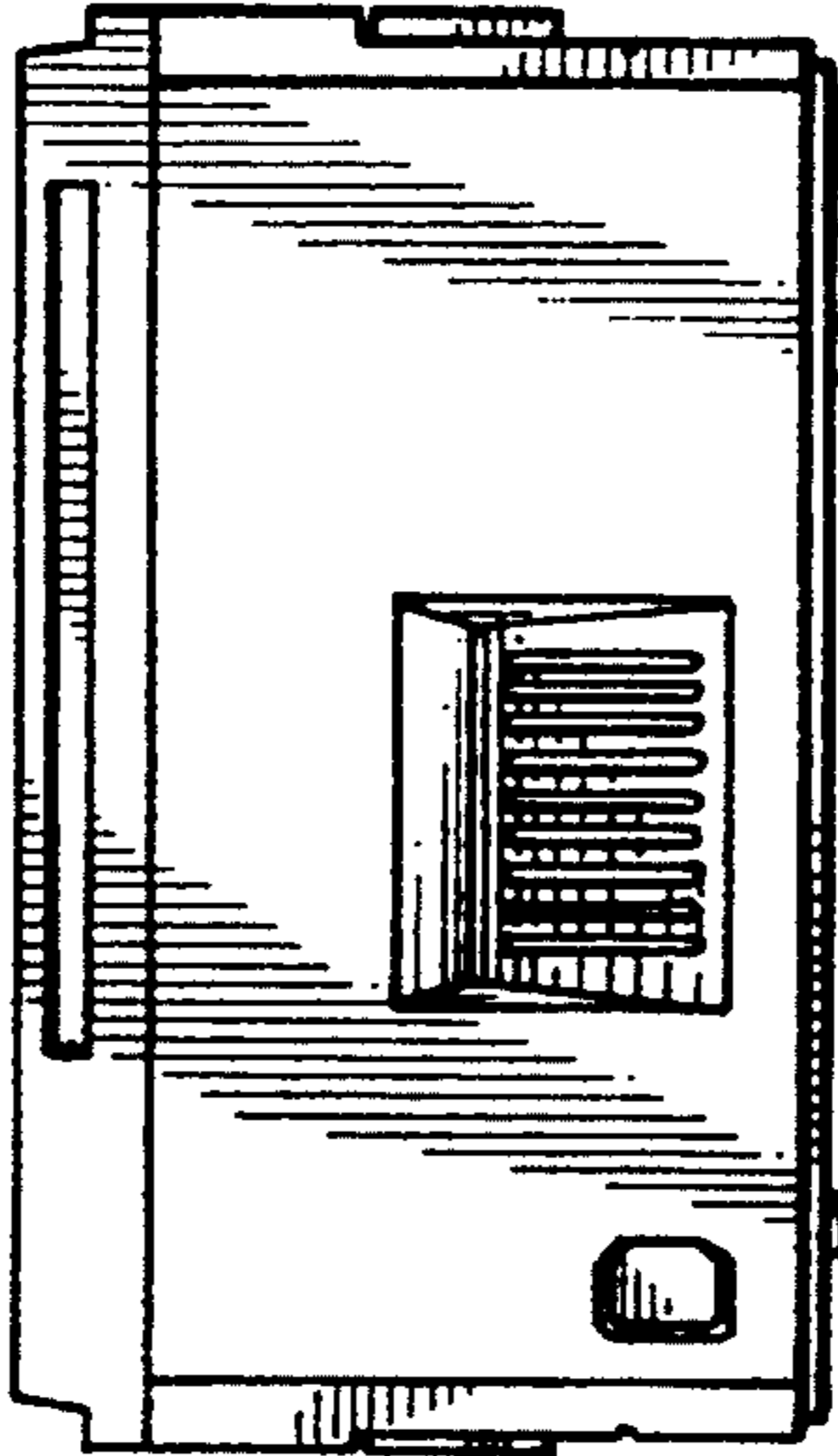


FIG. 4

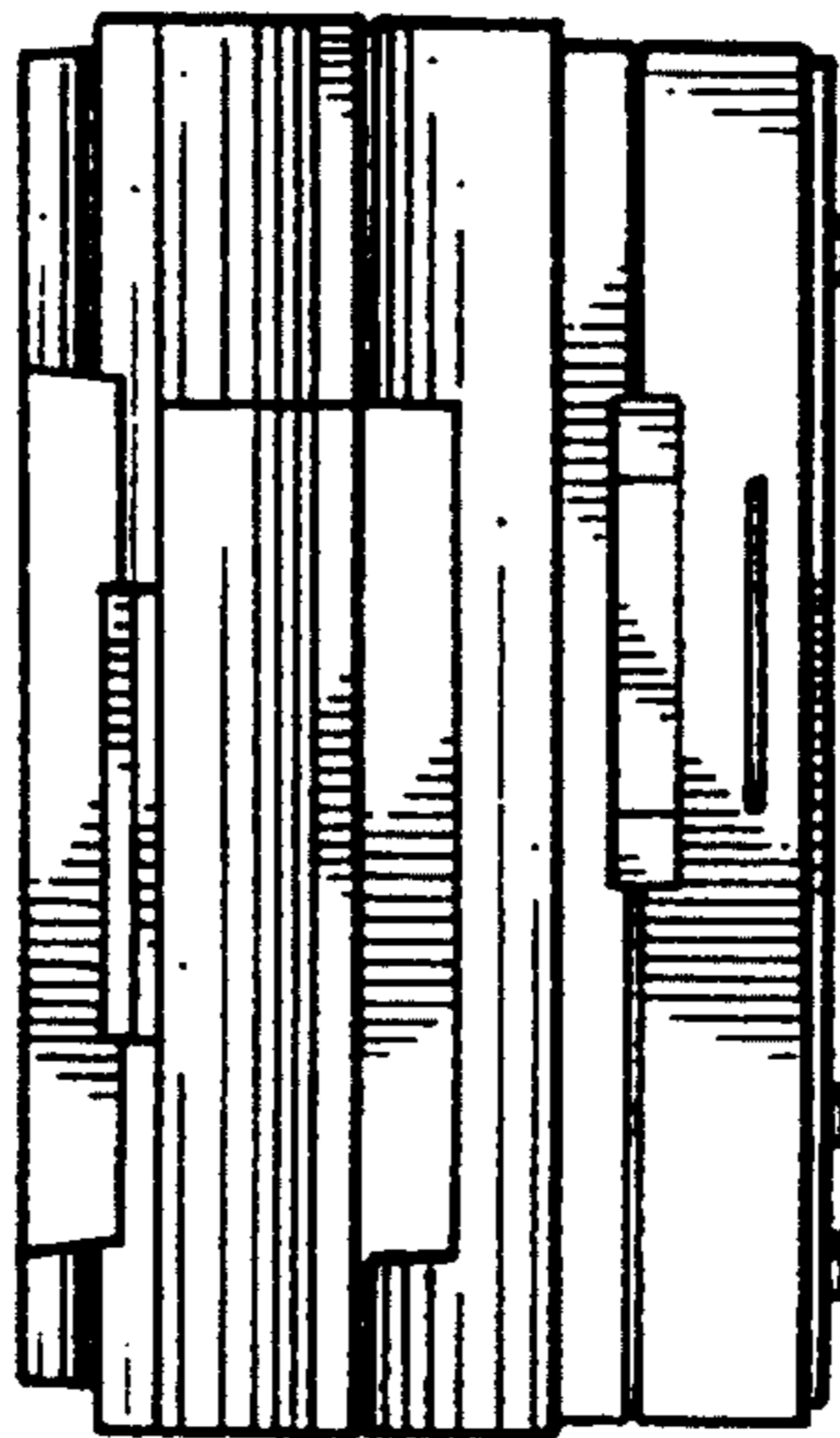


FIG. 3

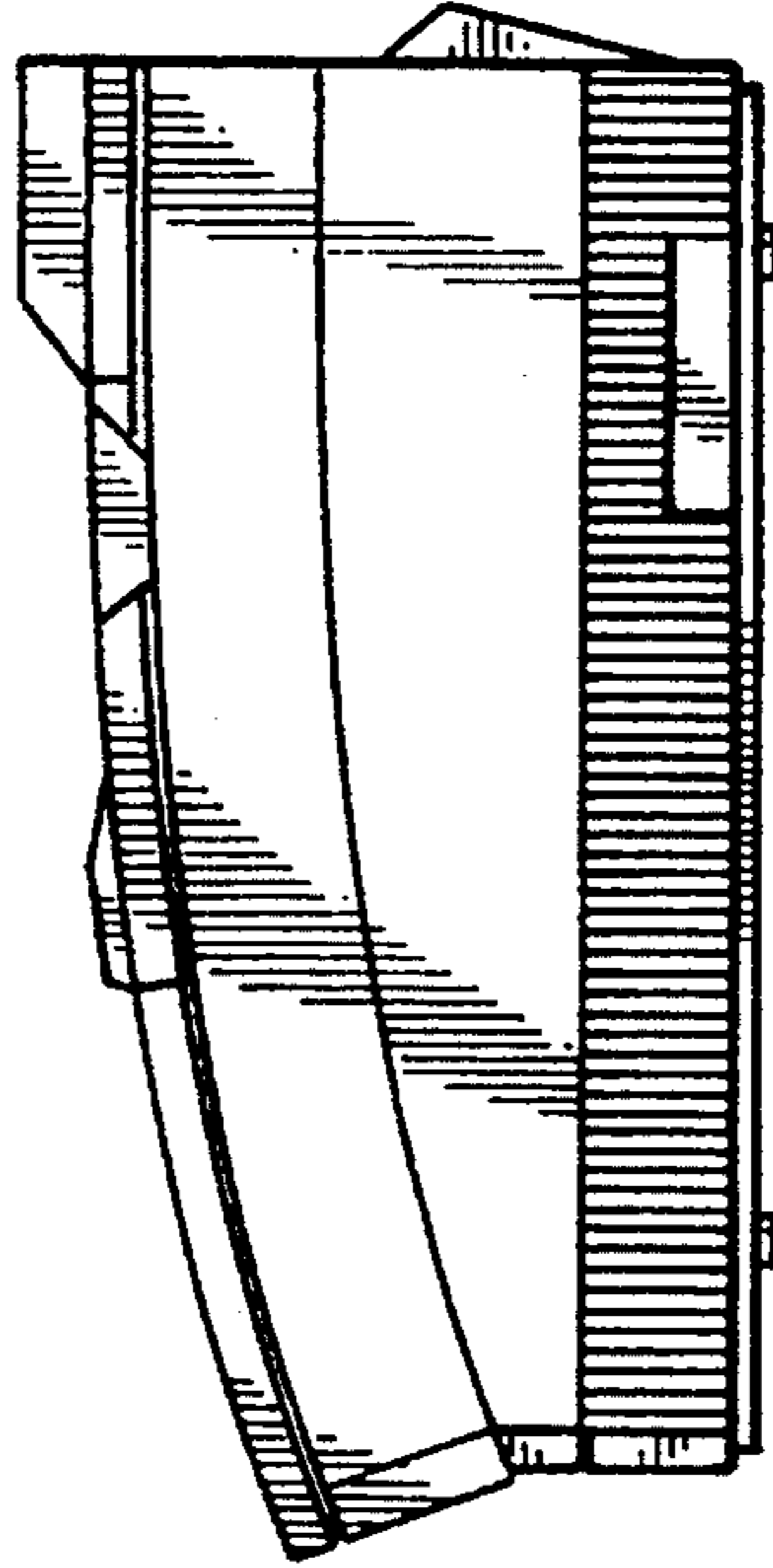


FIG. 6

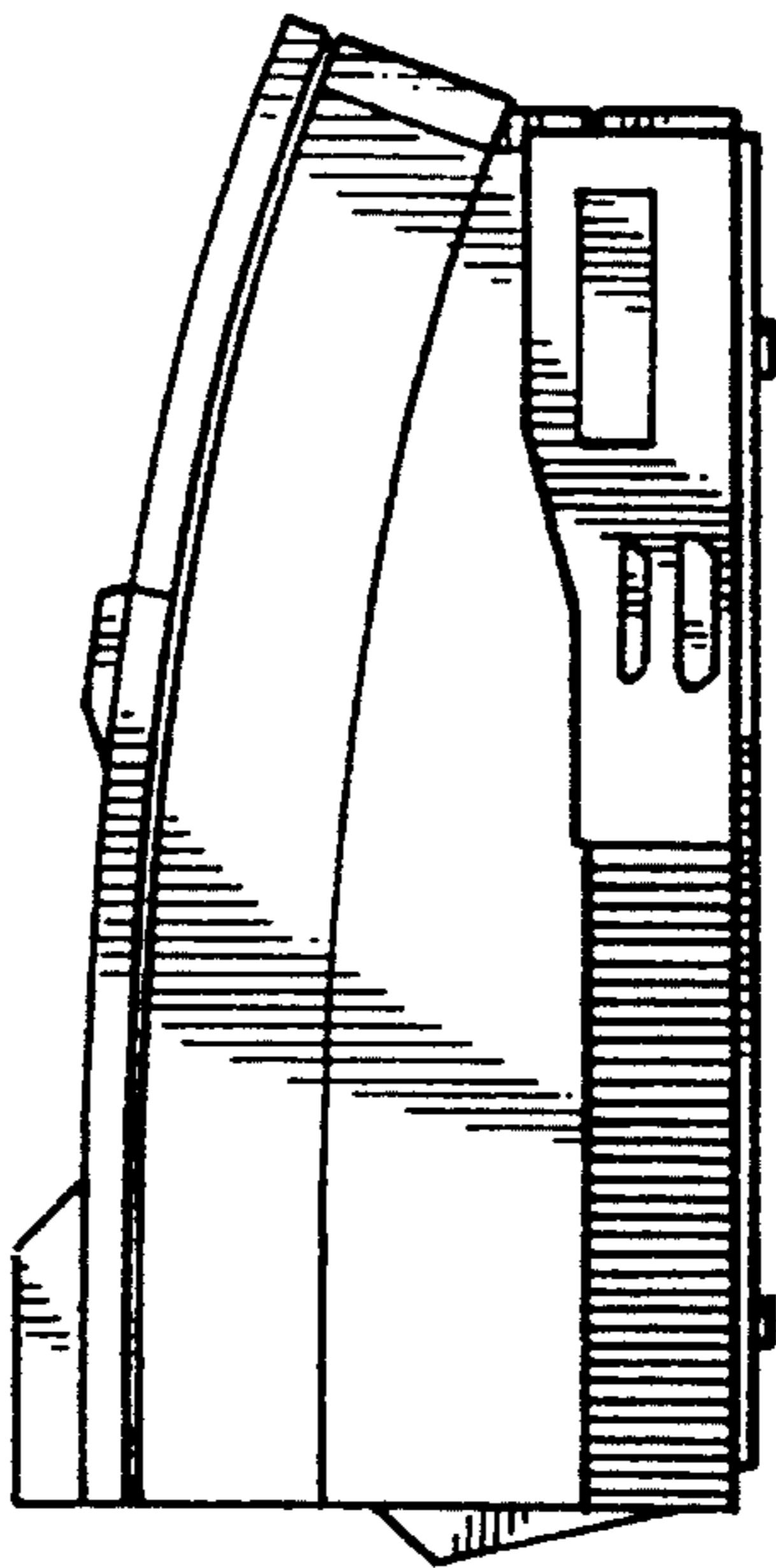


FIG. 5

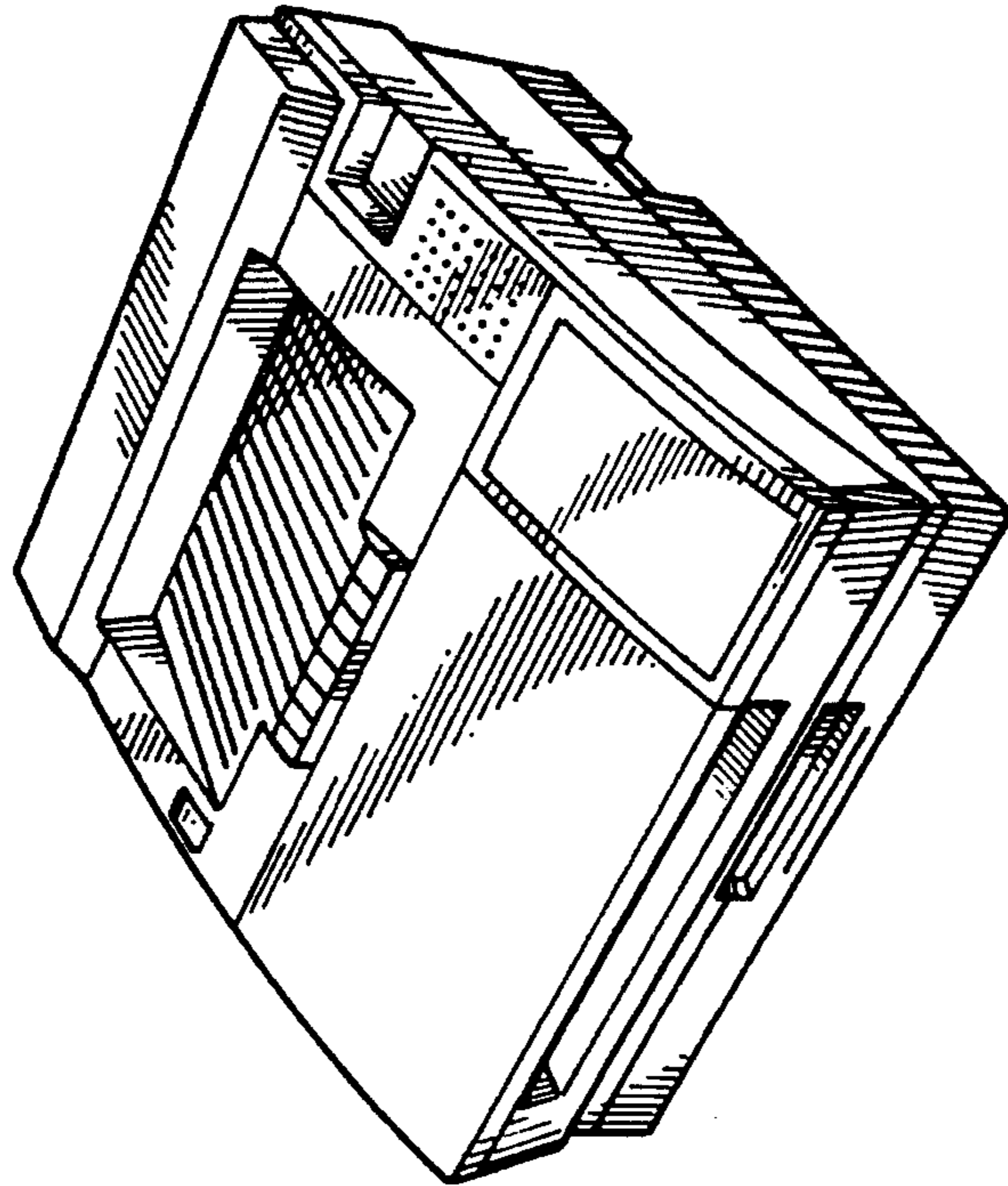


FIG. 8

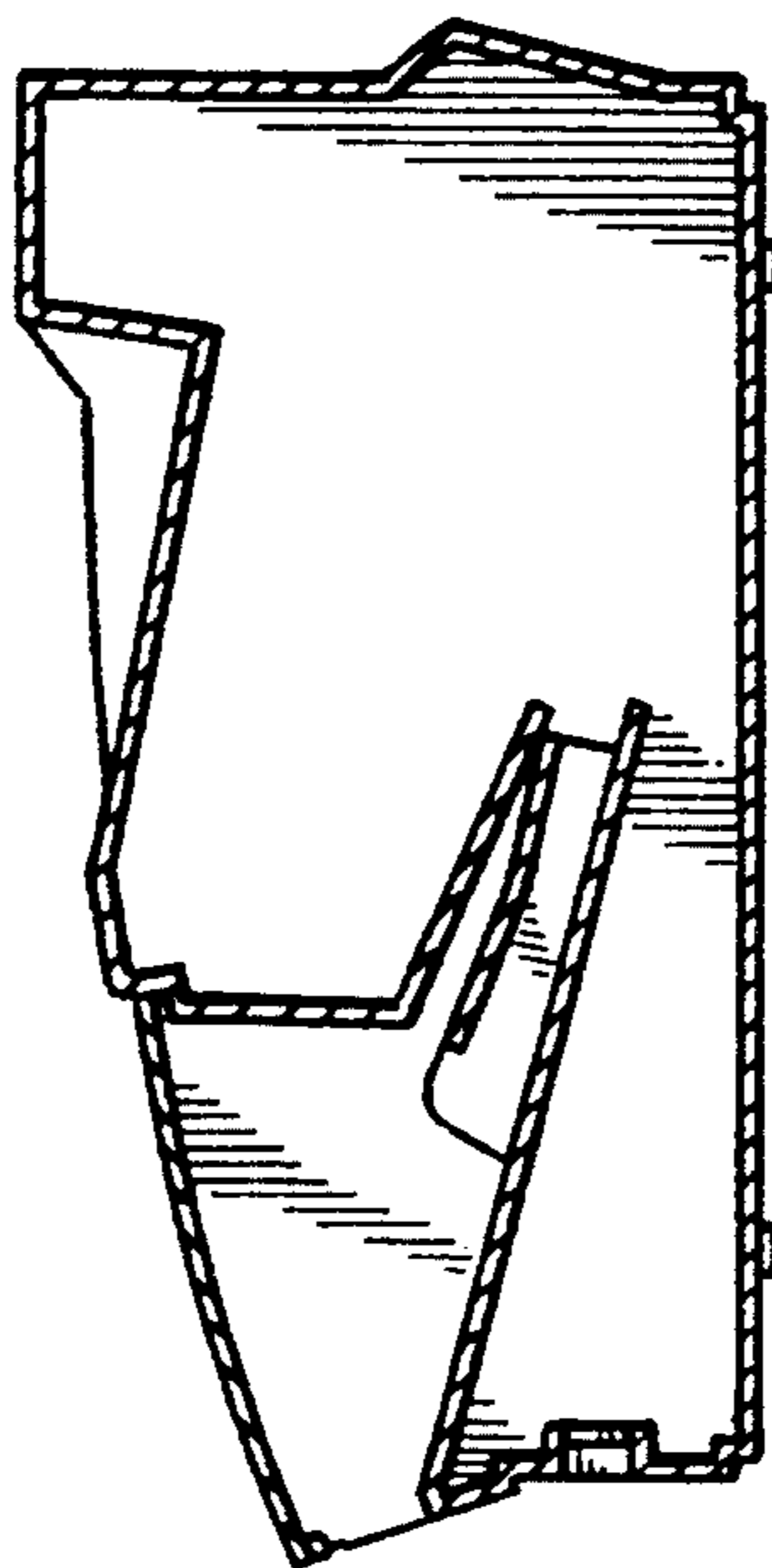


FIG. 7