



US00D350973S

# United States Patent [19]

Lucker

[11] Patent Number: Des. 350,973

[45] Date of Patent: \*\* Sep. 27, 1994

[54] **COPYING MACHINE**

[75] Inventor: **Louis J. H. Lucker**, Belfeld, Netherlands

[73] Assignee: **OCE-Nederland, B.V.**, Venlo, Netherlands

[\*\*] Term: **14 Years**

[21] Appl. No.: **930,212**

[22] Filed: **Aug. 14, 1992**

[30] **Foreign Application Priority Data**

Feb. 14, 1992 [NL] Netherlands ..... 67359-00

[52] U.S. Cl. .... **D18/39; D10/46; D18/36**

[58] Field of Search ..... 33/1 M; 346/29, 112, 346/145, 146; 400/283; D18/36-39; D10/46

[56] **References Cited**

**U.S. PATENT DOCUMENTS**

D. 212,050 8/1968 Nederlof et al. .... D18/39

D. 228,152 8/1973 Matwey ..... D18/39

D. 231,267 4/1974 Matwey ..... D18/36

D. 237,830 11/1975 Van Acker et al. .... D18/36

D. 305,208 12/1989 Ross et al. .... D10/46

*Primary Examiner*—Alan P. Douglas  
*Assistant Examiner*—Caron D. Veynar  
*Attorney, Agent, or Firm*—Birch, Stewart, Kolasch & Birch

[57] **CLAIM**

The ornamental design for a copying machine, as shown and described.

**DESCRIPTION**

FIG. 1 is a perspective view of a copying machine showing my new design;

FIG. 2 is a front view thereof;

FIG. 3 is a rear view thereof;

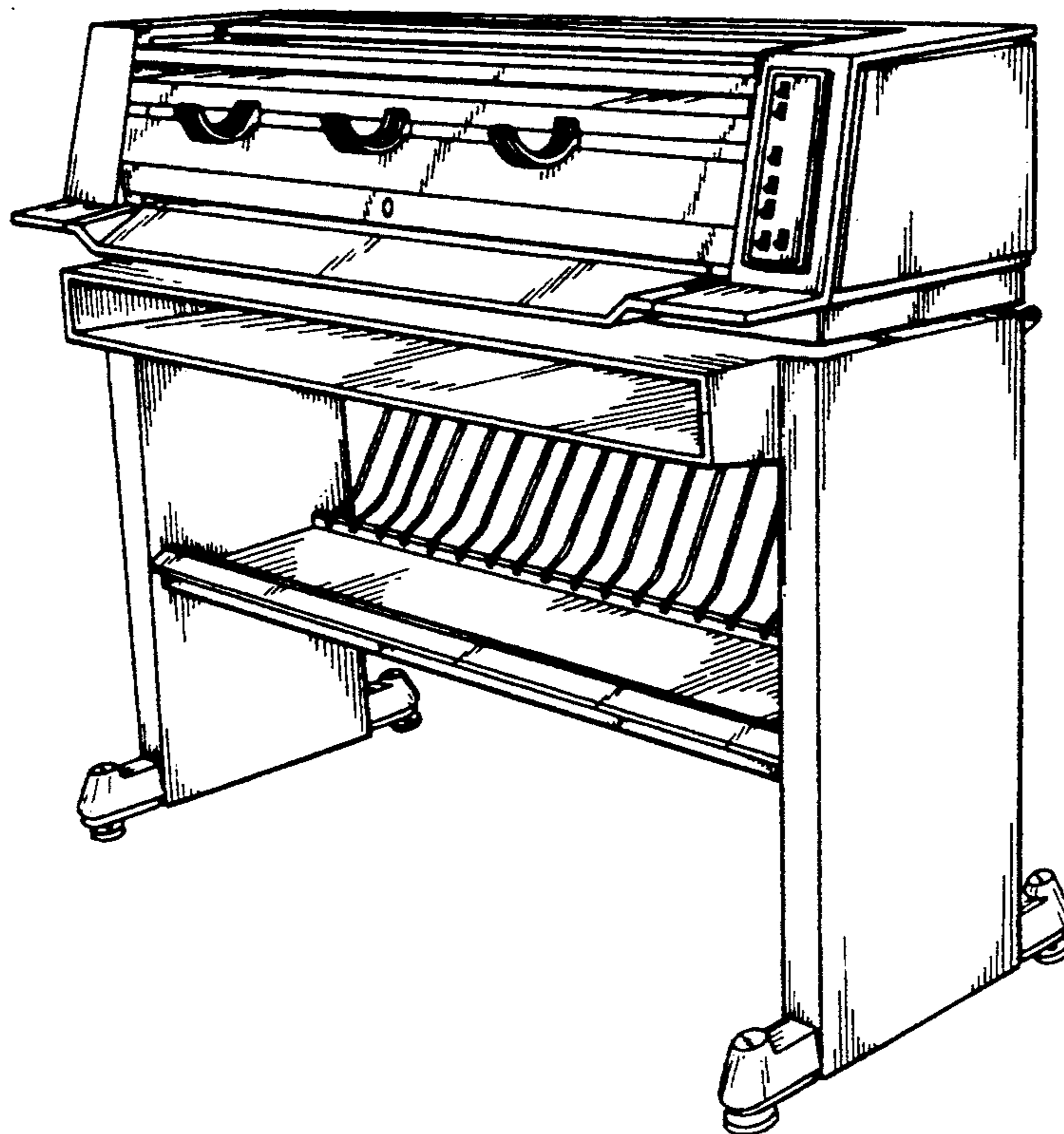
FIG. 4 is a left side view thereof;

FIG. 5 is a right side view thereof;

FIG. 6 is a left side view thereof, with the copyrack removed;

FIG. 7 is a top plan view thereof; and,

FIG. 8 is a bottom view thereof.



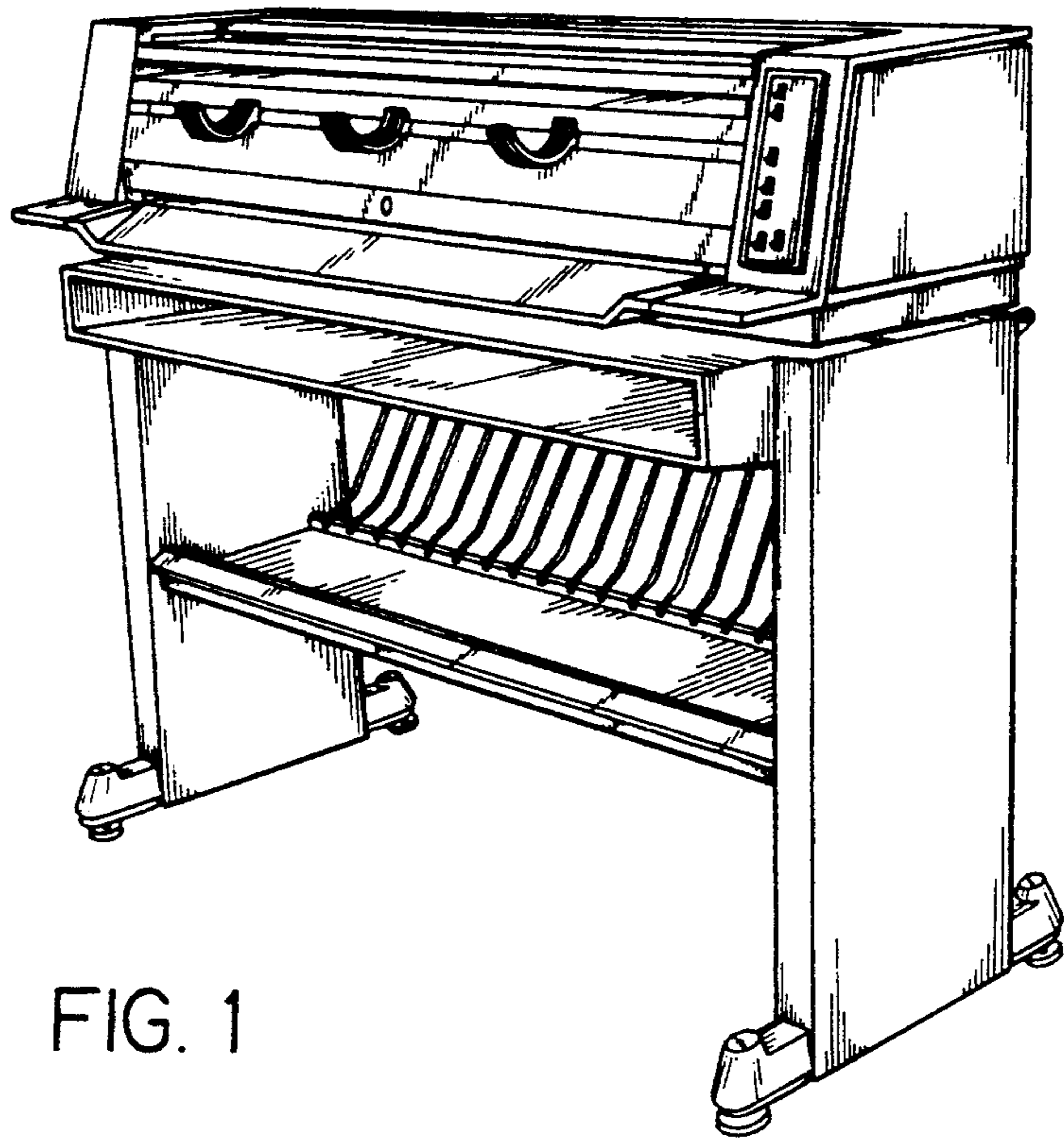


FIG. 1

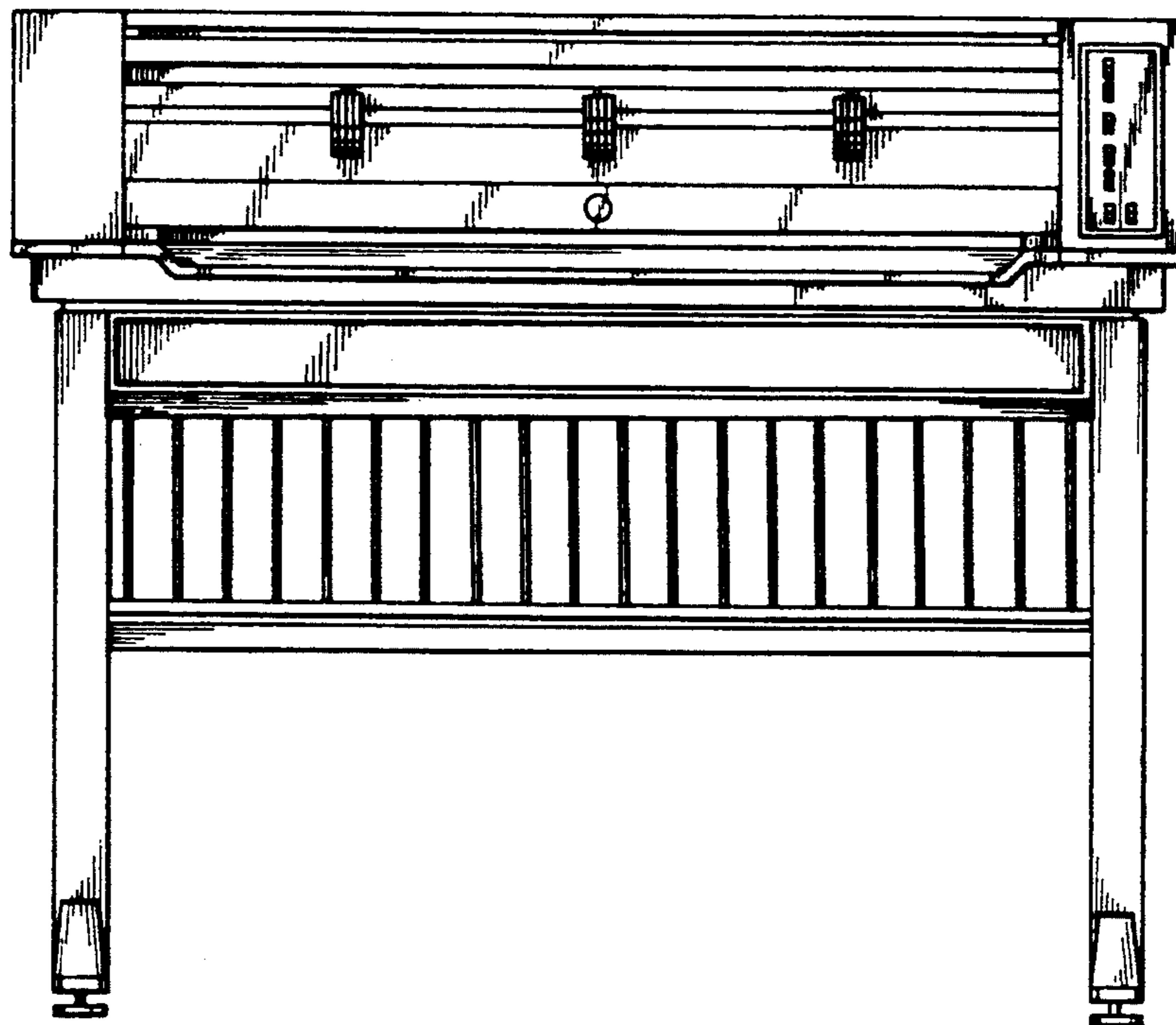


FIG. 2

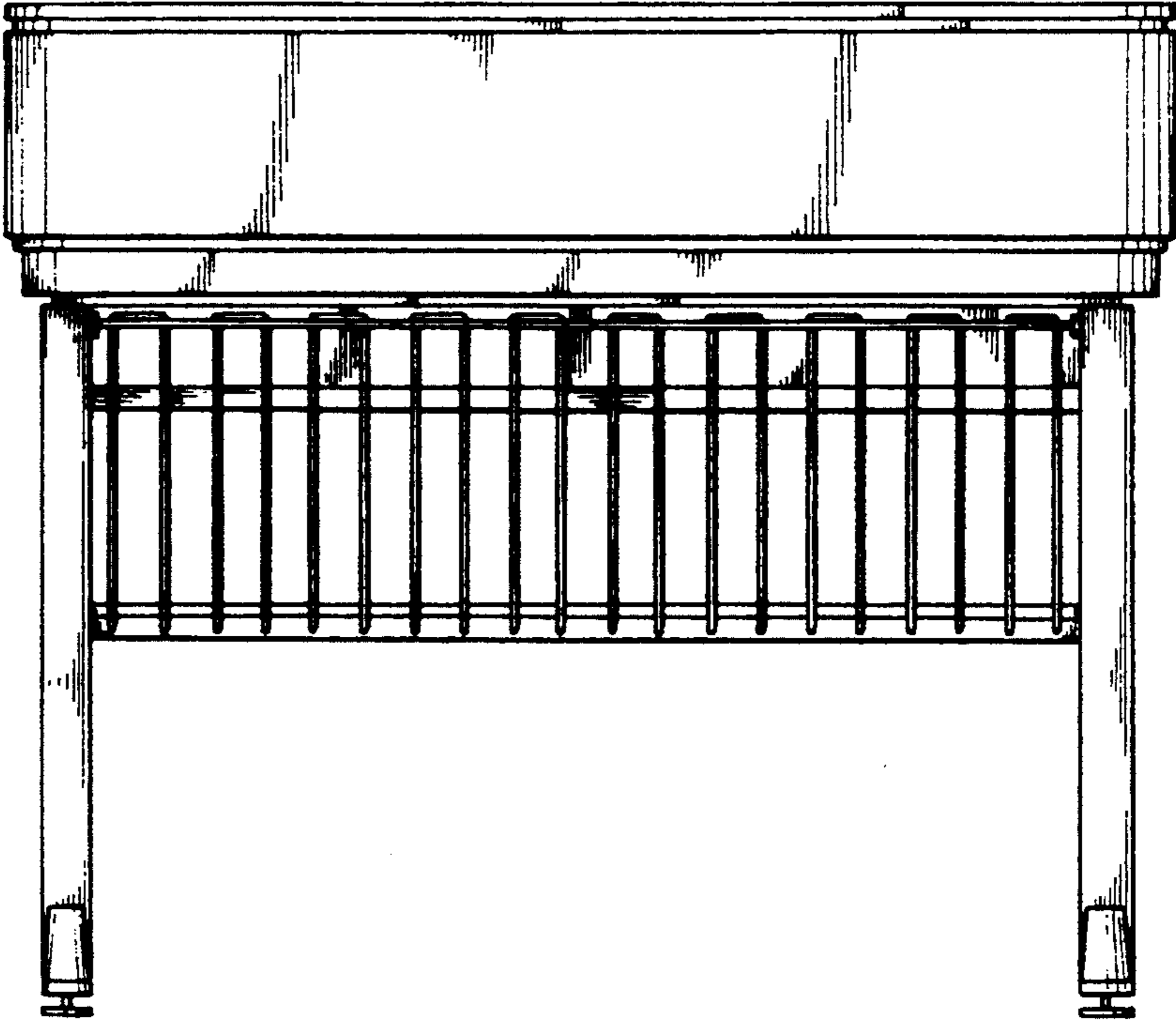


FIG. 3

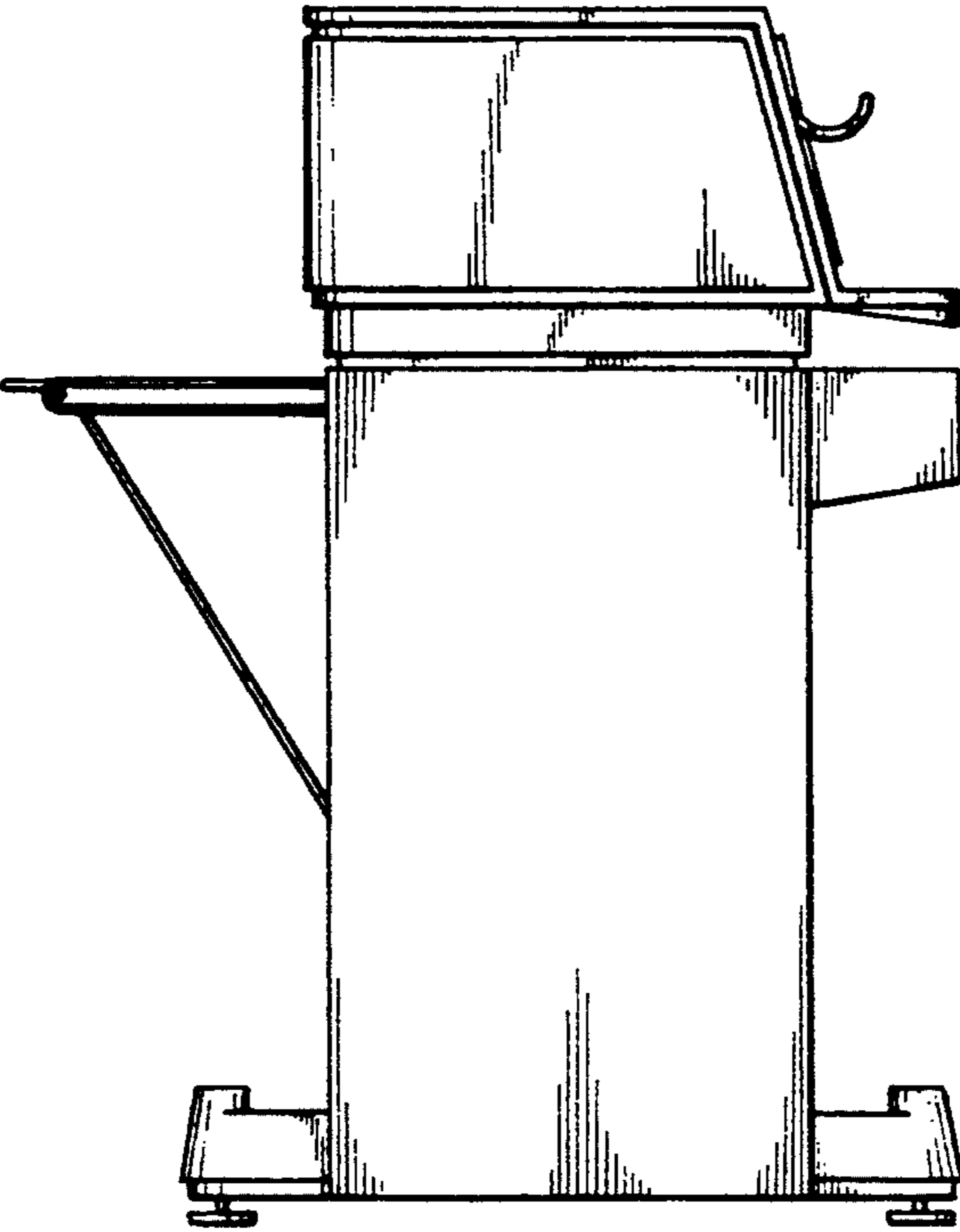


FIG. 4

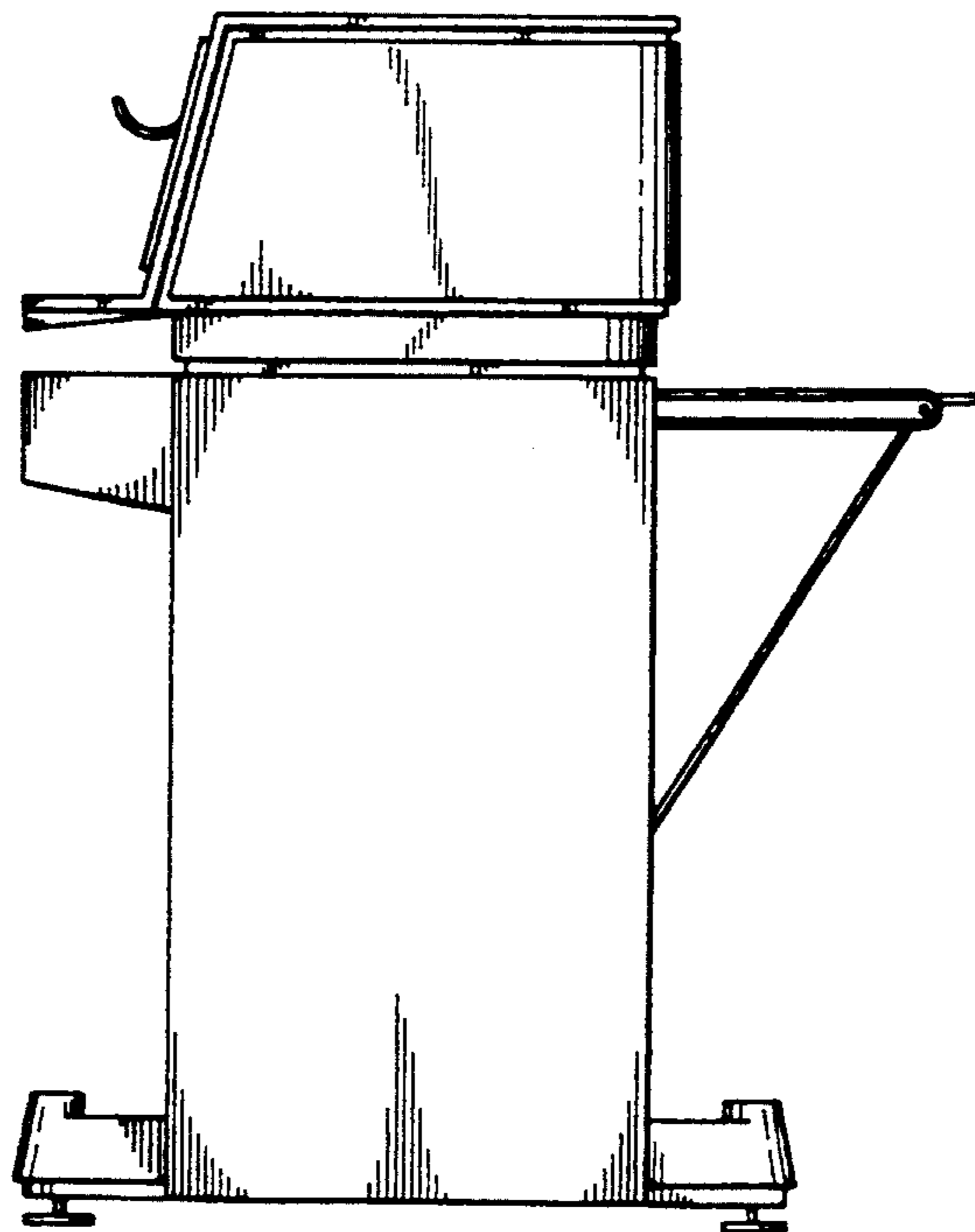


FIG. 5

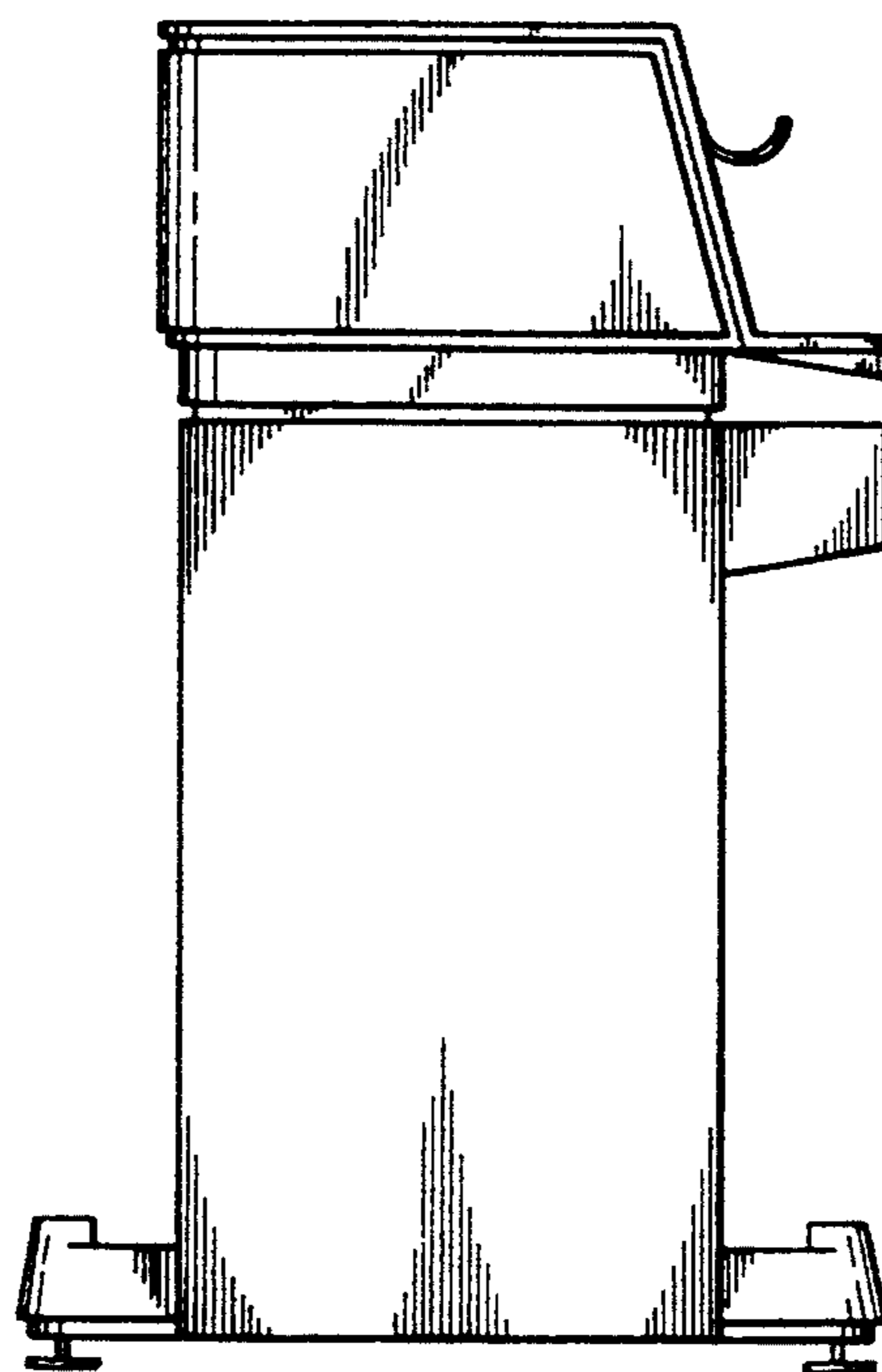


FIG. 6

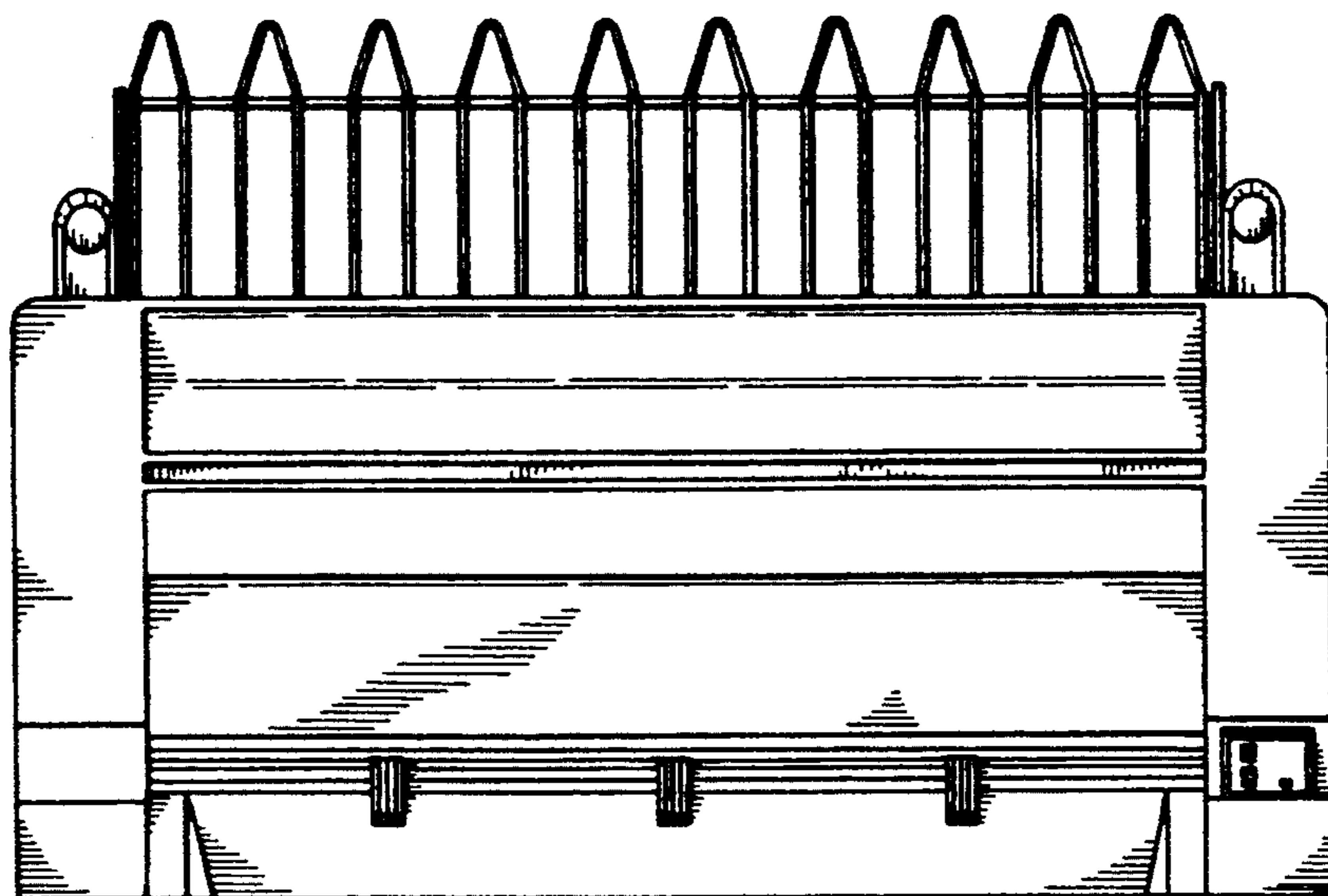


FIG. 7

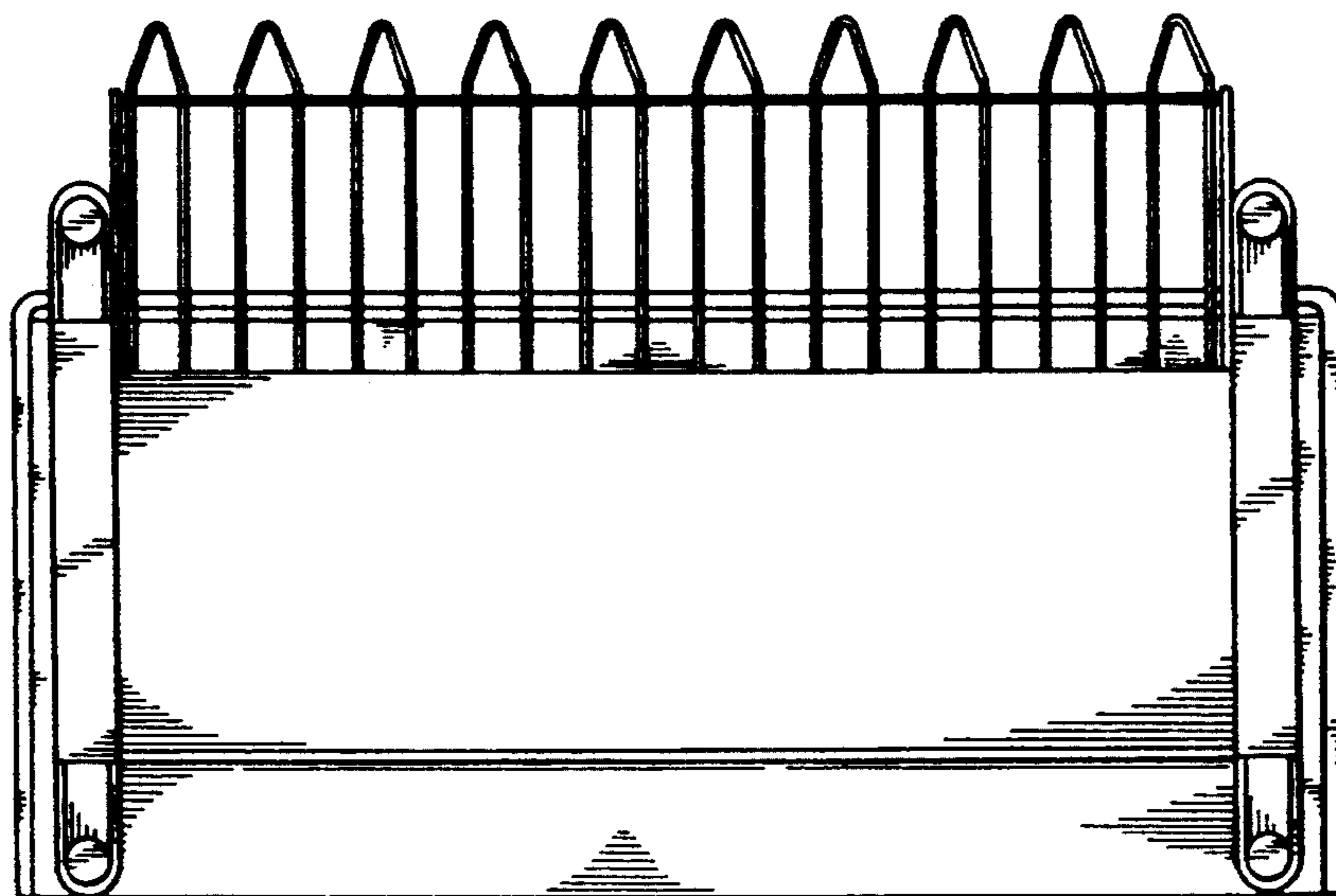


FIG. 8