



US00D350971S

# United States Patent [19]

[11] Patent Number: **Des. 350,971**

Lassberg

[45] Date of Patent: **\*\* Sep. 27, 1994**

[54] **CALCULATOR FOR SPIRAL BOUND/RING BINDER NOTEBOOK ORGANIZER**

[56] **References Cited  
PUBLICATIONS**

[76] Inventor: **Katrina A. Lassberg**, 13502 Alchester La., Houston, Tex. 77079

Hong Kong Enterprise, Nov. 1987; p. 114 Notebook Calculator.  
Mail Order brochure for Signatures; ©1989; Notebook Calculator.

[\*\*] Term: **14 Years**

*Primary Examiner*—Alan P. Douglas  
*Assistant Examiner*—Caron D. Veynar

[21] Appl. No.: **2,289**

[57] **CLAIM**

The ornamental design for a calculator for spiral bound/ring binder note organizer, as shown.

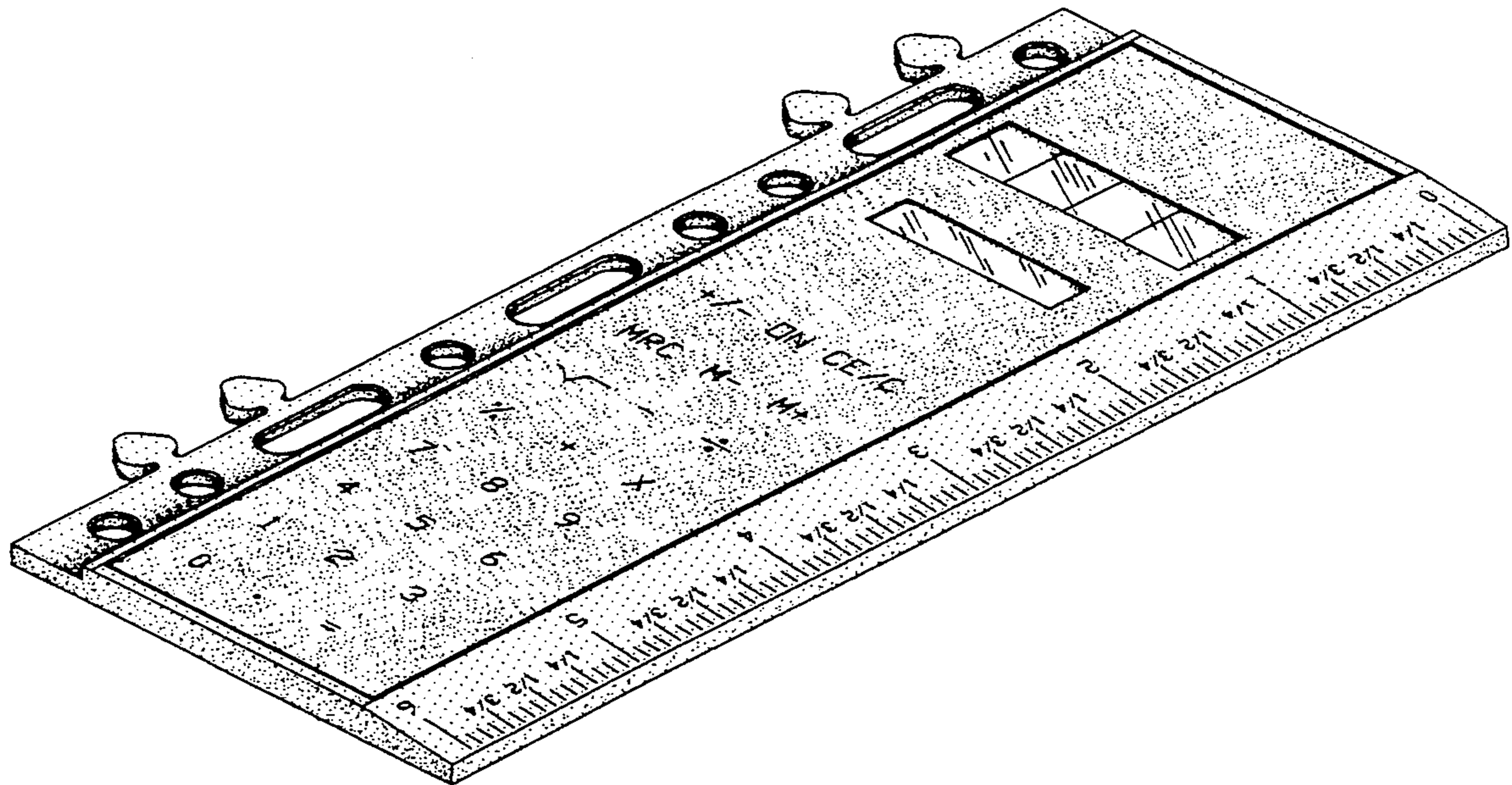
[22] Filed: **Dec. 7, 1992**

**DESCRIPTION**

[52] U.S. Cl. .... **D18/2; D18/6**

FIG. 1 is a front and right side perspective view of a calculator for spiral bound/ring binder notebook organizer showing my new design; and, FIG. 2 is a rear and left side perspective view.

[58] Field of Search ..... 235/61 R; 364/706-710; D18/1, 2, 6, 7, 11; D10/70, 71



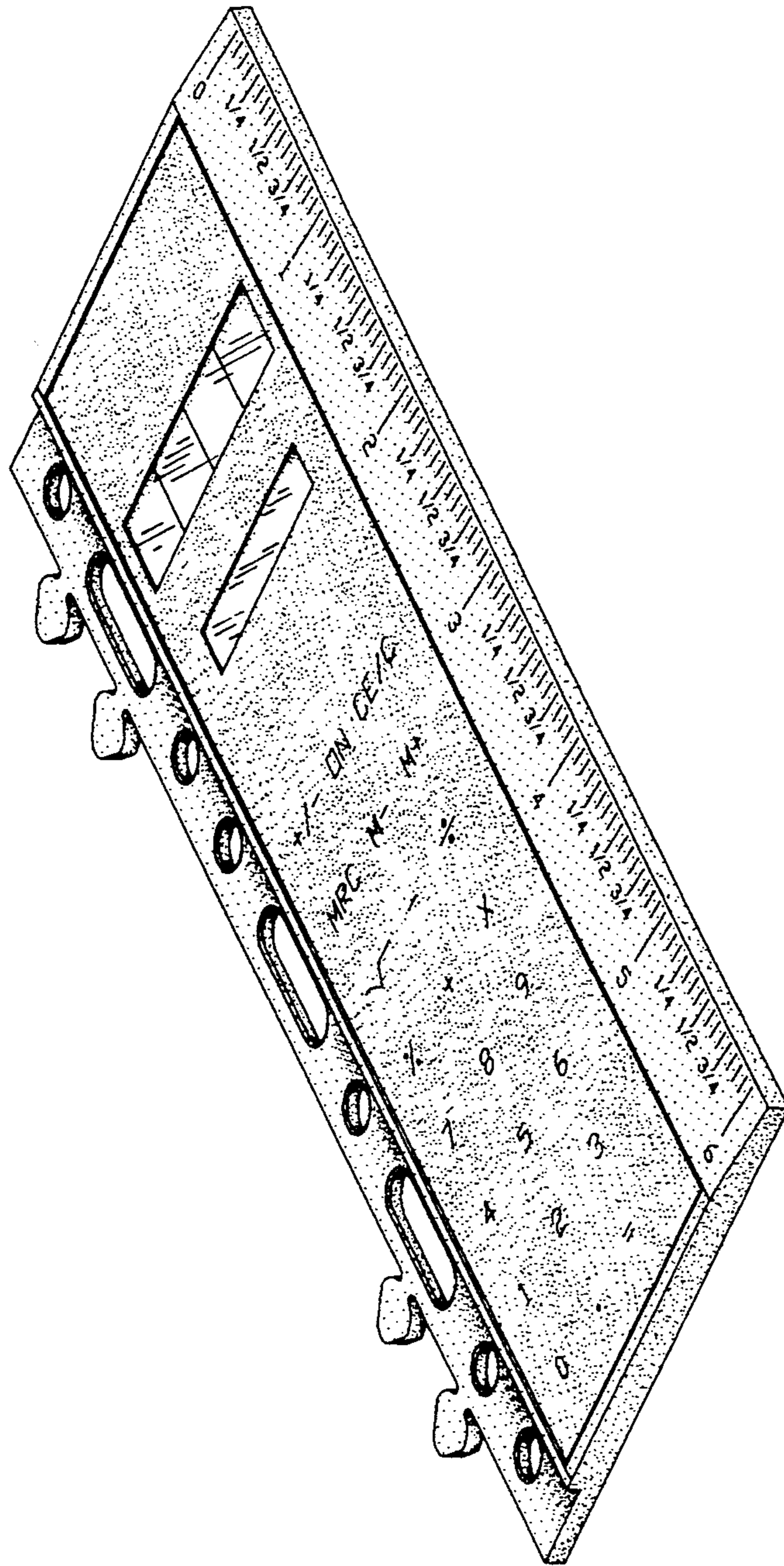


Fig. 1

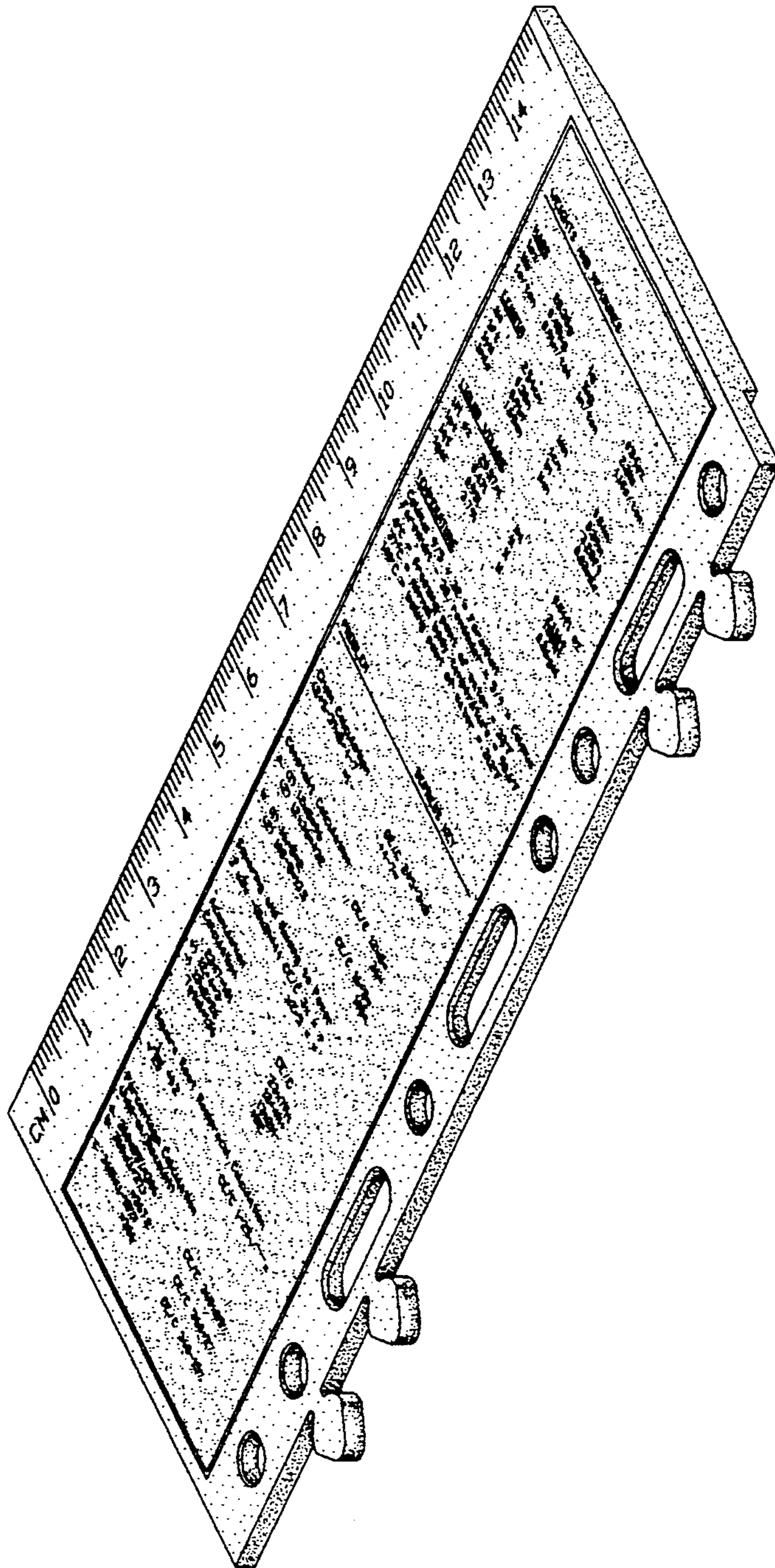


Fig. 2