



US00D350970S

United States Patent [19]

[11] Patent Number: **Des. 350,970**

Usui

[45] Date of Patent: **** Sep. 27, 1994**

[54] **TRIPOD FOR A CAMERA**

[75] Inventor: **Hisaichi Usui, Tama, Japan**

[73] Assignee: **Hakuba Shashin Sangyo Kabushiki Kaisha, Tokyo, Japan**

[**] Term: **14 Years**

[21] Appl. No.: **822,560**

[22] Filed: **Jan. 16, 1992**

[52] U.S. Cl. **D16/244**

[58] Field of Search 248/168-171;
354/81, 293; 352/243; D16/244, 245

[56] **References Cited**

U.S. PATENT DOCUMENTS

D. 299,243	1/1989	Iwasaki	D16/244
798,371	8/1905	Ward	248/168
3,300,165	1/1967	O'Kane	248/168
4,648,698	3/1987	Iwasaki	354/293
4,751,540	6/1988	Jones	354/293

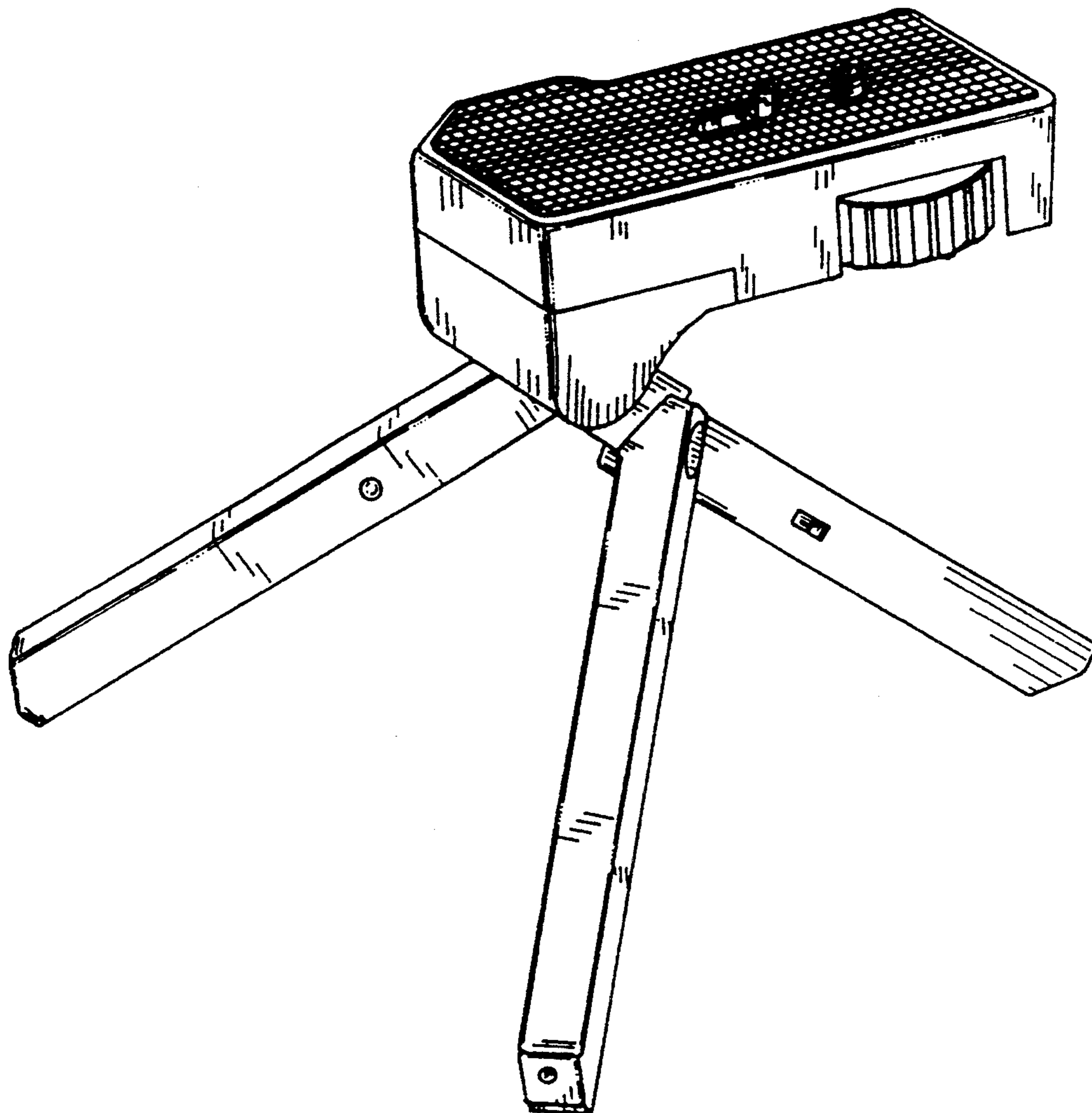
Primary Examiner—Bernard Ansher
Assistant Examiner—Adir Aronovich
Attorney, Agent, or Firm—Lackenbach Siegel Marzullo Aronson & Greenspan

[57] **CLAIM**

The ornamental design for a tripod for a camera, as shown.

DESCRIPTION

FIG. 1 is a top plan view of a tripod for a camera showing my new design;
FIG. 2 is a front elevation view thereof;
FIG. 3 is a bottom plan view thereof;
FIG. 4 is a right side elevation thereof;
FIG. 5 is a rear elevation view thereof;
FIG. 6 is a left side elevation view thereof;
FIG. 7 is a prospective view thereof;
FIG. 8 is a perspective view thereof, with the tripod in an opposite position of that shown in FIG. 7; and,
FIG. 9 is a perspective view with the pan head in a vertical position.



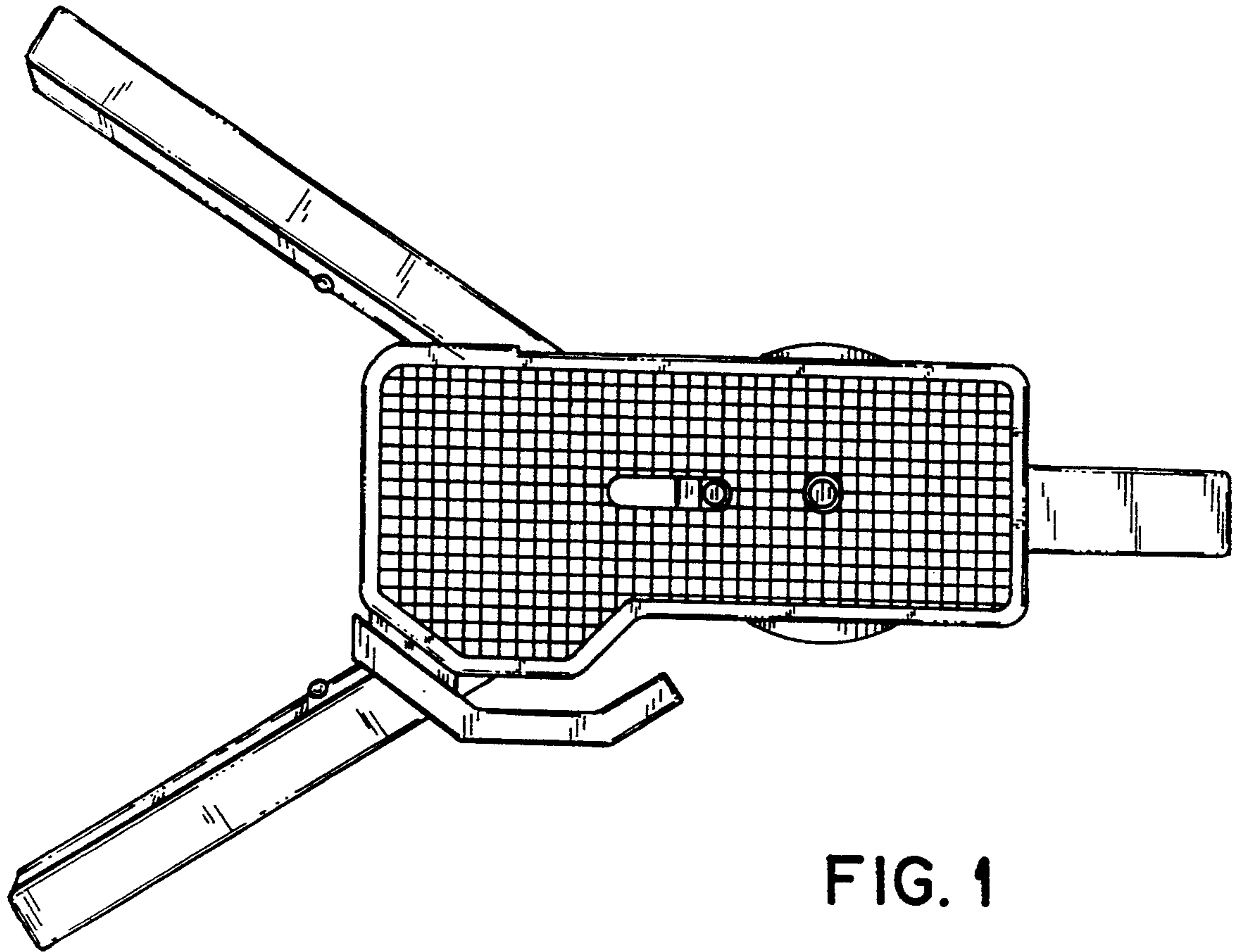


FIG. 1

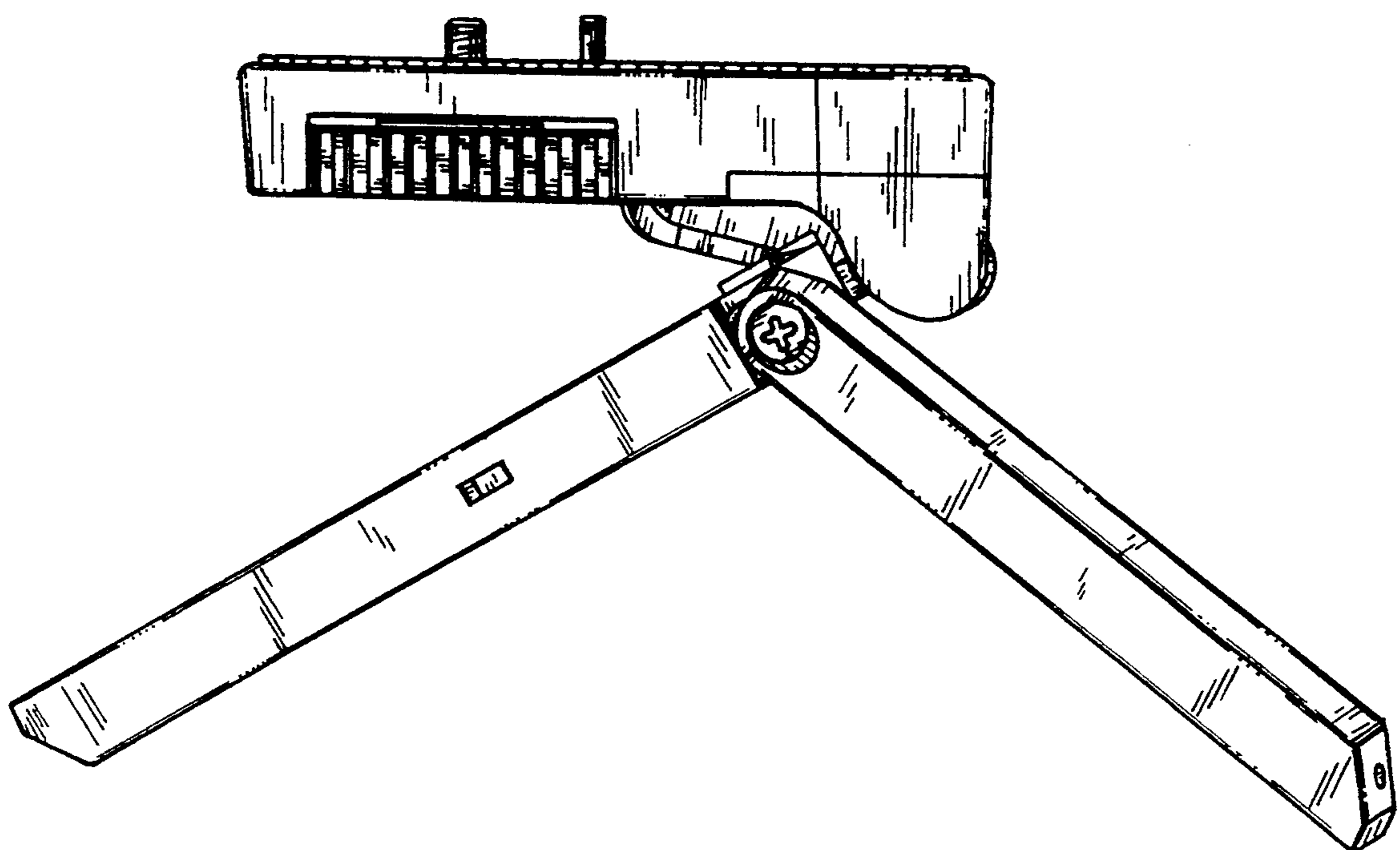


FIG. 5

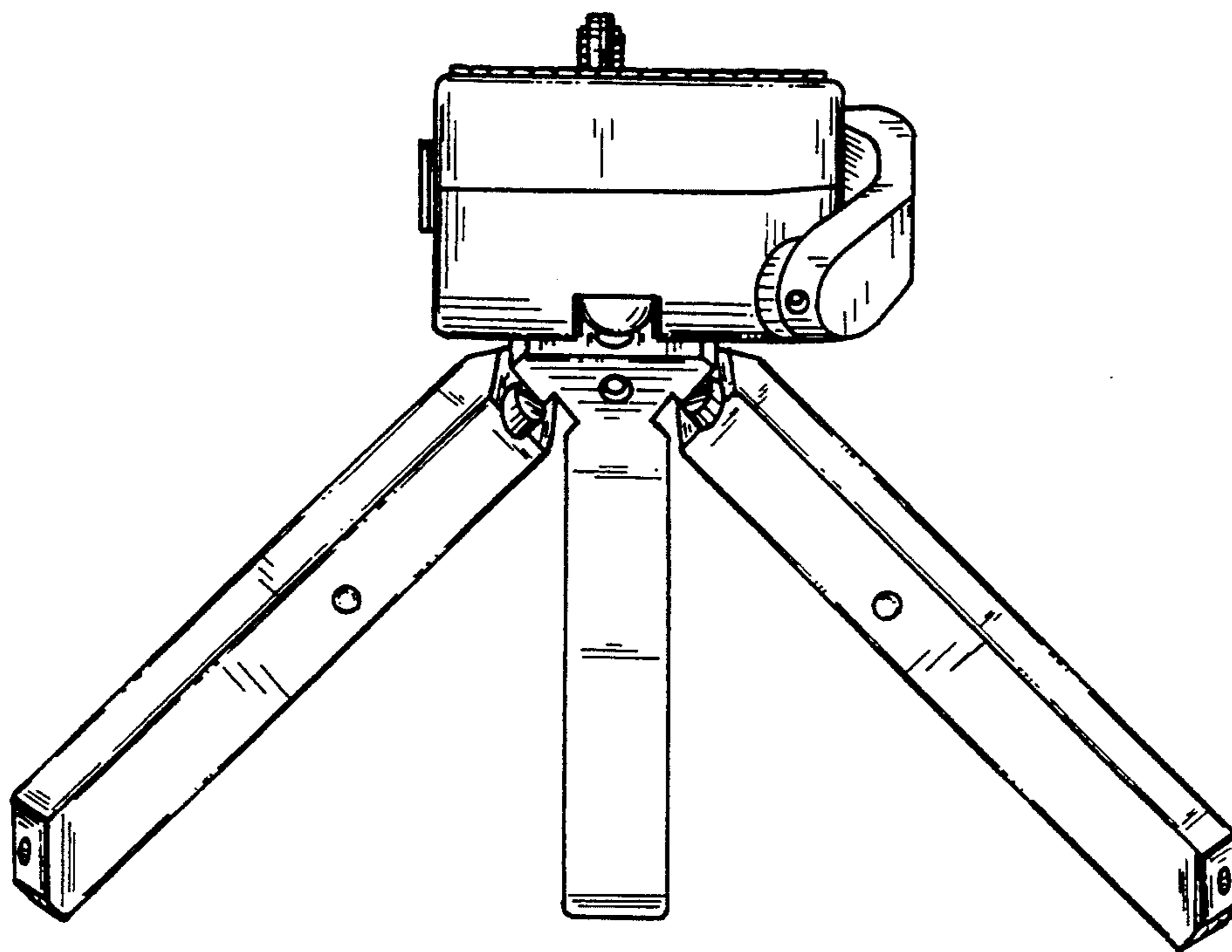


FIG. 6

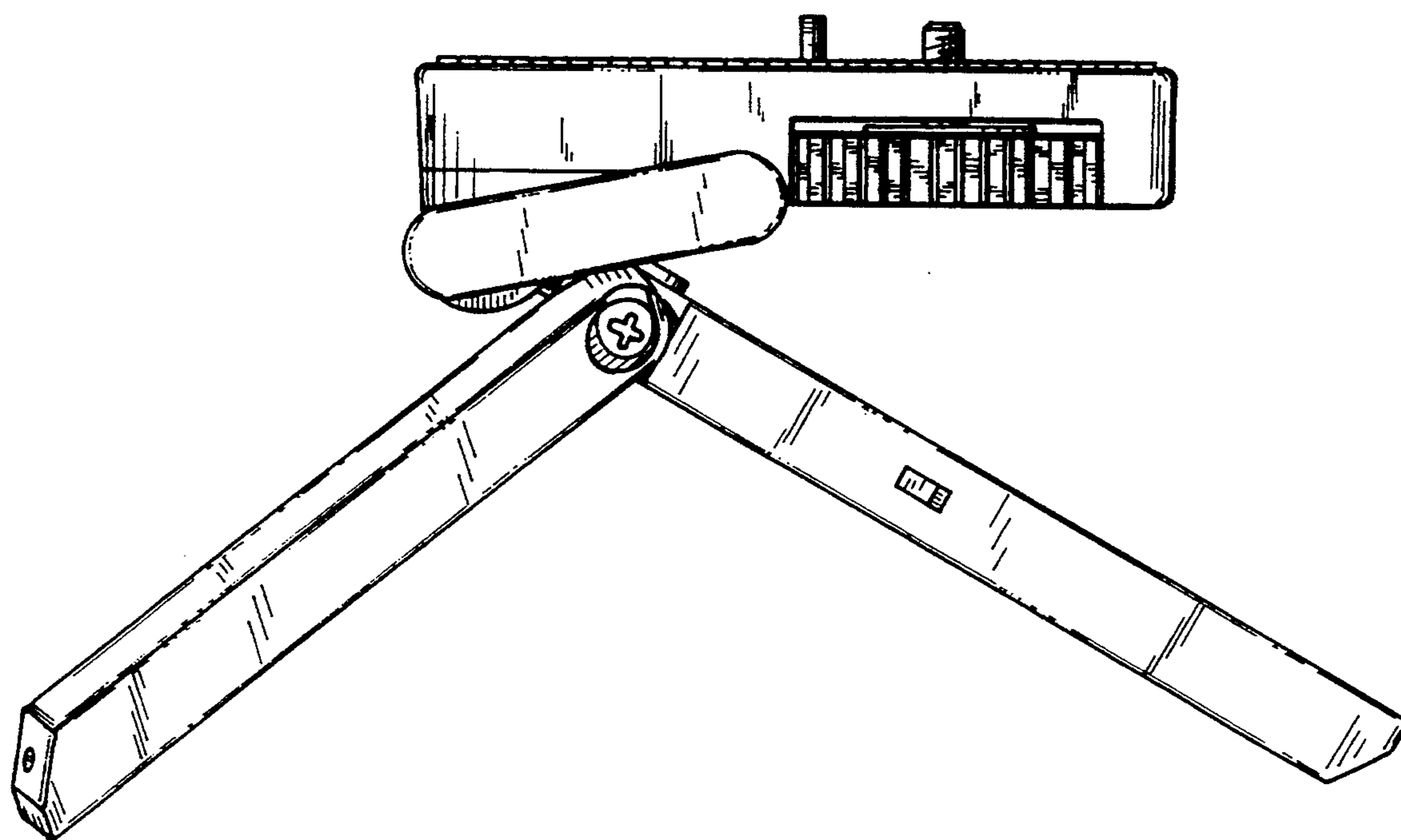


FIG. 2

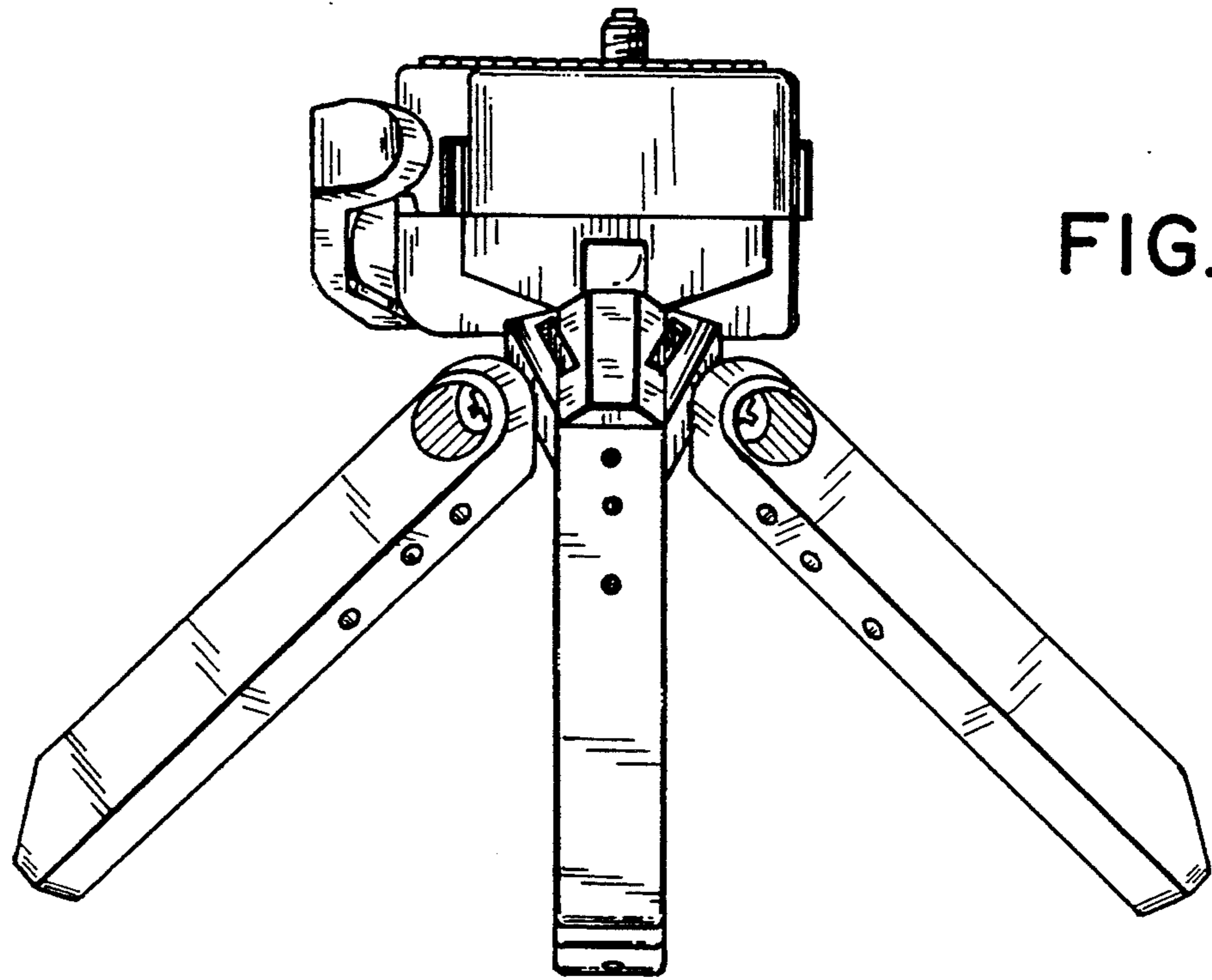


FIG. 4

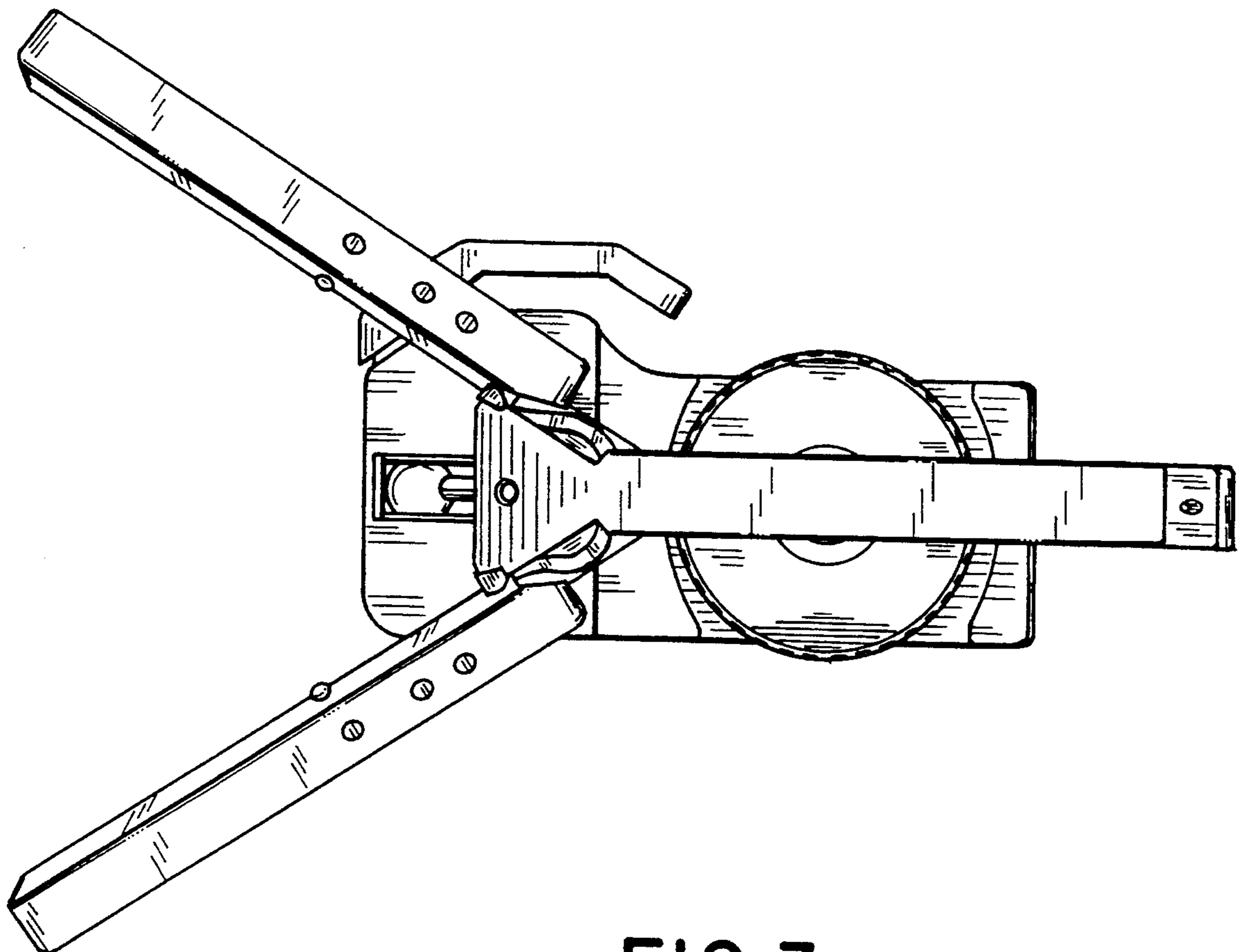


FIG. 3

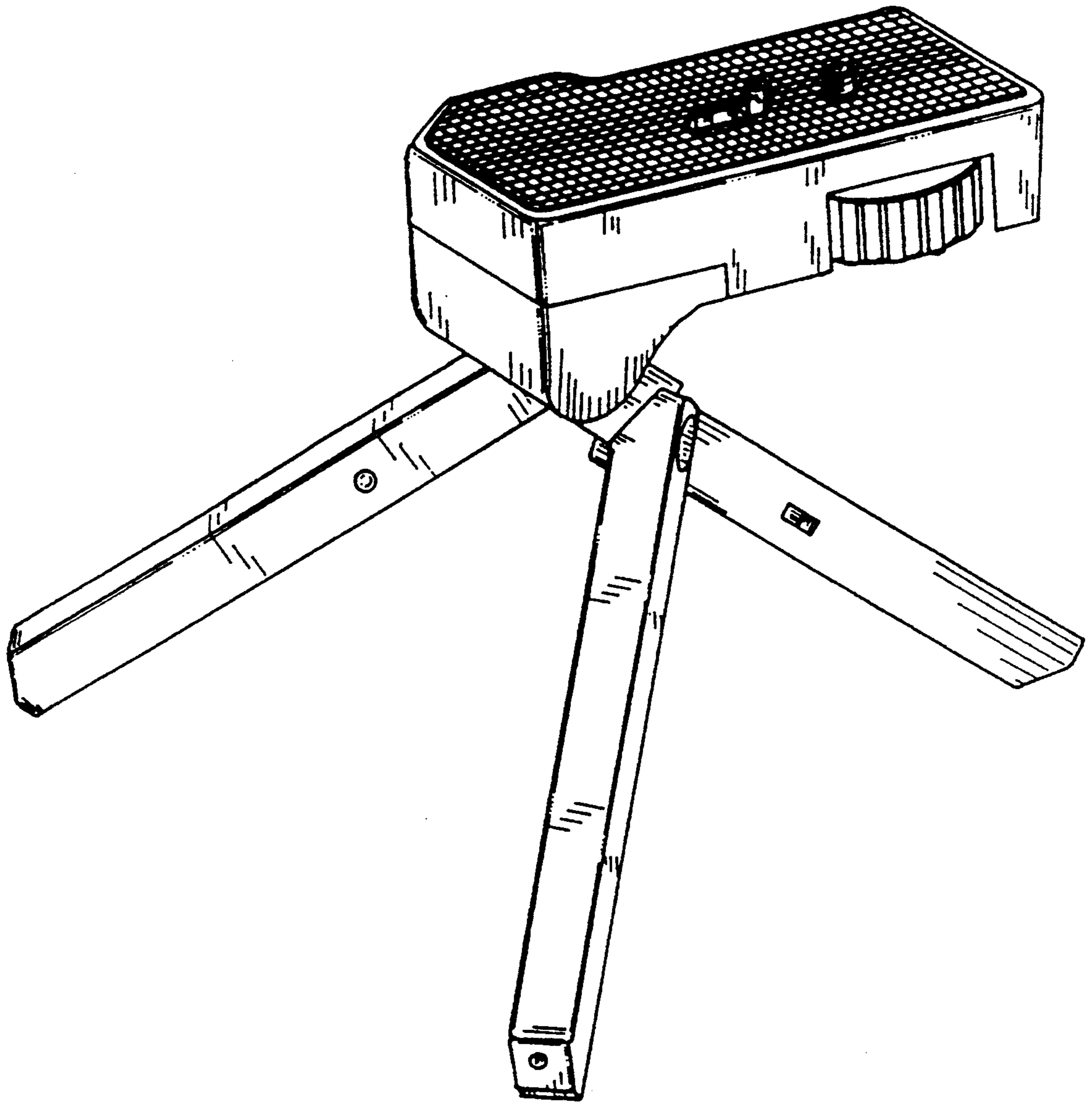
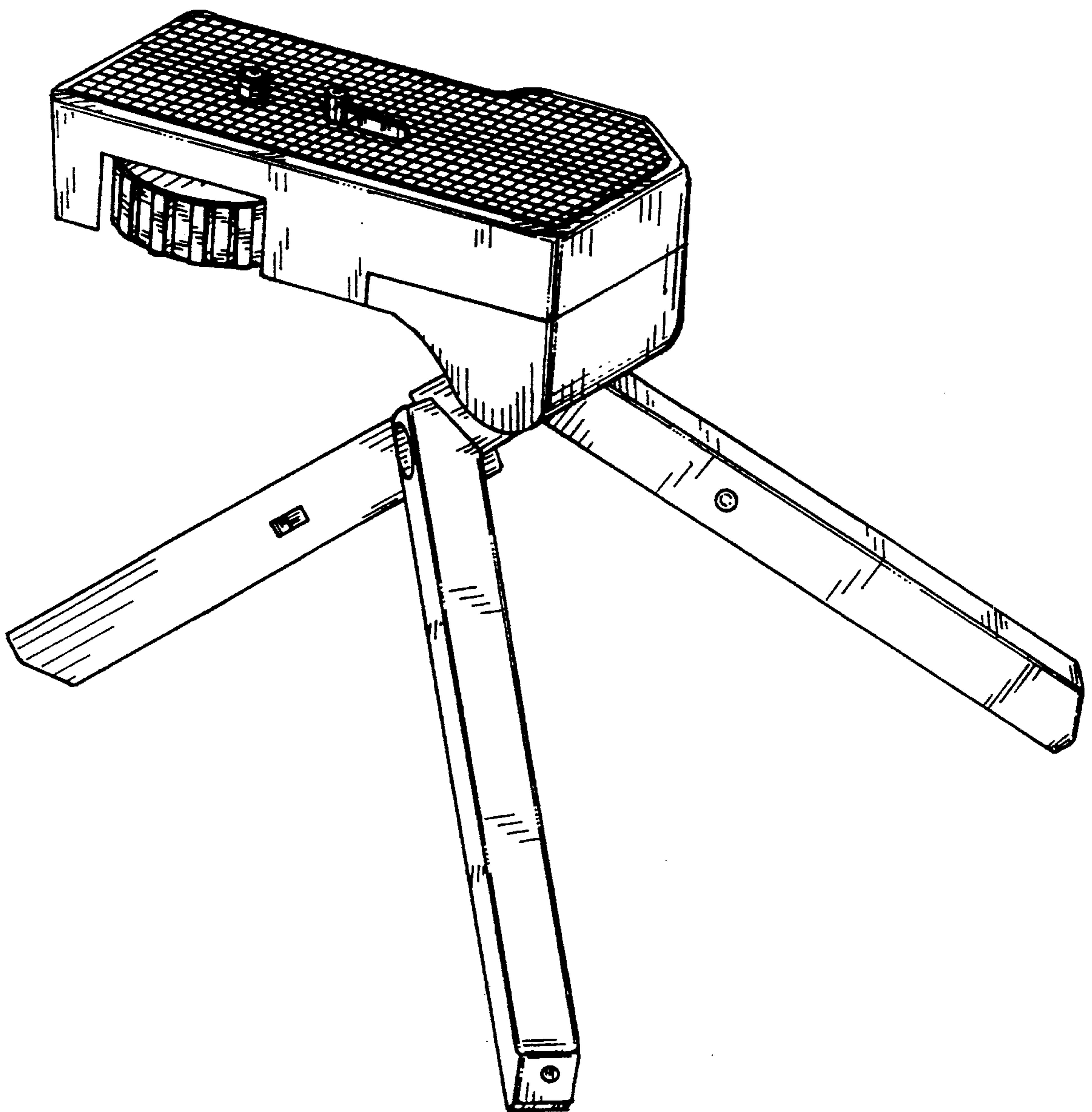


FIG. 7

FIG. 8



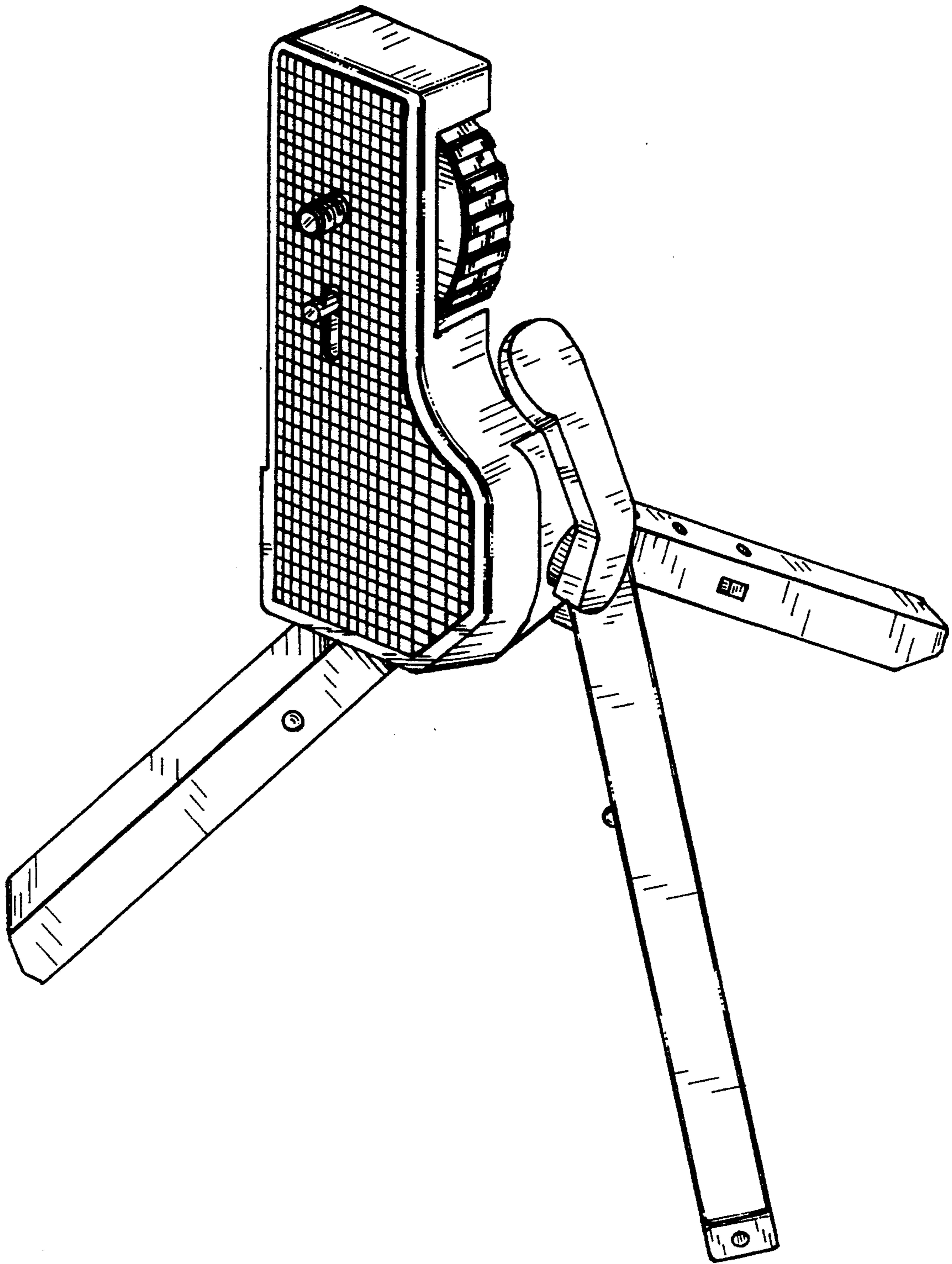


FIG. 9