



US00D350969S

United States Patent [19]
Chrisco

[11] **Patent Number: Des. 350,969**

[45] **Date of Patent: ** Sep. 27, 1994**

[54] **COLLAPSIBLE FUNNEL**

[75] **Inventor: Larry L. Chrisco, Fairland, Okla.**

[73] **Assignee: Blitz U.S.A. Inc., Miami, Okla.**

[**] **Term: 14 Years**

[21] **Appl. No.: 5,462**

[22] **Filed: Feb. 23, 1993**

[52] **U.S. Cl. D15/150**

[58] **Field of Search D7/700; D9/337; 141/98,
141/337, 331-345; 222/527, 566; D15/150**

4,886,194 12/1989 Schiemann .

4,921,147 5/1990 Poirier .

5,228,488 7/1993 Fletcher 141/337 X

Primary Examiner—Terry A. Wallace

Attorney, Agent, or Firm—Hovey, Williams, Timmons & Collins

[57] **CLAIM**

The ornamental design for a collapsible funnel, as shown and described.

DESCRIPTION

FIG. 1 is a perspective view of a collapsible funnel showing my new design;

FIG. 2 is a side elevational view, the opposite side being identical in appearance to that shown in FIG. 2;

FIG. 3 is a rear elevational view;

FIG. 4 is a front elevational view;

FIG. 5 is a top plan view; and,

FIG. 6 is a bottom plan view.

[56] **References Cited**

U.S. PATENT DOCUMENTS

- D. 298,015 10/1988 Gendron et al. .
- 4,706,719 11/1987 Eversdijk .
- 4,789,017 12/1988 Panasewica et al. .
- 4,832,238 5/1989 Taylor .
- 4,856,568 8/1989 Murphy et al. .

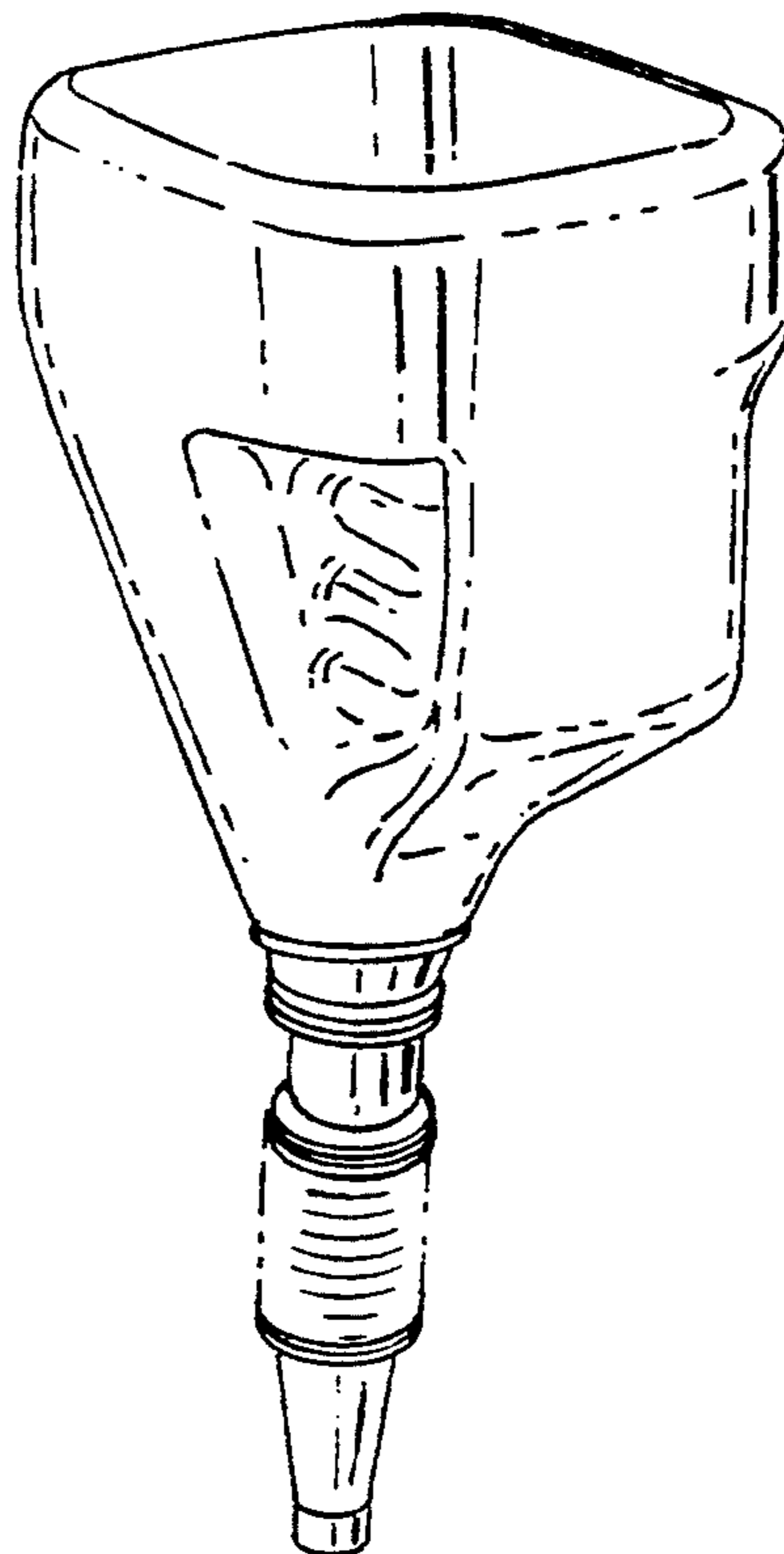


Fig. 1.

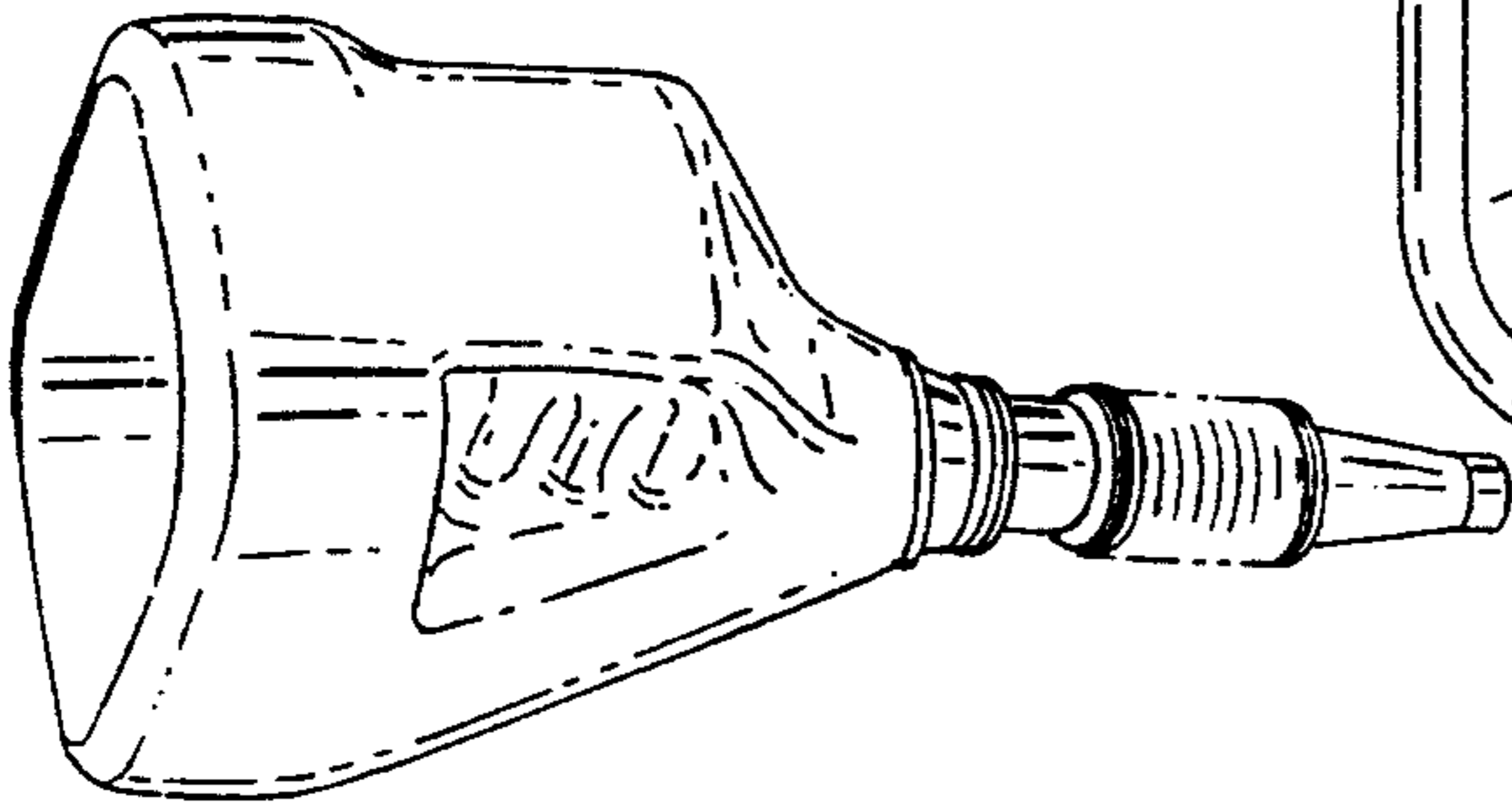


Fig. 5.

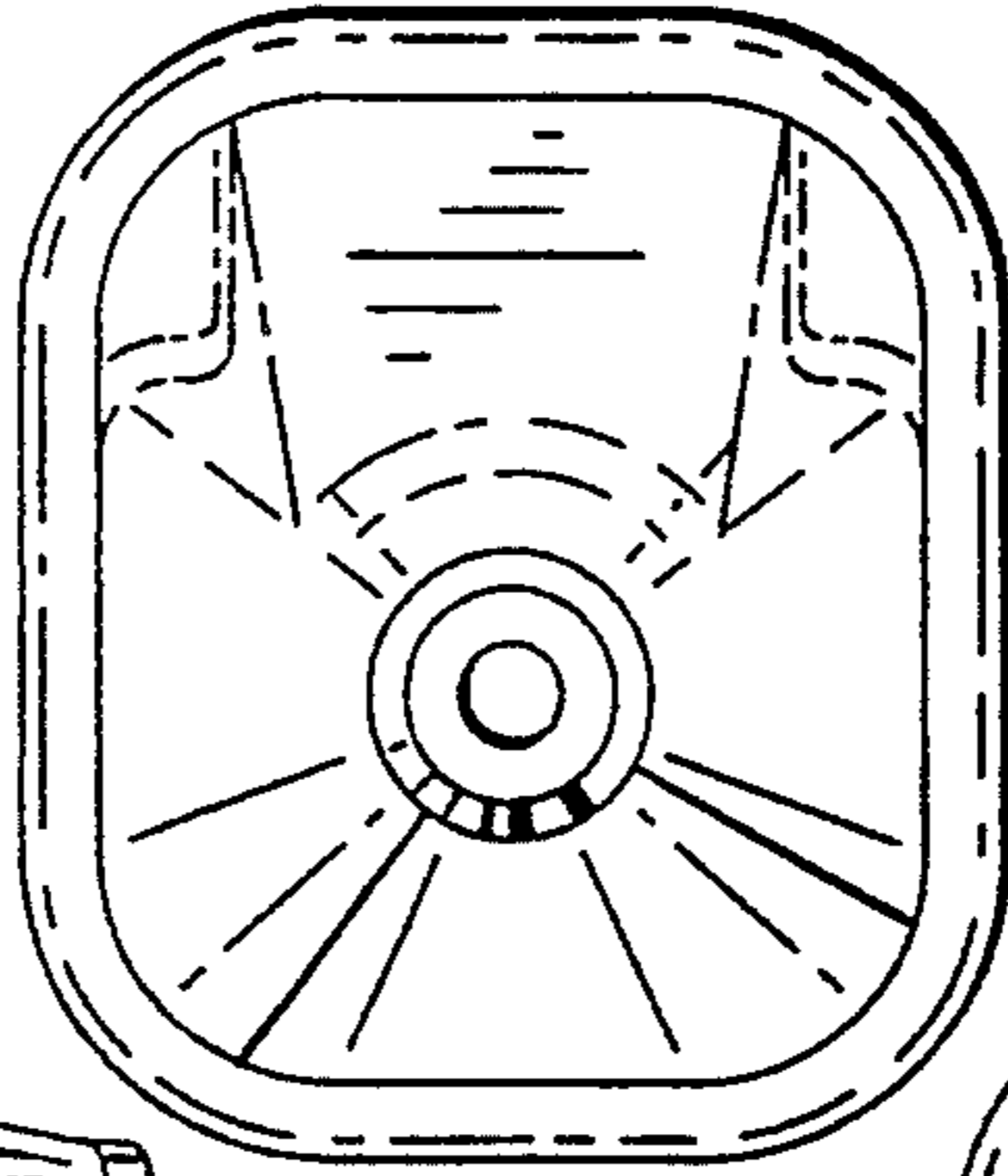


Fig. 6.

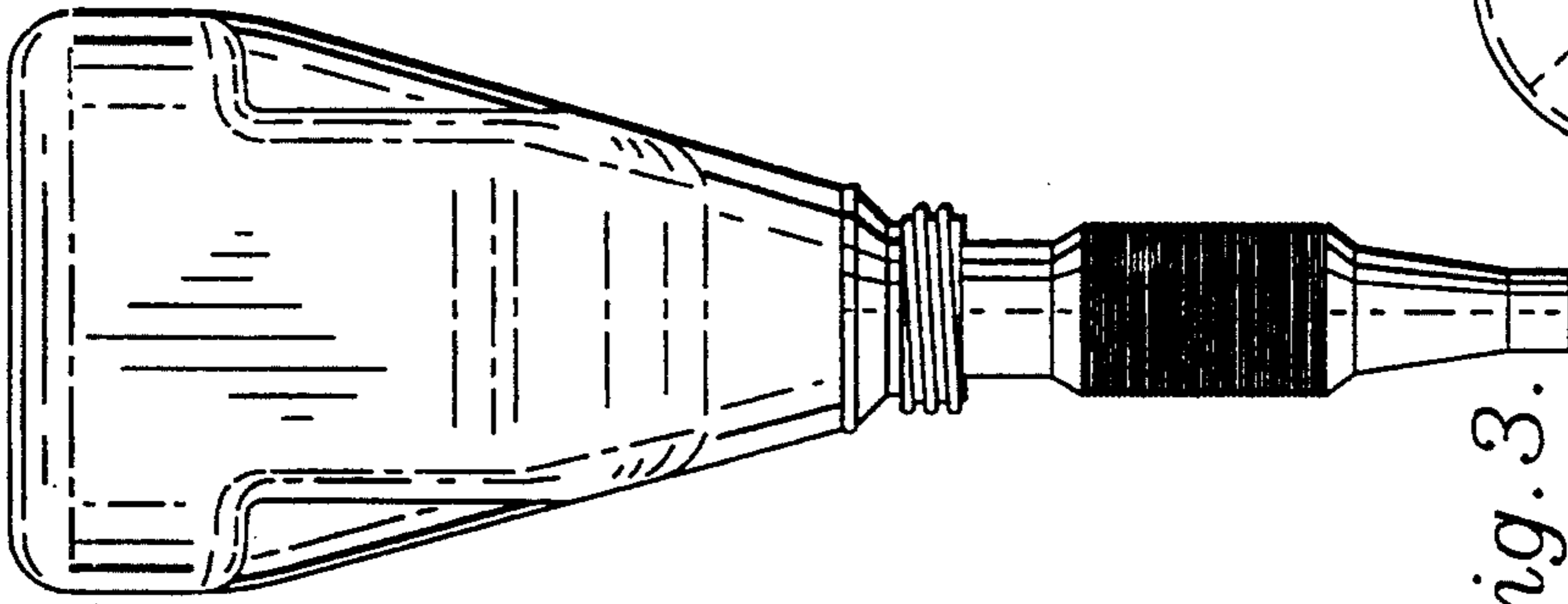
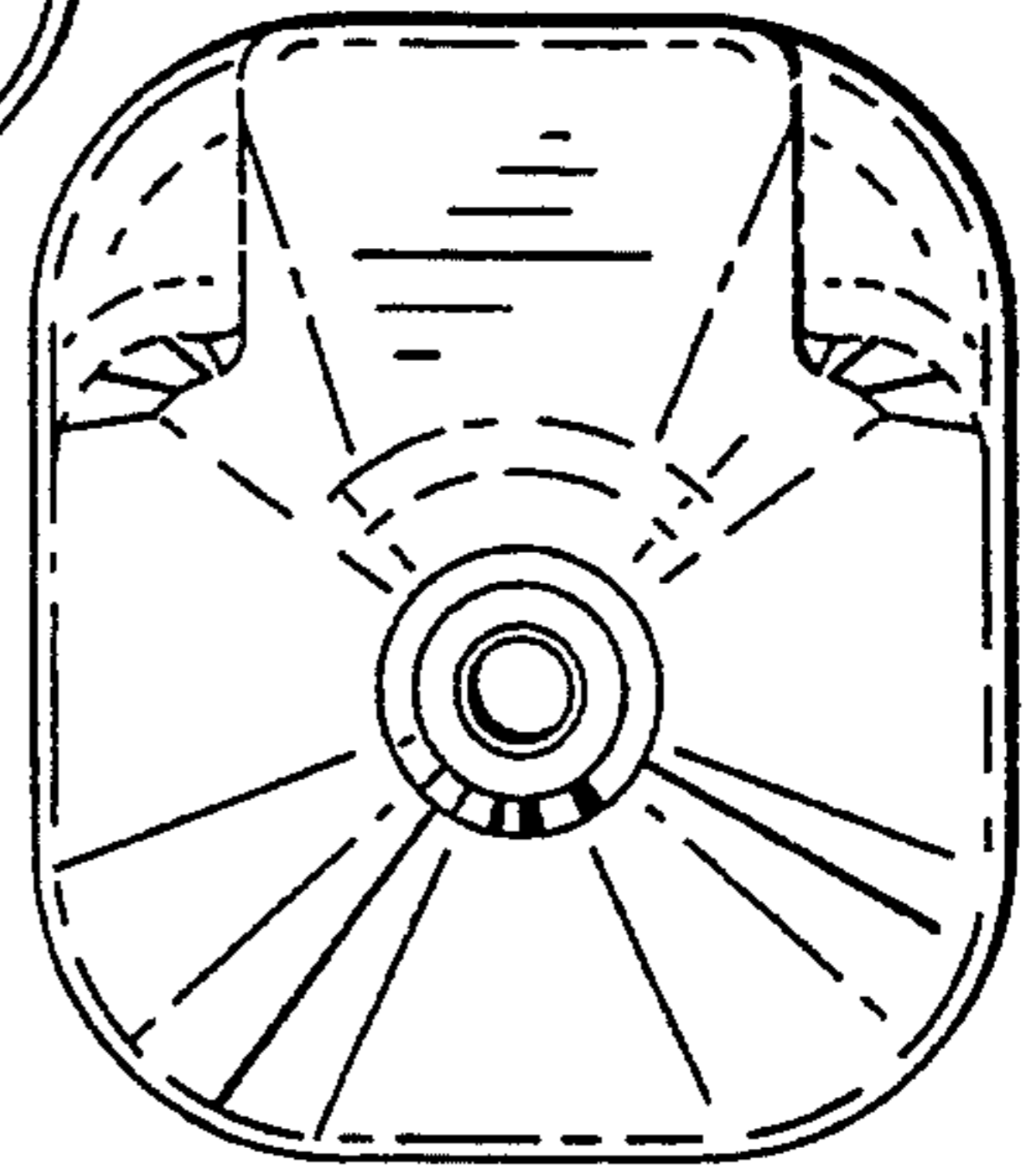


Fig. 3.

Fig. 4.

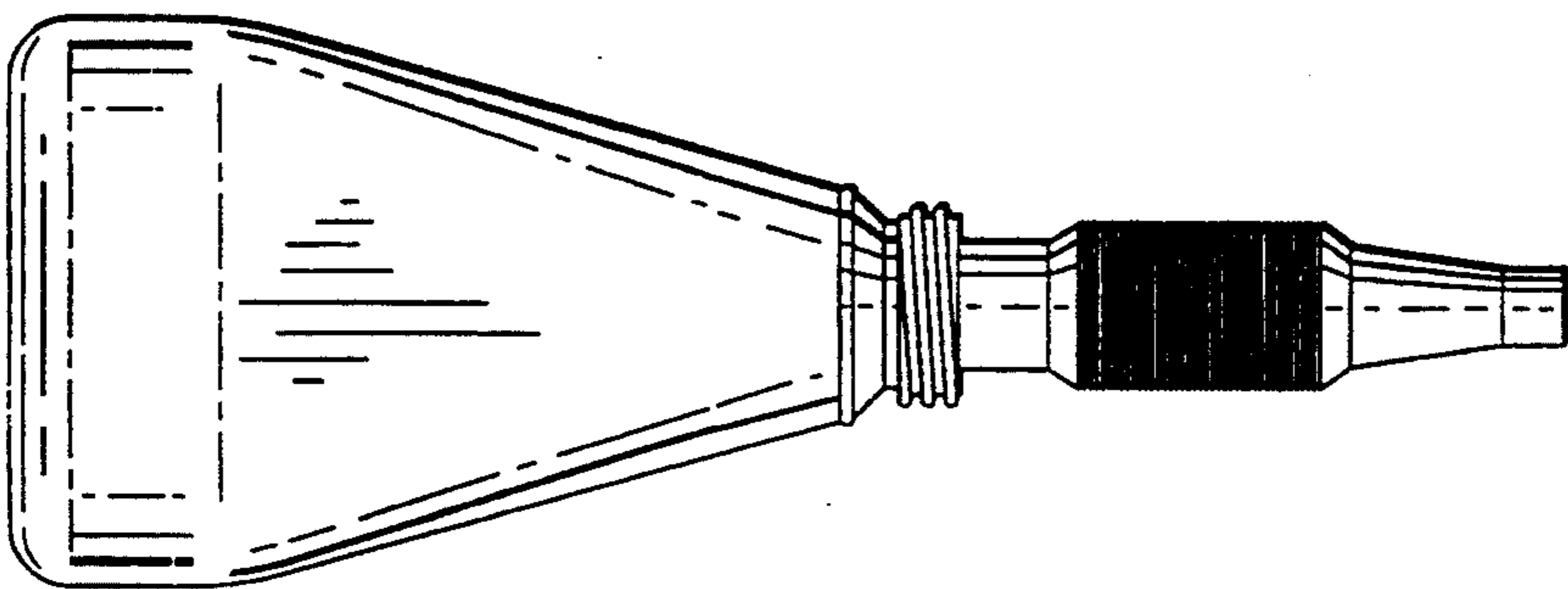


Fig. 2.

