



US00D350968S

United States Patent [19] Chang

[11] Patent Number: **Des. 350,968**

[45] Date of Patent: **** Sep. 27, 1994**

[54] **ELECTRIC SAW**

[75] Inventor: **Chiu-Tsun Chang**, Taichung, Taiwan

[73] Assignee: **P & F Brother Industrial Corporation**, Taichung, Taiwan

[**] Term: **14 Years**

[21] Appl. No.: **9,615**

[22] Filed: **Jun. 16, 1993**

[52] U.S. Cl. **D15/133**

[58] Field of Search **83/783-786;**
D15/133

D. 327,279 6/1992 Brickner et al. D15/133
D. 337,123 6/1993 Suctlik et al. D15/133

Primary Examiner—Alan P. Douglas
Assistant Examiner—Antoine D. Davis
Attorney, Agent, or Firm—Curtis, Morris & Safford

[57] CLAIM

The ornamental design for an electric saw, as shown and described.

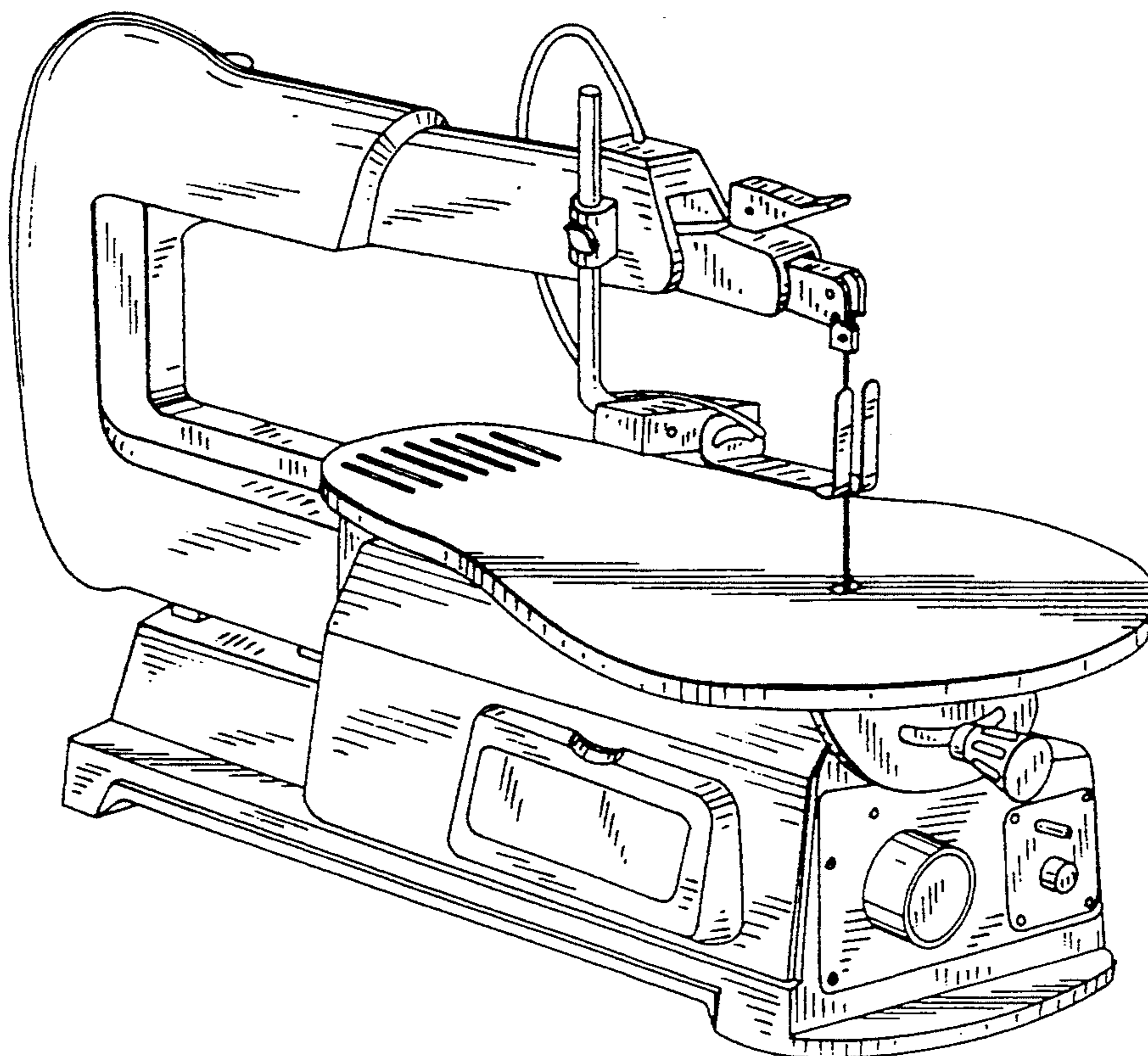
DESCRIPTION

FIG. 1 is a perspective view of an electric saw showing my new design;
FIG. 2 is a front elevational view thereof;
FIG. 3 is a rear elevational view thereof;
FIG. 4 is a left side elevational view thereof;
FIG. 5 is a right side elevational view thereof;
FIG. 6 is a top plan view thereof; and,
FIG. 7 is a bottom plan view thereof.

[56] References Cited

U.S. PATENT DOCUMENTS

D. 174,116 3/1955 Dremel D15/133
D. 290,369 6/1987 Eccardt et al. D15/133



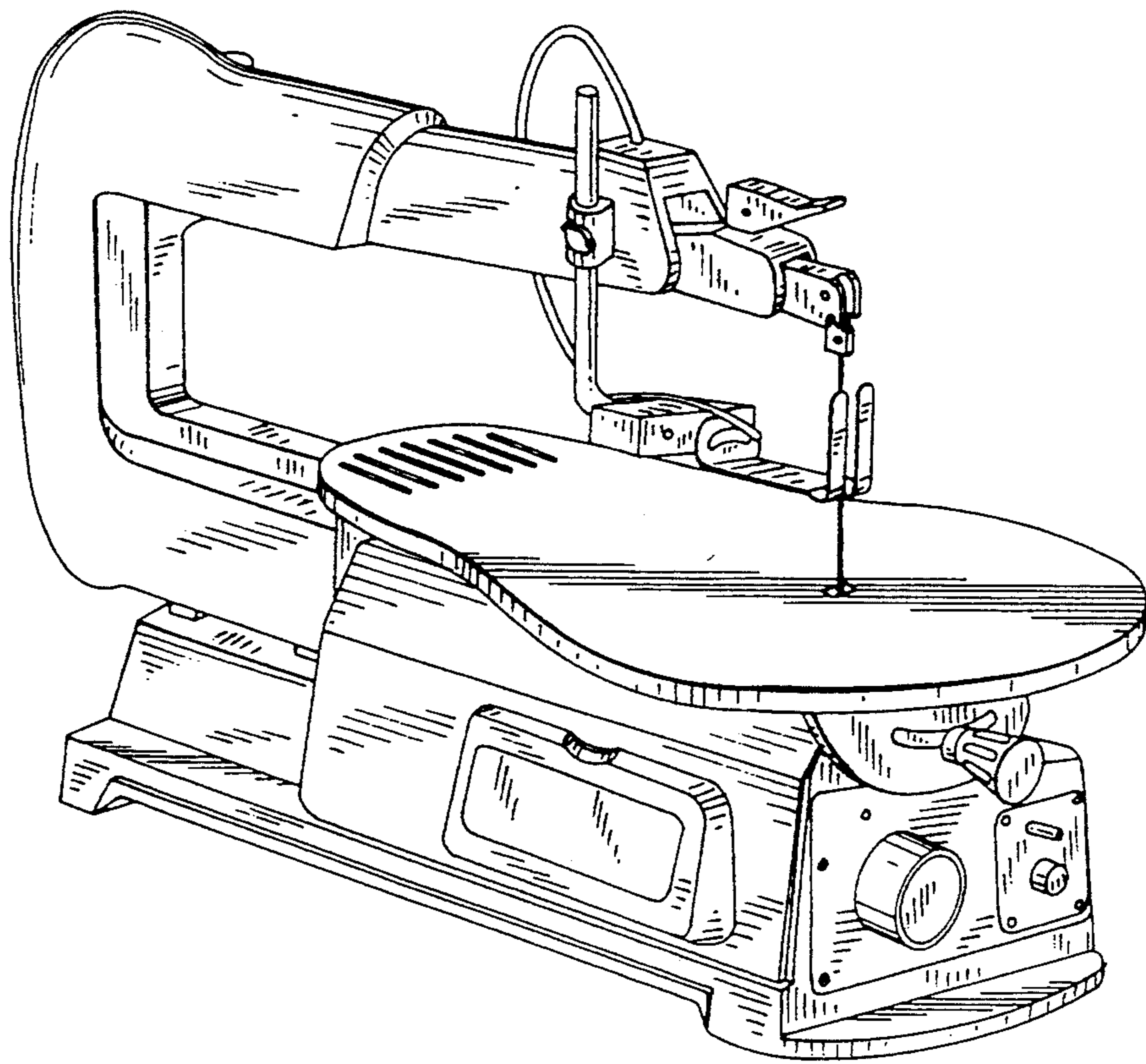


FIG. 1

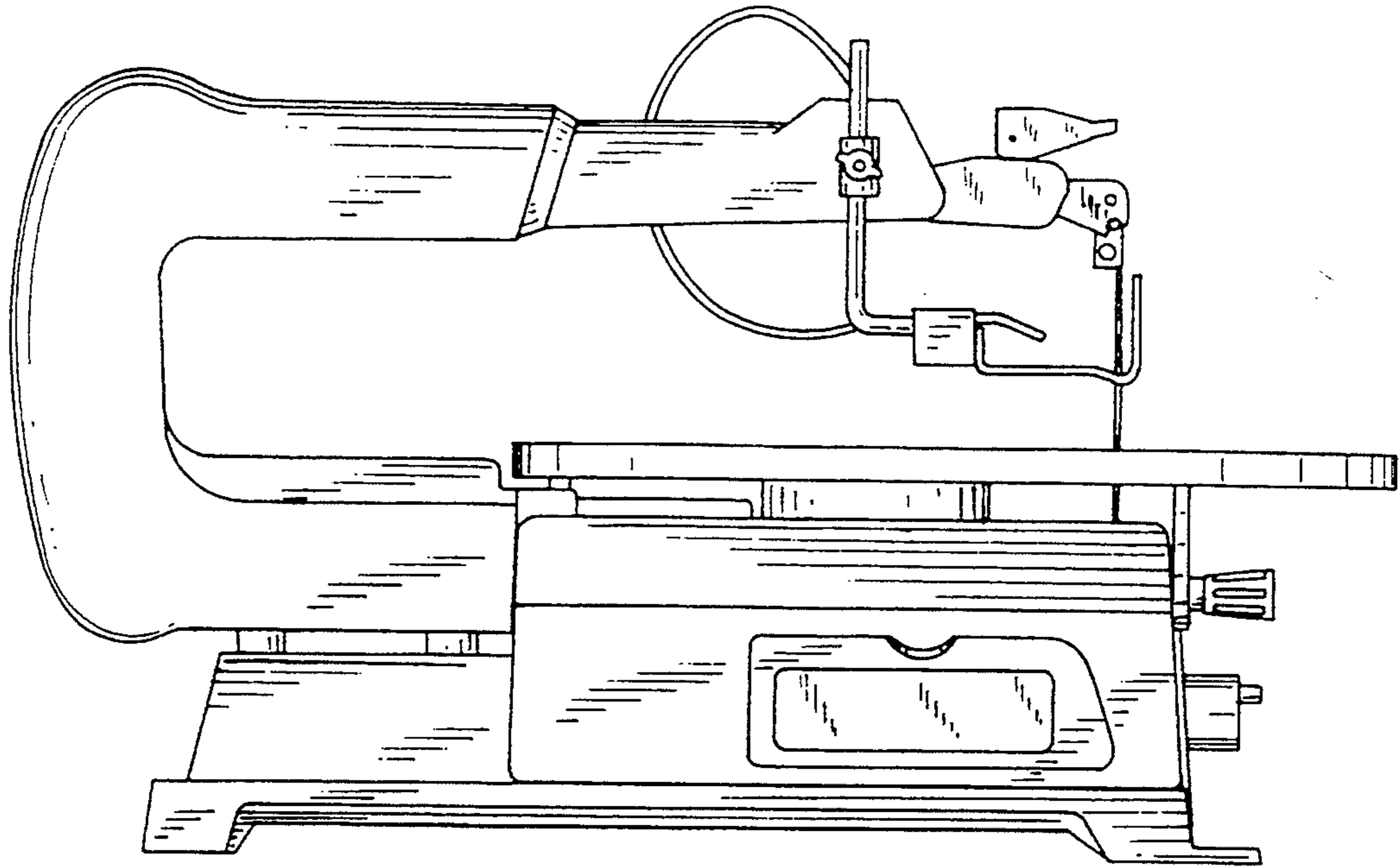


FIG. 2

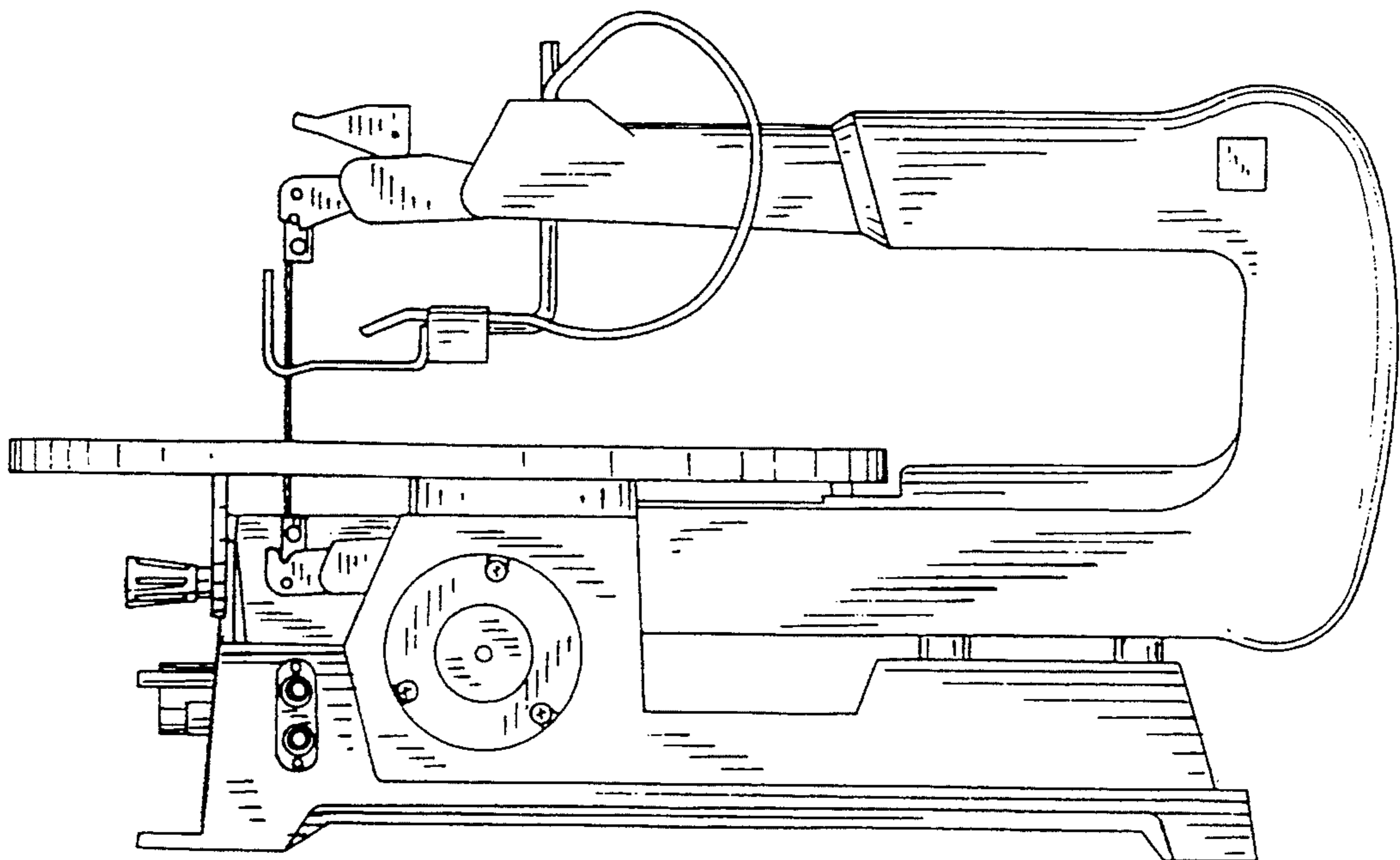


FIG. 3

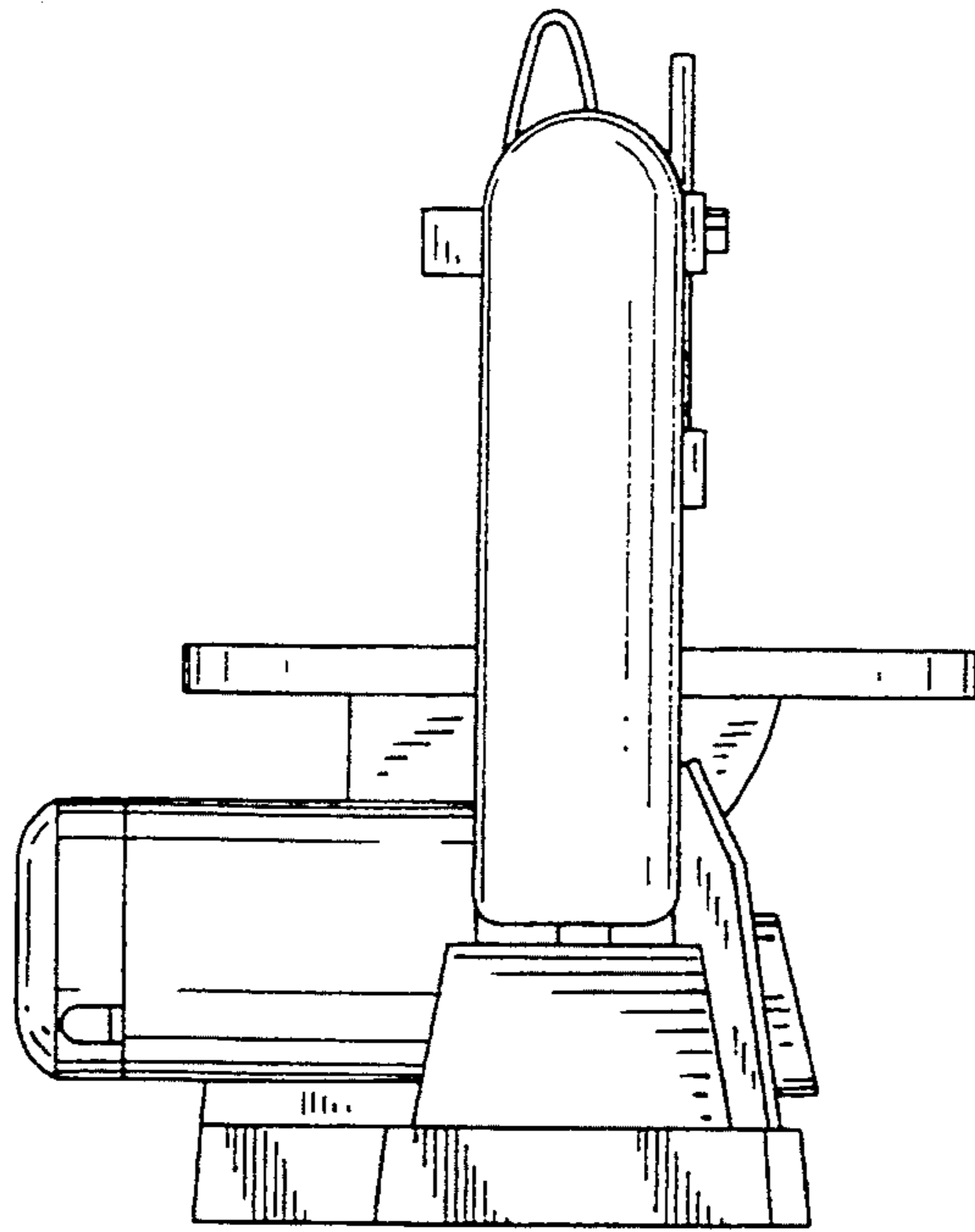


FIG. 4

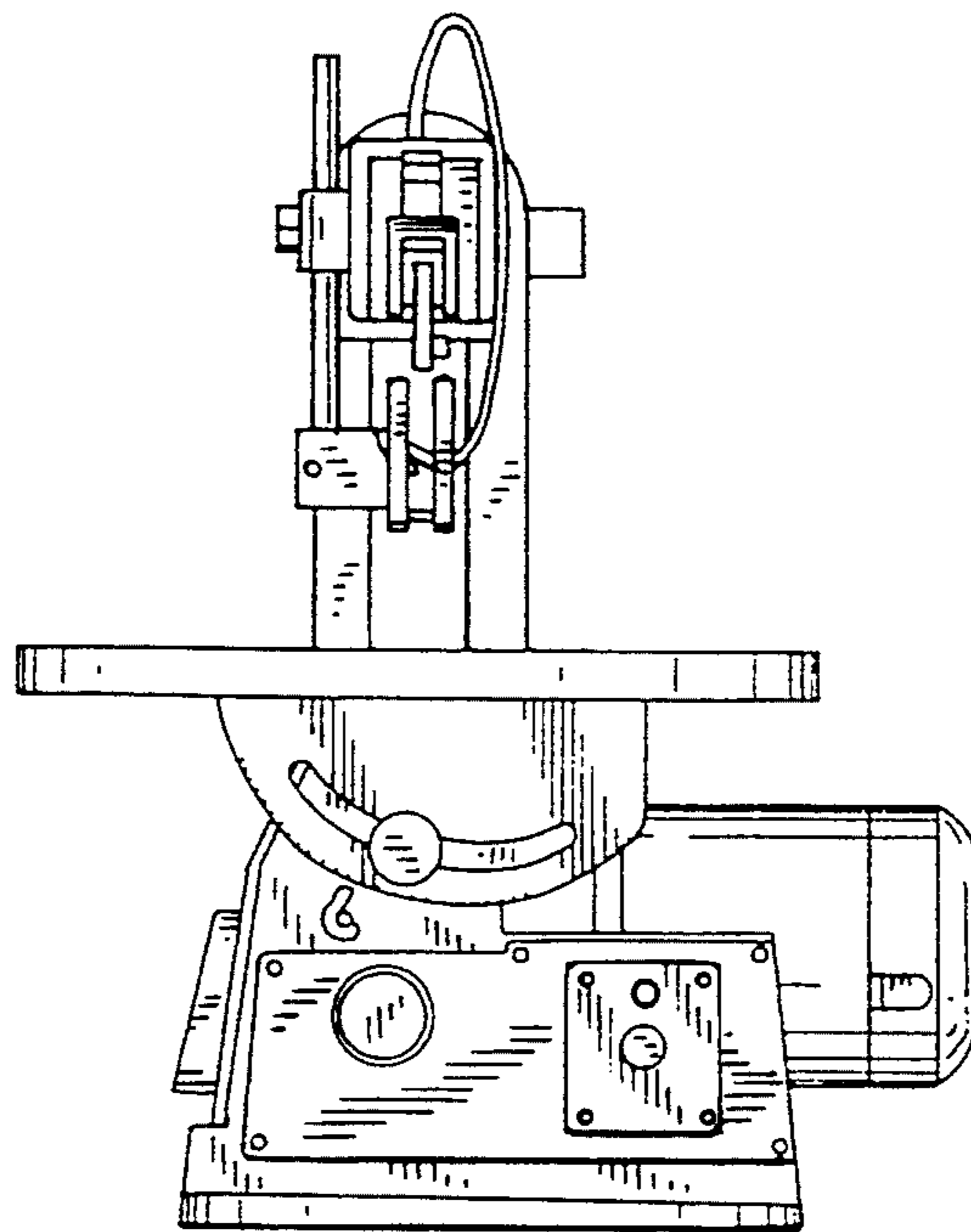


FIG. 5

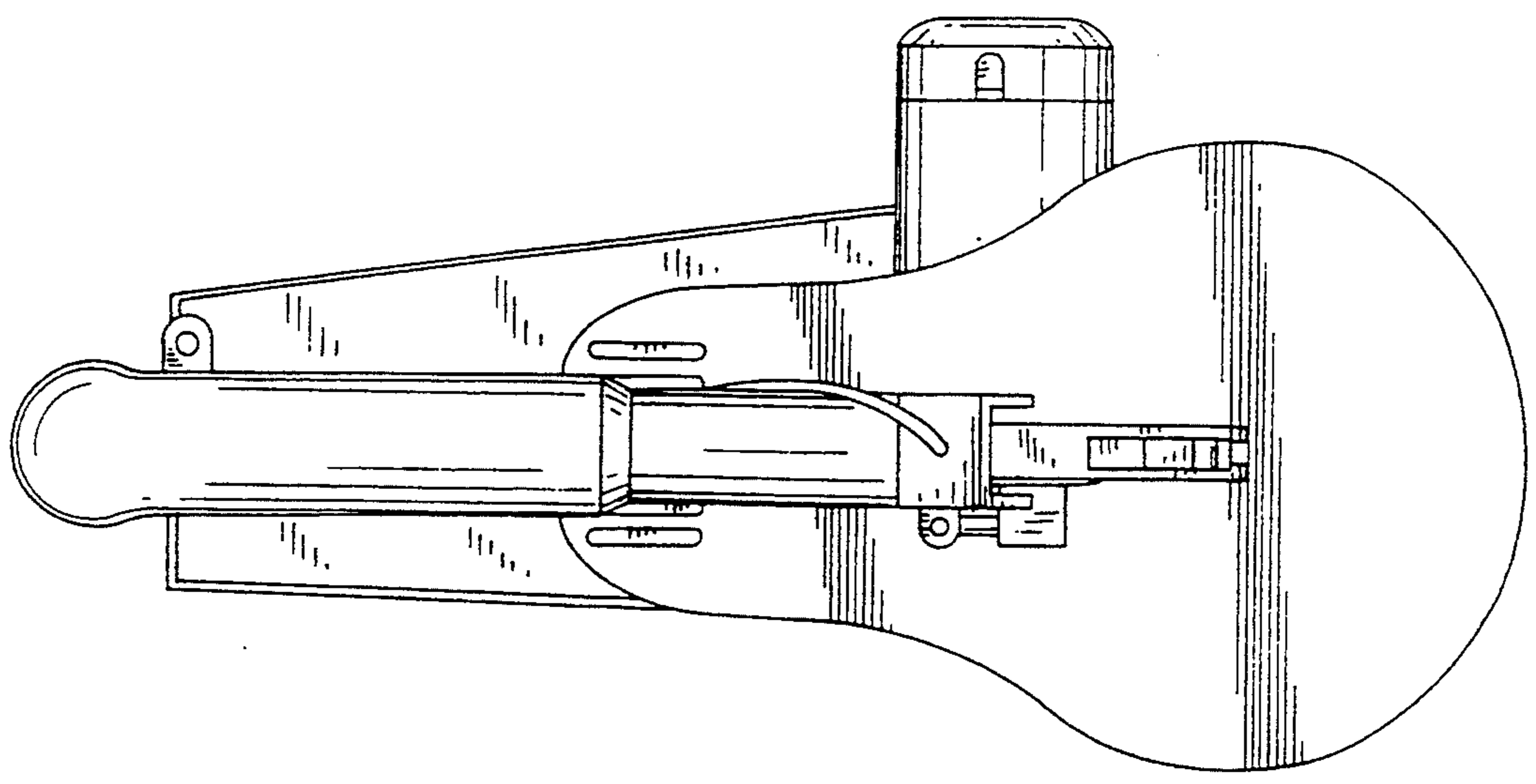


FIG. 6

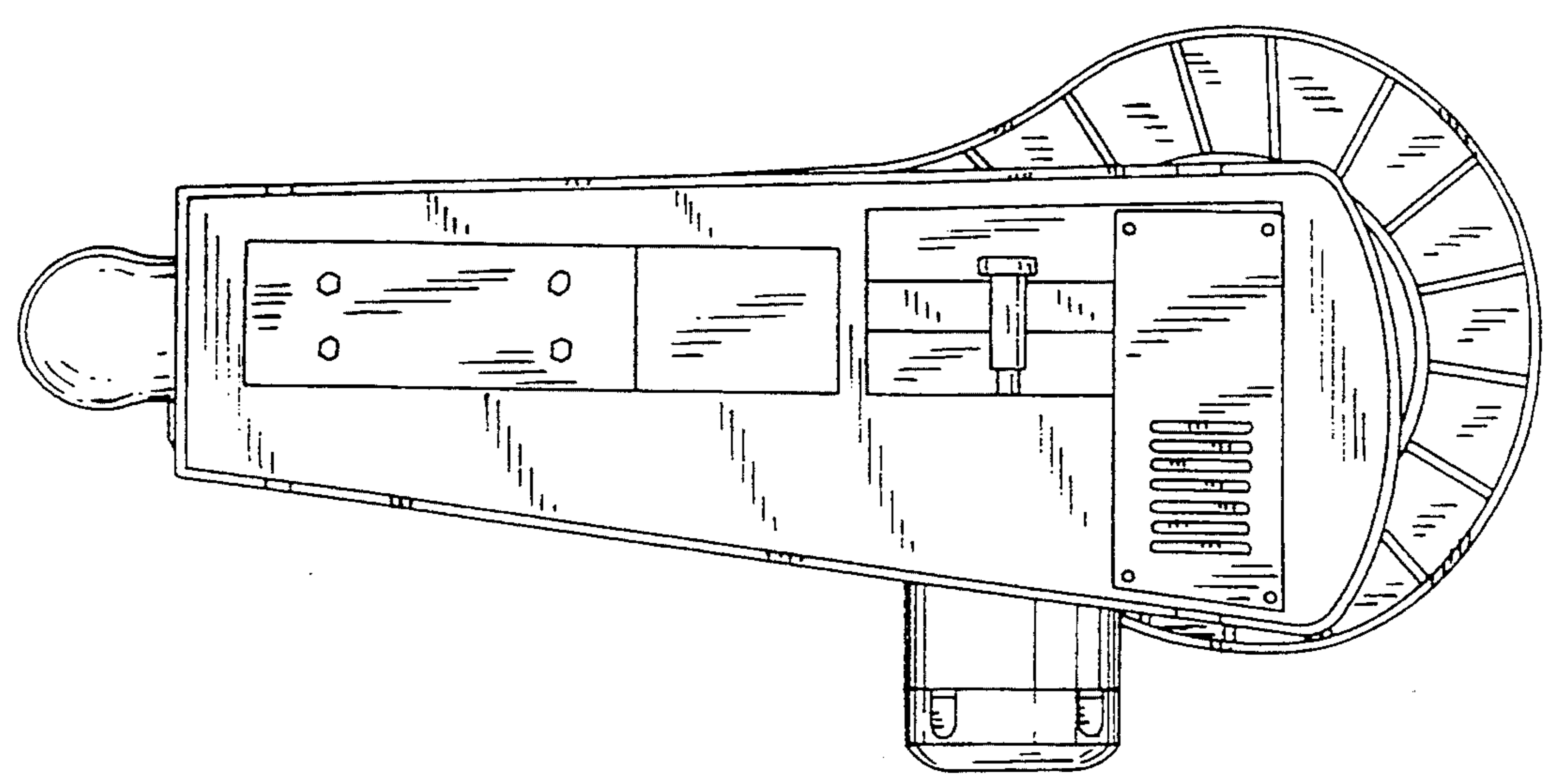


FIG. 7