



US00D350966S

United States Patent [19]
Crispino

[11] **Patent Number: Des. 350,966**
[45] **Date of Patent: ** Sep. 27, 1994**

[54] **AUTOMATIC FEED APPARATUS FOR DISPENSING TAR**
[76] Inventor: **Louis T. Crispino**, 2215 Cross Country Blvd., Baltimore, Md. 21209
[**] Term: **14 Years**
[21] Appl. No.: **8,825**
[22] Filed: **May 27, 1993**
[52] U.S. Cl. **D15/13**
[58] **Field of Search** 401/40, 41, 42, 43, 401/44, 45, 46, 47, 48; D15/10, 13, 19, 27, 199; D34/12, 14

Assistant Examiner—Antoine D. Davis
Attorney, Agent, or Firm—Walter G. Finch

[57] **CLAIM**

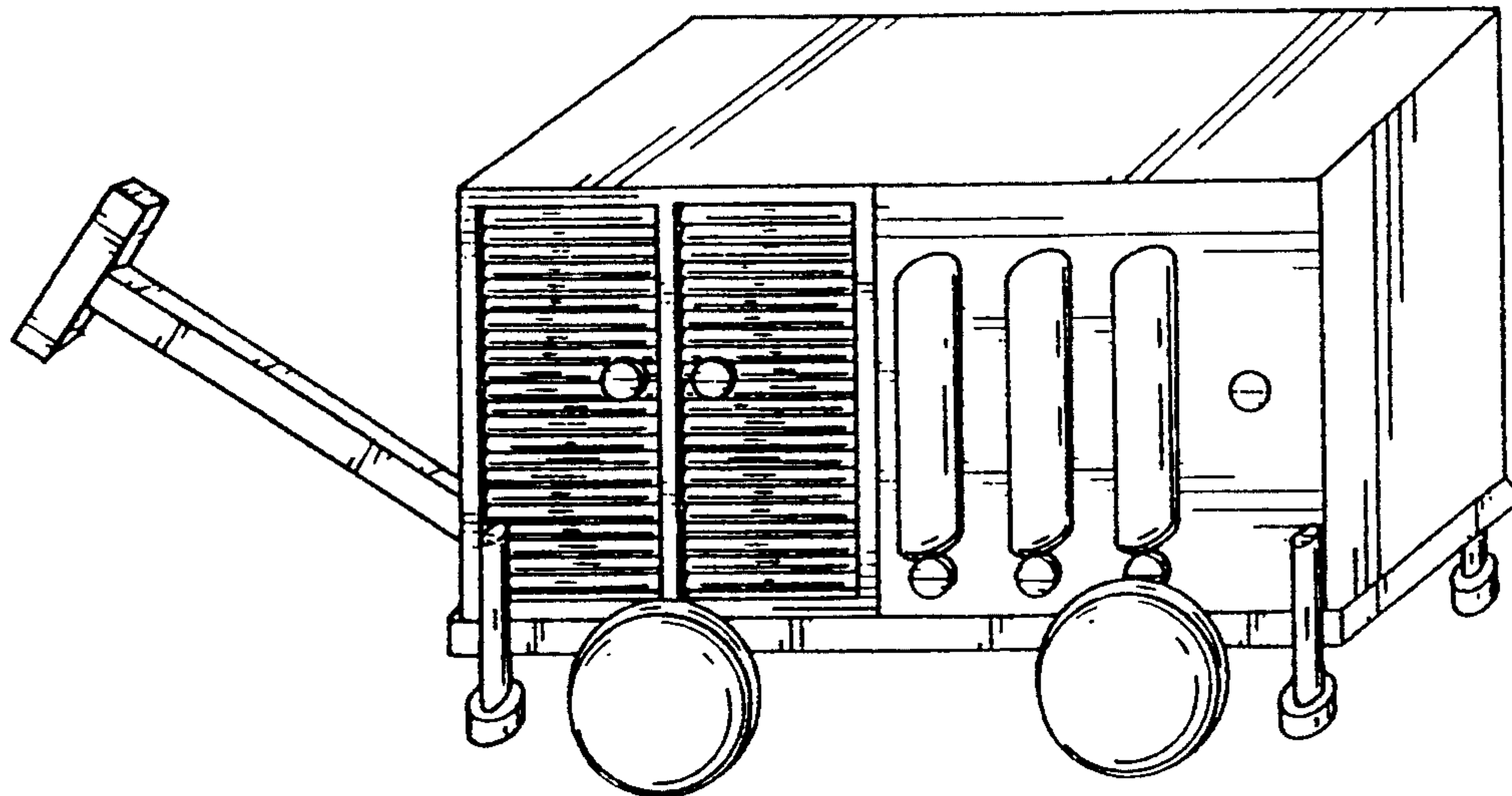
The ornamental design of an automatic feed apparatus for dispensing tar, as shown and described.

DESCRIPTION

FIG. 1 is a perspective view of an automatic feed apparatus for dispensing tar incorporating my design;
FIG. 2 is a side view of the automatic feed apparatus of FIG. 1;
FIG. 3 is a top view of the automatic feed apparatus of FIG. 1;
FIG. 4 is a bottom view of the automatic feed apparatus of FIG. 1;
FIG. 5 is the opposite side view of the automatic feed apparatus of FIGS. 1 and 2;
FIG. 6 is a front view of the automatic feed apparatus of FIG. 1; and,
FIG. 7 is an end view of the automatic feed apparatus of FIG. 1.

[56] **References Cited**
U.S. PATENT DOCUMENTS
D. 276,947 12/1984 Dennis D34/14 X
1,781,603 11/1930 Schori D15/13 X
4,265,559 5/1981 Mellen 401/48
5,254,167 10/1993 Vanoski et al. 401/48 X

Primary Examiner—Alan P. Douglas



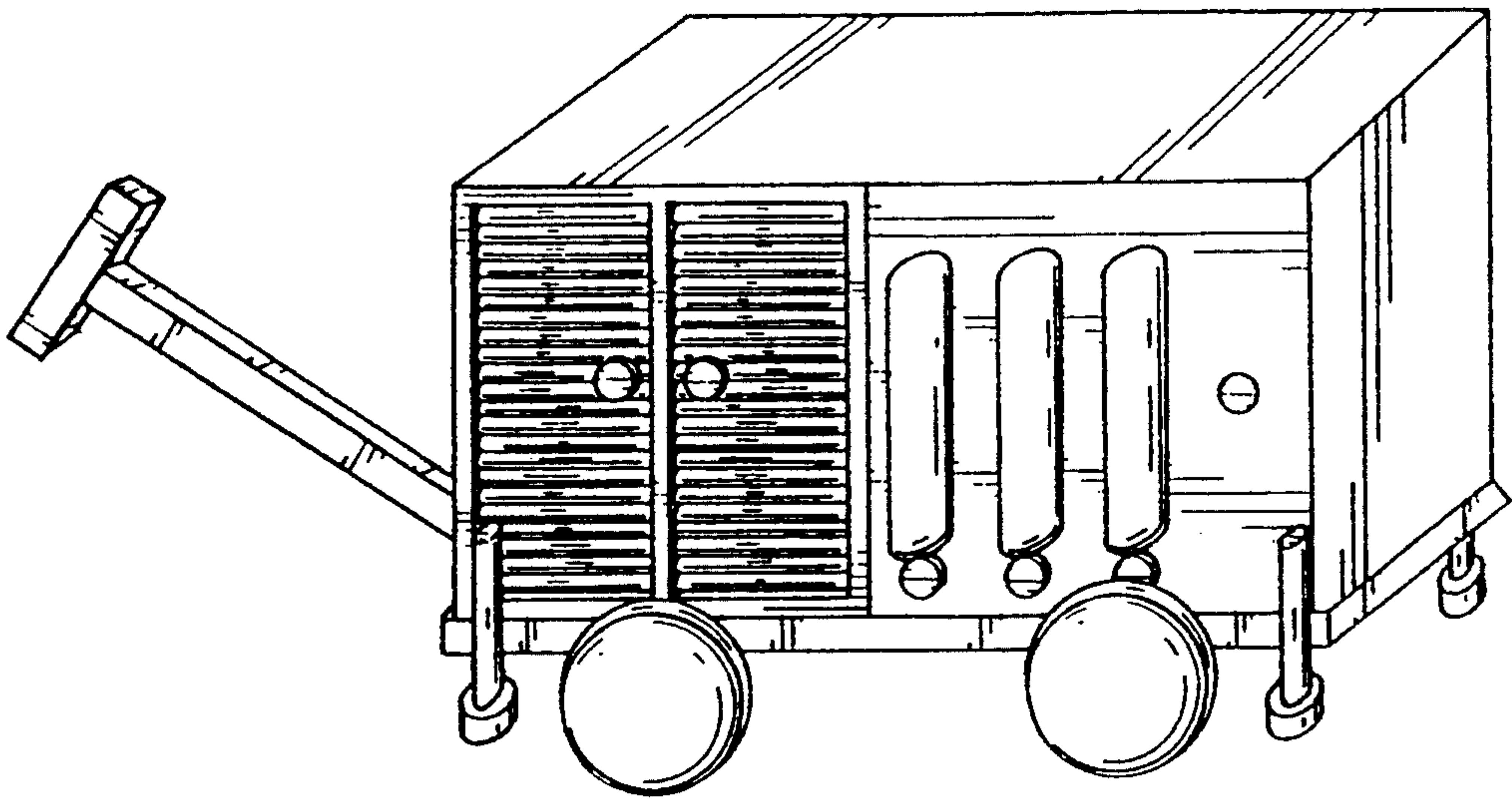


FIG. 1

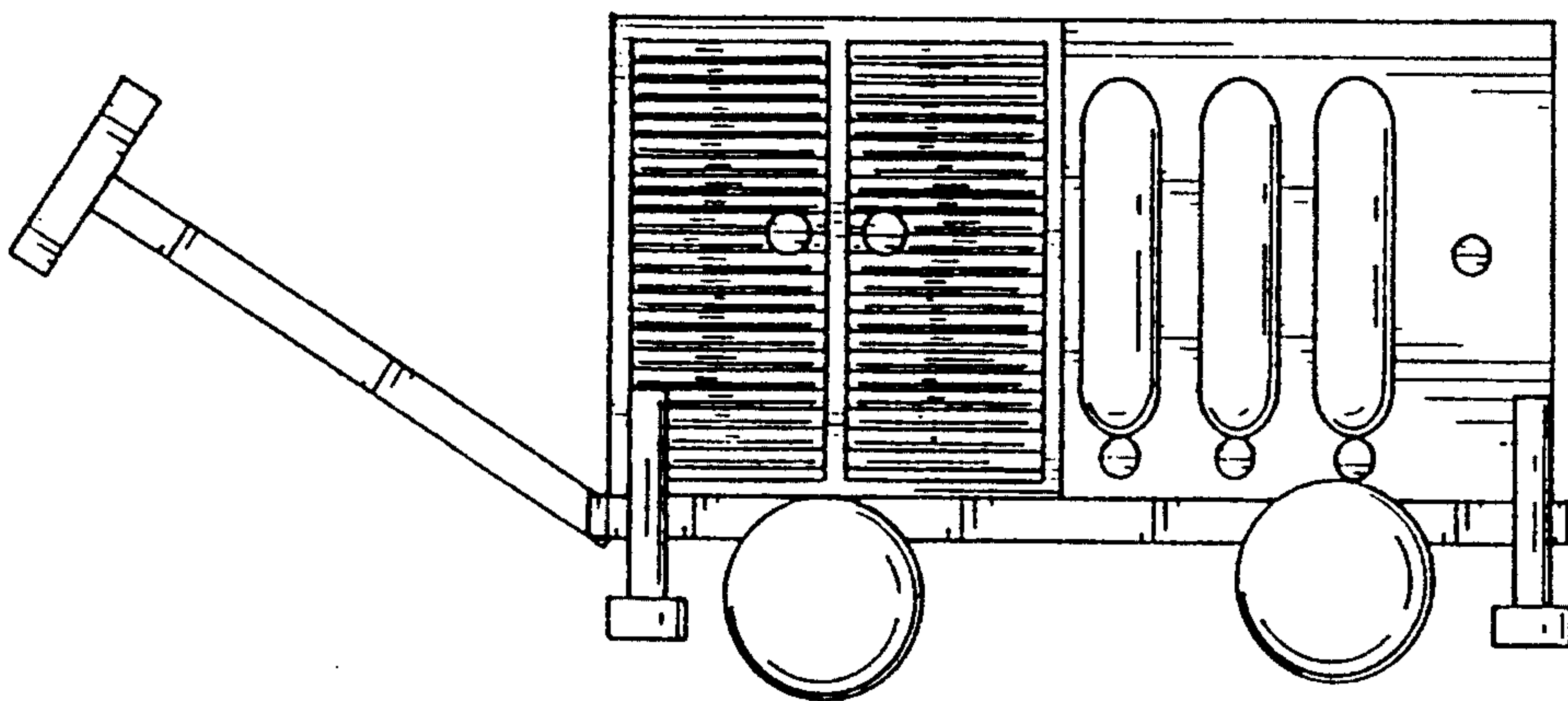


FIG. 2

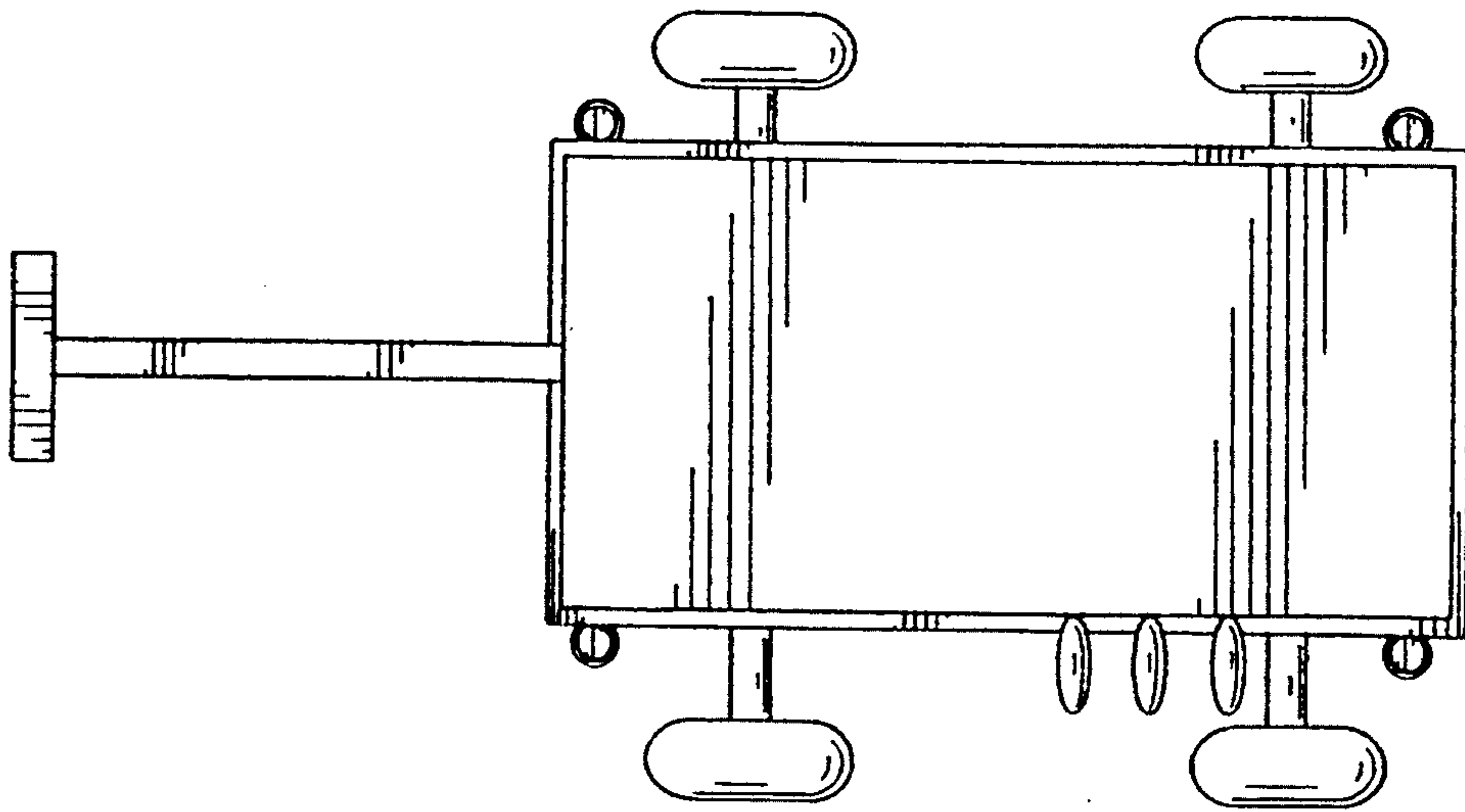


FIG. 3

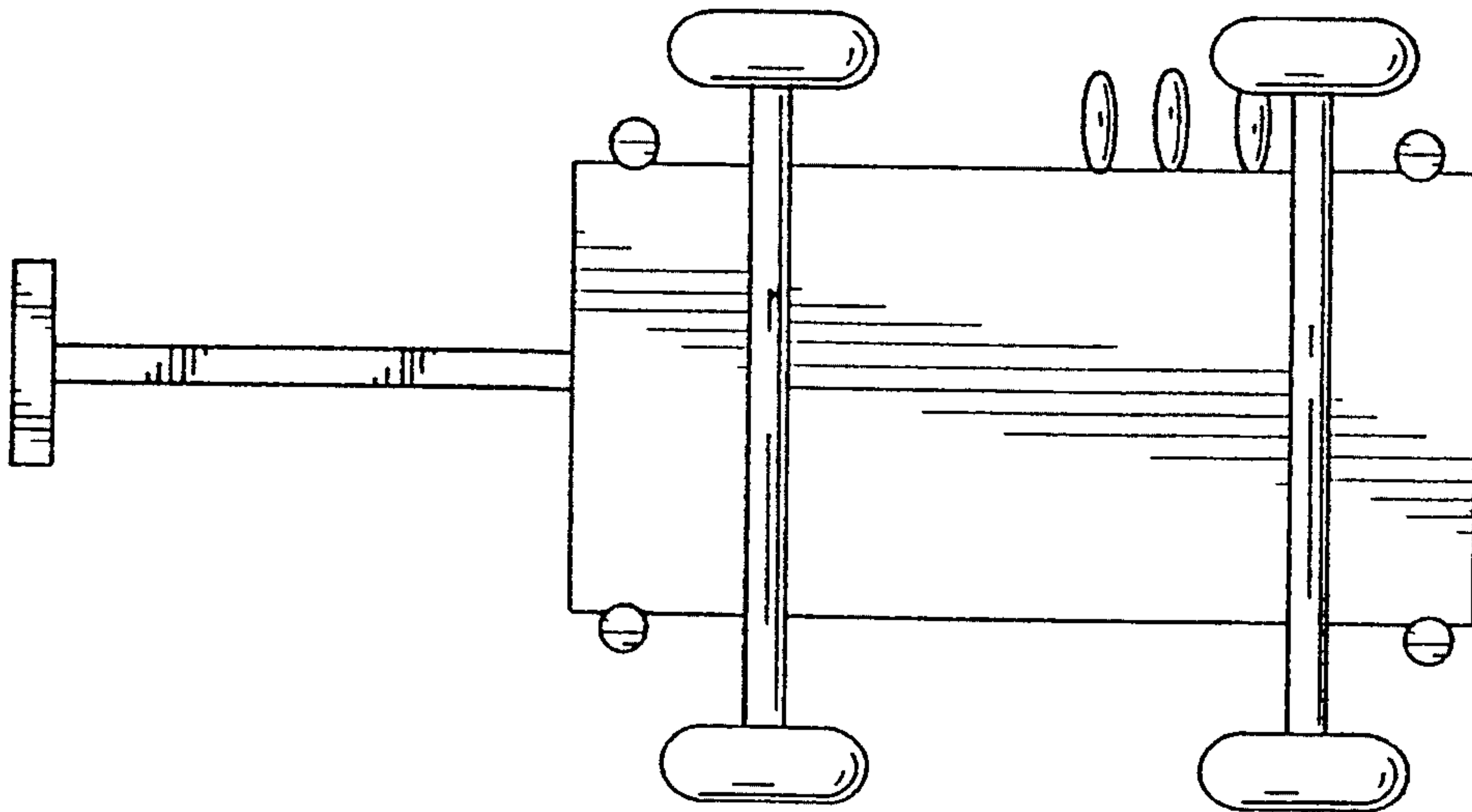


FIG. 4

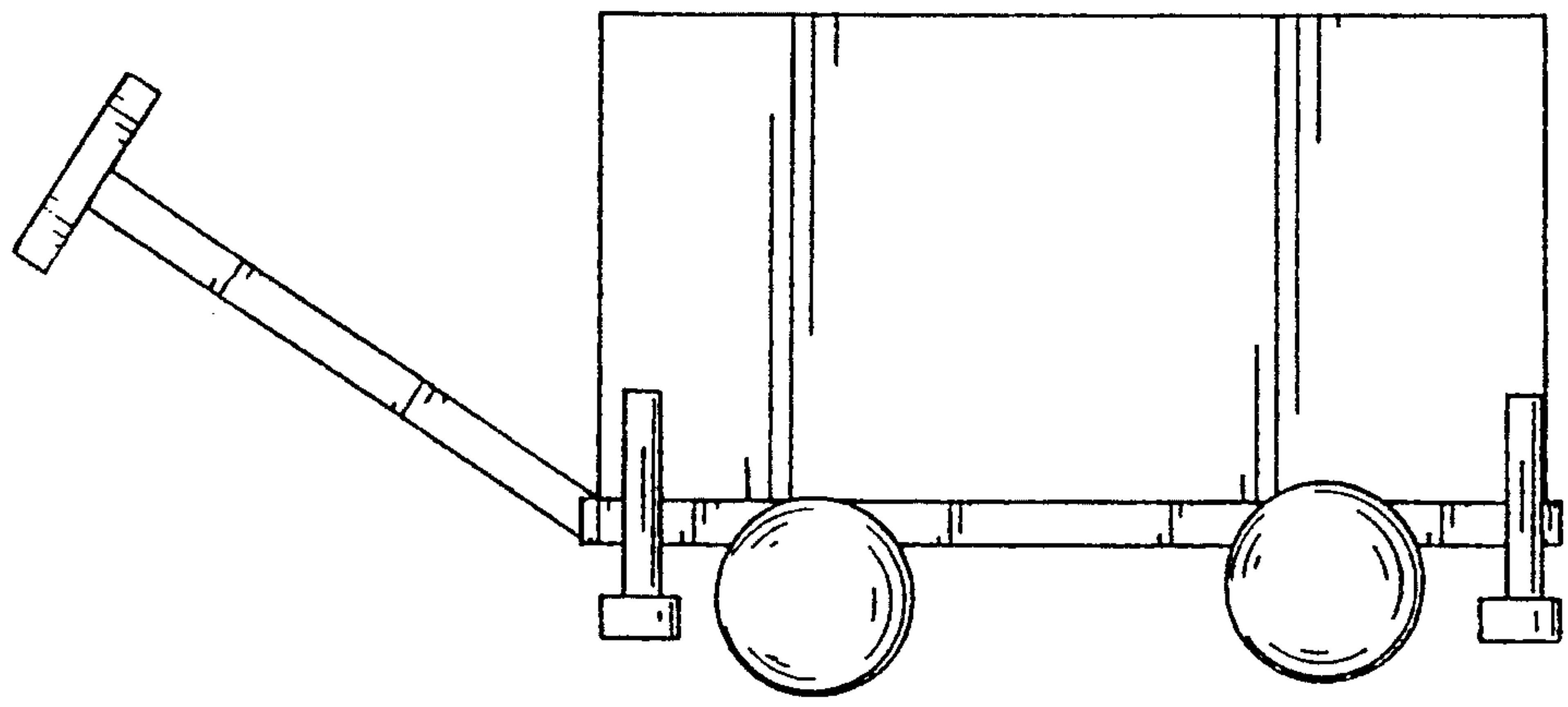


FIG. 5

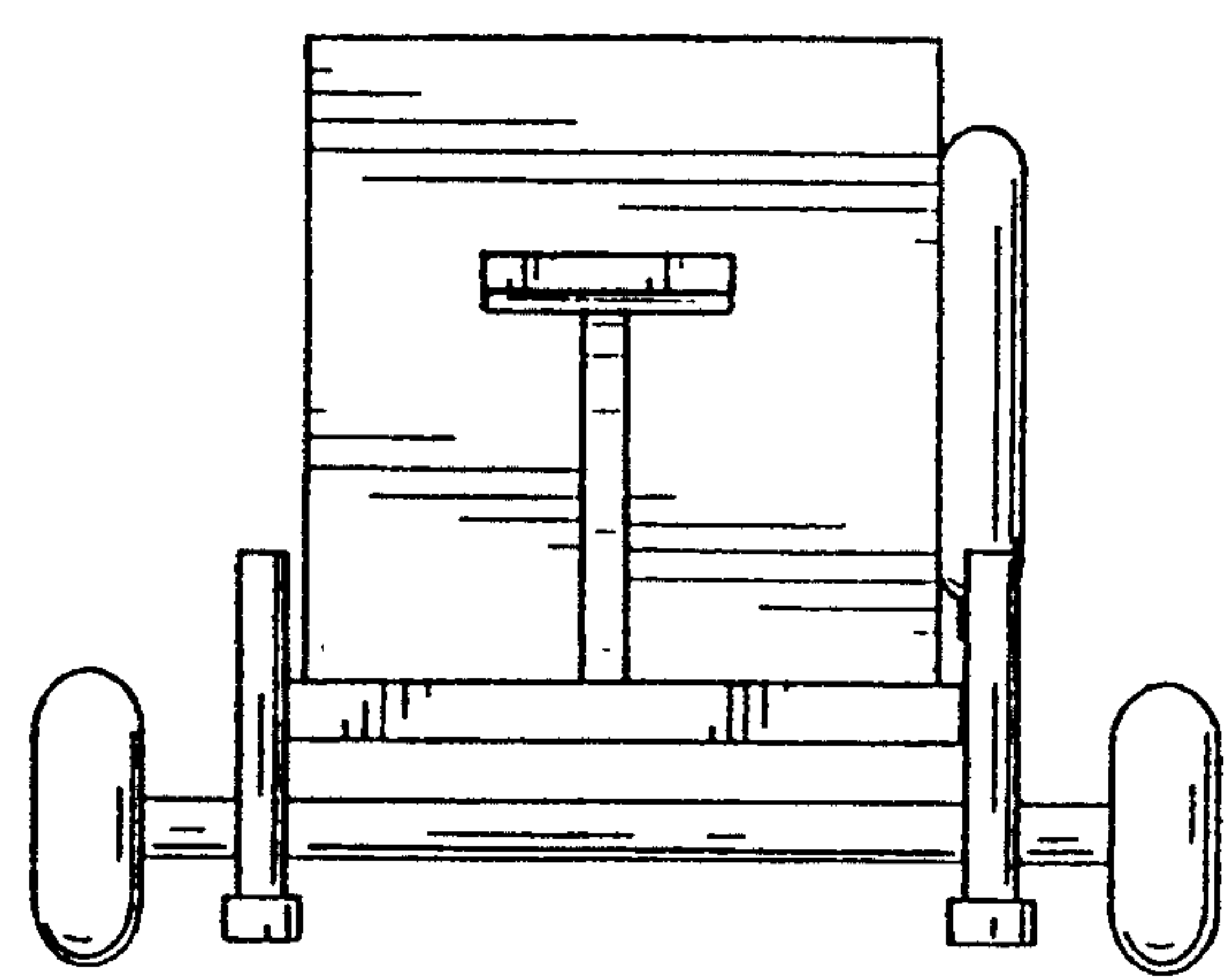


FIG. 6

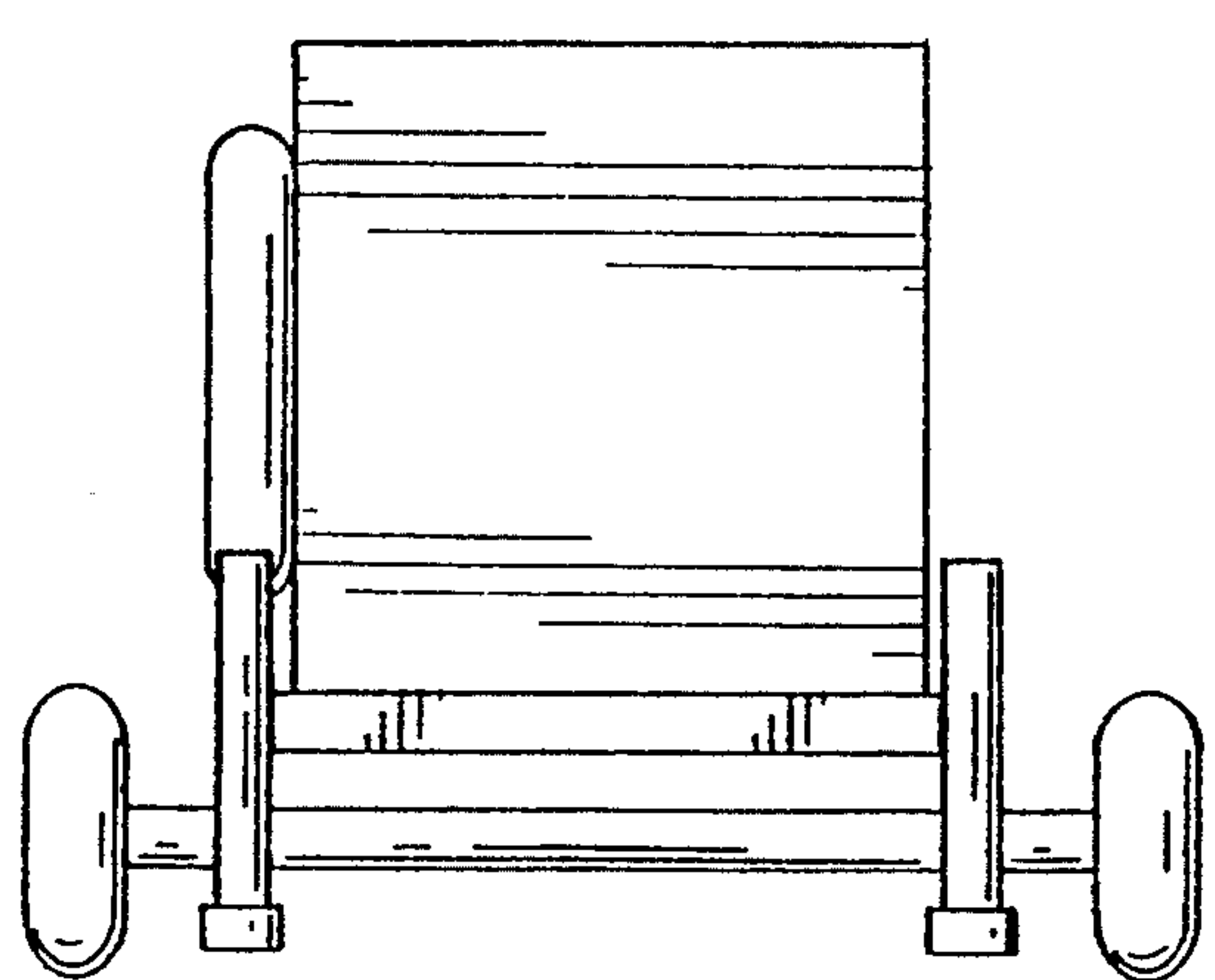


FIG. 7