



US00D350959S

United States Patent [19]

[11] Patent Number: **Des. 350,959**

Sumikawa

[45] Date of Patent: **** Sep. 27, 1994**

[54] **TAPE PLAYER COMBINED WITH A RADIO TUNER**

D. 319,236 8/1991 Ito et al. D14/188 X
D. 320,017 9/1991 Ikeyama et al. D15/165
D. 336,296 6/1993 Wada D14/165

[75] Inventor: **Shinichi Sumikawa**, Tokyo, Japan

Primary Examiner—Theodore M. Shooman
Attorney, Agent, or Firm—Lewis H. Eslinger; Jay H. Maioli

[73] Assignee: **Sony Corporation**, Tokyo, Japan

[**] Term: **14 Years**

[21] Appl. No.: **938,657**

[57] **CLAIM**

[22] Filed: **Sep. 3, 1992**

The ornamental design for a tape player combined with radio tuner, as shown and described.

[30] **Foreign Application Priority Data**

DESCRIPTION

Apr. 21, 1992 [JP] Japan 4-11801

[52] U.S. Cl. **D14/163; D14/165**

[58] Field of Search 455/344, 347-351;
D14/124, 160-168, 188-190, 192-198, 217,
257, 260, 299

FIG. 1 is a top view showing my new design;
FIG. 2 is a left-side view thereof;
FIG. 3 is a front view thereof;
FIG. 4 is a right-side view thereof;
FIG. 5 is a backview thereof;
FIG. 6 is a bottom view thereof;
FIG. 7 is a perspective view thereof;
FIG. 8 is a perspective view in the open position thereof; and,
FIG. 9 is a perspective view with the belt attached.

[56] **References Cited**

U.S. PATENT DOCUMENTS

D. 305,762 1/1990 Yoda et al. D14/163
D. 310,526 9/1990 Tsuboi D14/188 X

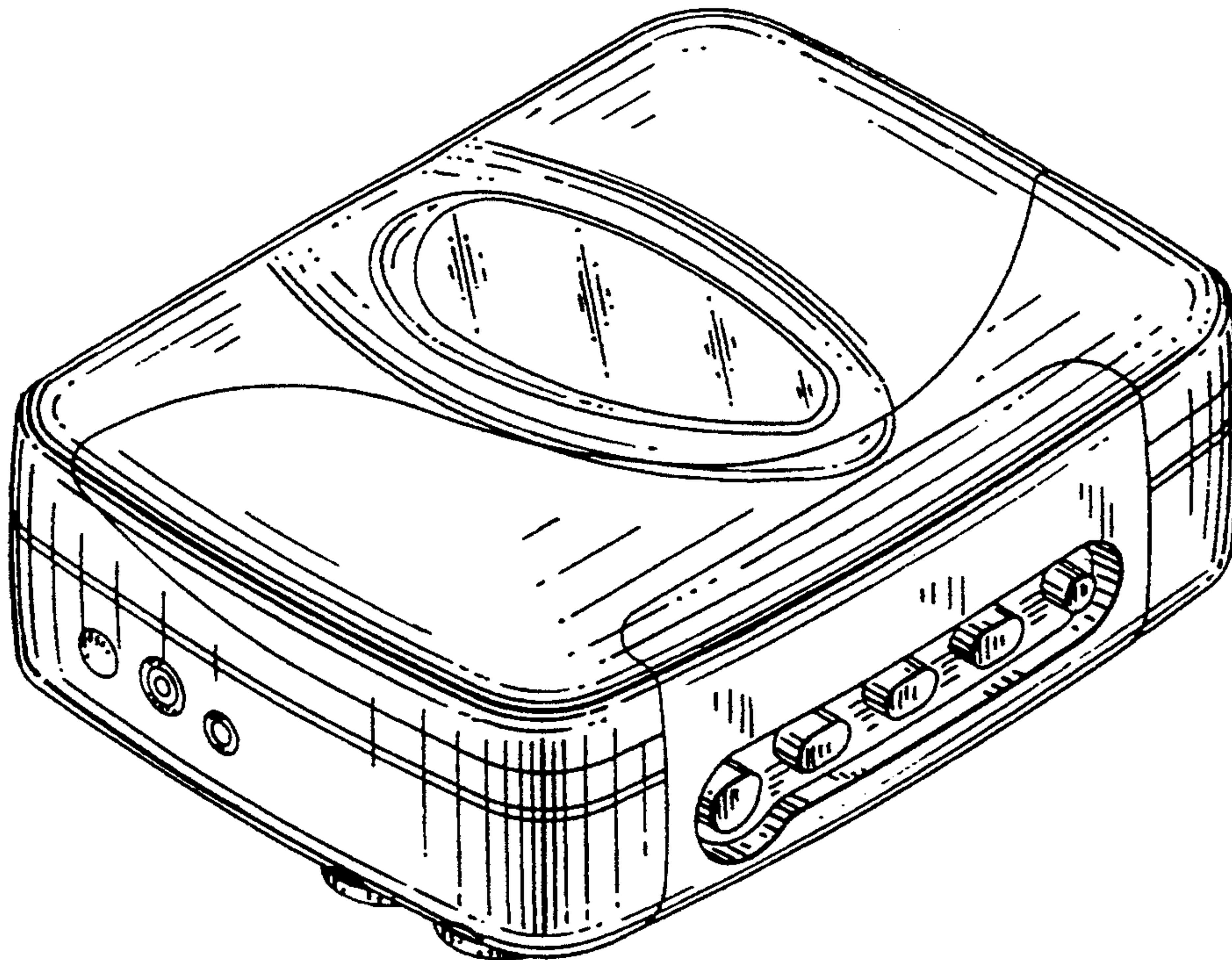


FIG. 1

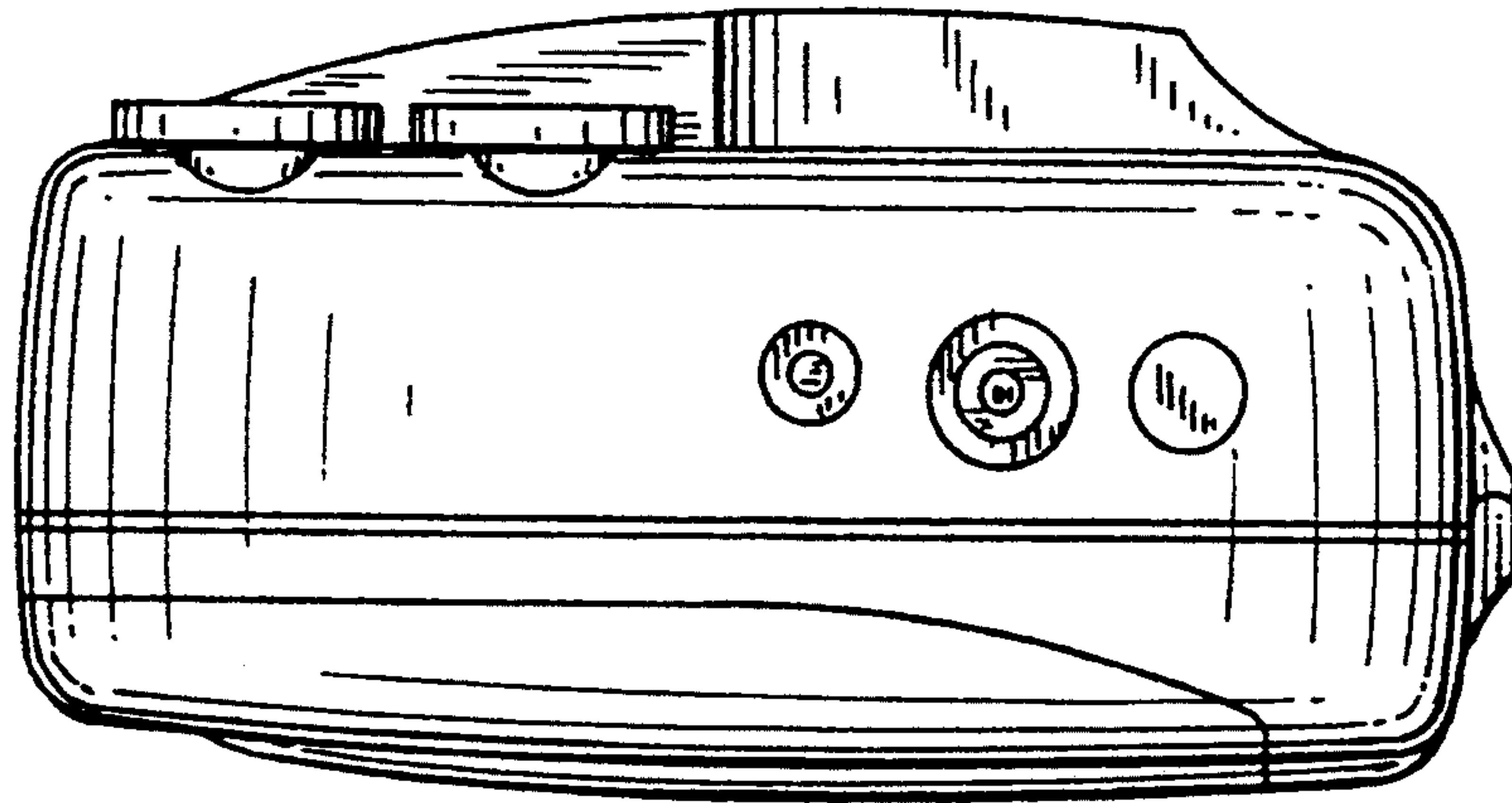


FIG. 2

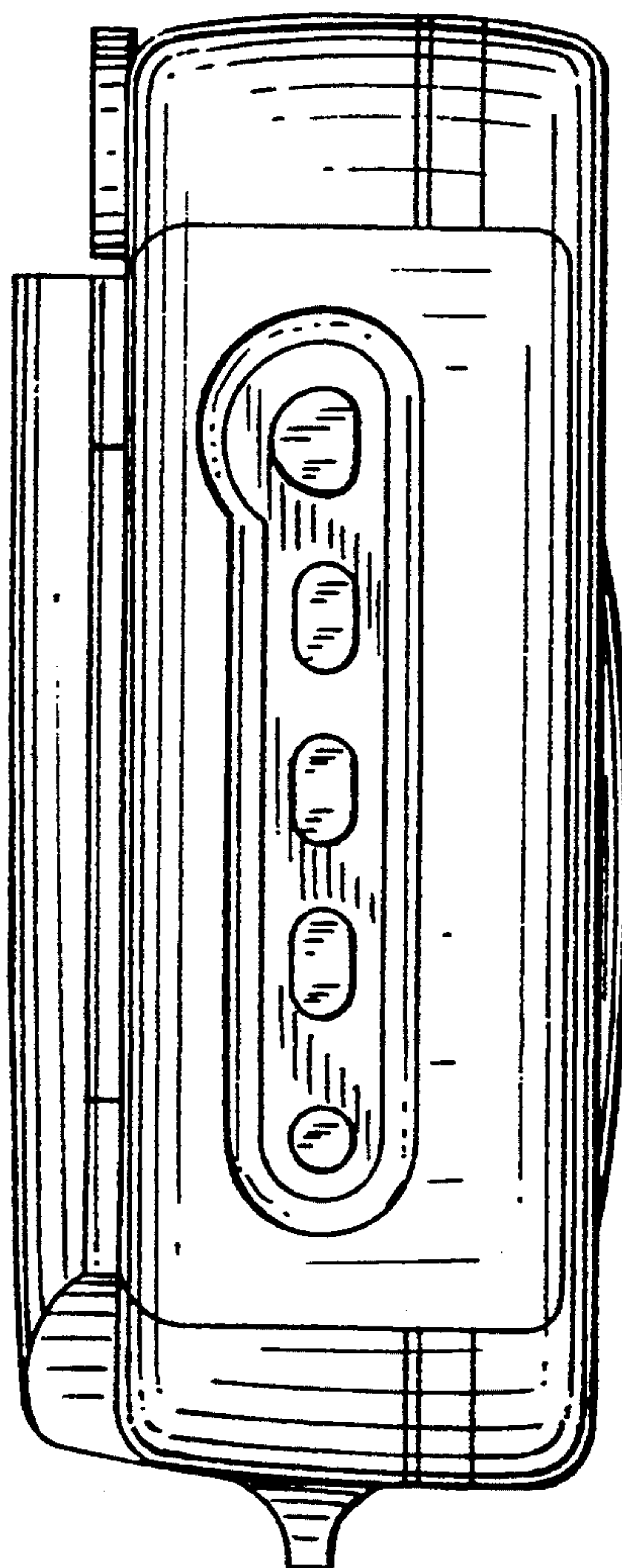


FIG. 4

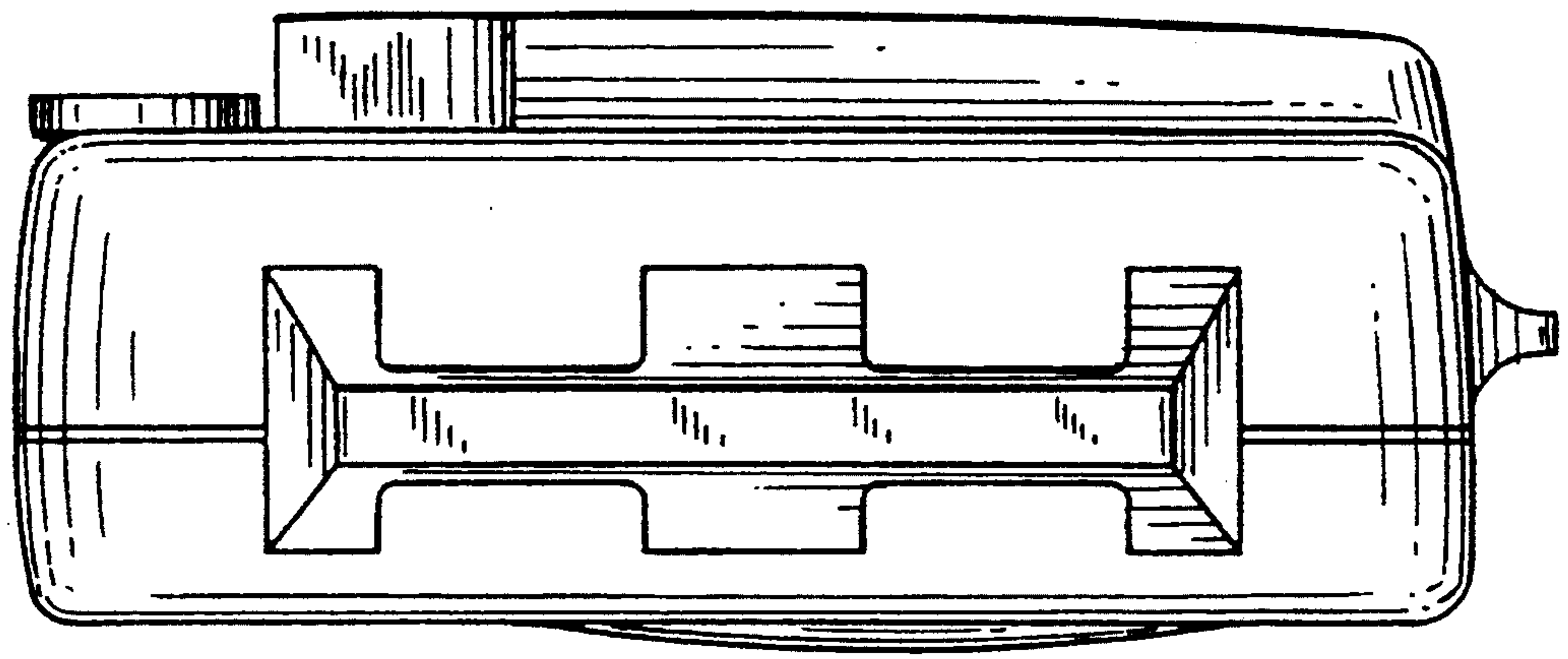


FIG. 3

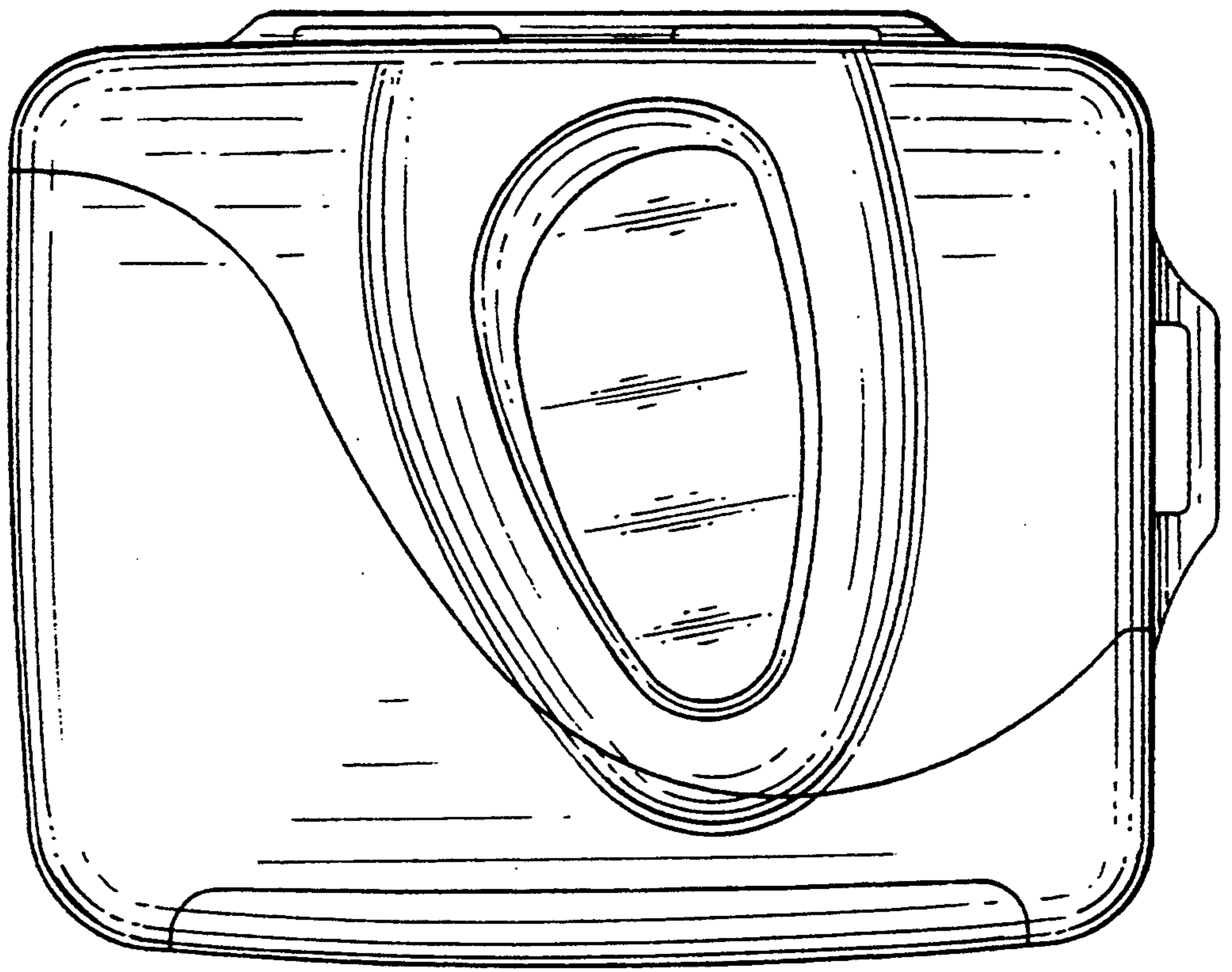


FIG. 5

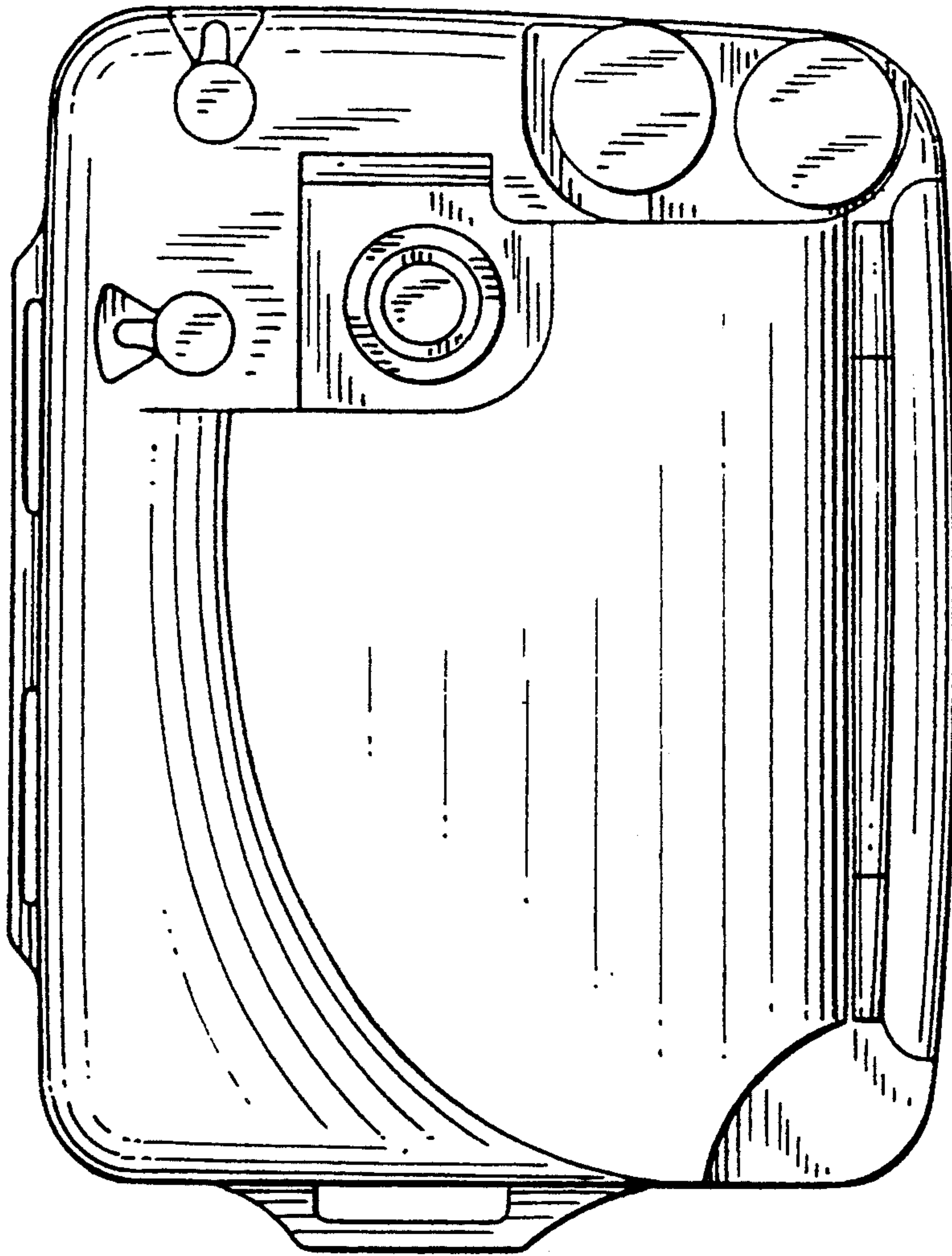


FIG. 6

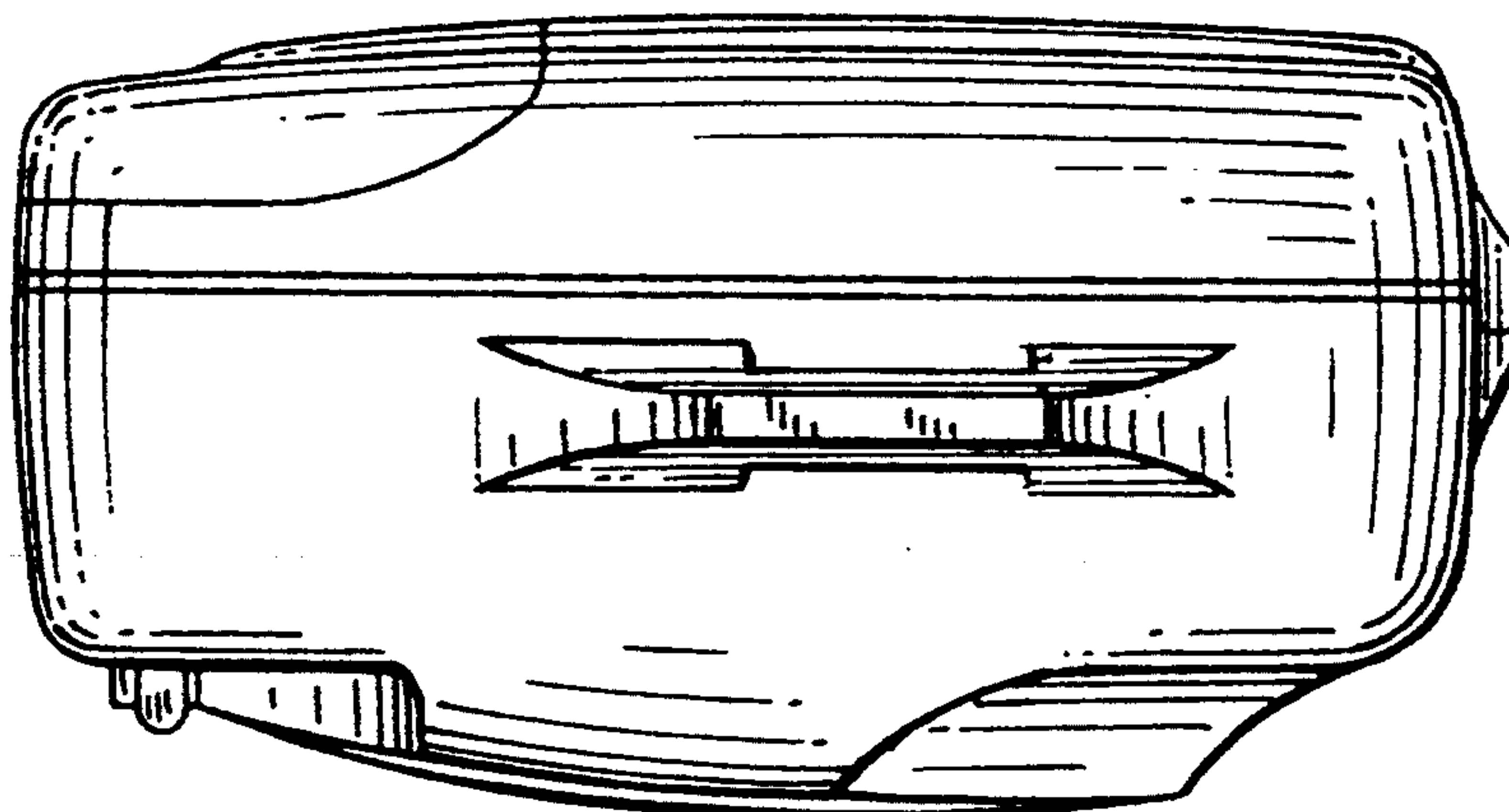


FIG.7

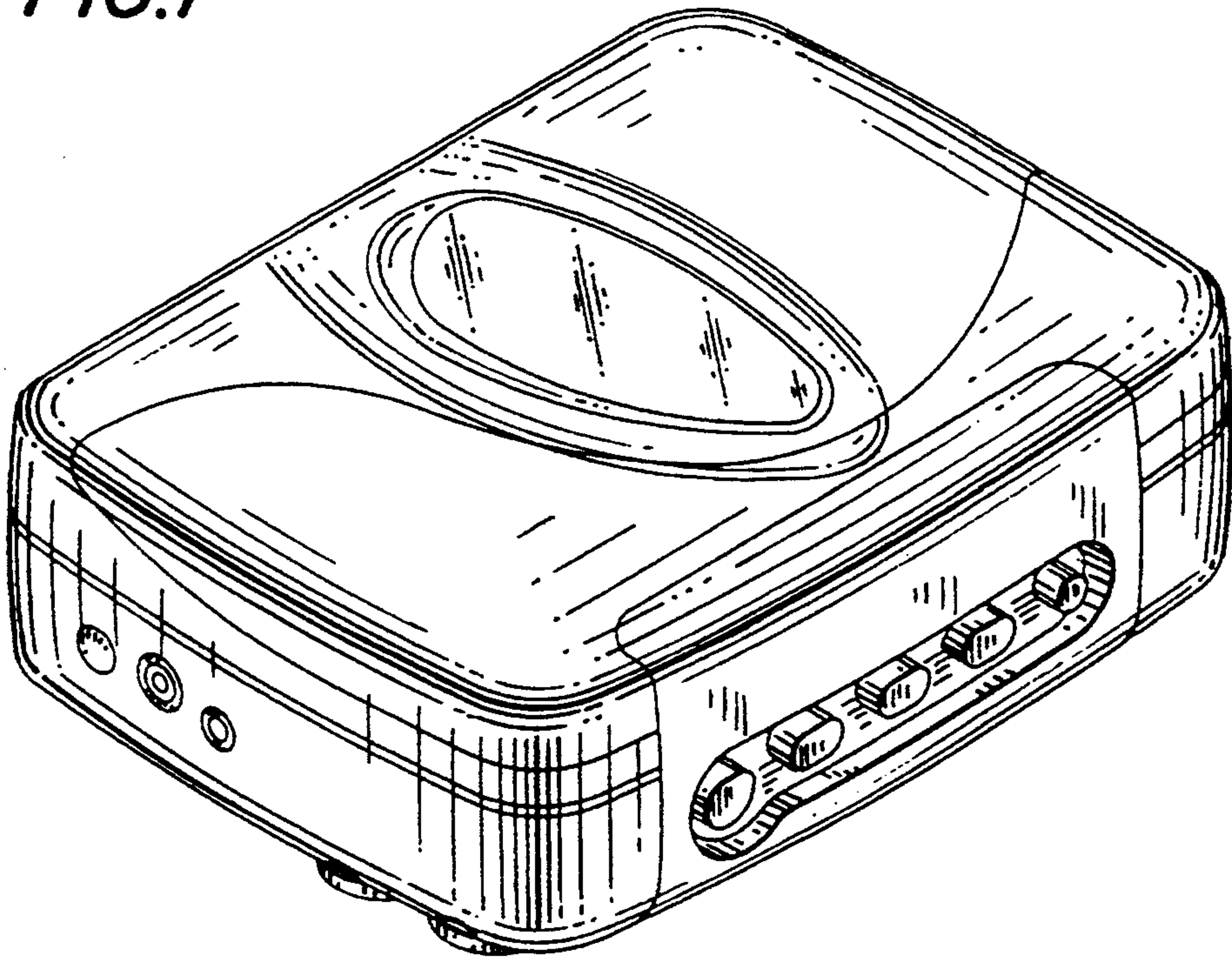
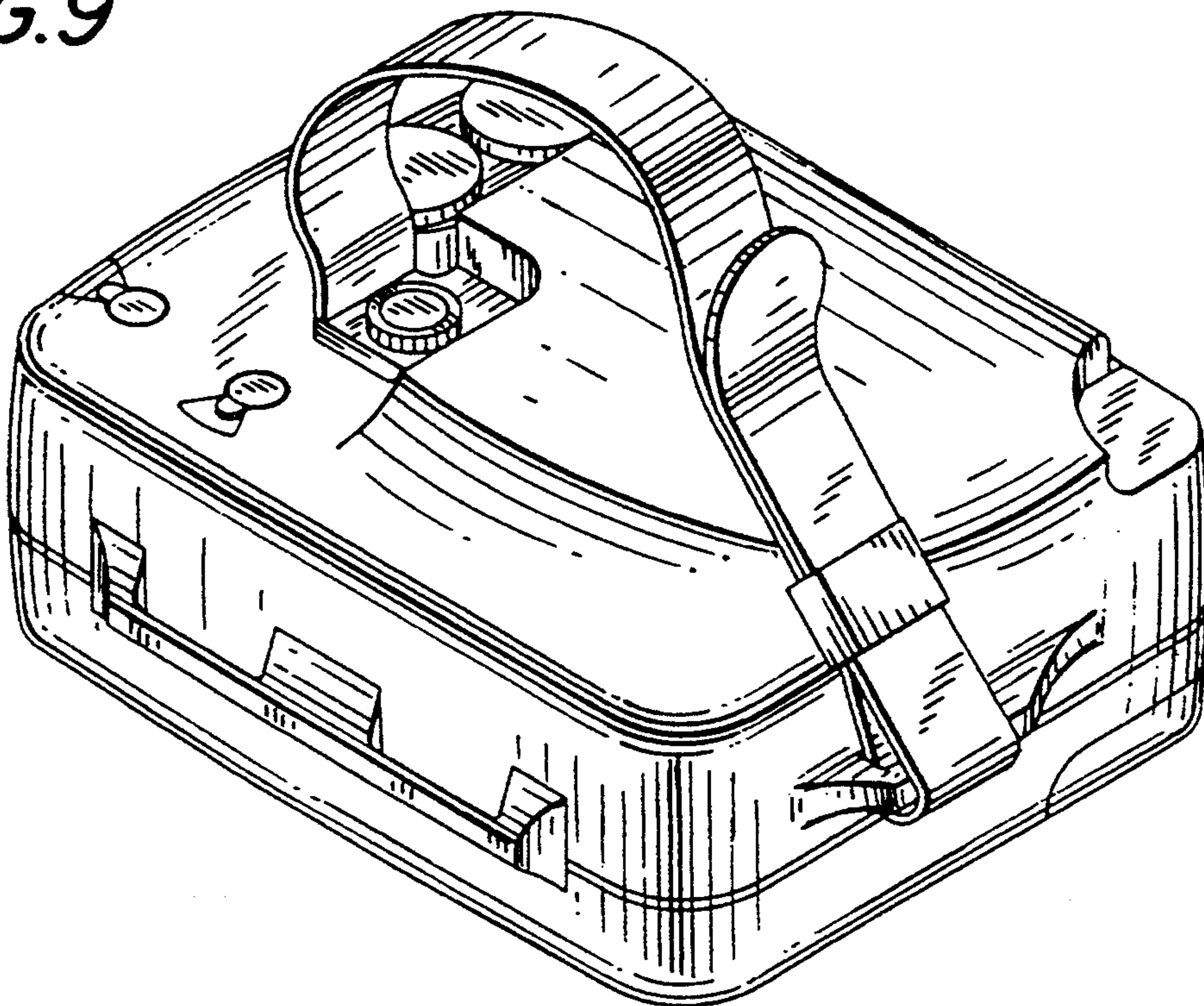


FIG.9



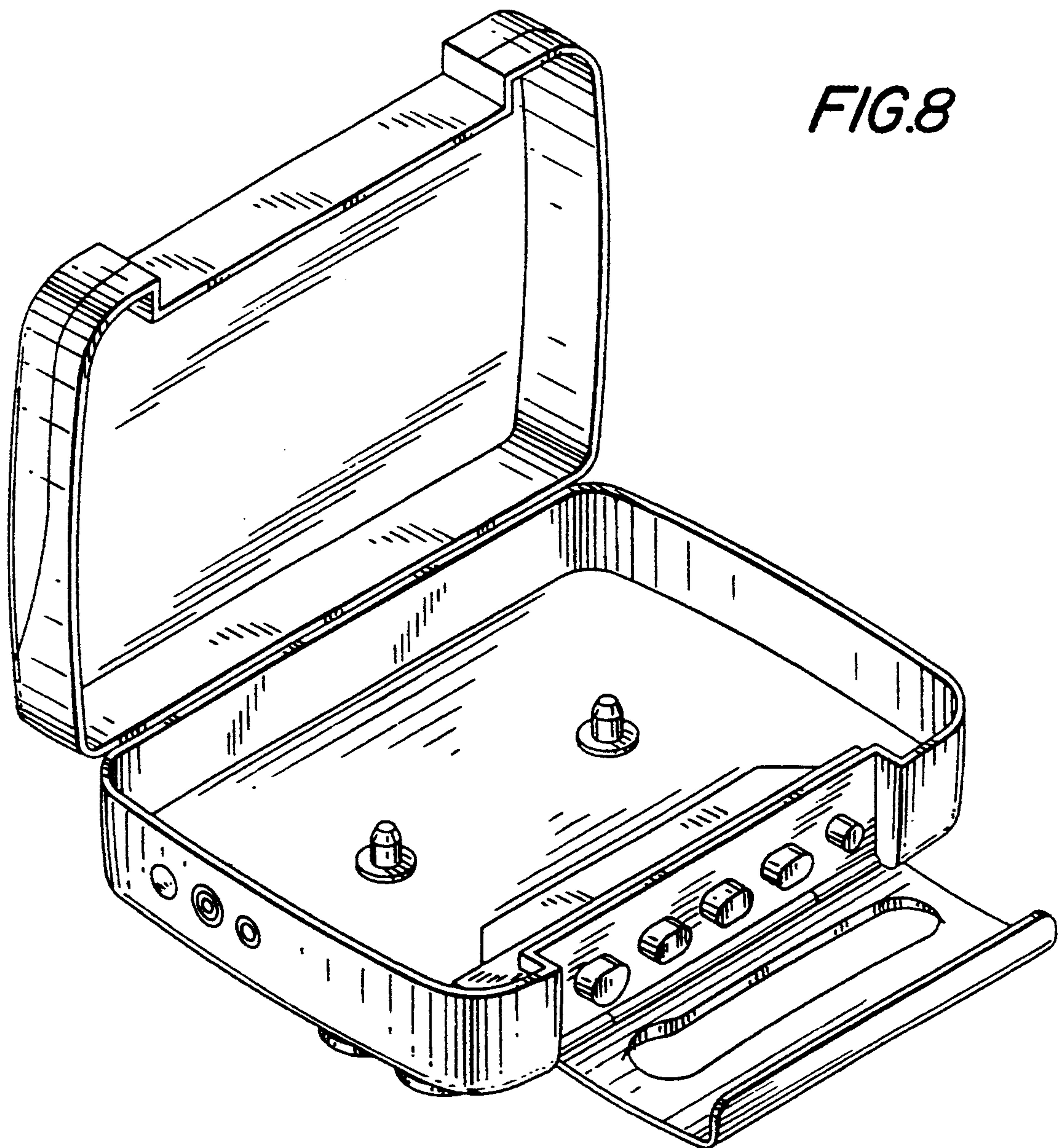


FIG.8