



US00D350955S

United States Patent [19]

Pucci et al.

[11] Patent Number: **Des. 350,955**

[45] Date of Patent: **** Sep. 27, 1994**

[54] **ELECTRICAL RECEPTACLE**

5,190,476 3/1993 Chaillot 439/701 X

[75] Inventors: **Franco G. Pucci; Michael D. Wythe,**
both of Durban; **Kevin E. Moulder,**
Westville, all of South Africa

[73] Assignee: **Control Logic (Proprietary) Limited,**
Natal Province, South Africa

[**] Term: **14 Years**

[21] Appl. No.: **2,971**

[22] Filed: **Dec. 23, 1992**

[30] **Foreign Application Priority Data**

Jun. 26, 1992 [ZA] South Africa 92/0648

[52] U.S. Cl. **D13/146**

[58] Field of Search 439/350, 380, 383, 701;
D13/133, 146, 147

[56] **References Cited**

U.S. PATENT DOCUMENTS

D. 286,397 10/1986 Challans D13/133

OTHER PUBLICATIONS

Receptacles on p. 29K of *Molex Catalog No. 890*, 1990.
Power Jack 28-0170 on p. 170 of *MCM Electronics*
Spring 1991 Catalog.

Primary Examiner—Wallace R. Burke

Assistant Examiner—Joel Sincavage

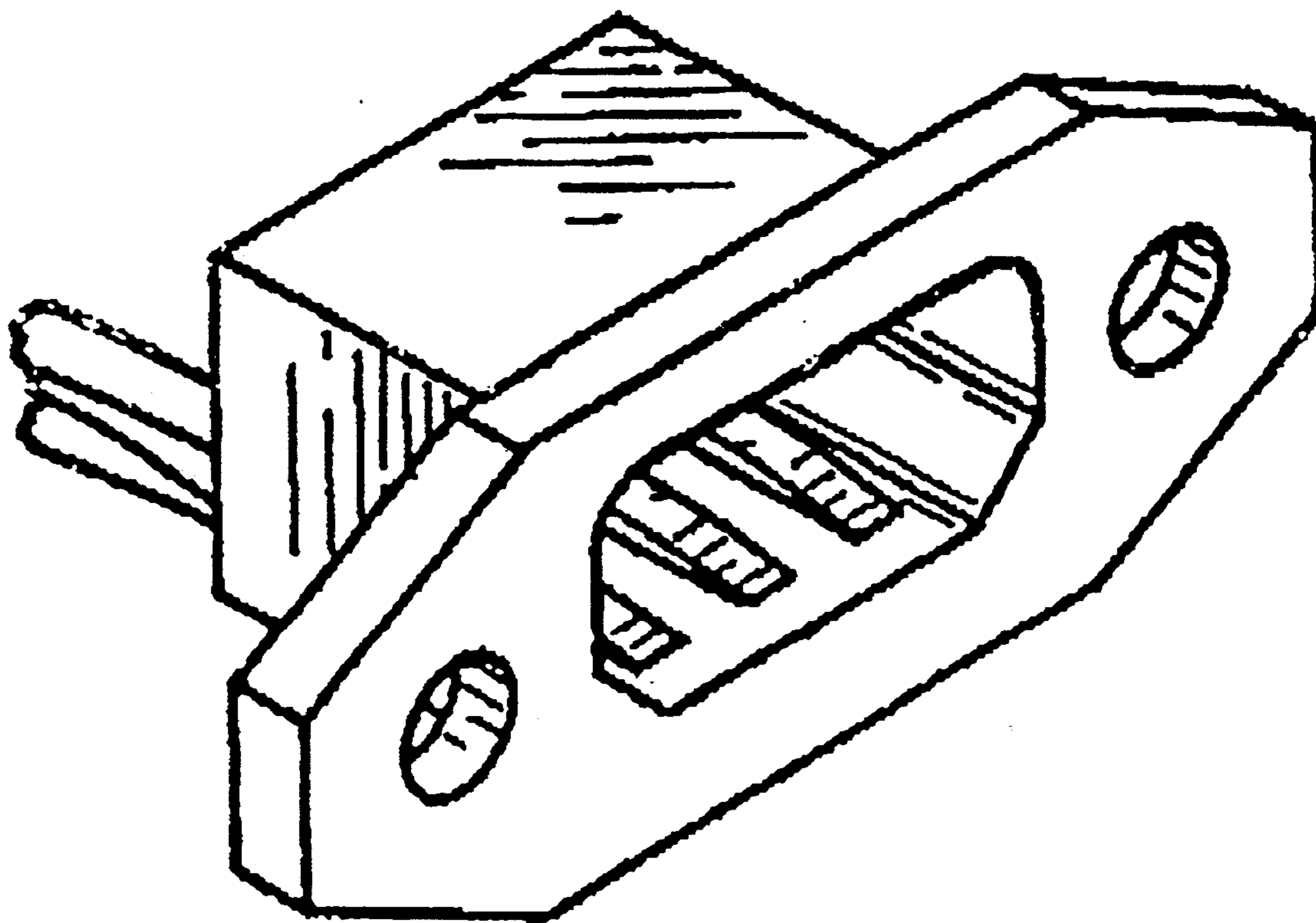
Attorney, Agent, or Firm—Birch, Stewart, Kolasch &
Birch

[57] CLAIM

The ornamental design for an electrical receptacle, as
shown and described.

DESCRIPTION

FIG. 1 is a front and upper left isometric view of an
electrical receptacle showing our new design;
FIG. 2 is a rear and lower right isometric view thereof;
FIG. 3 is a rear and upper left isometric view thereof;
and,
FIG. 4 is a front elevational view thereof.



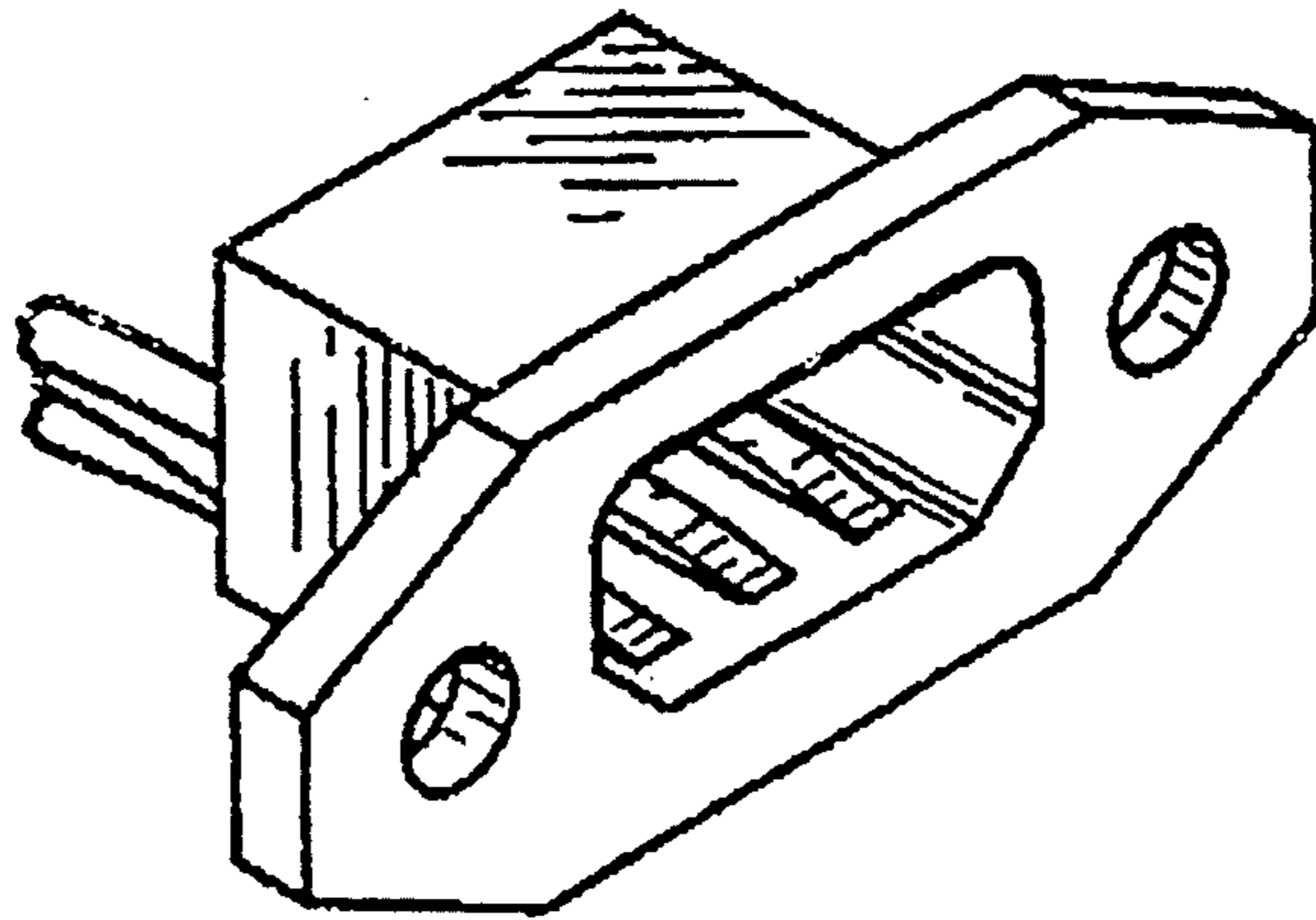


FIG. 1

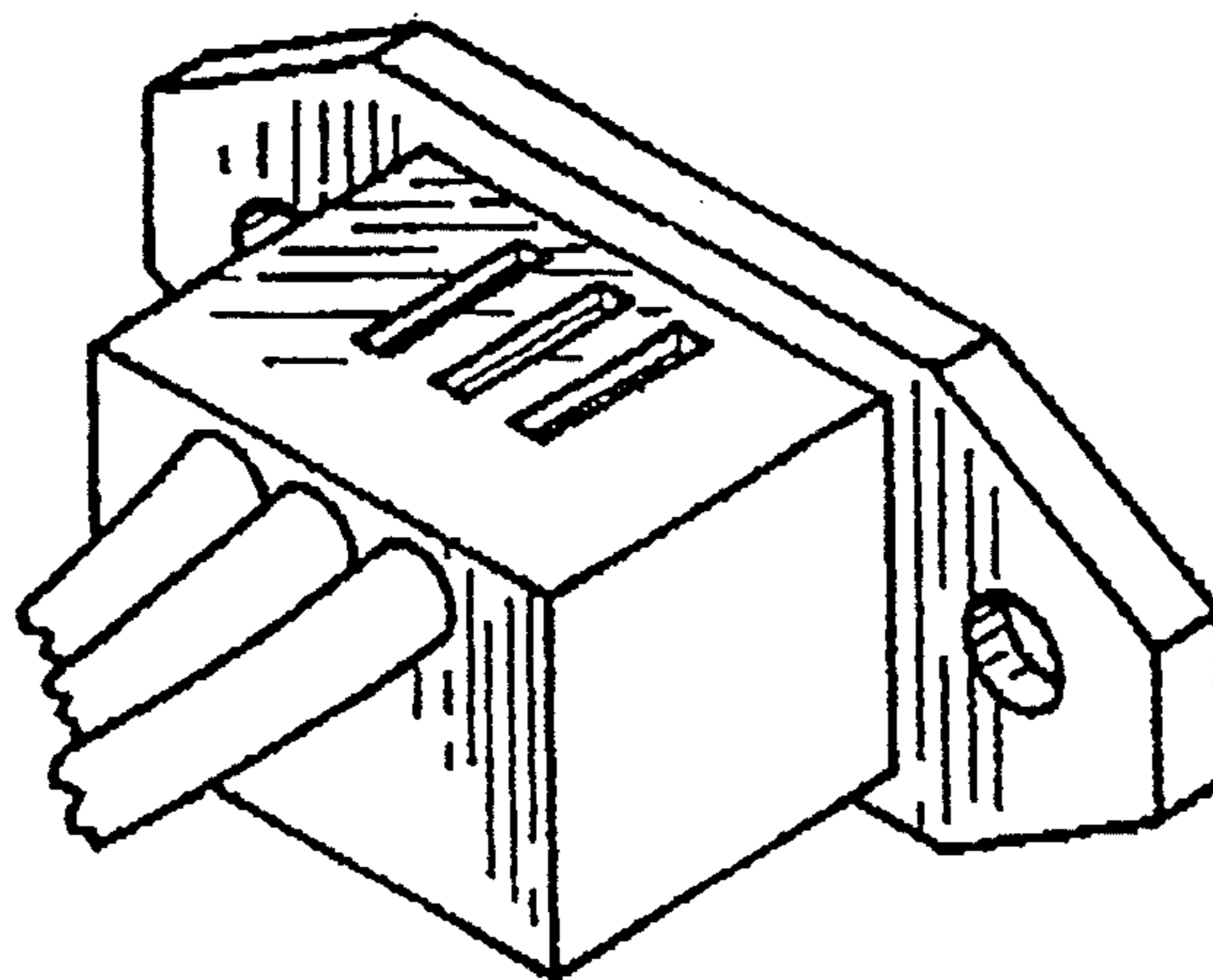


FIG. 2

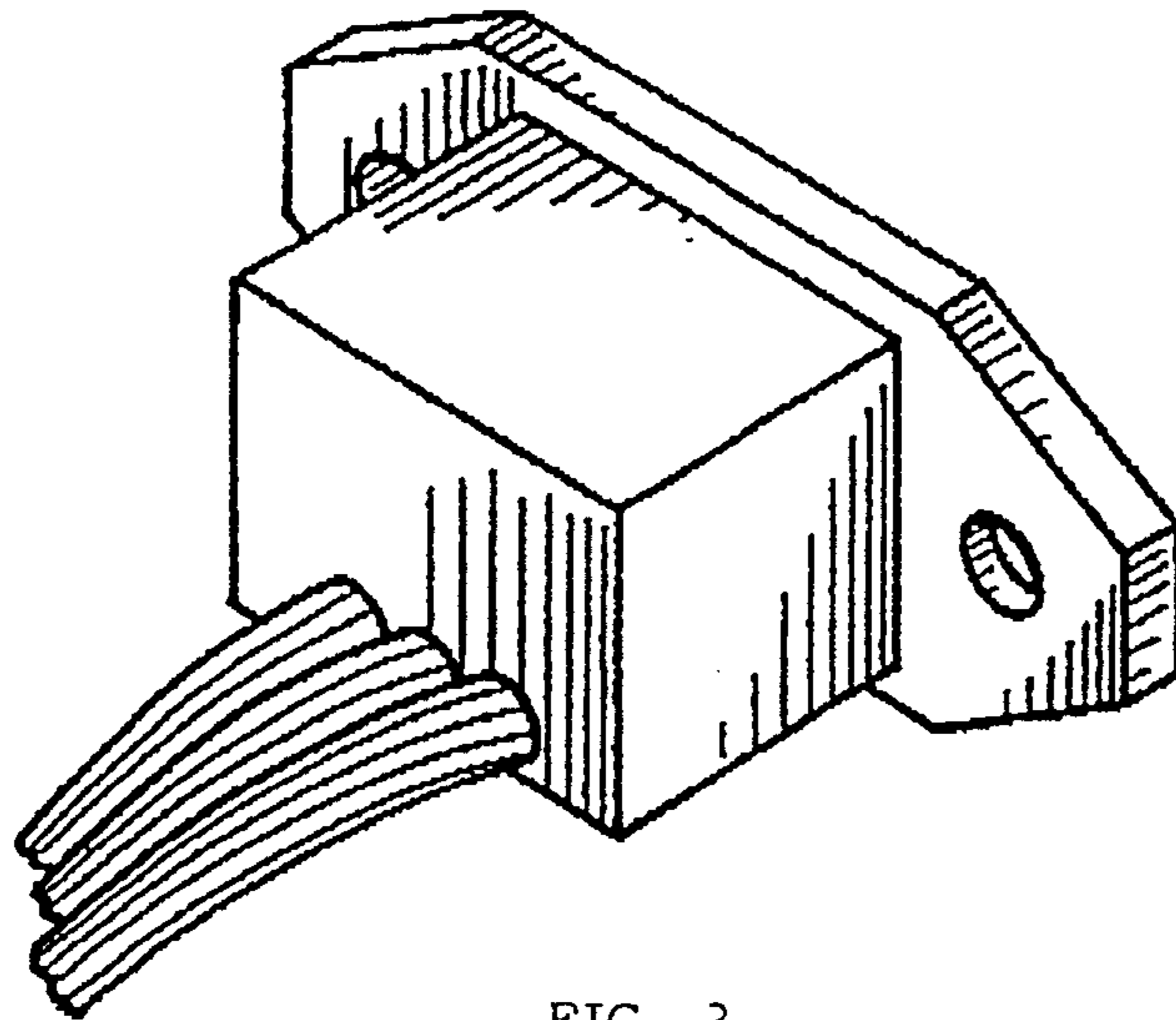


FIG. 3

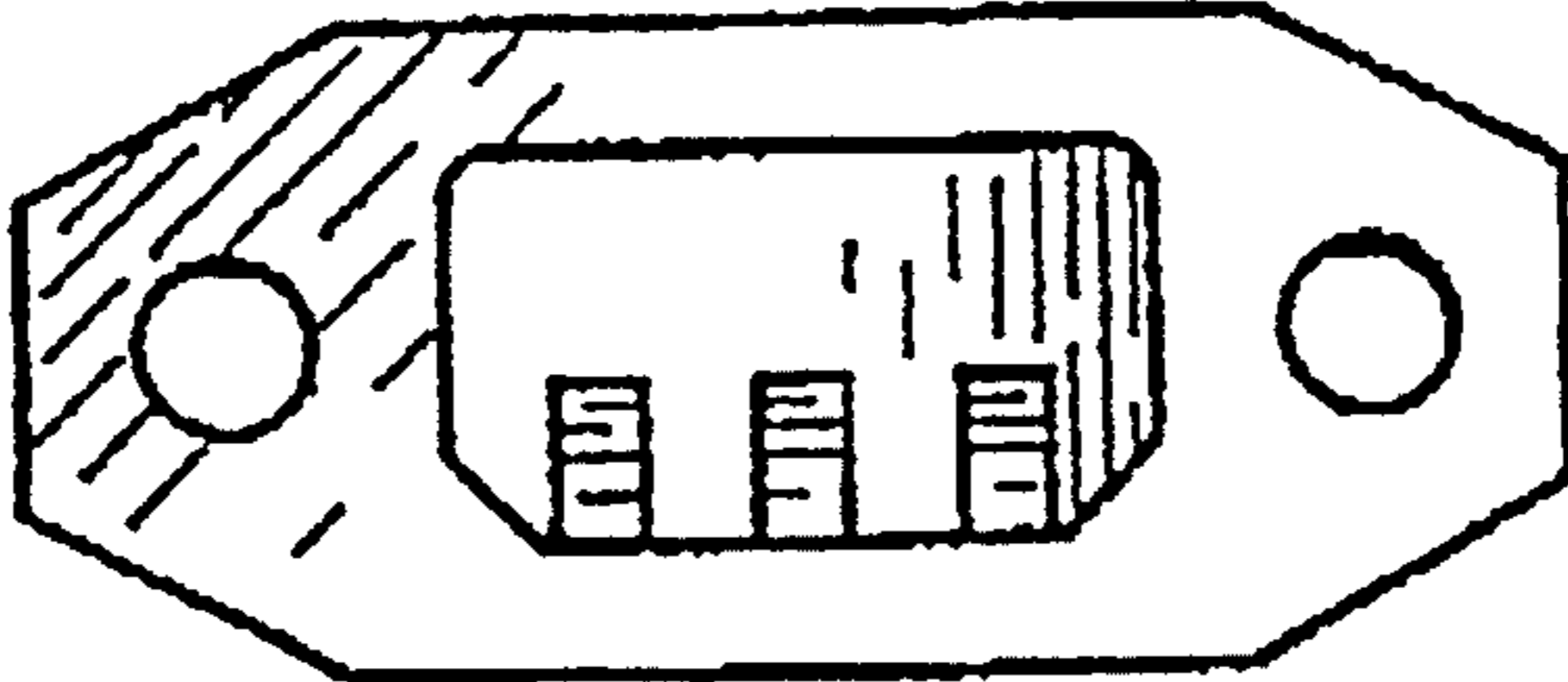


FIG. 4