



US00D350954S

# United States Patent [19] Park

[11] Patent Number: **Des. 350,954**

[45] Date of Patent: **\*\* Sep. 27, 1994**

[54] TELEVISION

[75] Inventor: **Kwang C. Park**, Seoul, Rep. of Korea

[73] Assignee: **Goldstar Co., Ltd.**, Seoul, Rep. of Korea

[\*\*] Term: **14 Years**

[21] Appl. No.: **15,419**

[22] Filed: **Nov. 17, 1993**

[30] Foreign Application Priority Data

Jul. 26, 1993 [KR] Rep. of Korea ..... 14956/1993

[52] U.S. Cl. .... **D14/126**

[58] Field of Search ..... 348/825, 838; 312/7.2;  
D14/125-134

[56] References Cited

U.S. PATENT DOCUMENTS

D. 305,757 1/1990 Kitagawa et al. .... D14/126

D. 306,289	2/1990	Lee .....	D14/126
D. 317,305	6/1991	Tanaka et al. ....	D14/126
D. 336,643	6/1993	Kitashima et al. ....	D14/126
D. 342,495	12/1993	Morita et al. ....	D14/126
D. 342,498	12/1993	Nakamura et al. ....	D14/126
D. 342,502	12/1993	Fukatsu et al. ....	D14/126

*Primary Examiner*—Theodore M. Shooman  
*Attorney, Agent, or Firm*—Beveridge, DeGrandi,  
Weilacher & Young

[57] CLAIM

The ornamental design for a television, as shown.

### DESCRIPTION

FIG. 1 is a perspective view thereof;  
FIG. 2 is a front elevational view thereof;  
FIG. 3 is a rear elevational view thereof;  
FIG. 4 is a right side elevational view thereof, the left side being a mirror image;  
FIG. 5 is a top plan view thereof; and,  
FIG. 6 is a bottom plan view thereof.

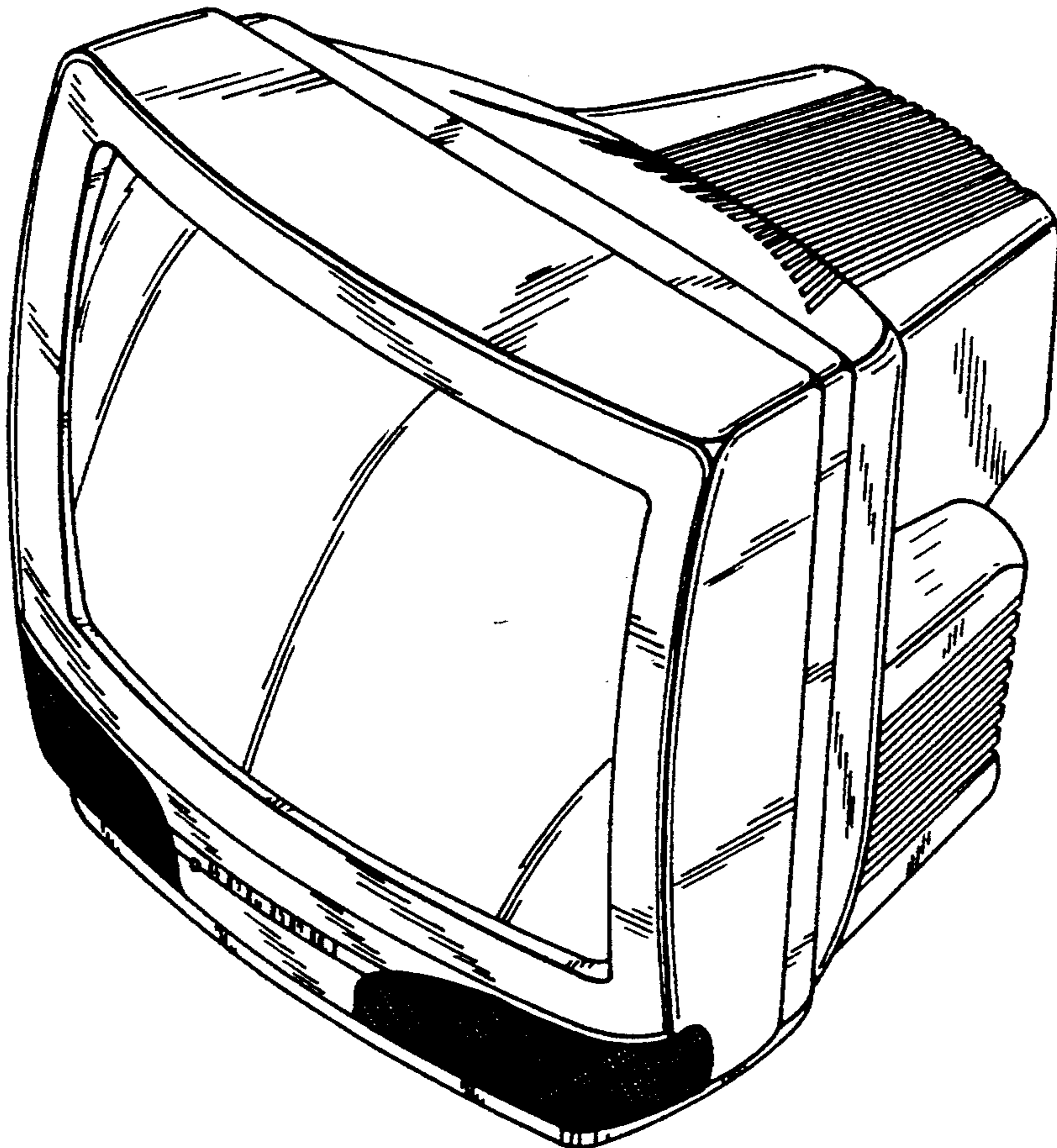


FIG. 1

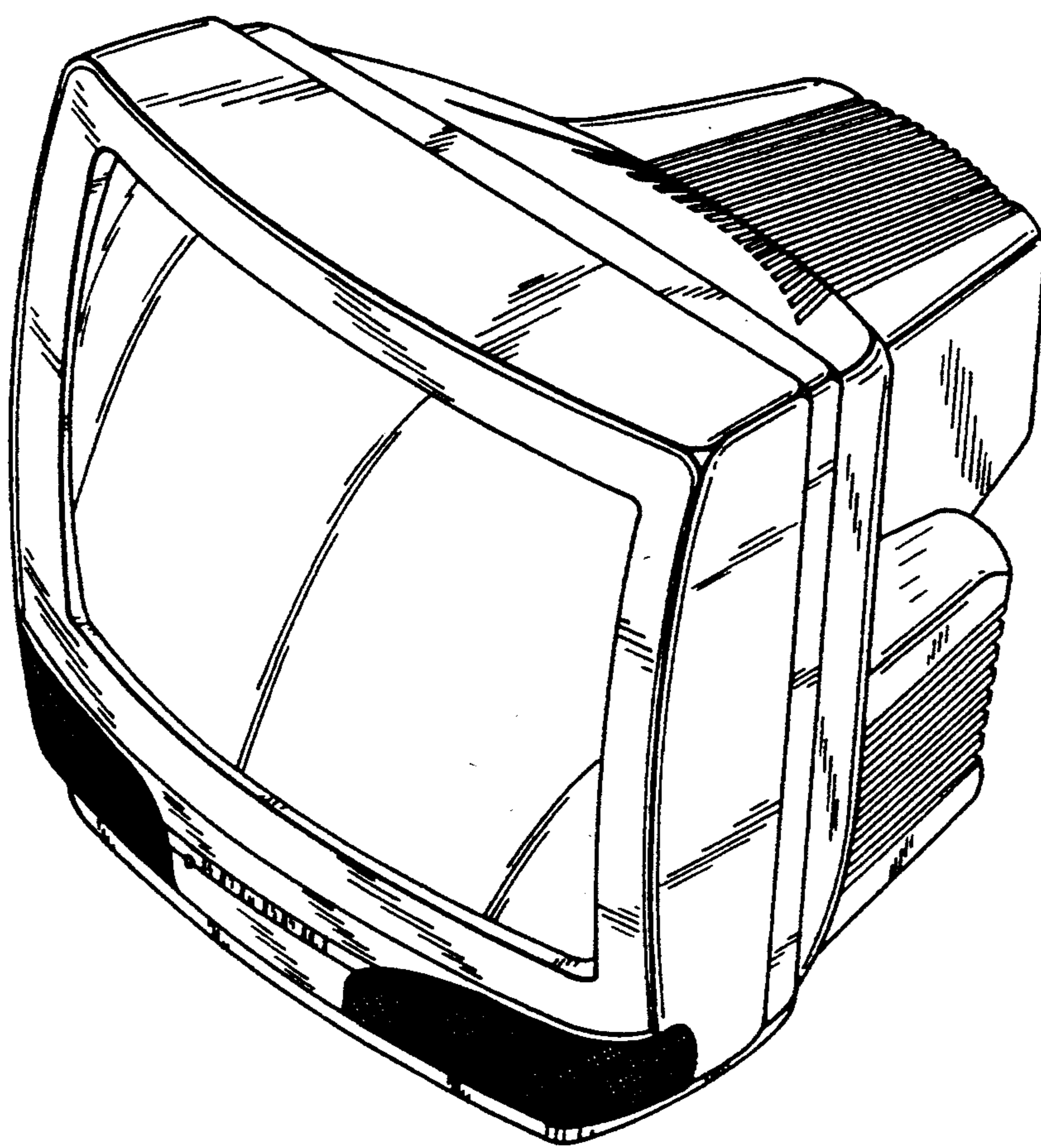


FIG. 2

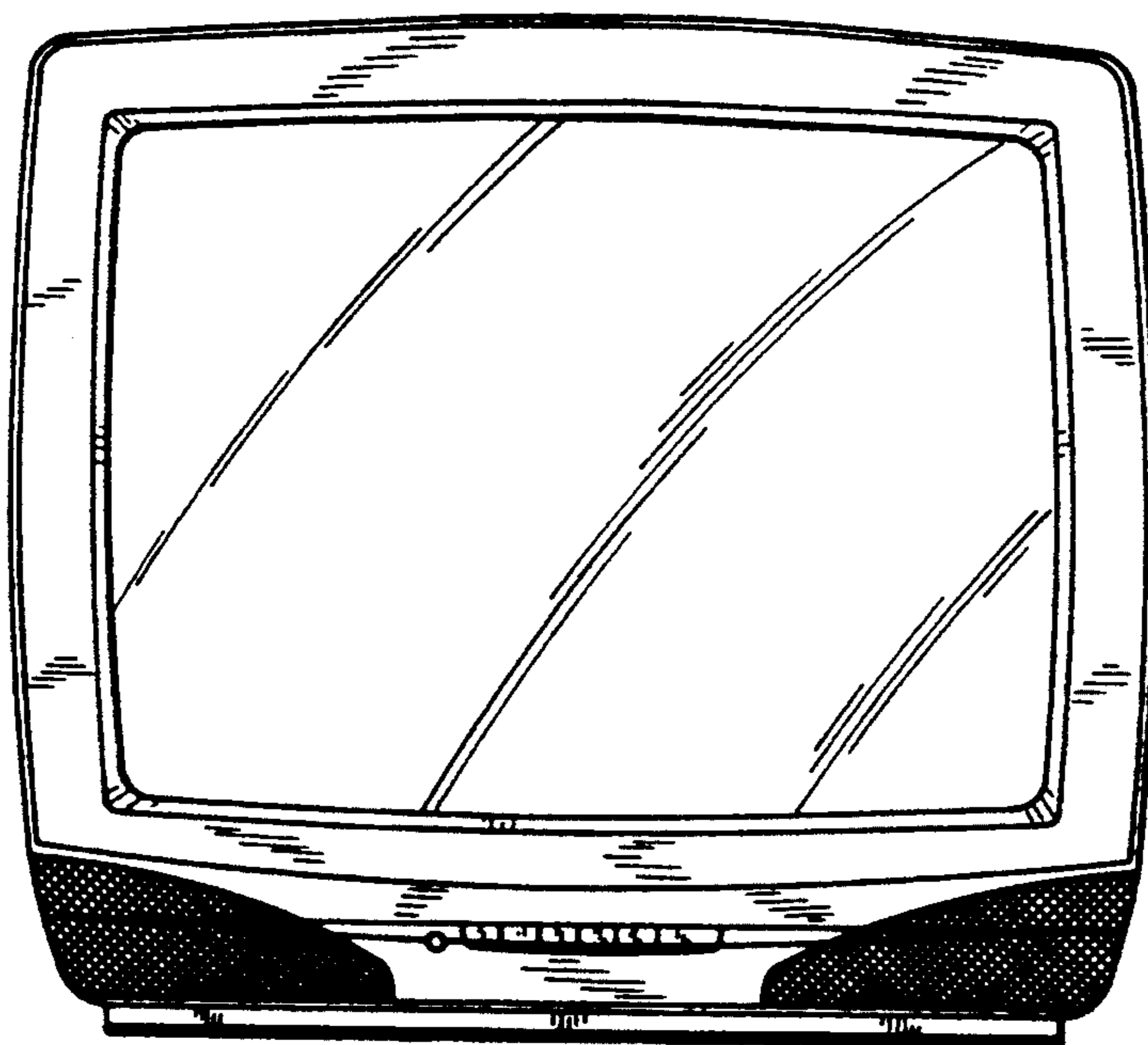


FIG. 3

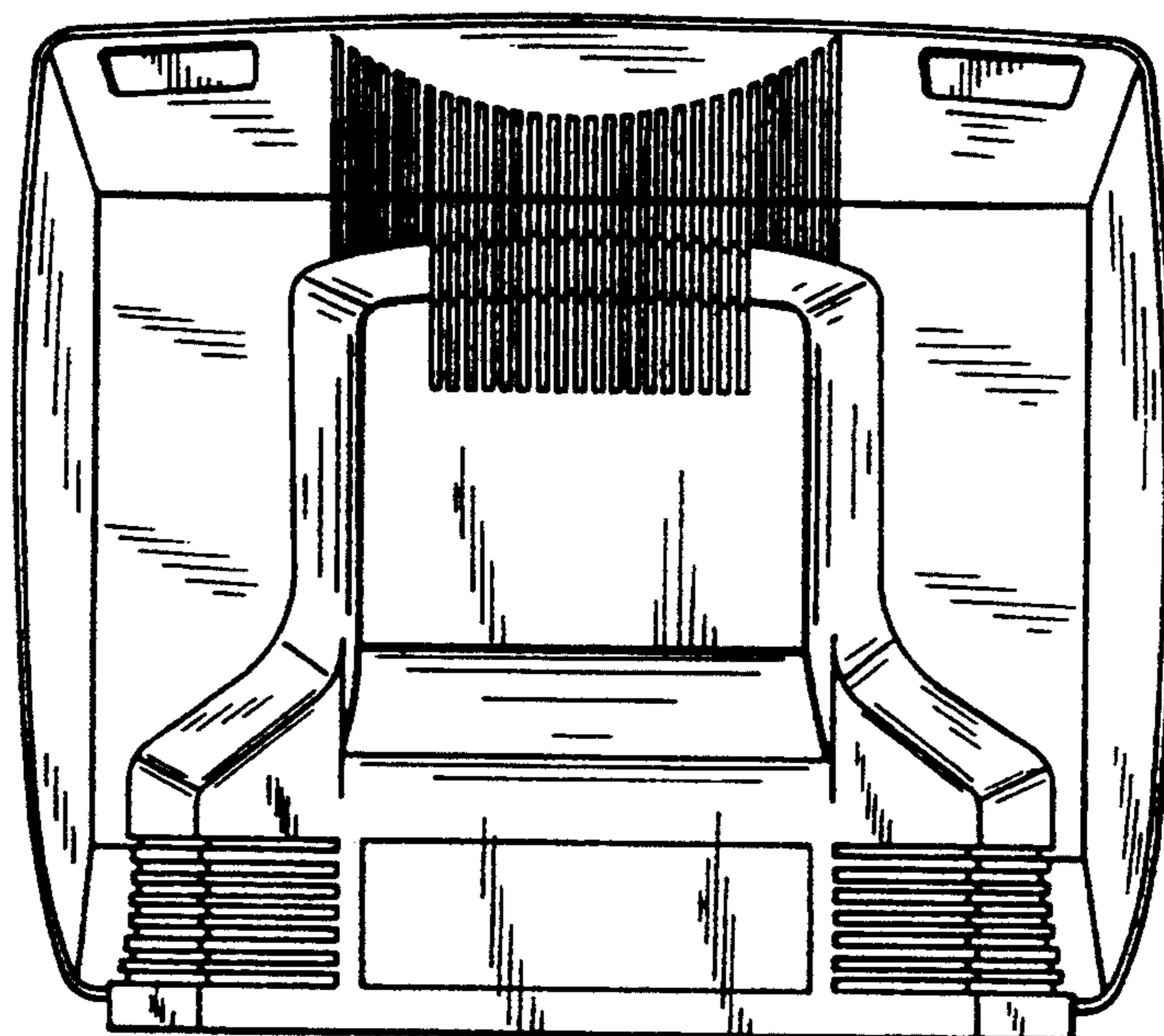


FIG. 4

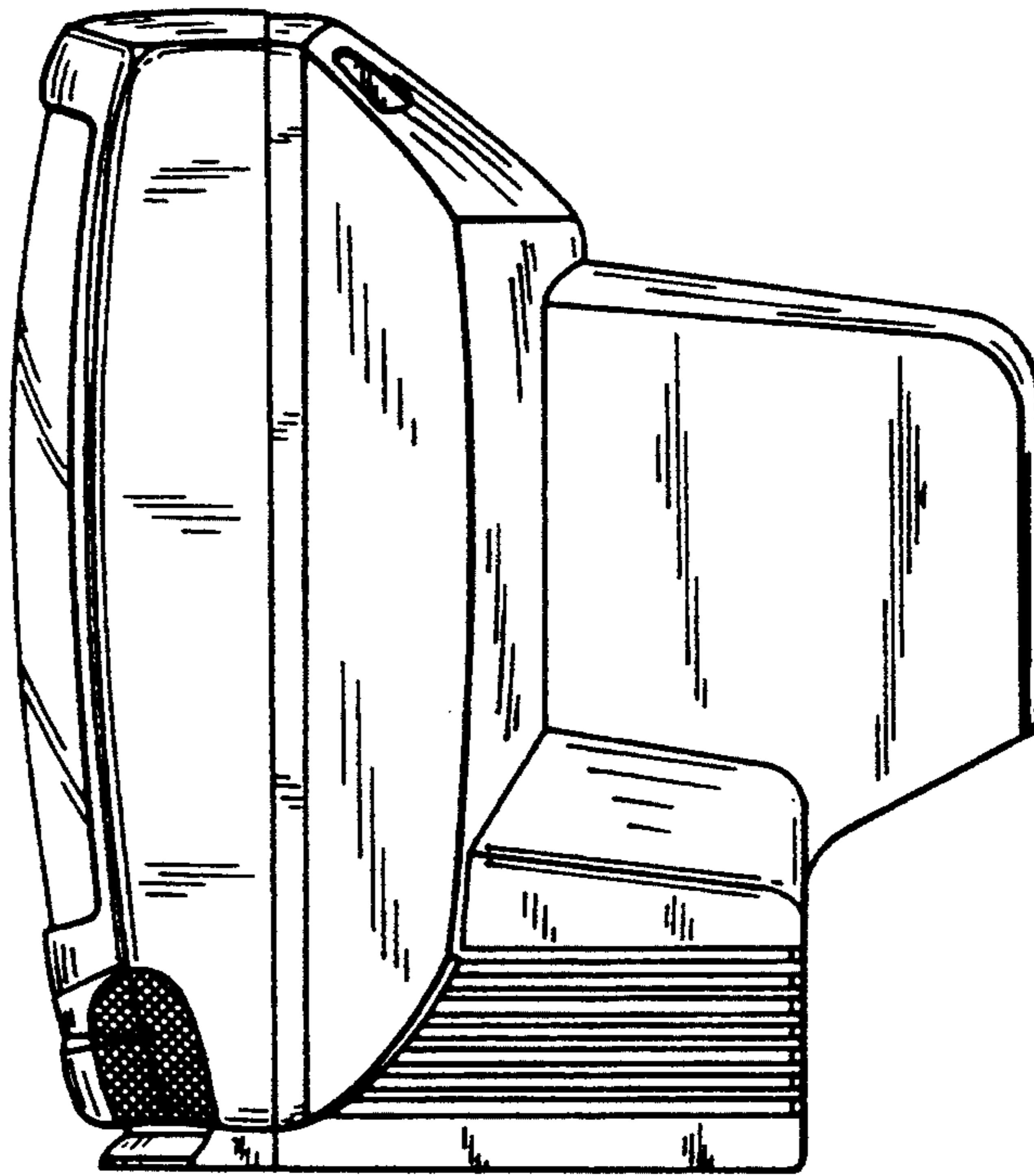


FIG. 5

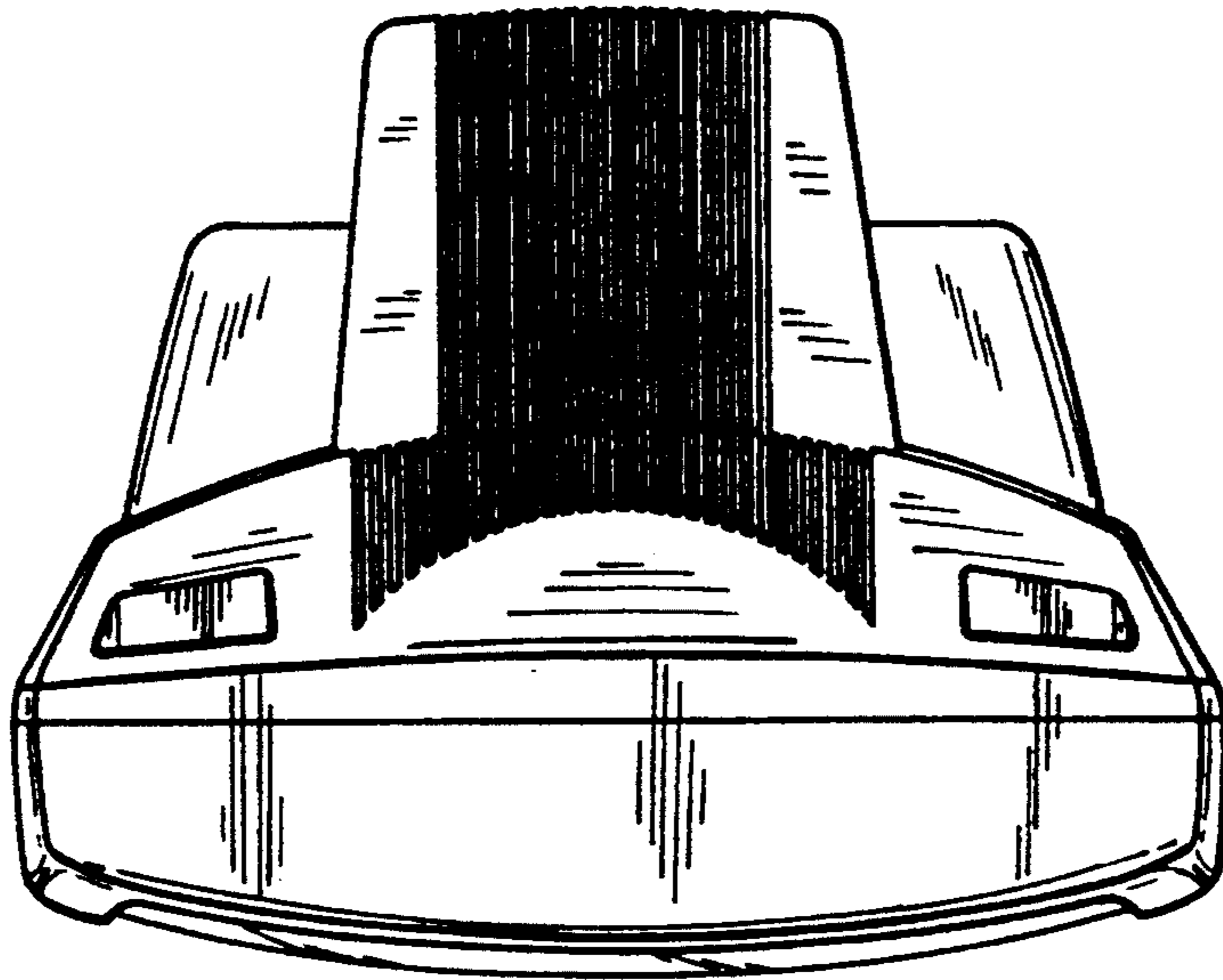


FIG. 6

