



US00D350947S

# United States Patent [19]

[11] Patent Number: **Des. 350,947**

**Klinger et al.**

[45] Date of Patent: **\*\* Sep. 27, 1994**

[54] **COMBINED MOUSE CORD HOLDER AND CLIP**

[76] Inventors: **Robert C. Klinger**, 311 Shady Nook Rd., Harleysville, Pa. 19438; **Troy E. Bergstrom**, 105 Cypress Dr., Quakertown, Pa. 18951

[\*\*] Term: **14 Years**

[21] Appl. No.: **948,897**

[22] Filed: **Sep. 21, 1992**

[52] U.S. Cl. .... **D14/114; D8/395; D8/396**

[58] Field of Search ..... 24/10 R, 11 PP, 115 R, 24/129 R, DIG. 9; D8/356, 394-395; D14/114; D19/56

[56] **References Cited**

**U.S. PATENT DOCUMENTS**

884,256	4/1908	Addie	24/11 PP
1,481,984	1/1924	Carnett	24/11 PP
3,105,279	10/1963	Westhoff	24/10 R X
3,911,531	10/1975	Buturuga	24/10 R
5,066,154	11/1991	Renaud	24/10 R X
5,184,375	2/1993	Hoyt	24/11 PP X

*Primary Examiner*—Wallace R. Burke  
*Assistant Examiner*—M. H. Tung  
*Attorney, Agent, or Firm*—Joseph W. Molasky & Associates

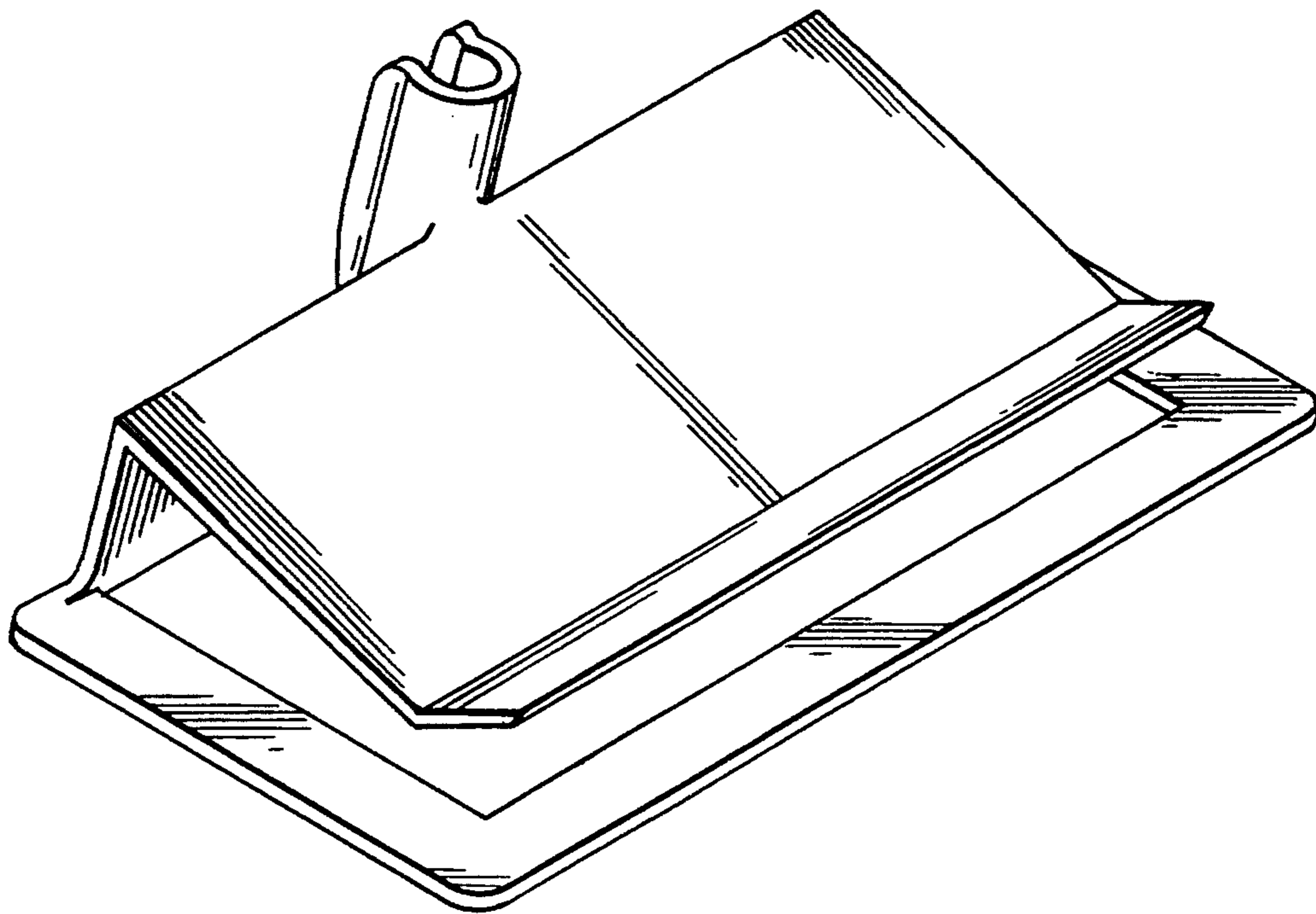
[57] **CLAIM**

The ornamental design for a combined mouse cord holder and clip, as shown and described.

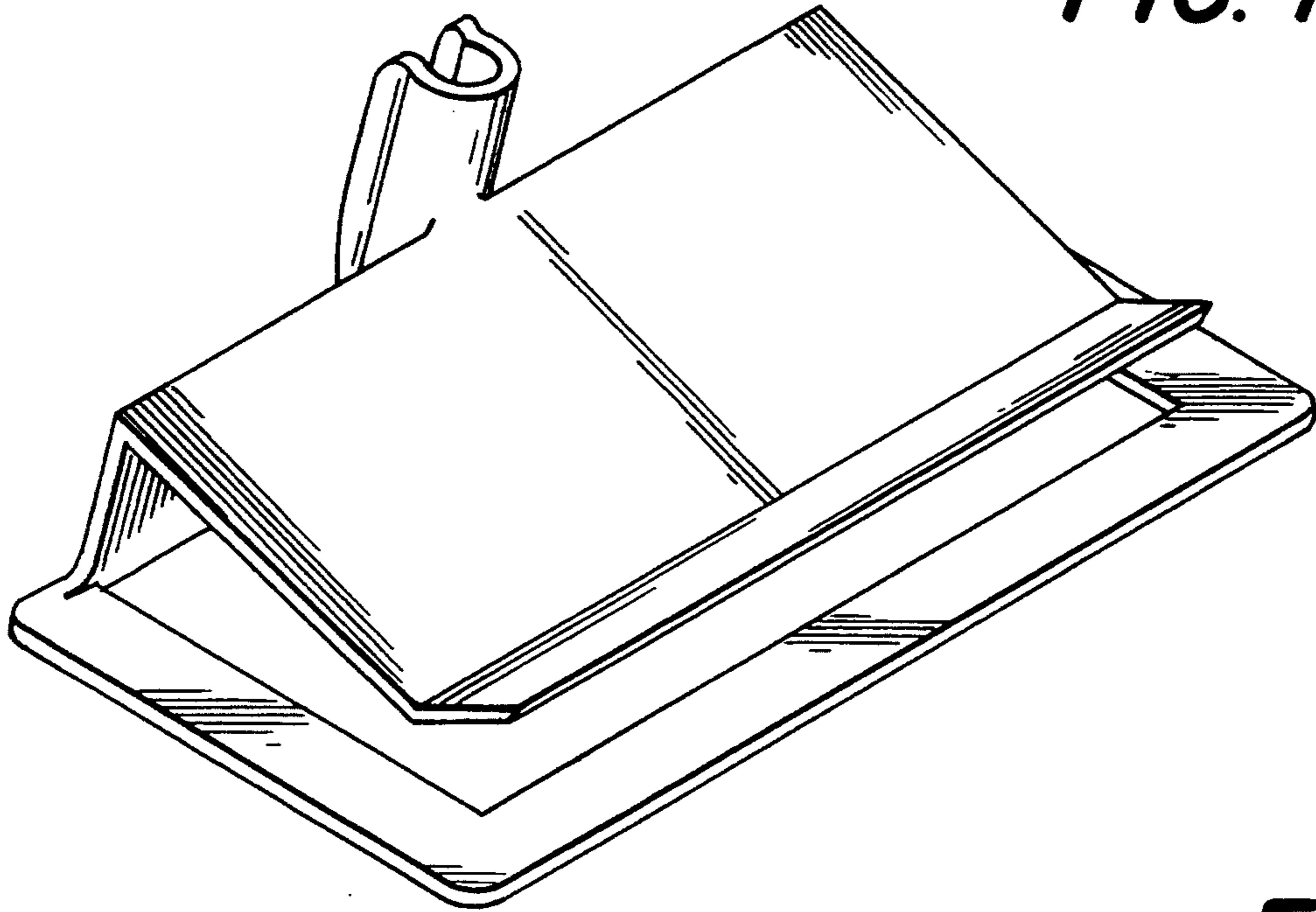
**DESCRIPTION**

FIG. 1 is a perspective view of a combined mouse cord holder and clip showing my new design; FIG. 2 is a top plan view thereof; FIG. 3 is a bottom plan view thereof; FIG. 4 is a front elevational view thereof; FIG. 5 is a rear elevational view thereof; FIG. 6 is a right side elevational view thereof; FIG. 7 is a perspective view of a second embodiment identical to FIG. 1 except for a raised border which circumscribes the clip face; and, FIG. 8 is an underside perspective view of the clip shown in FIG. 7.

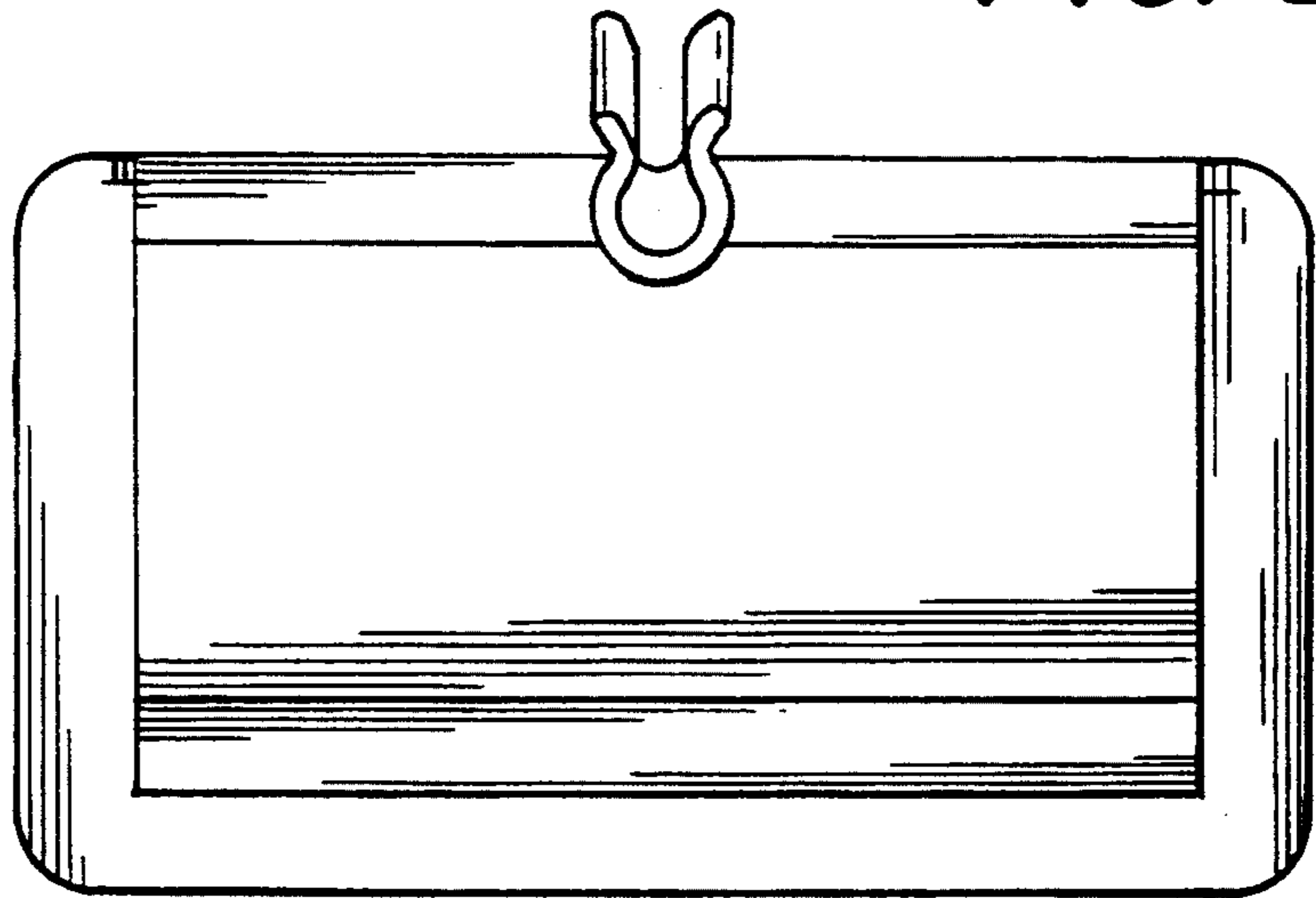
In FIG. 6, the mouse cord and mouse pad are shown with dotted lines for illustration purposes only and they form no part of the claimed design.



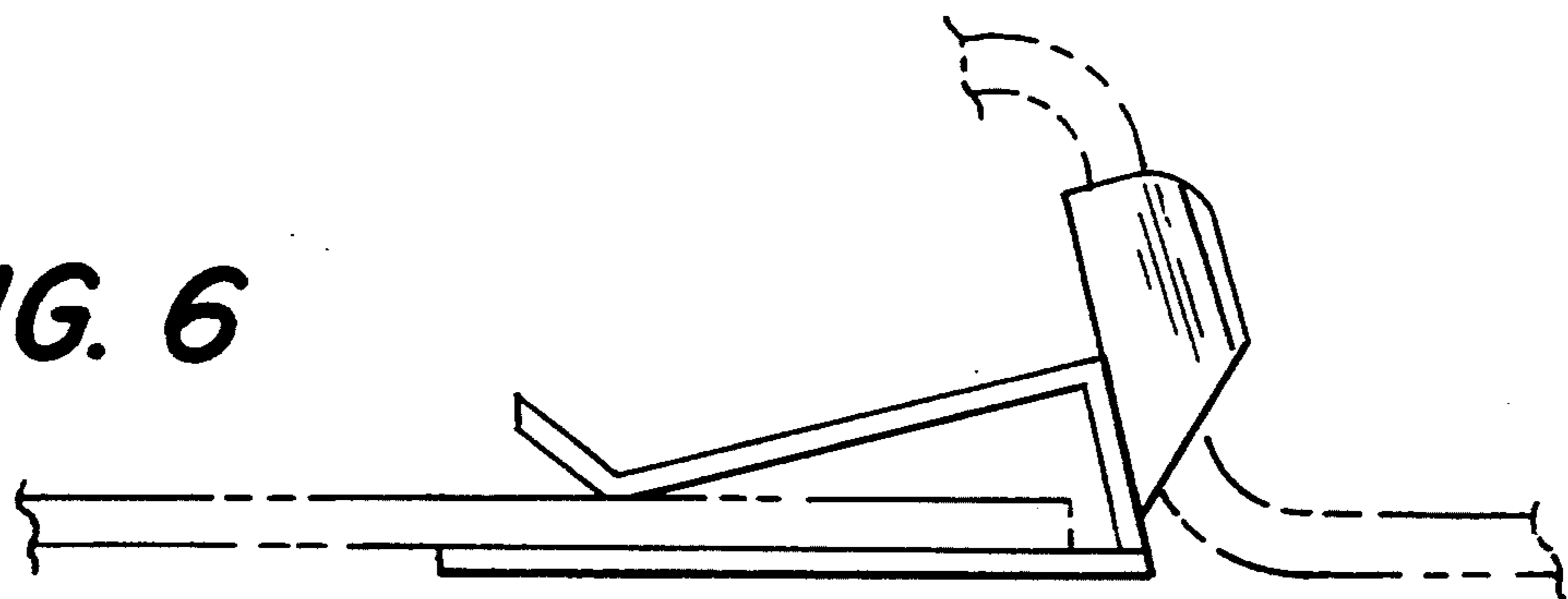
**FIG. 1**



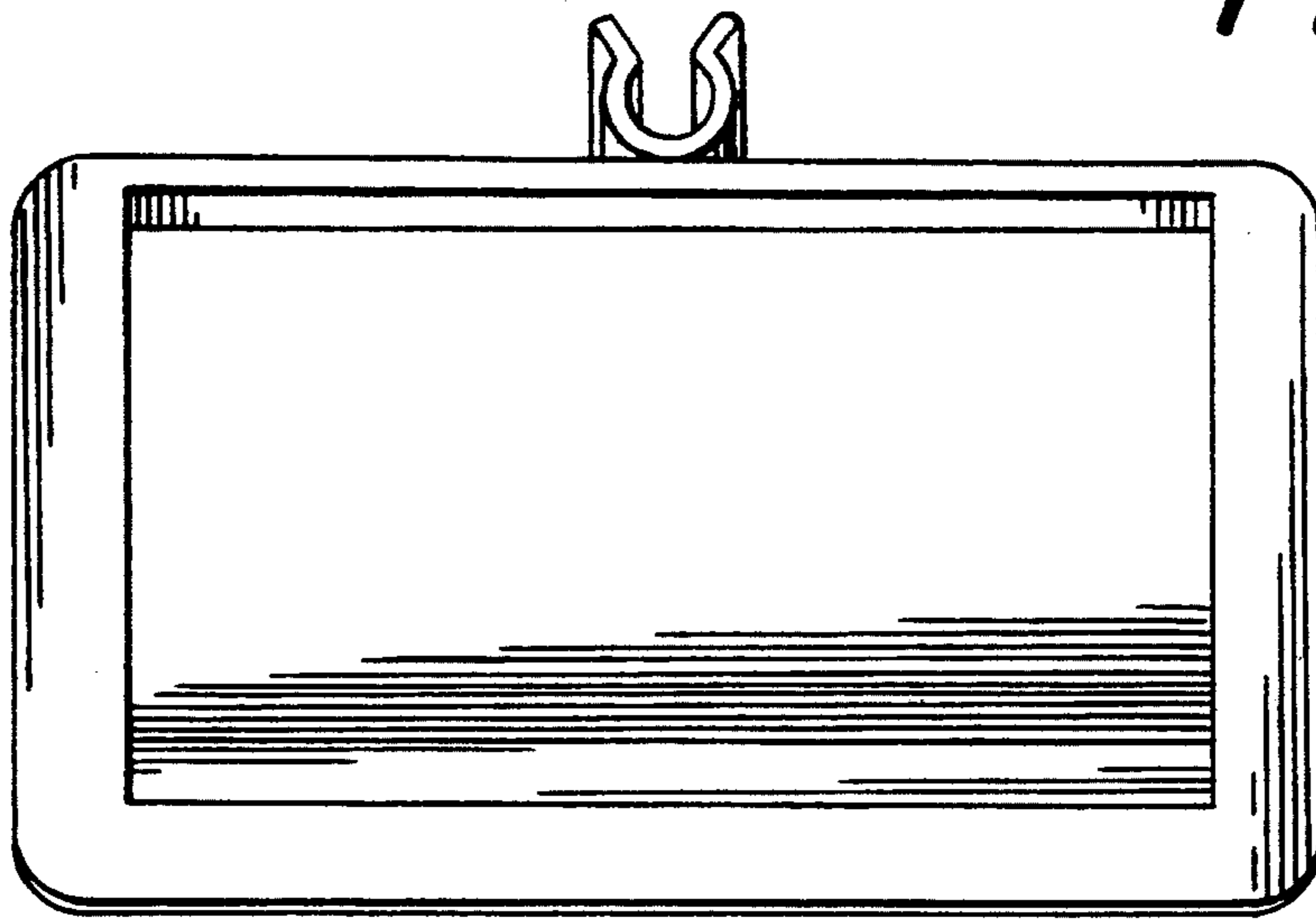
**FIG. 2**



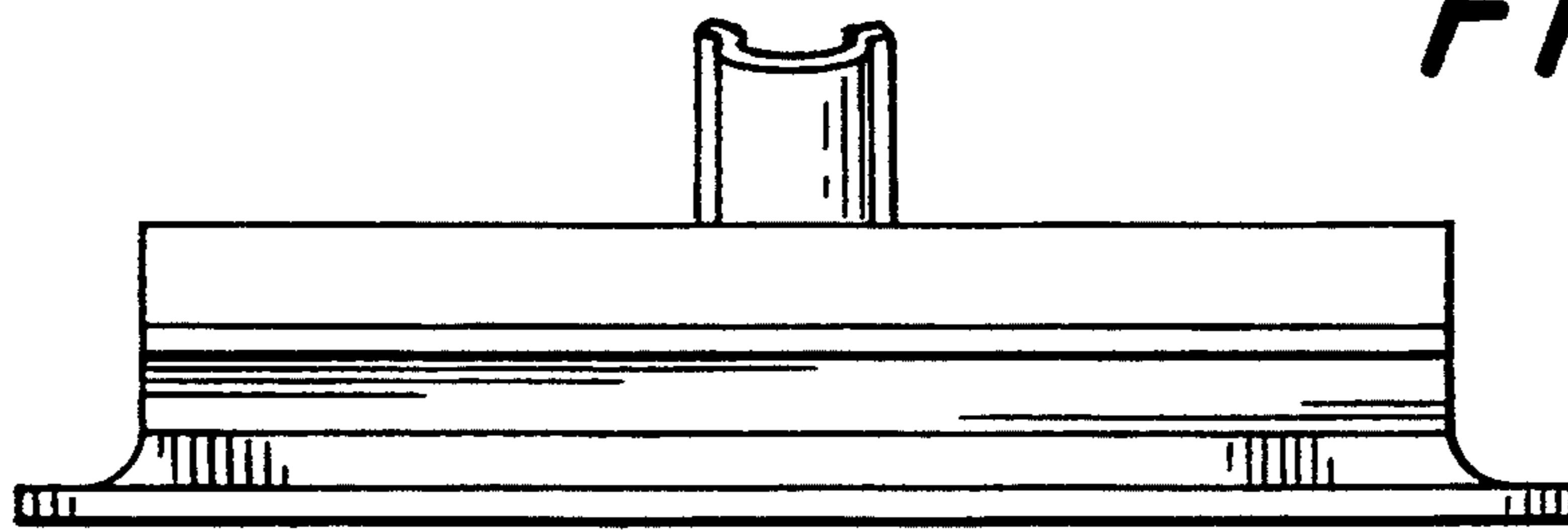
**FIG. 6**



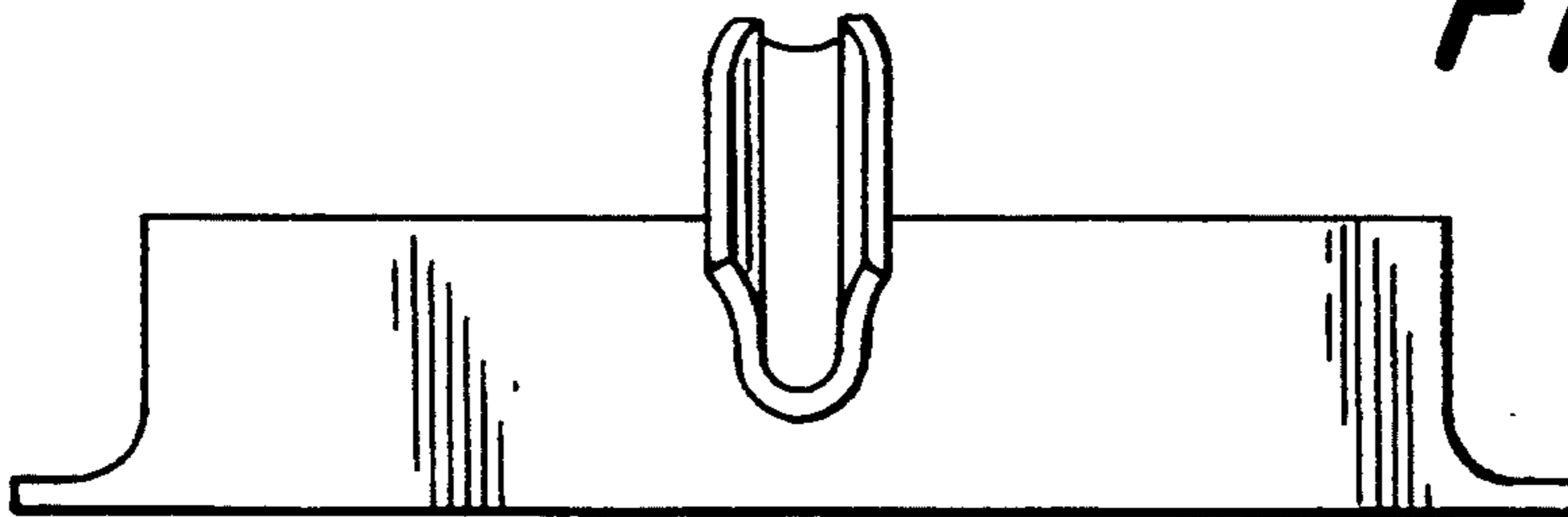
**FIG. 3**



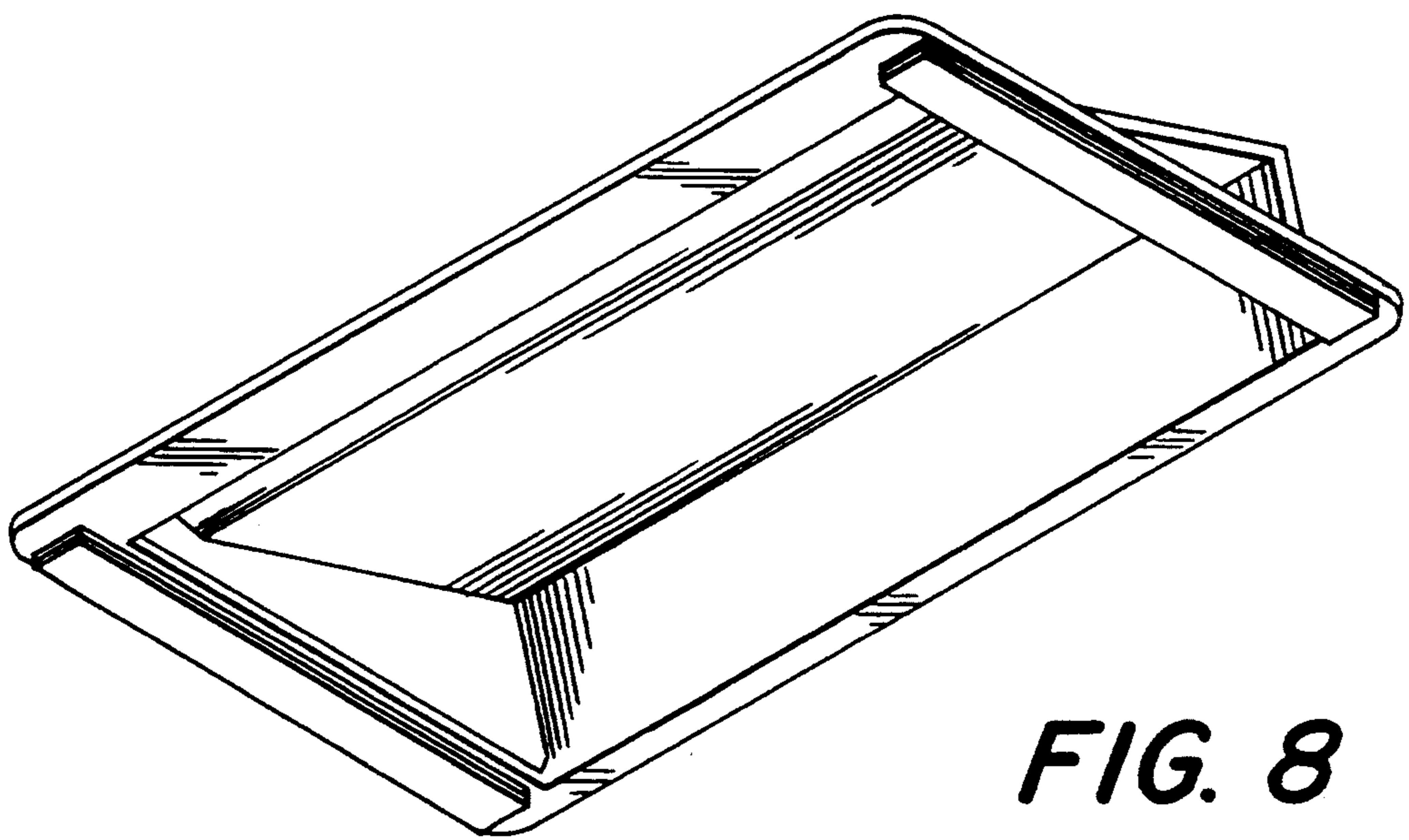
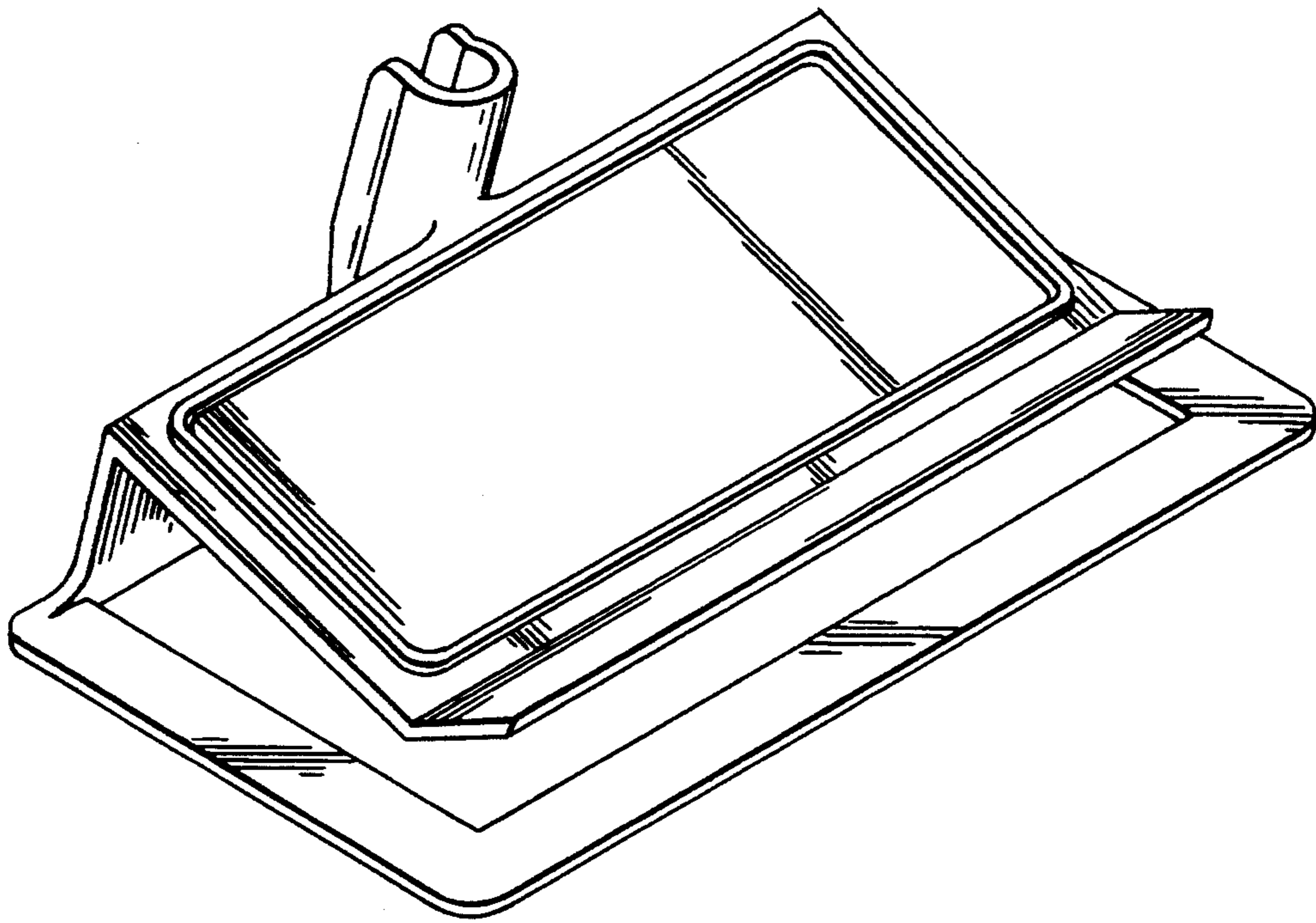
**FIG. 4**



**FIG. 5**



**FIG. 7**



**FIG. 8**