



US00D350946S

United States Patent [19]

[11] Patent Number: **Des. 350,946**

Stewart et al.

[45] Date of Patent: **** Sep. 27, 1994**

- [54] **CATHODE RAY TUBE DISPLAY**
- [75] Inventors: **James R. Stewart**, San Jose; **Ronald J. Moller**, Boulder Creek; **Mark A. Biasotti**, San Jose, all of Calif.
- [73] Assignee: **Apple Computer, Inc.**, Cupertino, Calif.
- [**] Term: **14 Years**
- [21] Appl. No.: **3,570**
- [22] Filed: **Jan. 13, 1993**
- [52] U.S. Cl. **D14/113**
- [58] Field of Search 345/156, 173, 905; 358/249, 254, 255; 248/917-924; D14/100, 101, 113, 124-127

- D. 308,054 5/1990 Peart D14/113
- D. 313,228 12/1990 Suyama et al. D14/113
- D. 332,946 2/1993 Kao D14/113

Primary Examiner—Wallace R. Burke
Assistant Examiner—Freda S. Nunn
Attorney, Agent, or Firm—Nancy R. Simon

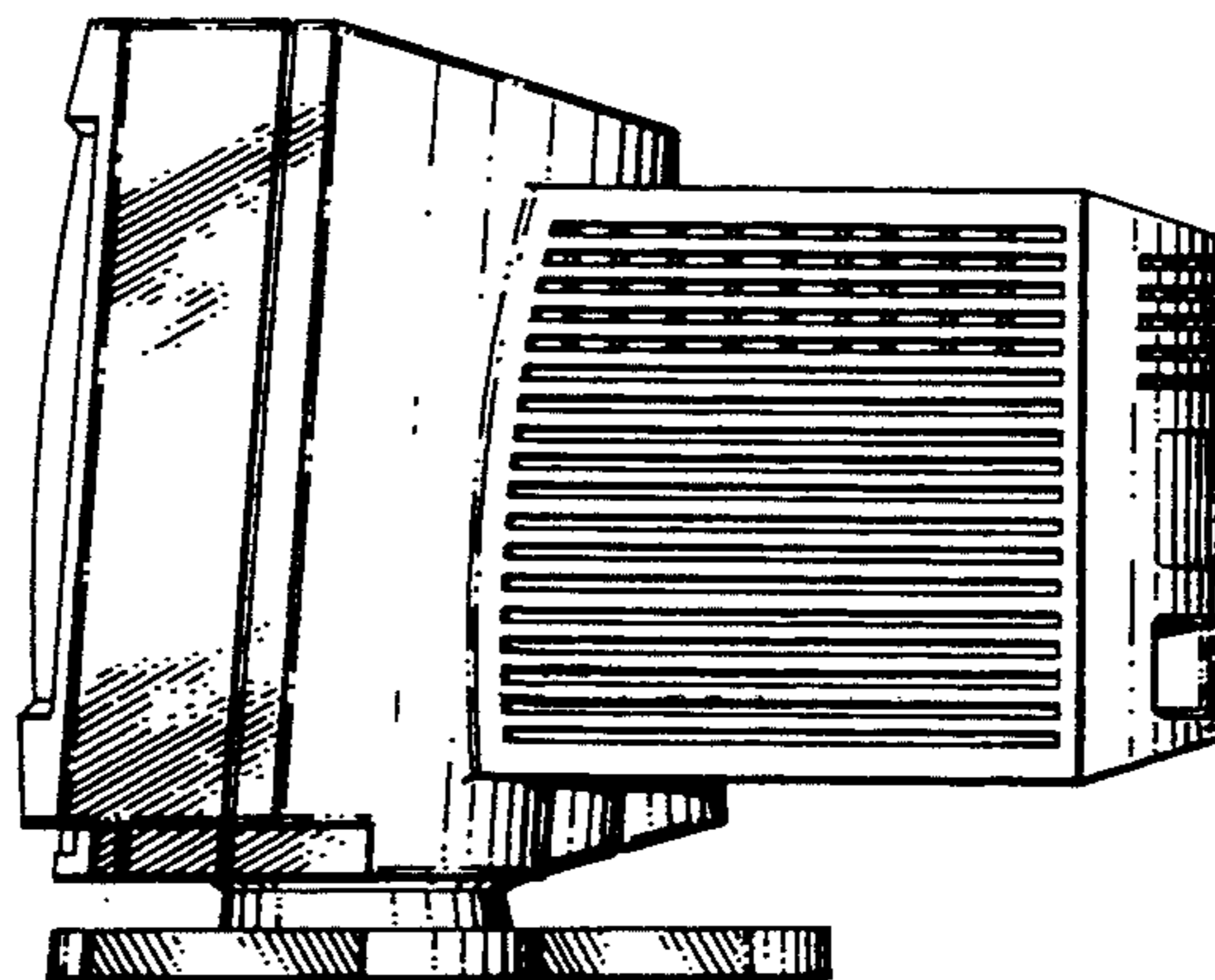
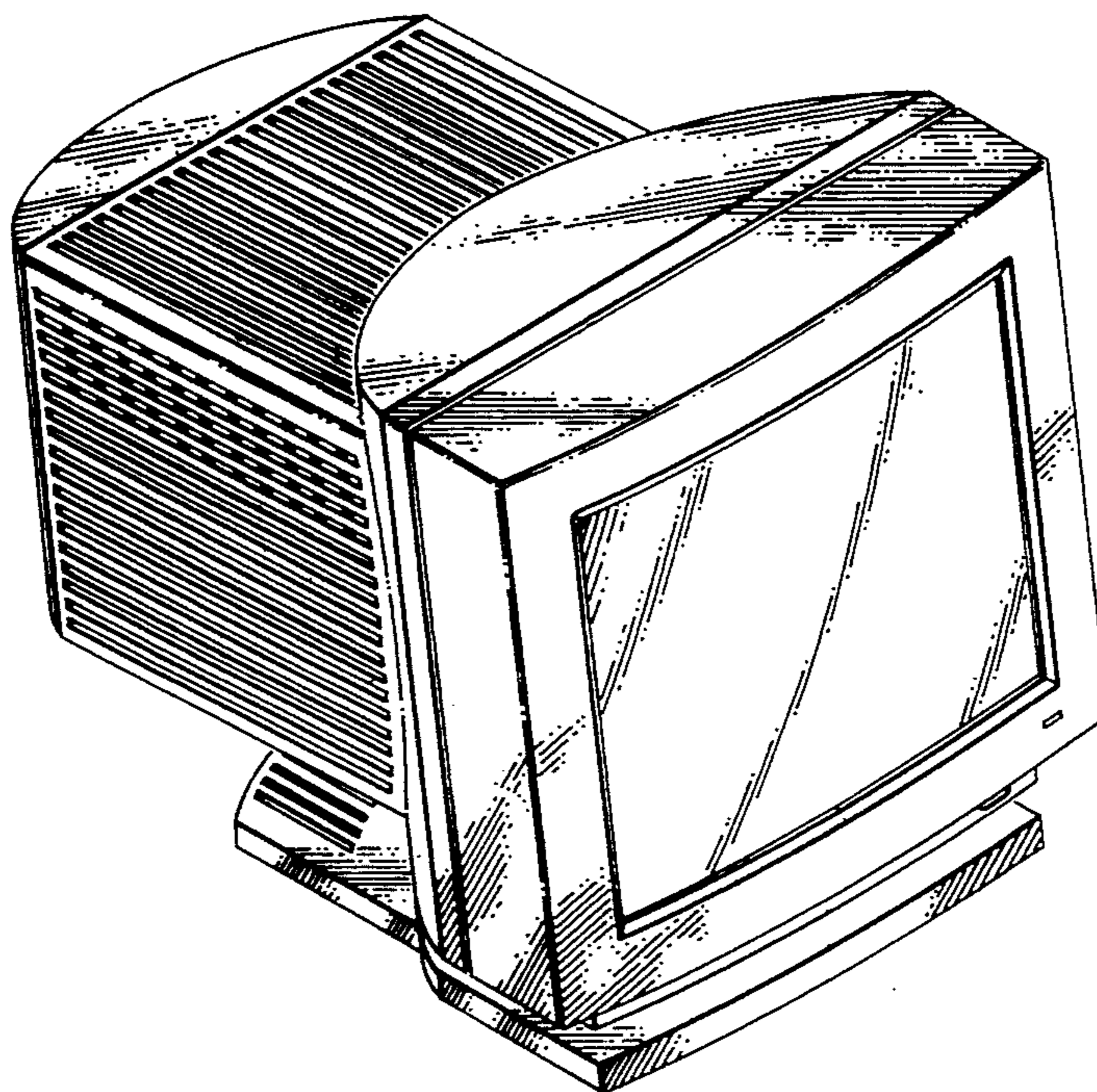
[57] CLAIM

The ornamental design of the cathode ray tube display, as shown and described.

DESCRIPTION

FIG. 1 is a top, right perspective view of a cathode ray tube display, showing our new design; FIG. 2 is a front view thereof; FIG. 3 is left side view thereof; FIG. 4 is right side view thereof; FIG. 5 is a rear view thereof; FIG. 6 is a top view thereof; and, FIG. 7 is a bottom view thereof.

- [56] **References Cited**
- U.S. PATENT DOCUMENTS**
- D. 305,755 1/1990 Suyama et al. D4/113



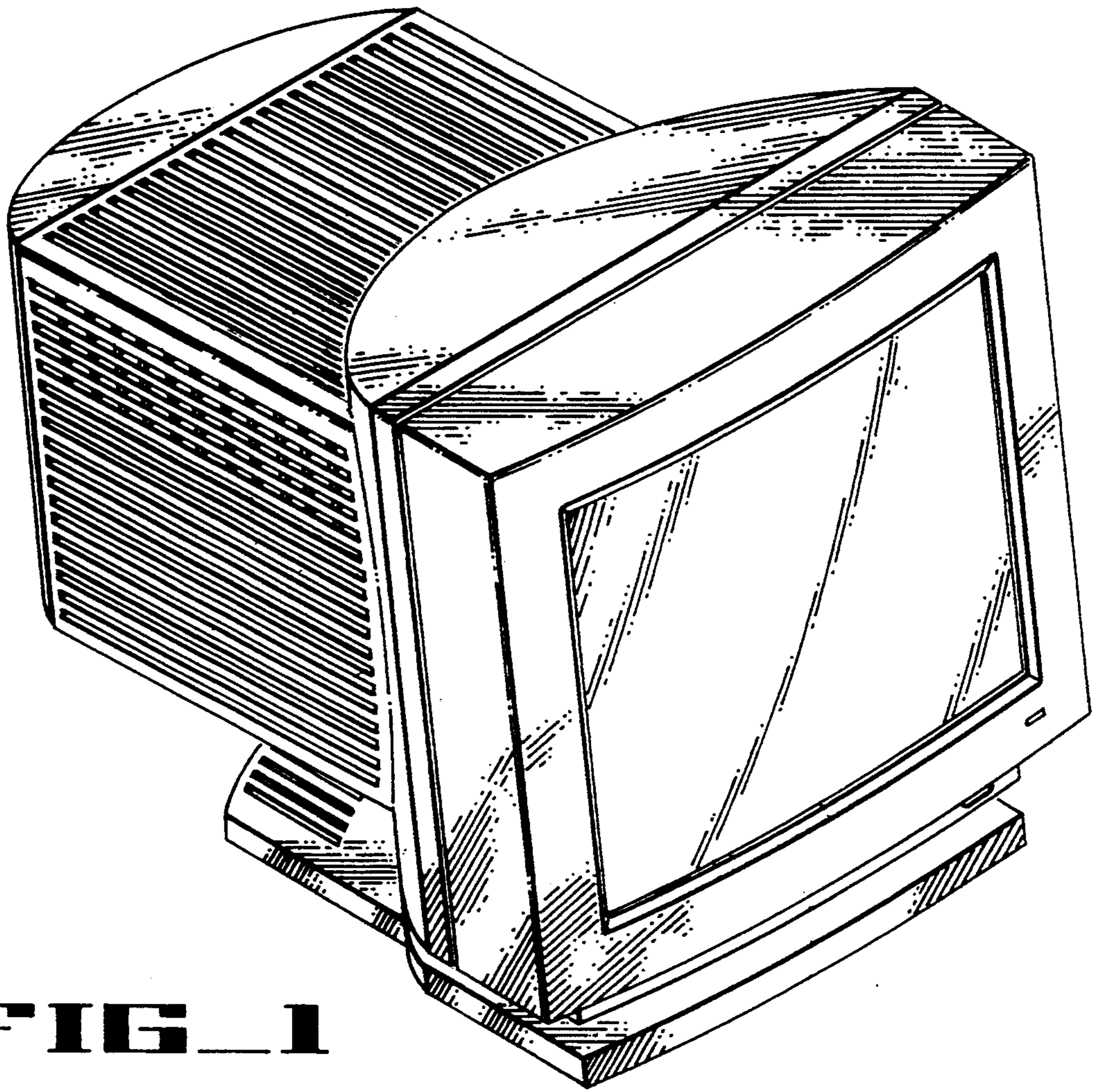
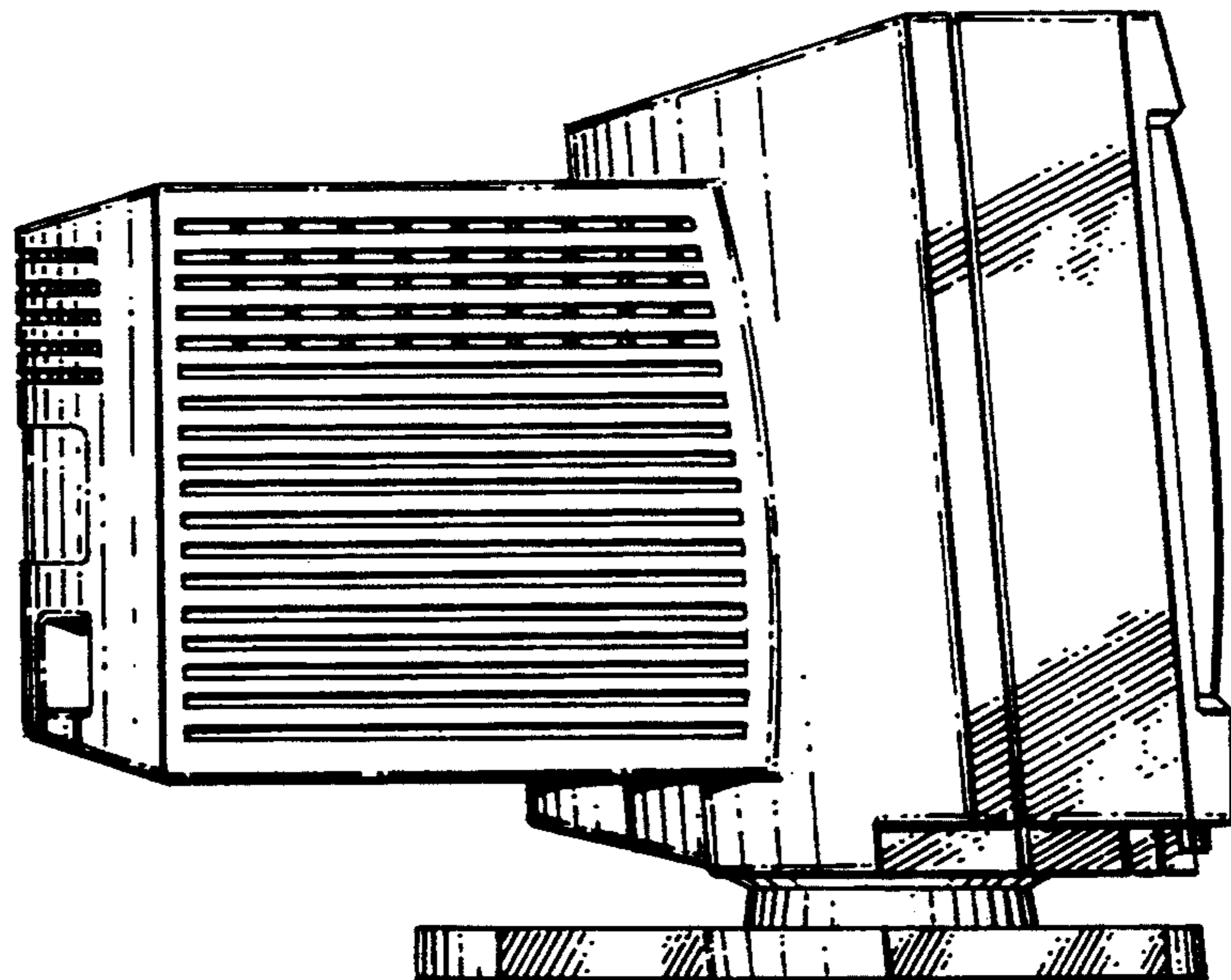


FIG. 1

FIG. 3



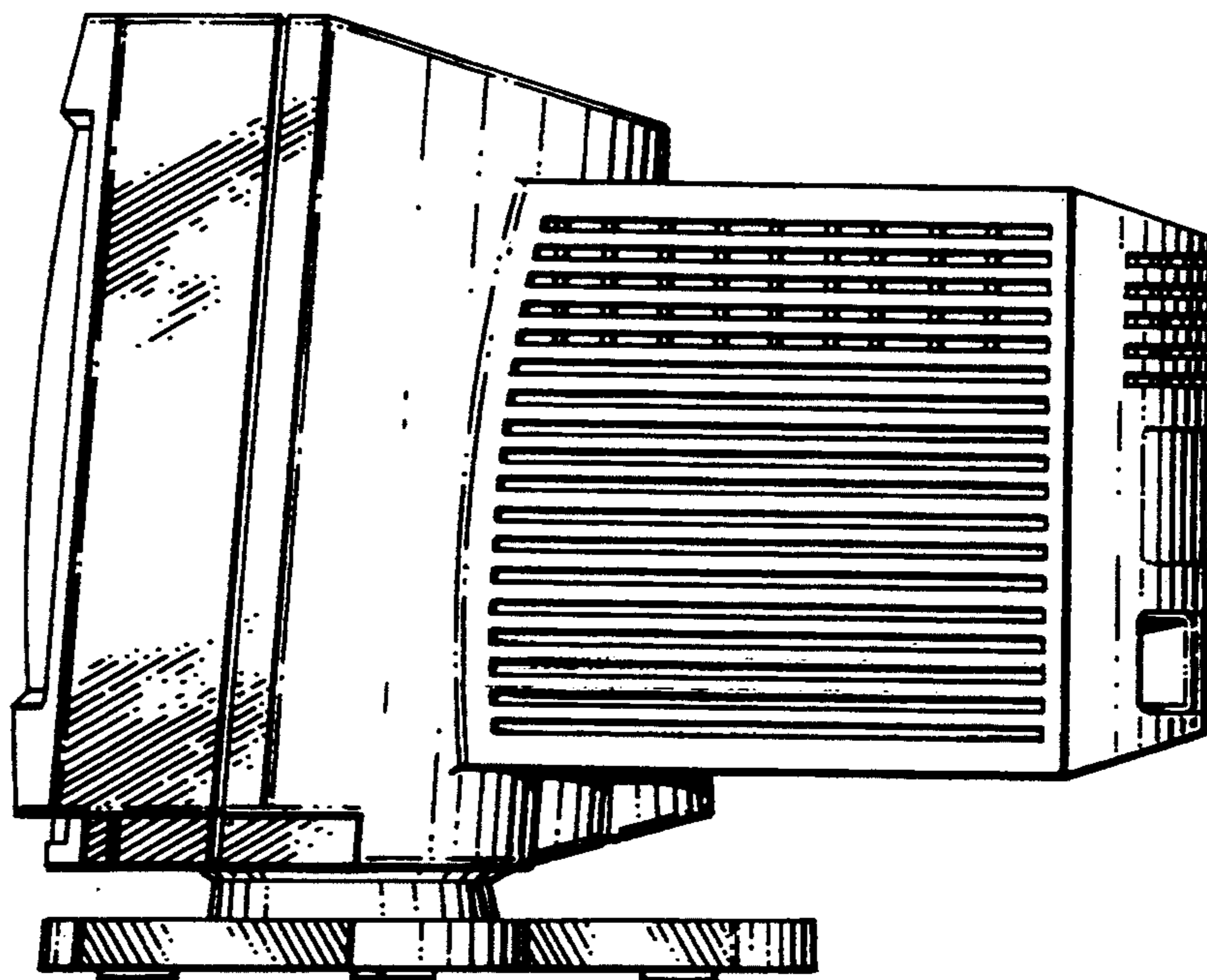
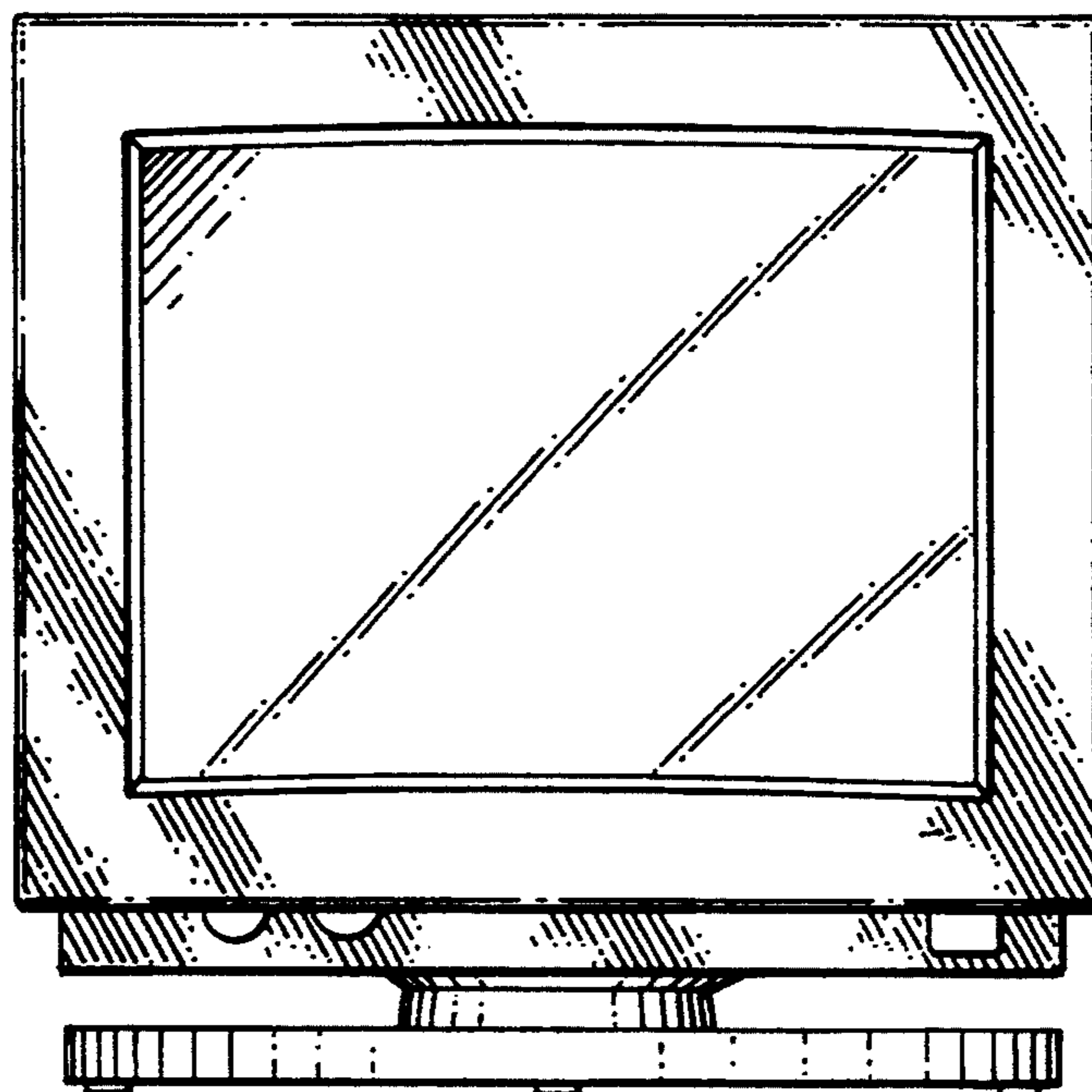


FIG 4

FIG 2



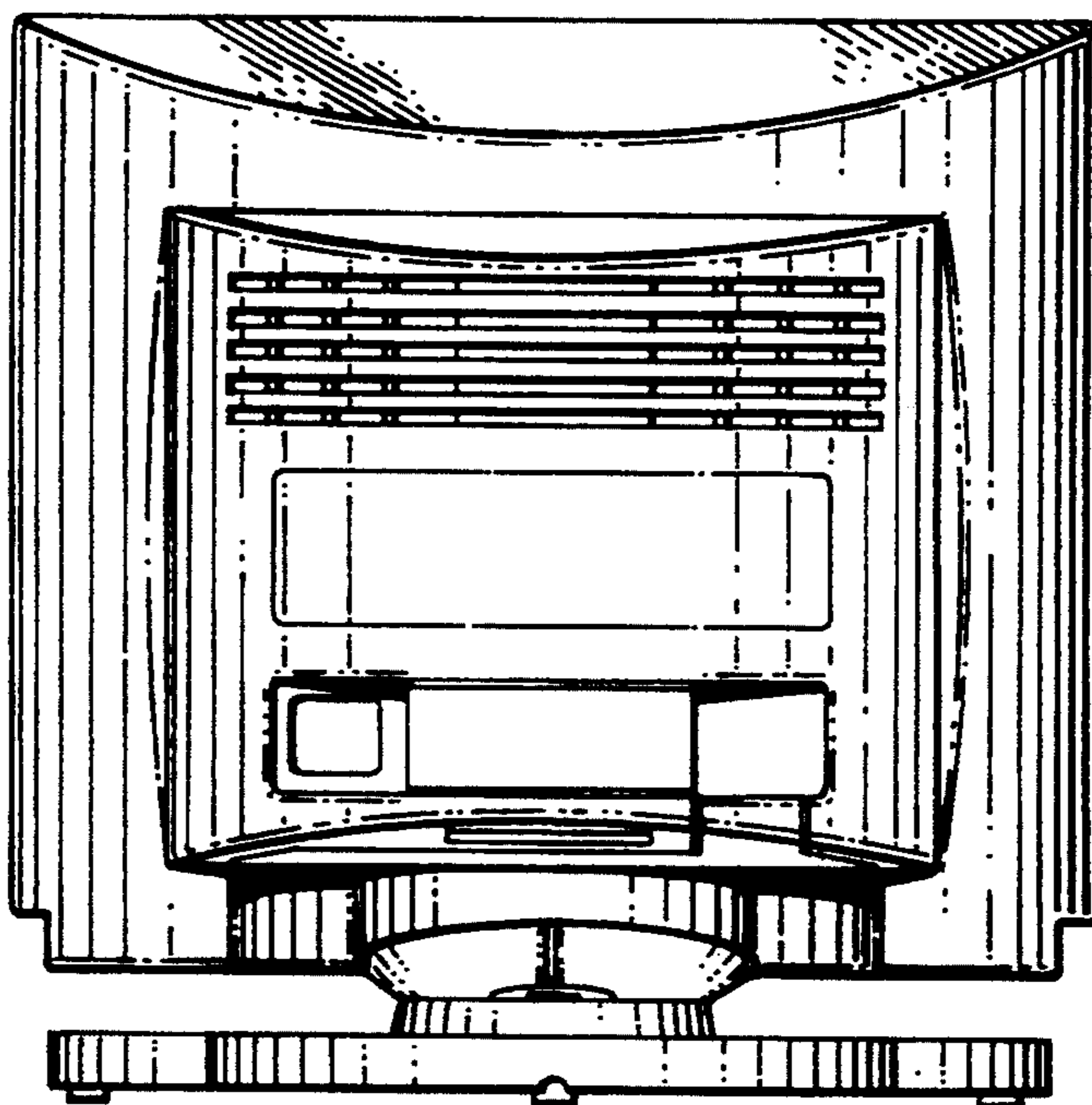
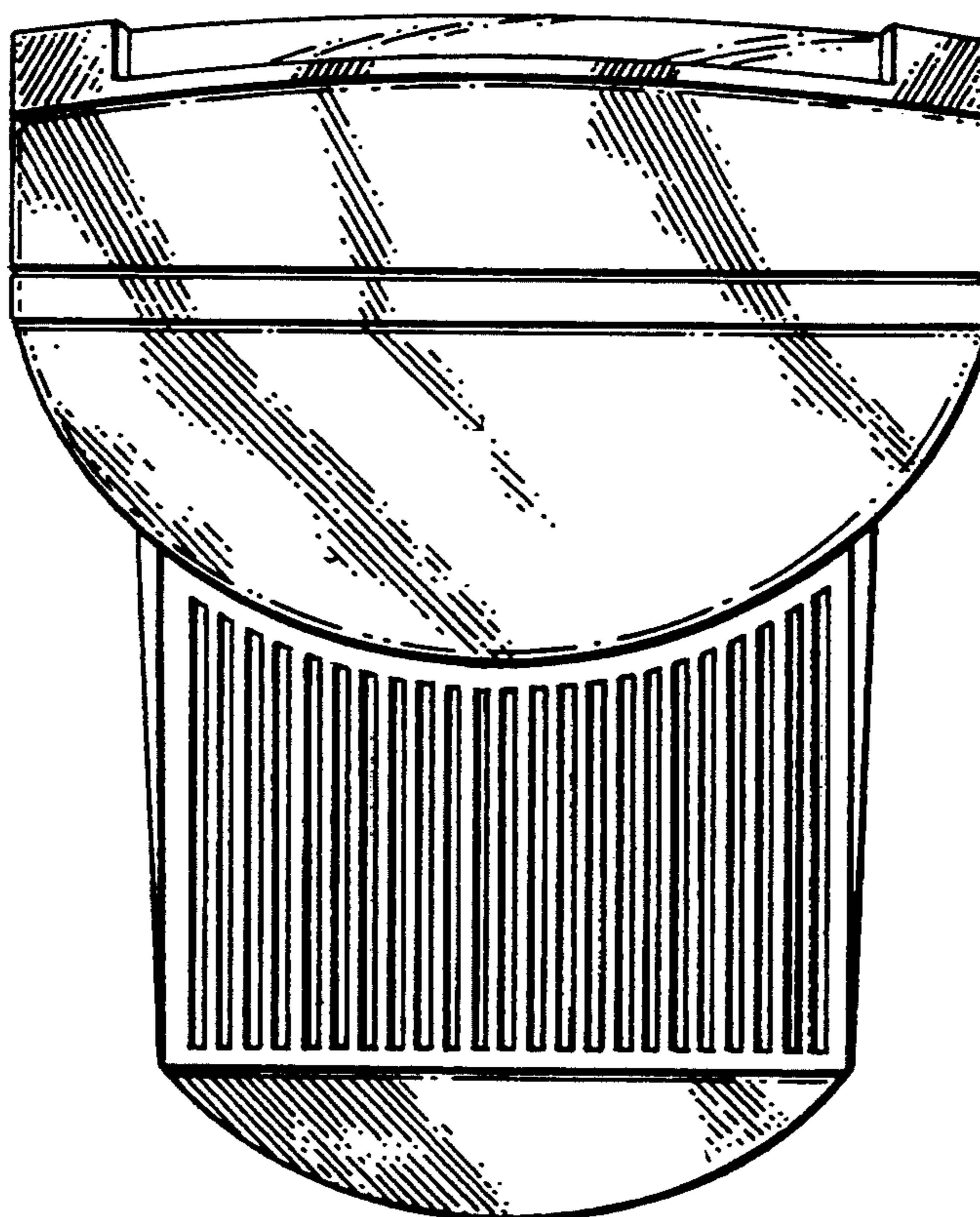


FIG 5

FIG 6



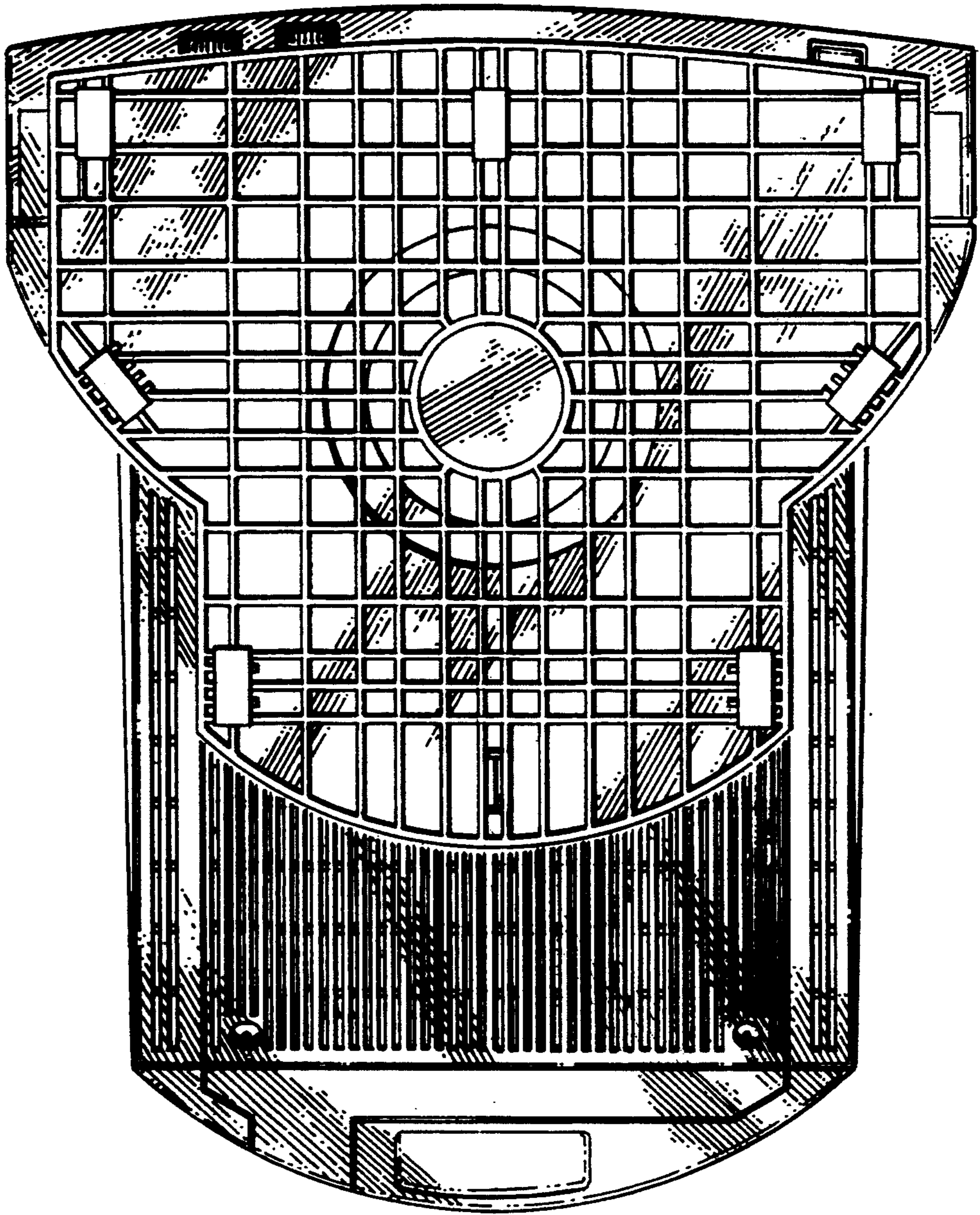


FIG. 7