



US00D350944S

United States Patent [19]

Shewmon et al.

[11] Patent Number: **Des. 350,944**

[45] Date of Patent: **** Sep. 27, 1994**

- [54] **EXPANDABLE MODULAR DISK DRIVE ARRAY**
- [75] Inventors: **Donald E. Shewmon**, Thousand Oaks; **Martin E. Smith**, Camarillo; **Michael L. Steen**, Newburg Park, all of Calif.
- [73] Assignee: **Micropolis Corporation**, Chatsworth, Calif.
- [**] Term: **14 Years**
- [21] Appl. No.: **5,597**

- [22] Filed: **Mar. 8, 1993**
- [52] U.S. Cl. **D14/102**
- [58] Field of Search D6/421, 423; 312/208.1, 312/223.2, 223.3, 194; 360/99.12; 361/622, 724, 727; 371/11.1; D14/100, 102, 108, 109; D13/162, 184, 199

[56] **References Cited**
U.S. PATENT DOCUMENTS

- D. 296,896 7/1988 Chu et al. D14/102
- D. 316,083 4/1991 Abe et al. D14/102
- D. 316,850 5/1991 Gordon et al. D14/102

- D. 342,485 12/1993 Dean et al. D14/102
- D. 343,830 1/1994 Kuba et al. D14/100
- 4,870,643 9/1989 Bultman et al. 371/11.1

Primary Examiner—Wallace R. Burke
Assistant Examiner—Freda S. Nunn
Attorney, Agent, or Firm—Poms, Smith, Lande & Rose

[57] **CLAIM**

The ornamental design for an expandable modular disk drive array, as shown and described.

DESCRIPTION

FIG. 1 is a reduced top front and right side perspective view of an expandable modular disk drive array showing our new design;
 FIG. 2 is a front elevation view thereof;
 FIG. 3 is a right side elevation view thereof;
 FIG. 4 is a left side elevation view thereof;
 FIG. 5 is a rear elevation view thereof;
 FIG. 6 is a top plan view thereof;
 FIG. 7 is a bottom plan view thereof; and,
 FIG. 8 is a top front and right side perspective view of a second embodiment thereof wherein the only difference is in the proportions.

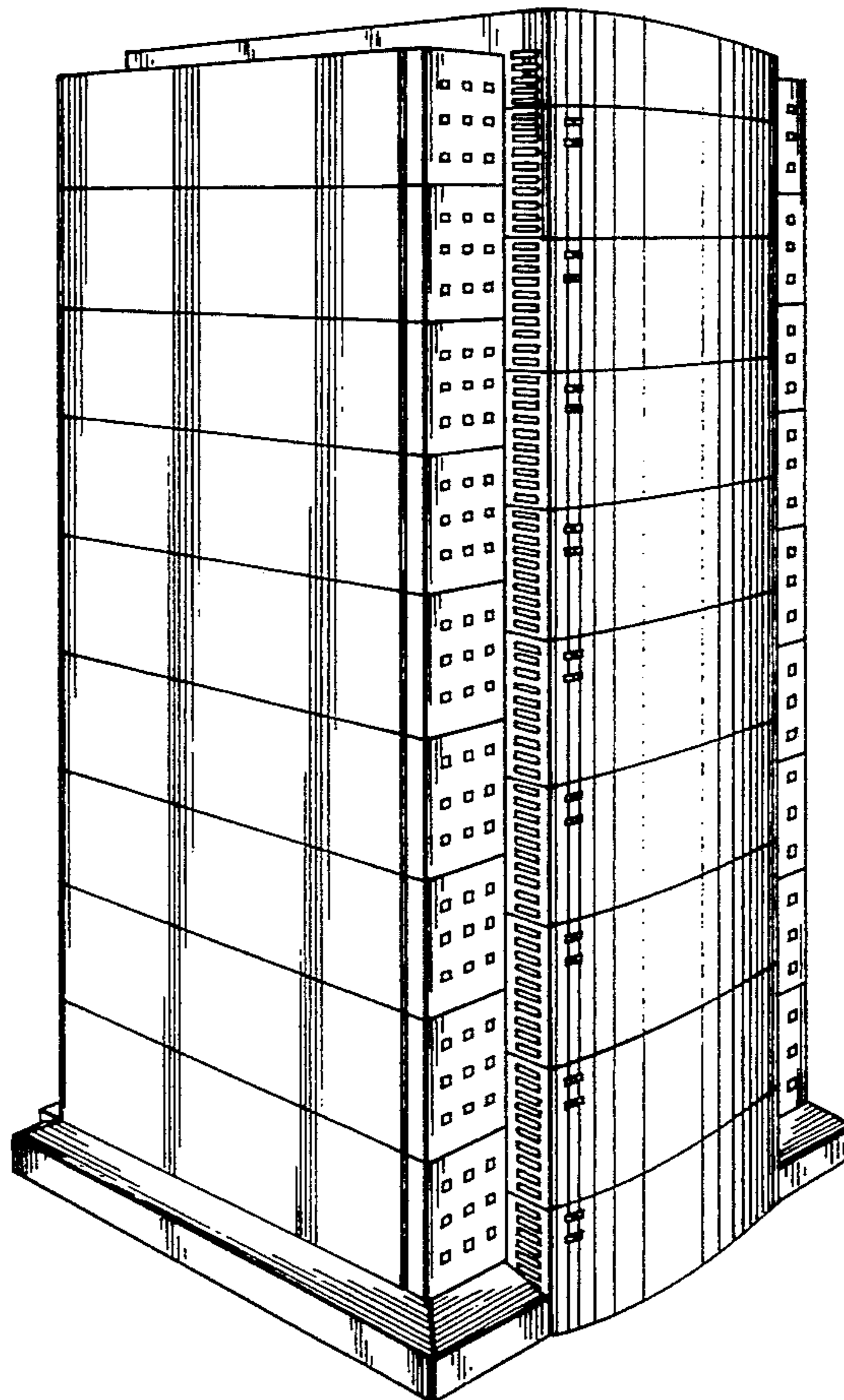
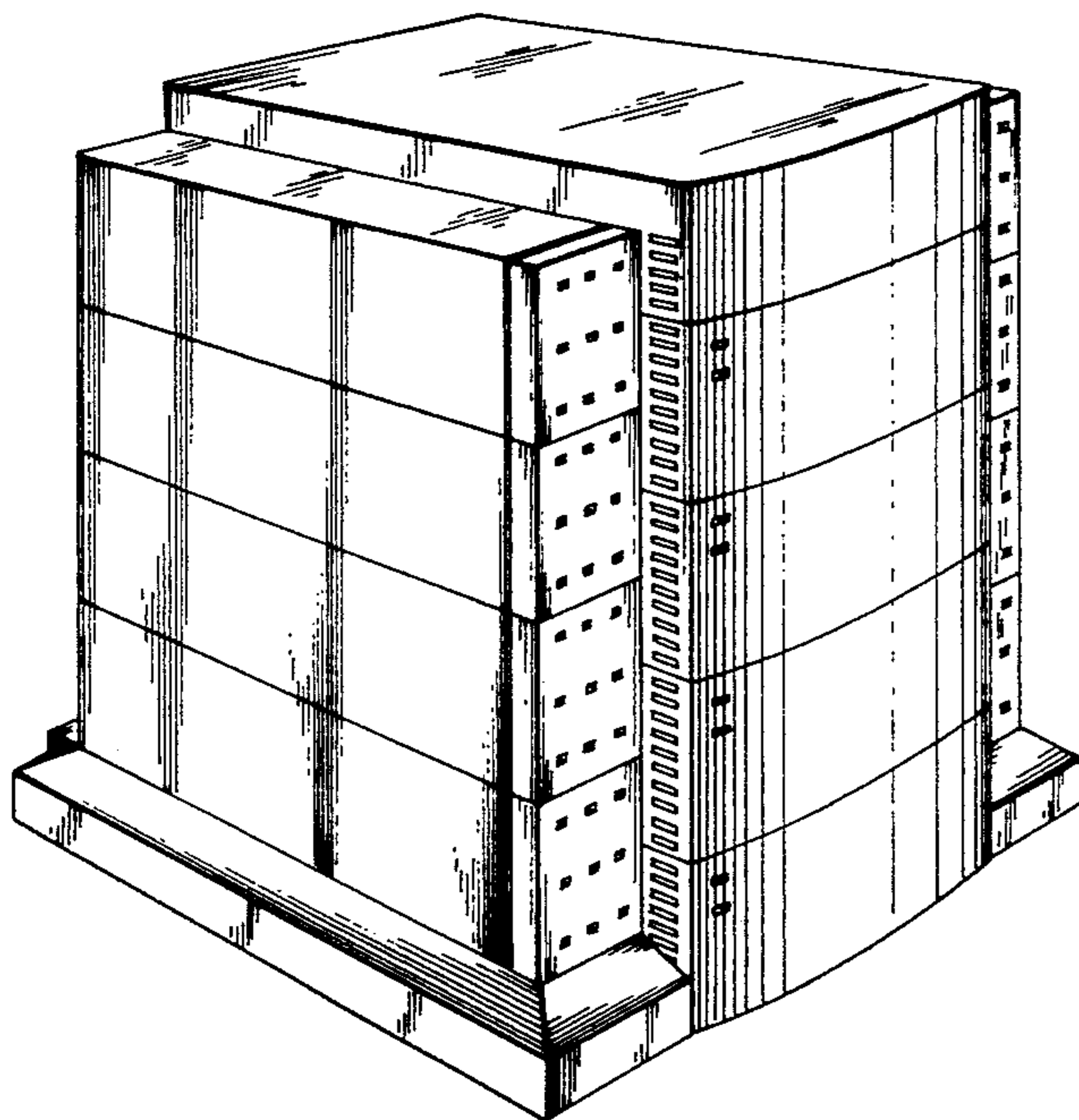
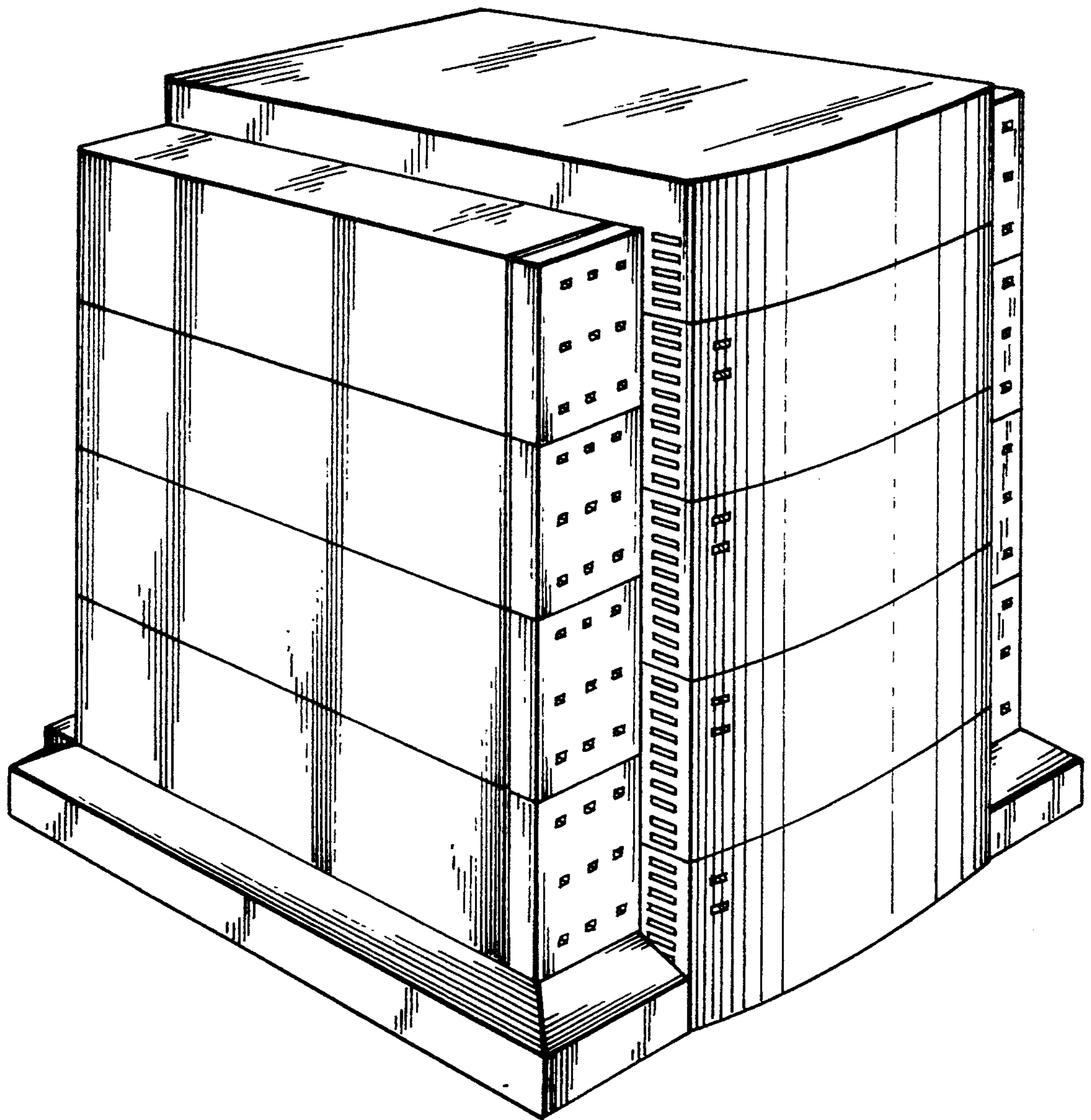


FIG. 1



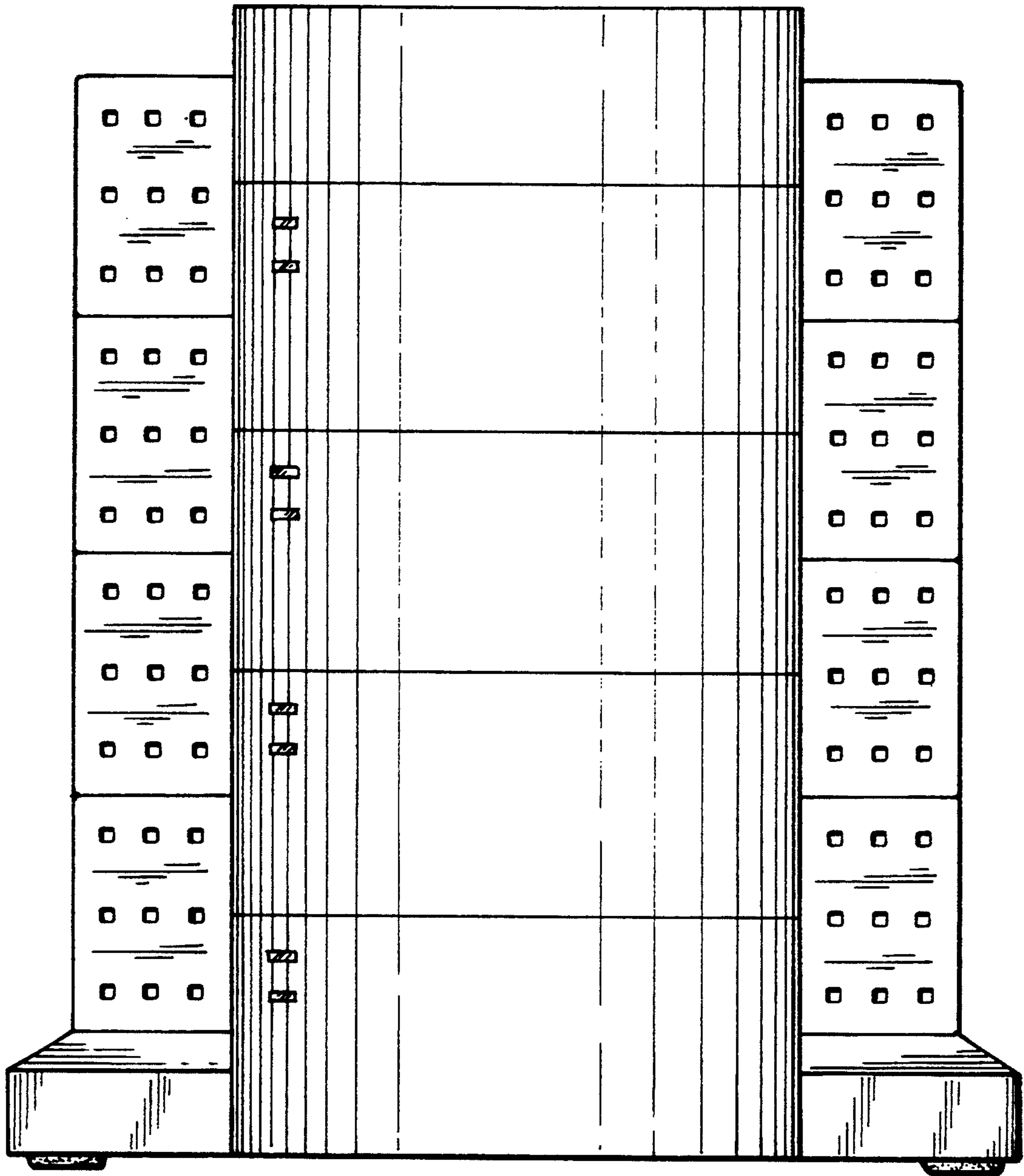


FIG. 2

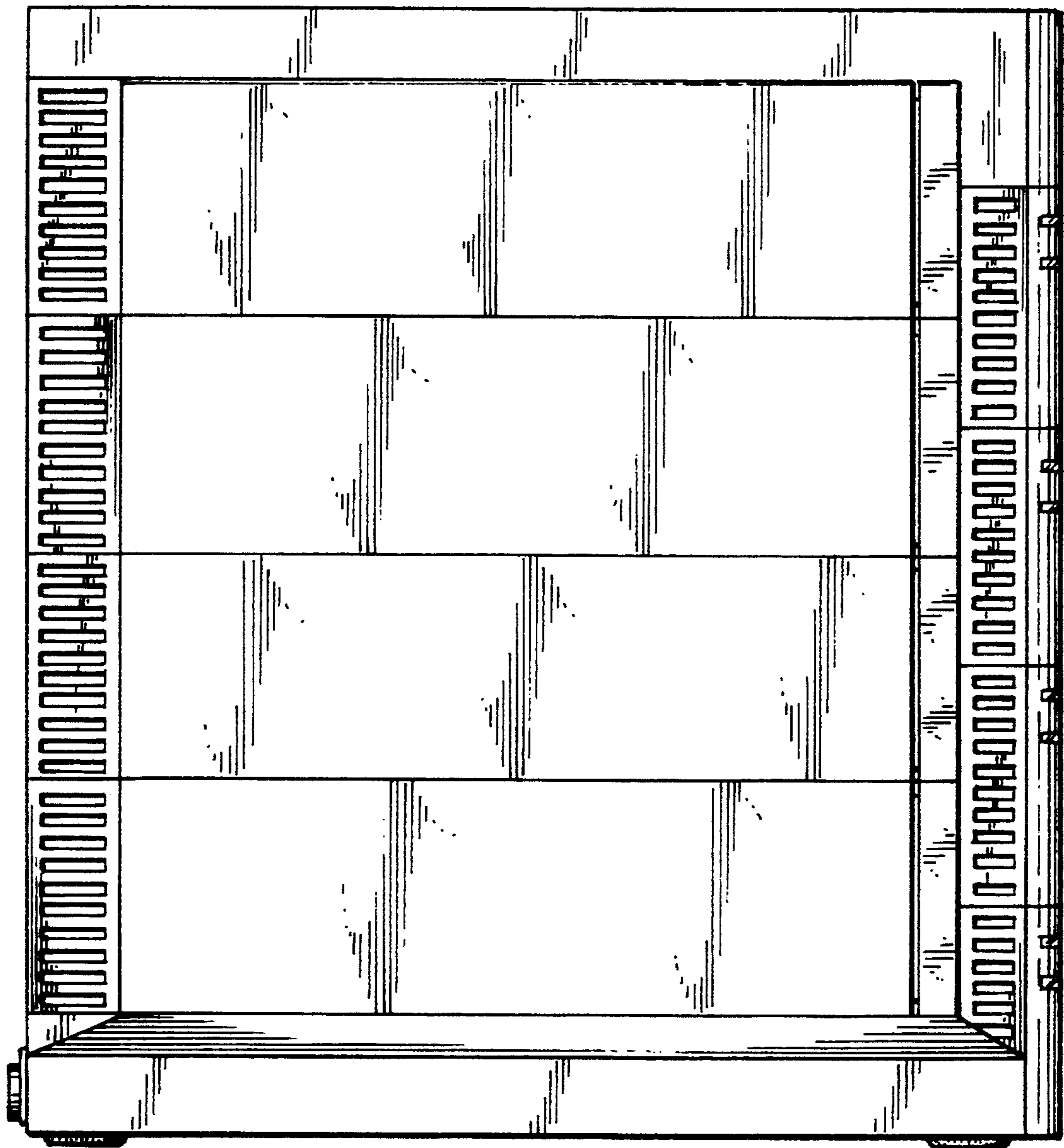


FIG. 3

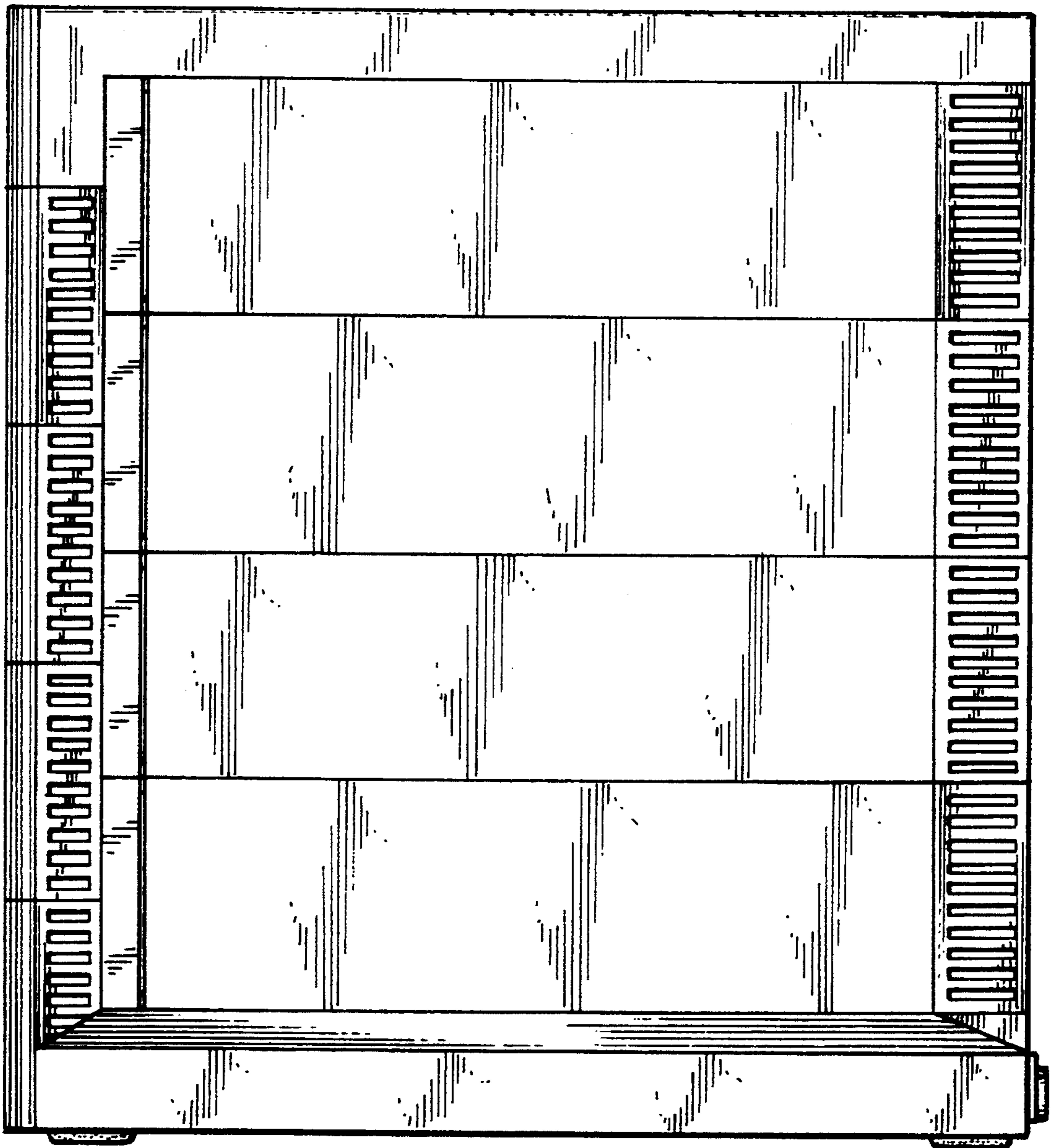


FIG. 4

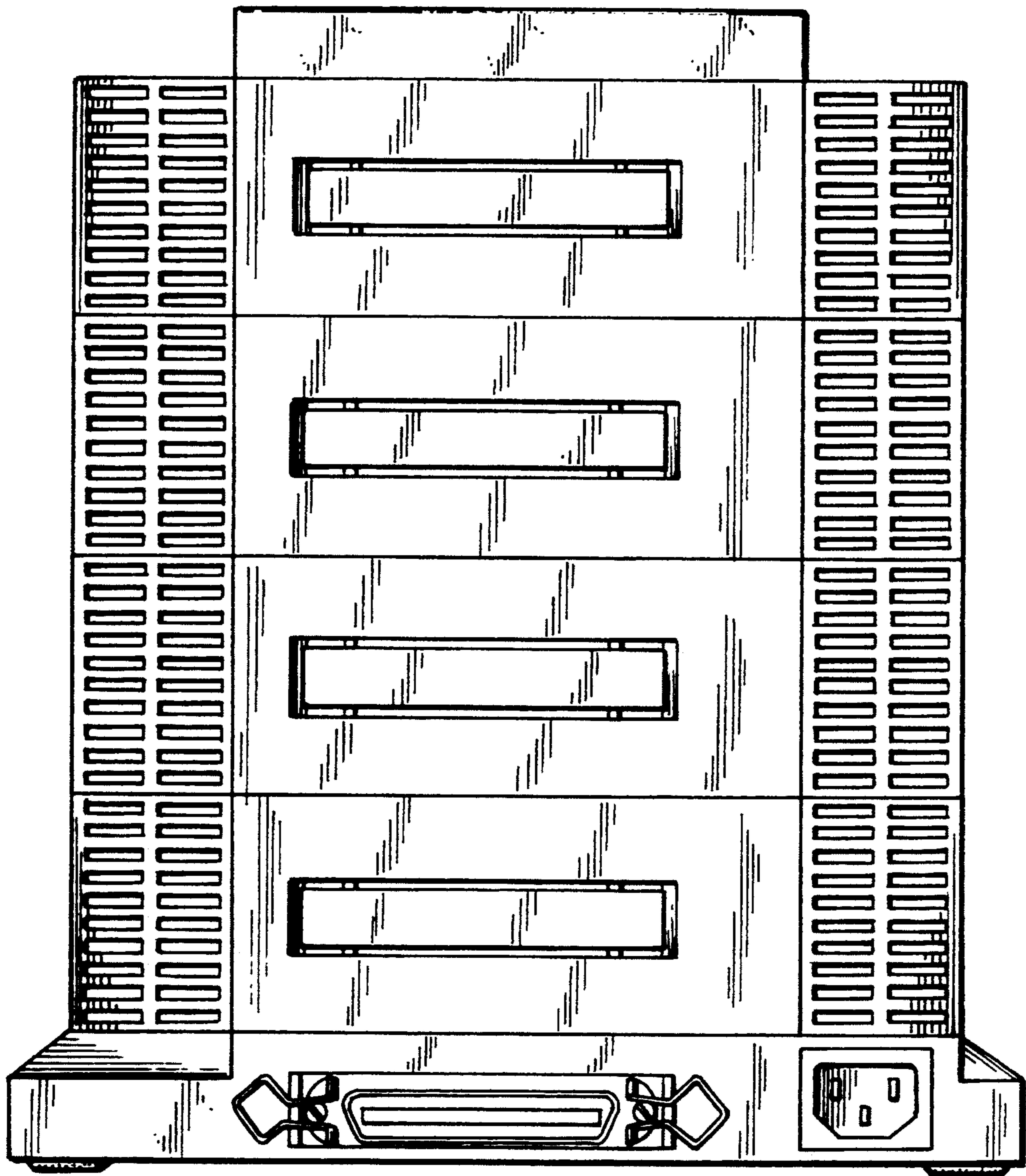


FIG. 5

FIG. 6

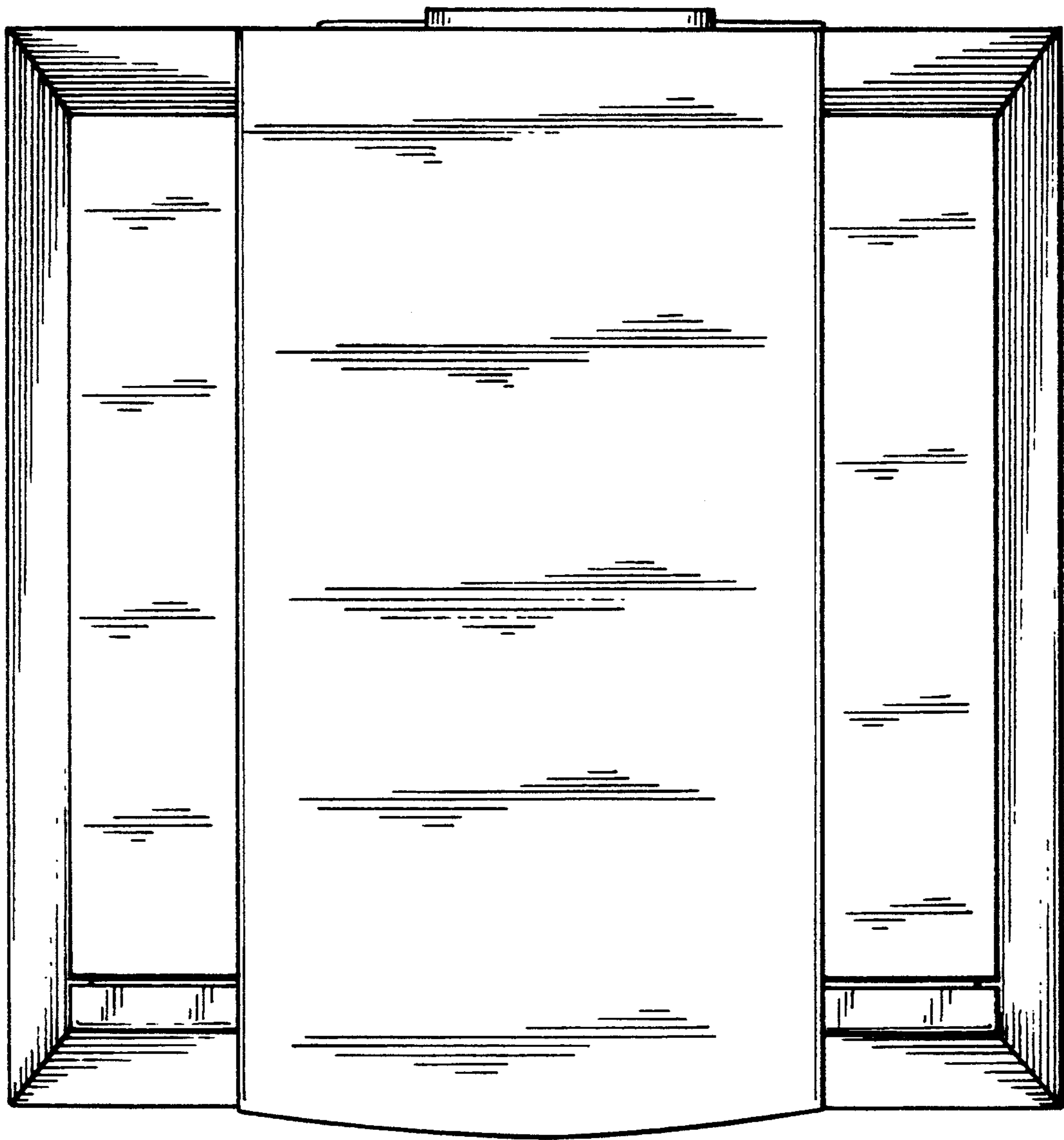
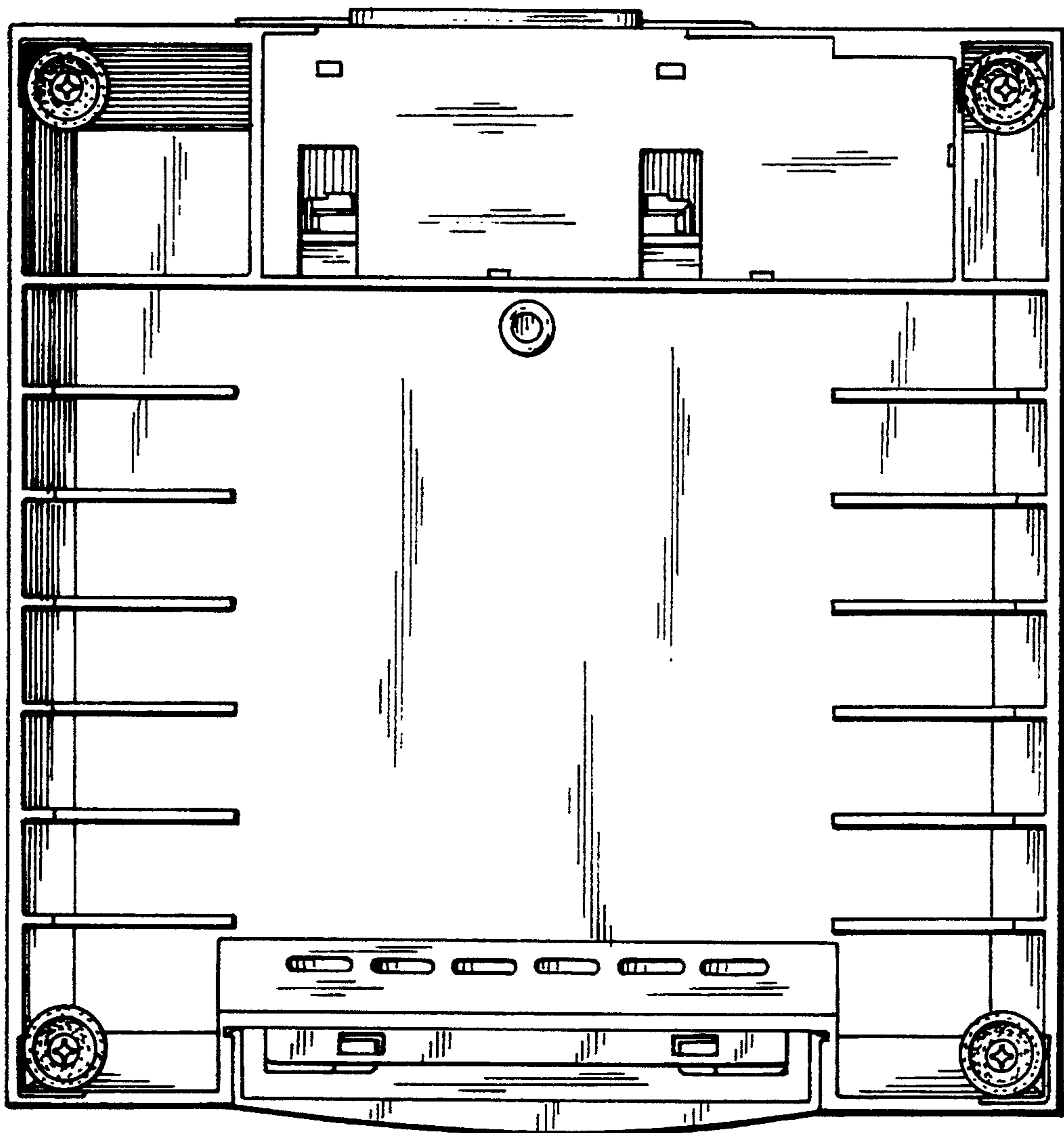


FIG. 7



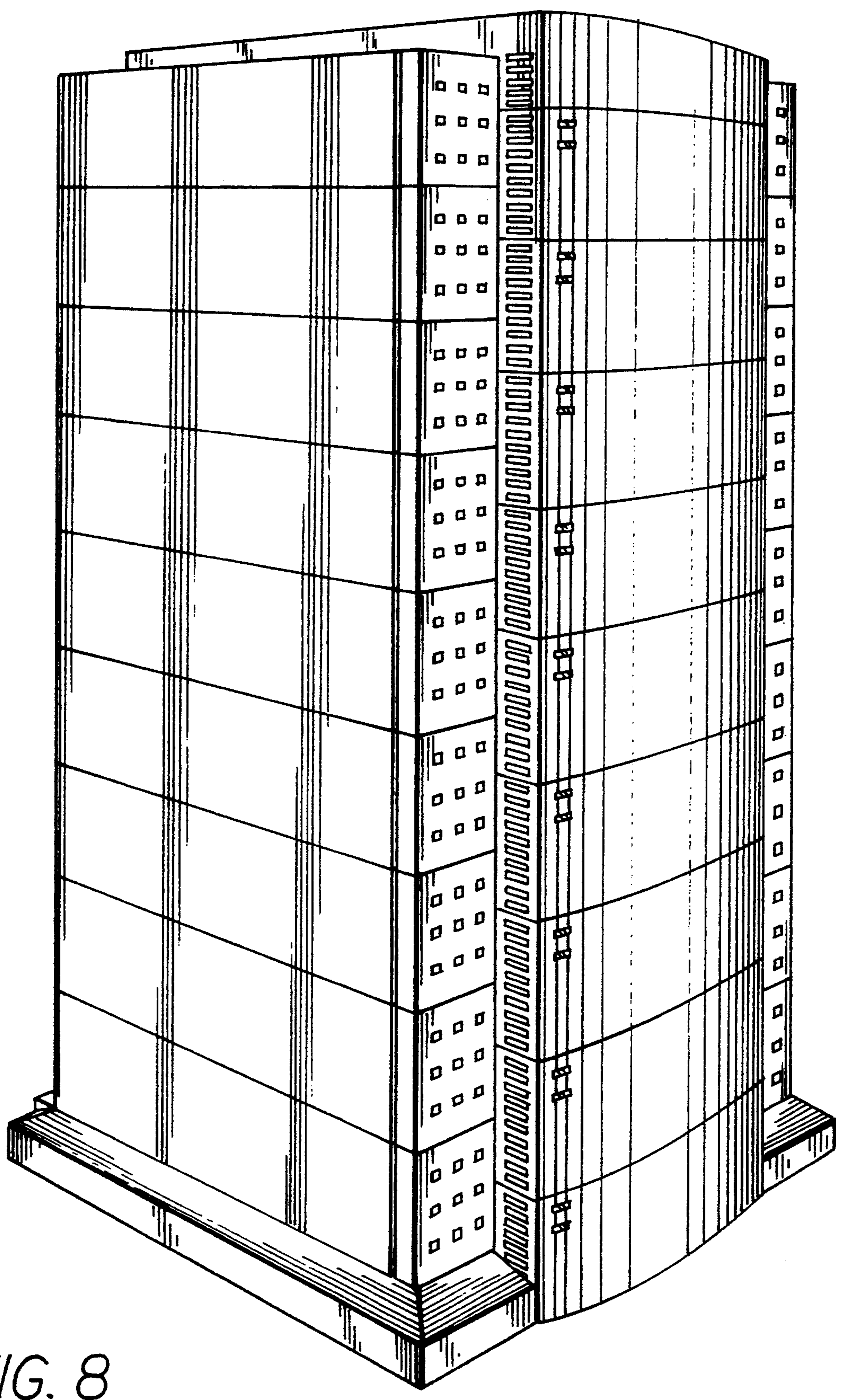


FIG. 8