



US00D350942S

United States Patent [19]

Pellet et al.

[11] Patent Number: Des. 350,942

[45] Date of Patent: ** Sep. 27, 1994

[54] SEMICONDUCTOR WAFER SUPPORT

[75] Inventors: Carrie Pellet; Craig Donaldson, both of Charlotte, N.C.

[73] Assignee: Particle Solutions, Charlotte, N.C.

[**] Term: 14 Years

[21] Appl. No.: 935,365

[22] Filed: Aug. 25, 1992

[52] U.S. Cl. D13/182

[58] Field of Search D8/349; 174/52 FP; 357/70, 72, 74; 437/8; 118/500; 206/328, 334; 361/395; D13/182; D14/114

[56] References Cited

U.S. PATENT DOCUMENTS

D. 235,553	6/1975	Kunkle	D13/147
D. 273,192	3/1984	Yoshida	D14/114
D. 329,192	9/1992	Susac	D8/349
4,397,078	8/1983	Imahashi	437/8 X
4,547,958	10/1985	Hufford	437/8 X
4,605,893	8/1986	Braslau	437/8 X
4,776,745	10/1988	Foley	118/500 X
5,042,421	8/1991	Anbe	118/500 X
5,042,423	8/1991	Wilkinson	118/500
5,109,980	5/1992	Matsuoka et al.	206/328
5,115,912	5/1992	Murphy	206/328 X

5,156,983 10/1992 Schlesinger et al. 437/8

FOREIGN PATENT DOCUMENTS

2-312259 12/1990 Japan 437/8

Primary Examiner—Wallace R. Burke
Assistant Examiner—Joel Sincavage
Attorney, Agent, or Firm—Shefte, Pinckney & Sawyer

[57] CLAIM

The ornamental design for a semiconductor wafer support, as shown and described.

DESCRIPTION

FIG. 1 is a front and upper right perspective view of a semiconductor wafer support showing our new design; FIG. 2 is a front and lower left perspective view thereof;

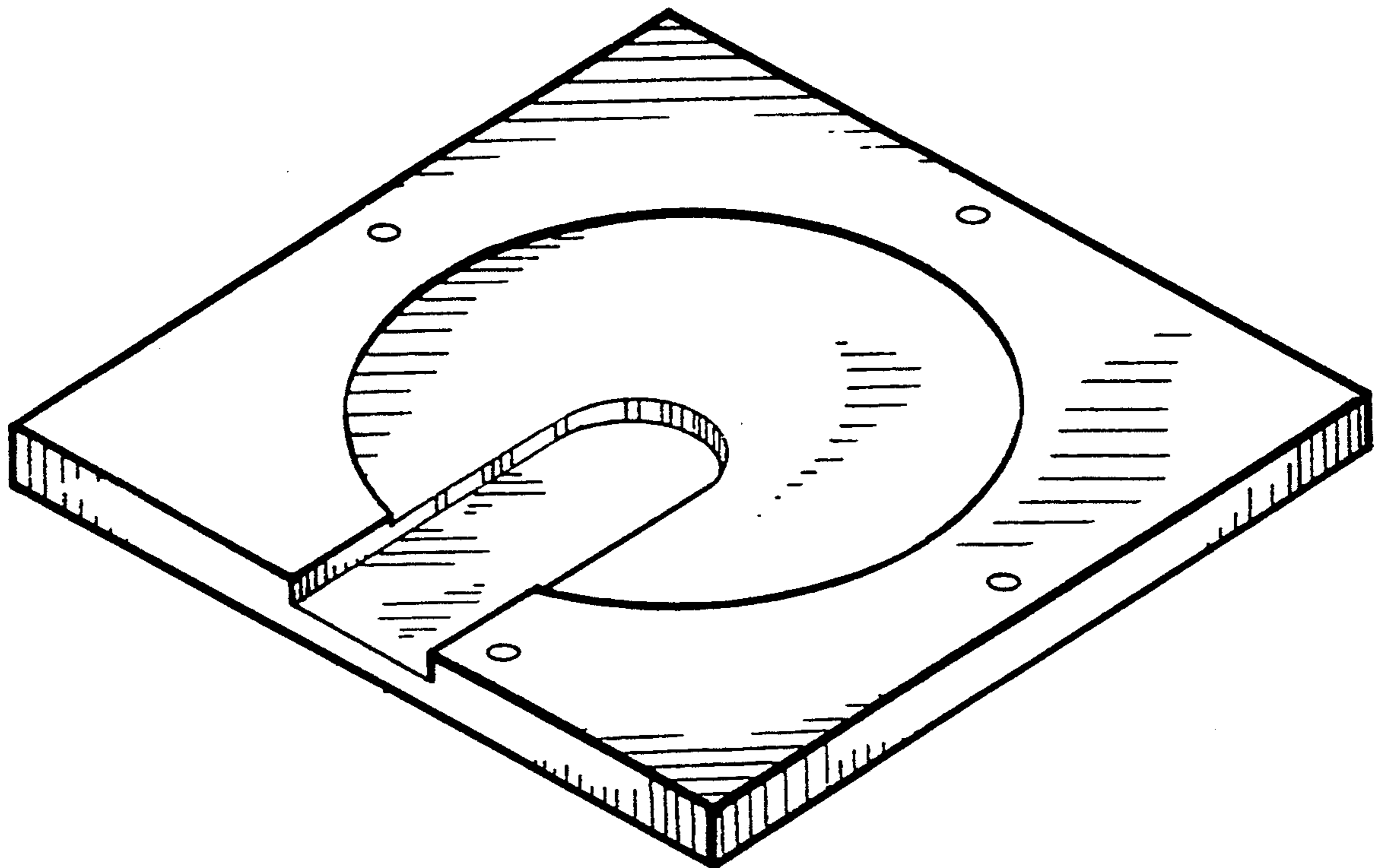
FIG. 3 is a front elevational view thereof;

FIG. 4 is a left side elevational view thereof, the right side elevational view and the rear elevational view being the same;

FIG. 5 is a top plan view thereof;

FIG. 6 is a bottom plan view thereof; and,

FIG. 7 is a top plan view of a second embodiment of a semiconductor wafer support, all other views being the same as the first embodiment except for the four apertures seen on the top and bottom.



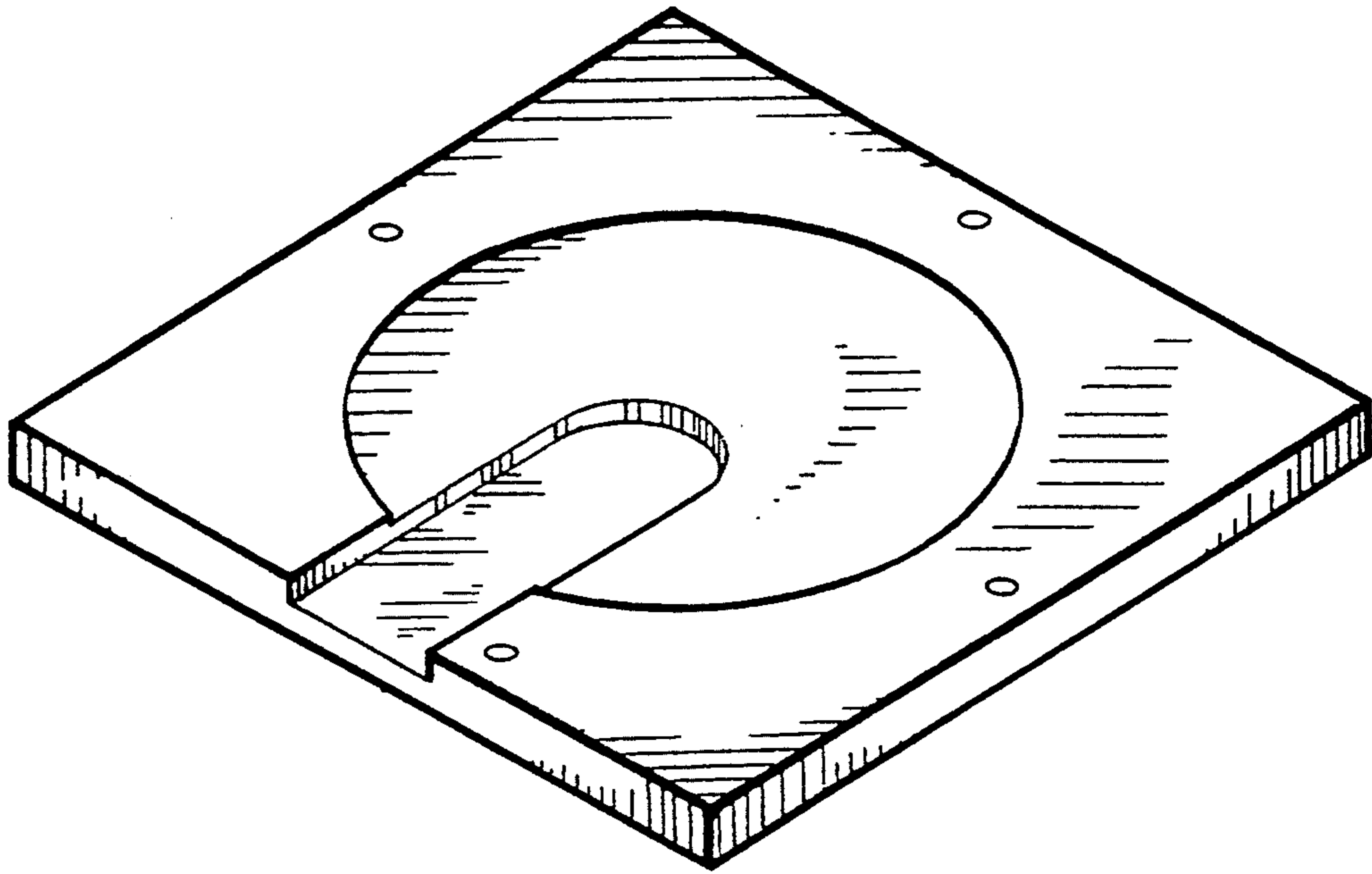


Fig. 1

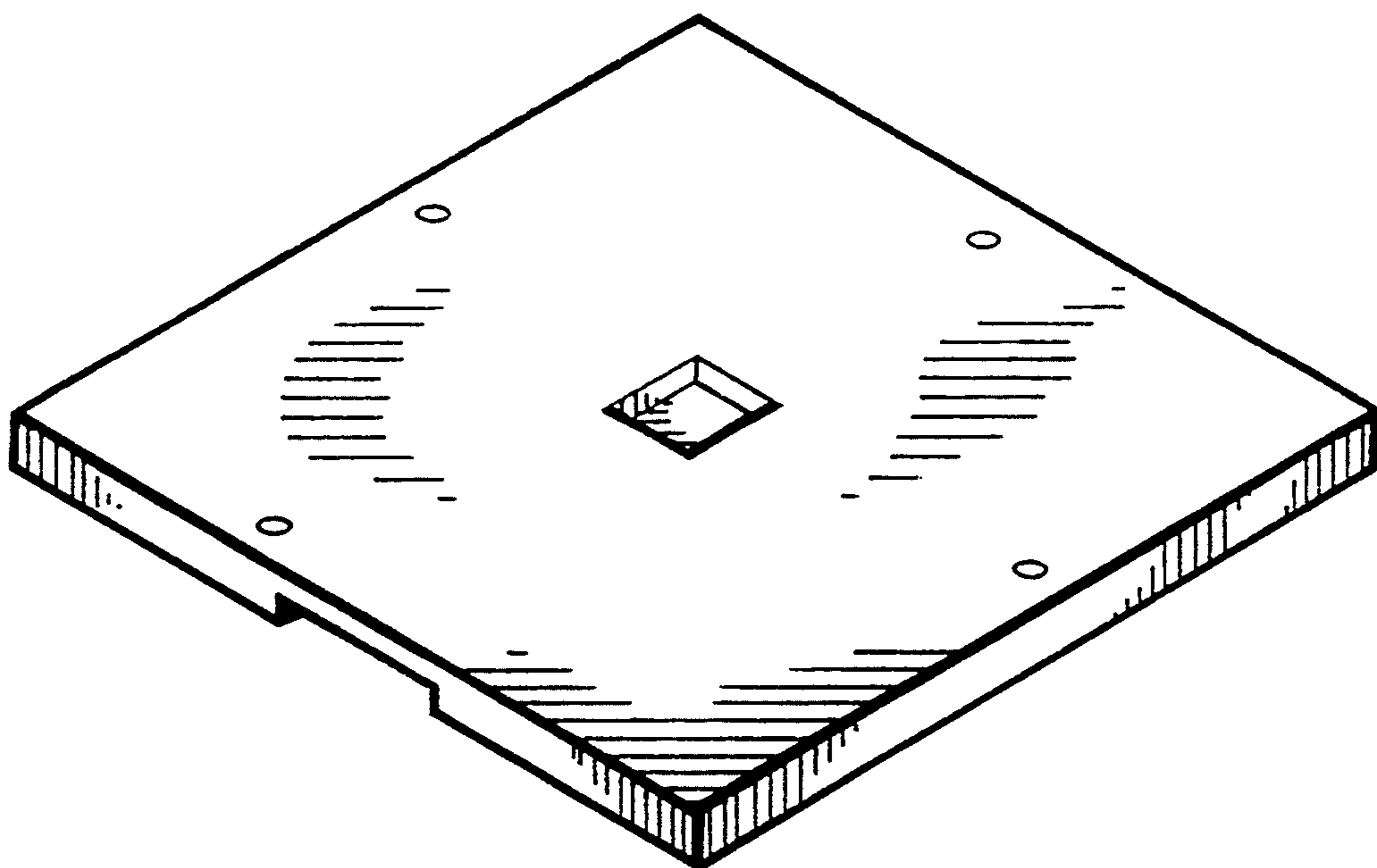


Fig. 2



Fig. 3



Fig. 4

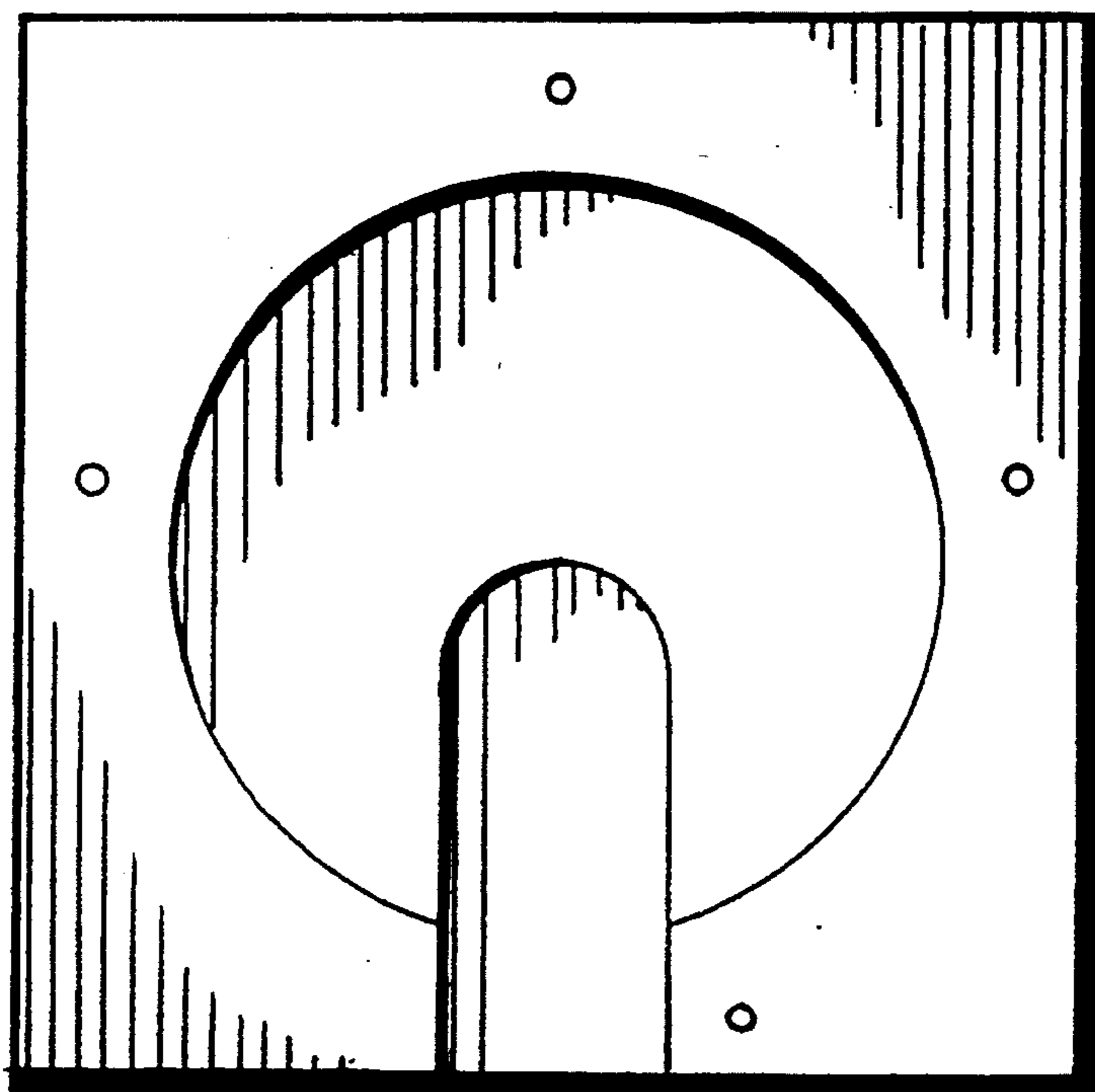


Fig. 5

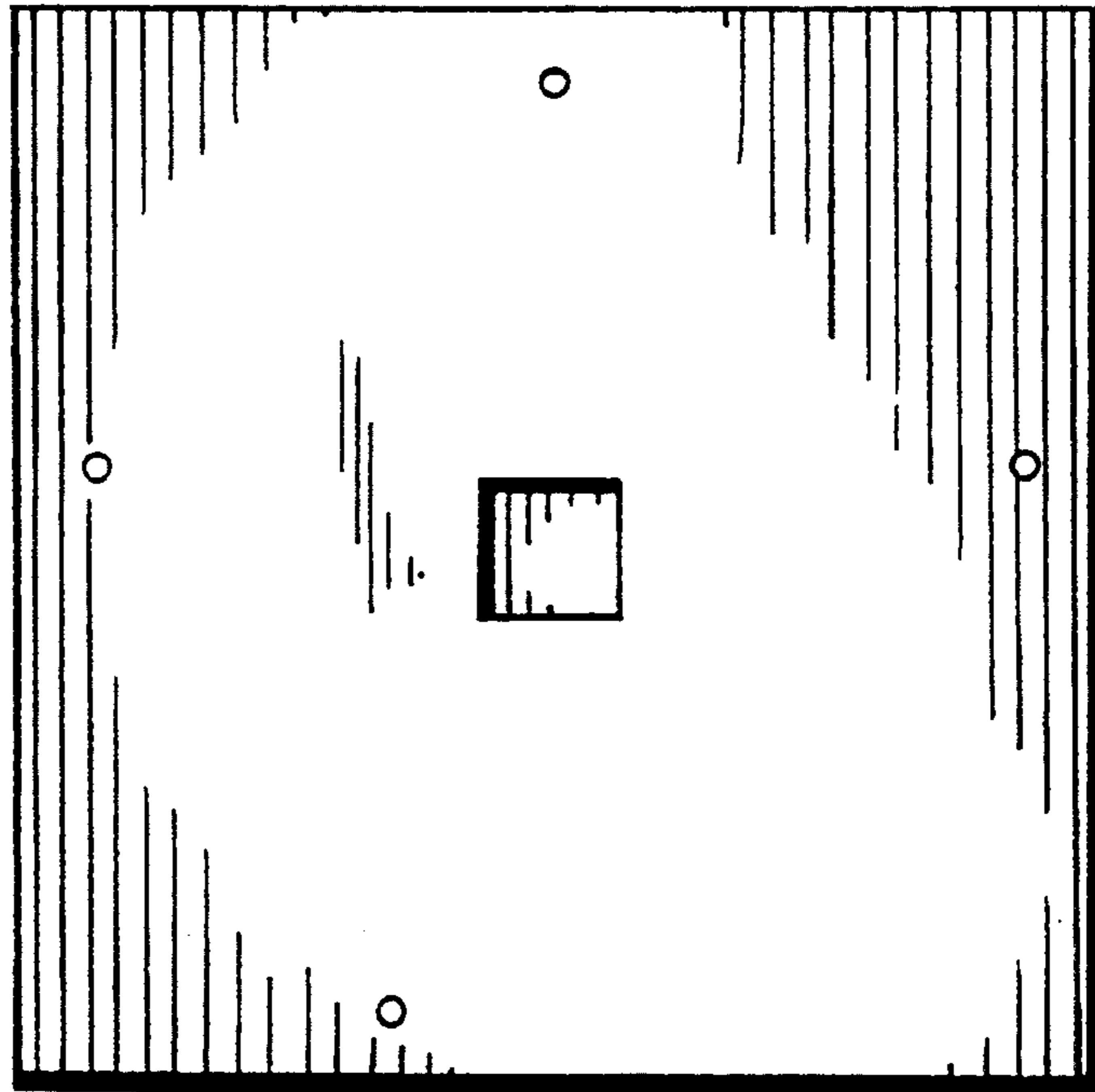


Fig. 6

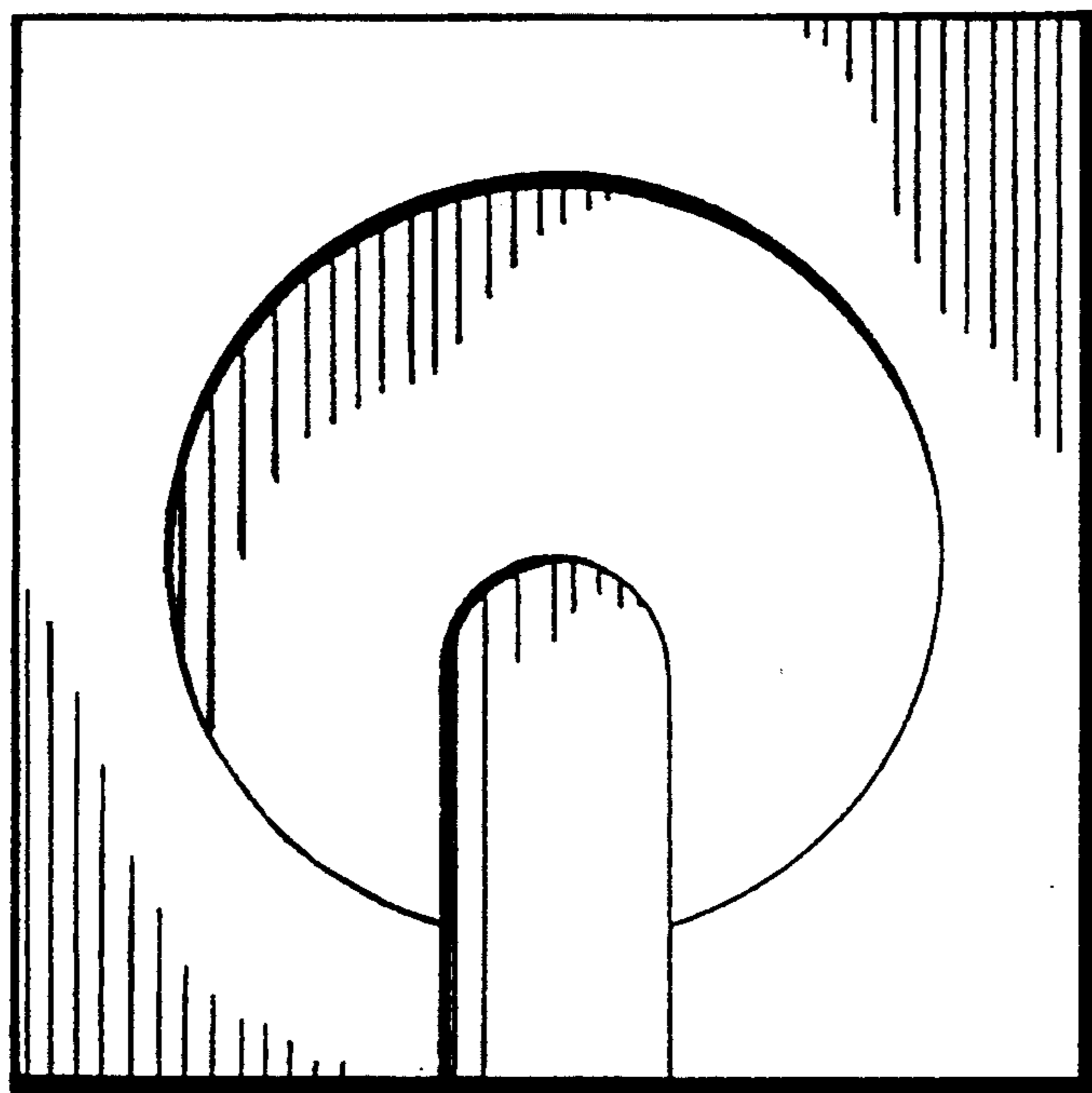


Fig. 7