



US00D350939S

# United States Patent [19]

[11] Patent Number: Des. 350,939

Rossman et al.

[45] Date of Patent: \*\* Sep. 27, 1994

[54] **MULTIPLE OUTLET SURGE PROTECTOR**

[75] Inventors: **Jon R. Rossman**, Chelmsford; **Bryan R. Hotaling**, Arlington, both of Mass.

[73] Assignee: **Curtis Manufacturing Company, Inc.**, Jaffrey, N.H.

[\*\*] Term: **14 Years**

[21] Appl. No.: **5,782**

[22] Filed: **Mar. 12, 1993**

[52] U.S. Cl. .... **D13/142**

[58] Field of Search ..... 361/56, 91, 111, 119, 361/127; 439/501, 620, 651, 652, 655; D13/137, 139, 142, 143

[56] **References Cited**

**U.S. PATENT DOCUMENTS**

D. 301,576 6/1989 Wang ..... D13/143  
5,232,381 8/1993 Yu ..... 439/652

**FOREIGN PATENT DOCUMENTS**

0993450 10/1951 France ..... D13/2

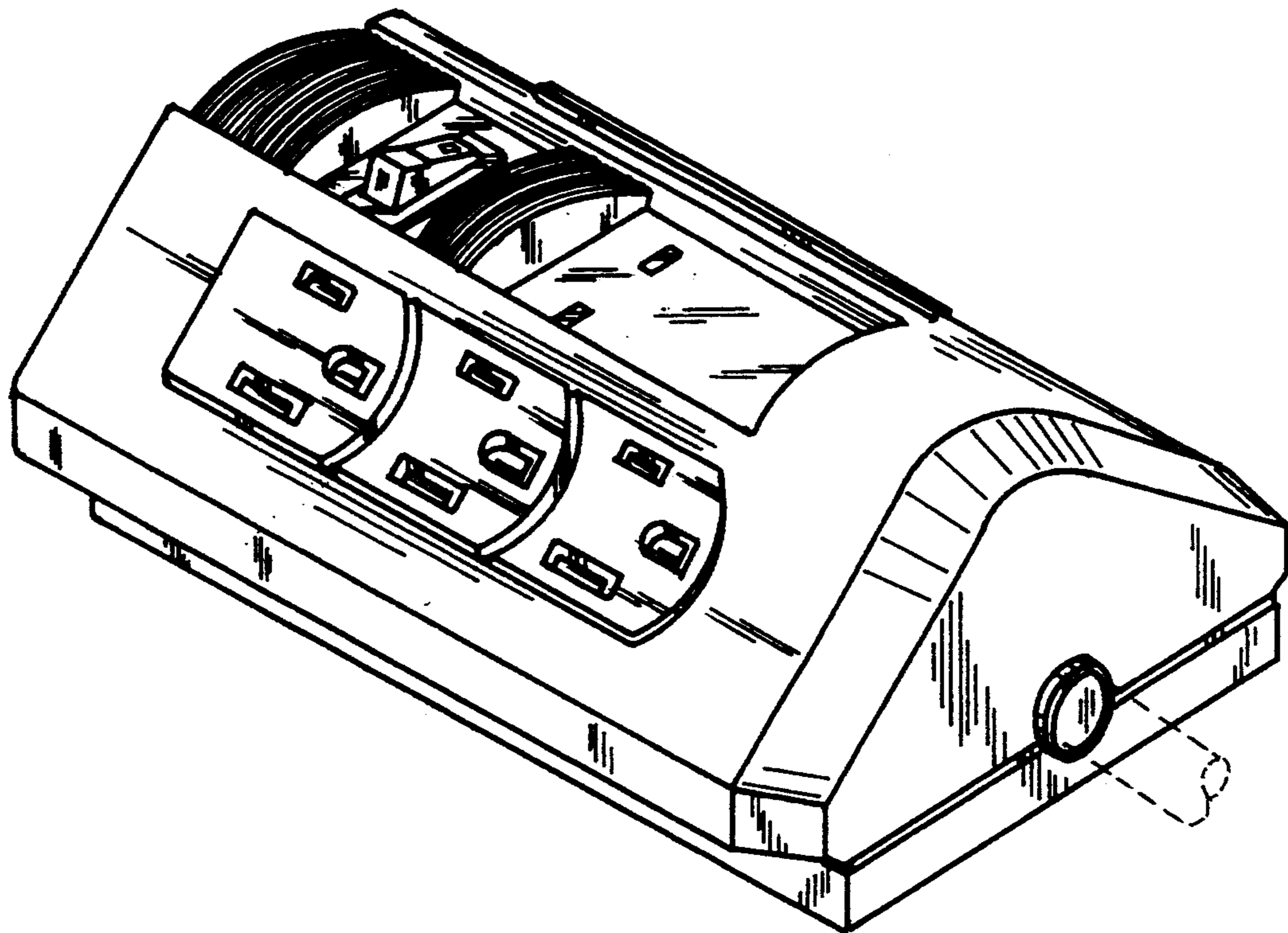
*Primary Examiner*—Wallace R. Burke  
*Assistant Examiner*—Joel Sincavage  
*Attorney, Agent, or Firm*—Richard P. Crowley

[57] **CLAIM**

The ornamental design for multiple outlet surge protector, as shown and described.

**DESCRIPTION**

FIG. 1 is a perspective view of a multiple outlet surge protector showing our new design;  
FIG. 2 is a top plan view of the invention of FIG. 1;  
FIG. 3 is a side plan view of one side of the invention of FIG. 1;  
FIG. 4 is a bottom plan view of the invention of FIG. 1;  
FIG. 5 is a side plan view of the other side of the invention of FIG. 1;  
FIG. 6 is a front plan view of the invention of FIG. 1; and,  
FIG. 7 is a back plan view of the invention of FIG. 1. The broken line showing of the electrical cable throughout the drawing figures is included for the purpose of illustrating environmental structure only and forms no part of the claimed design.



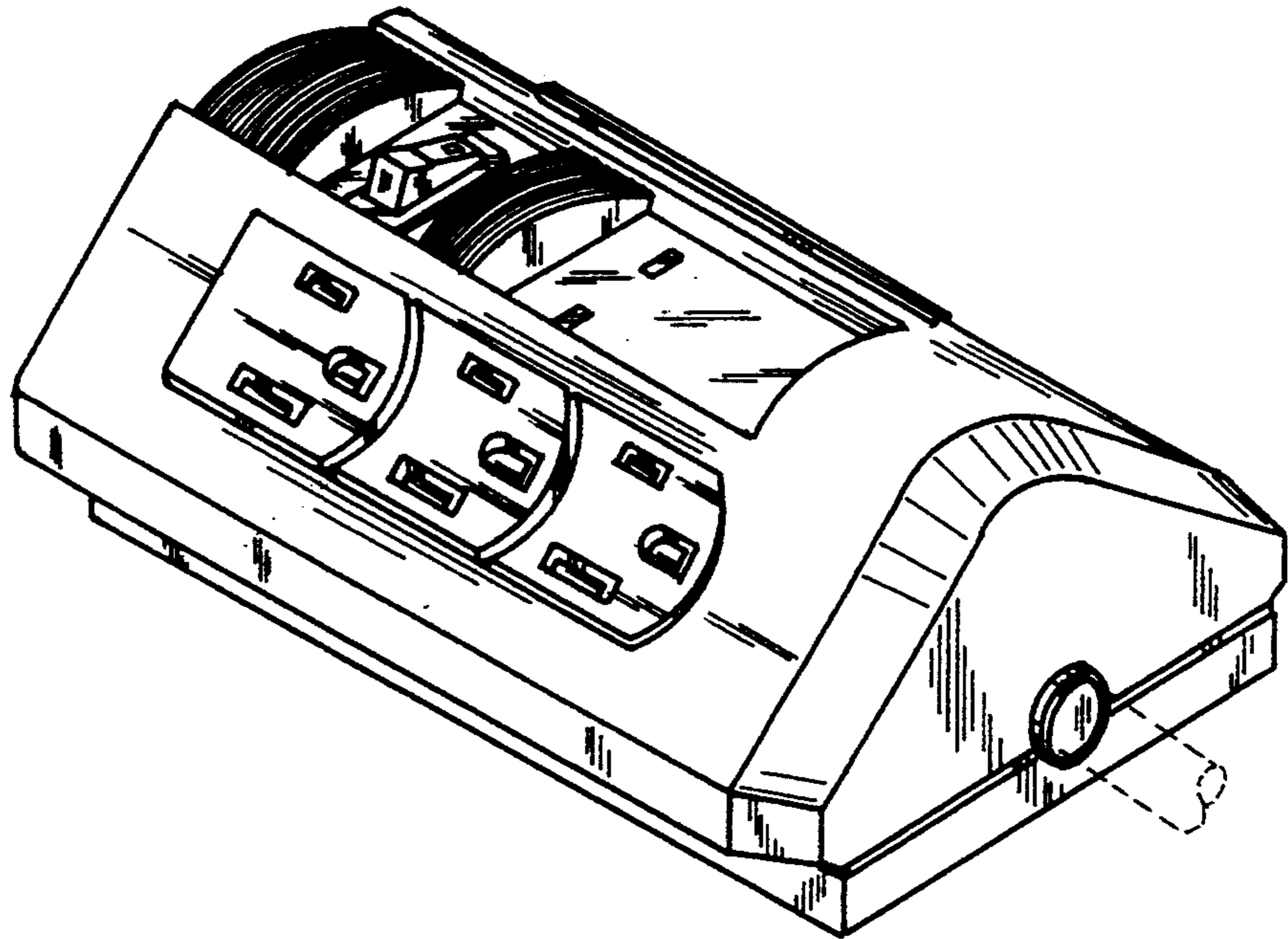


FIG. 1

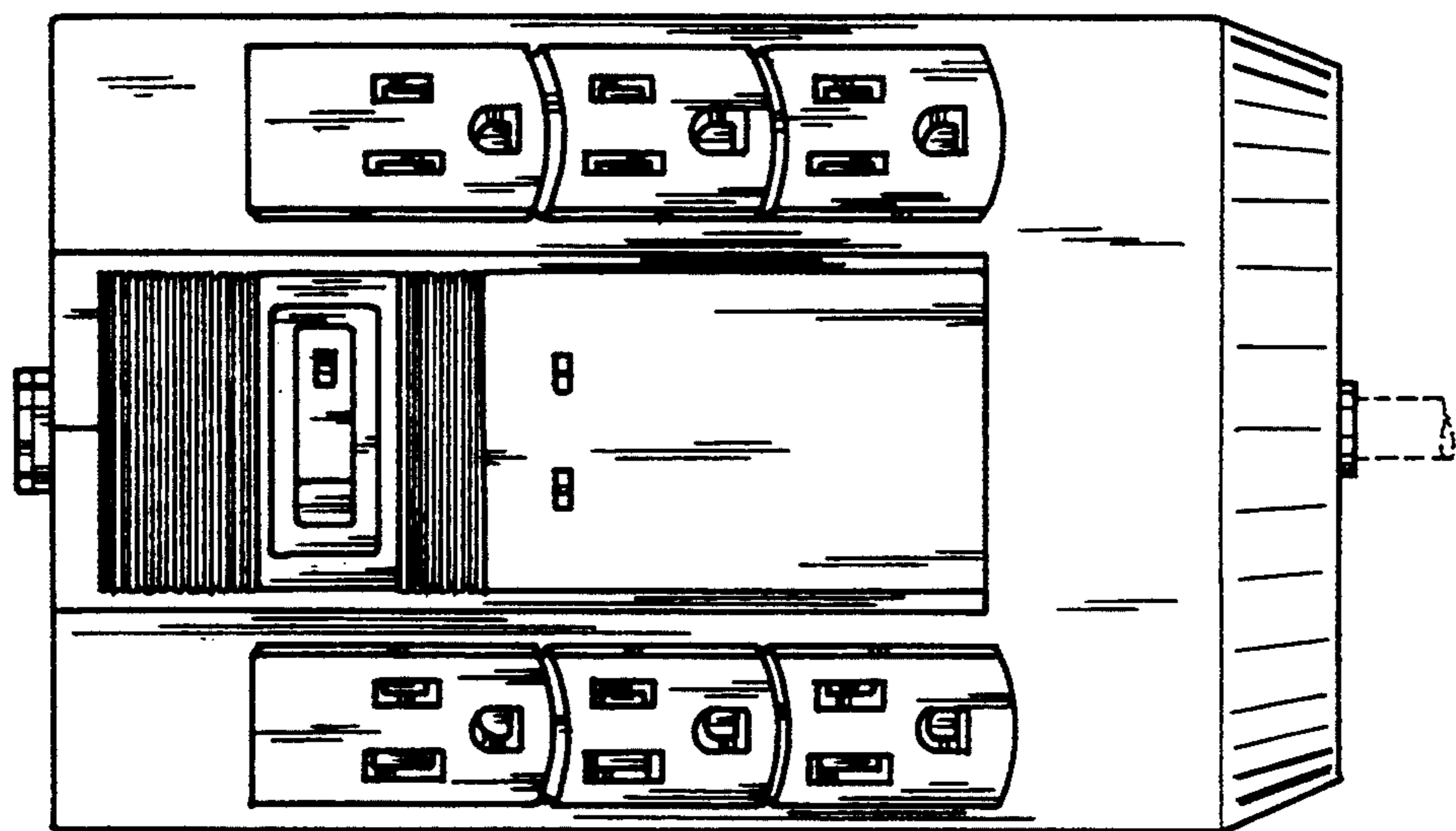


FIG. 2

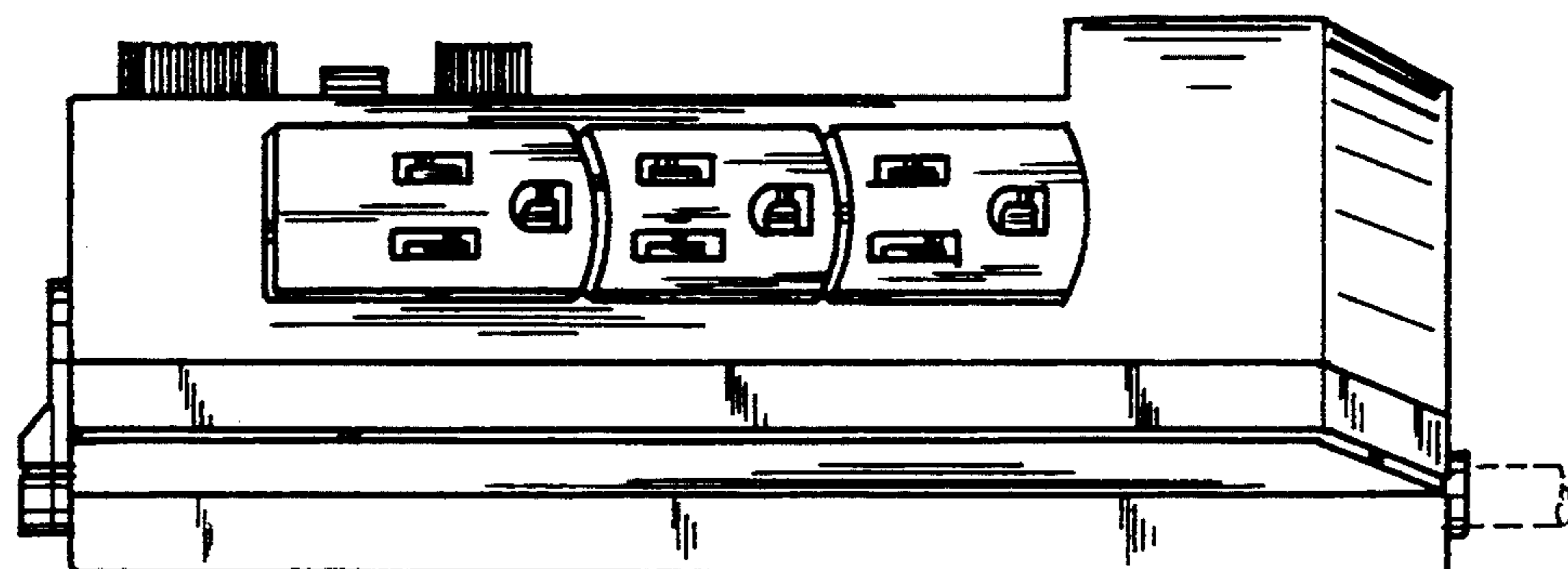


FIG. 3

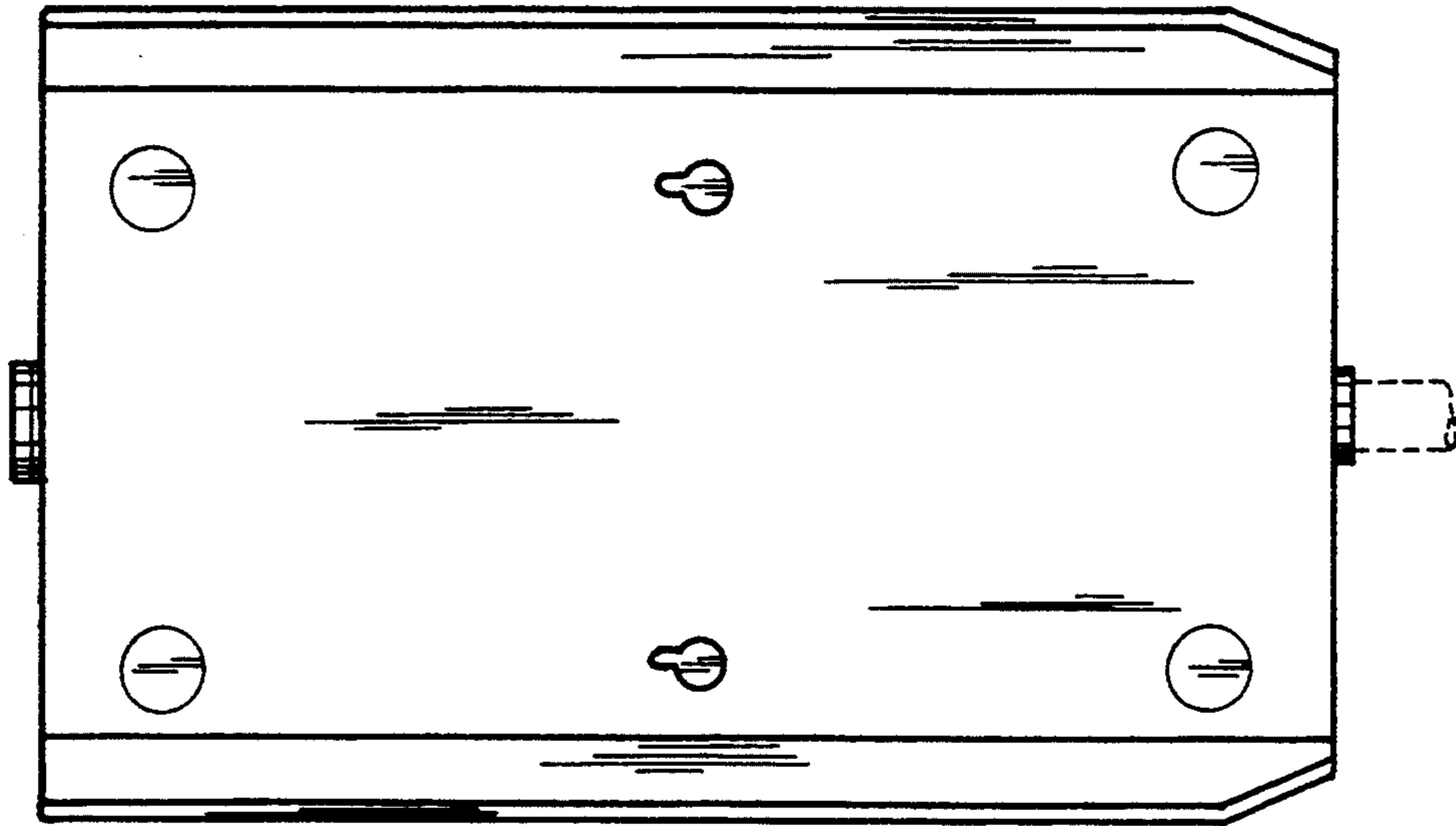


FIG. 4

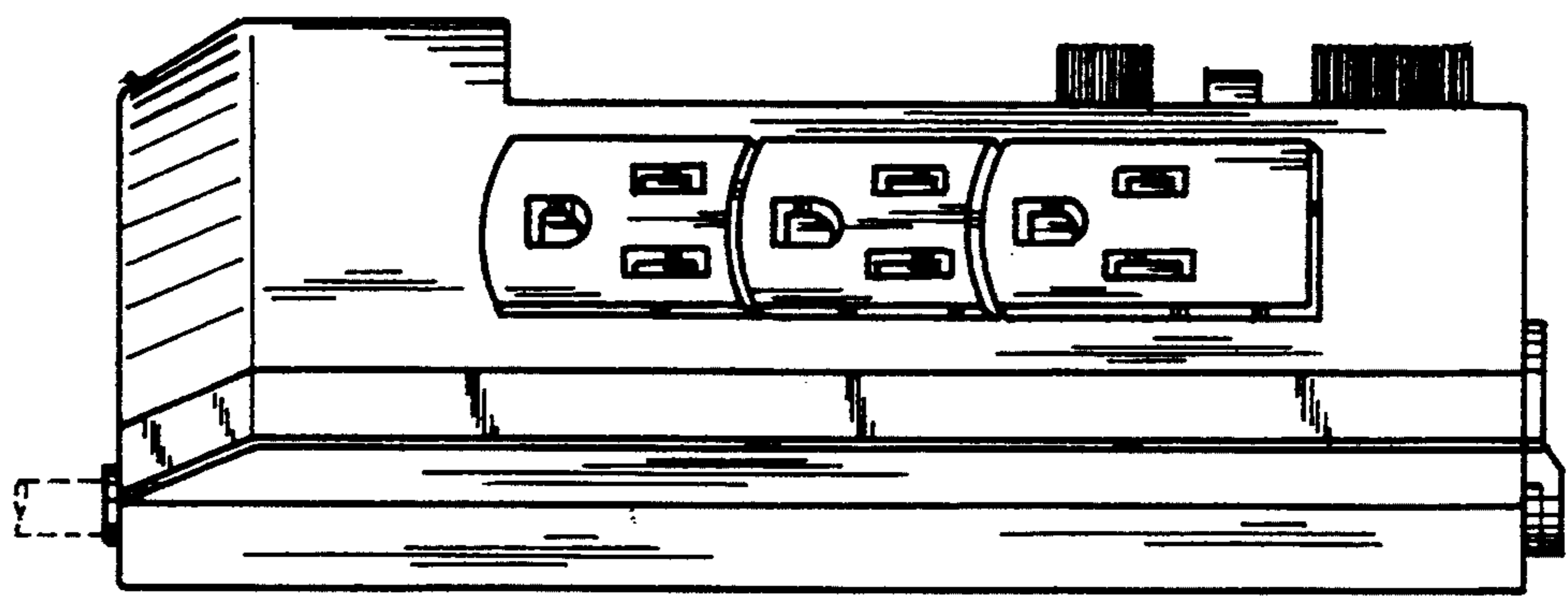


FIG. 5

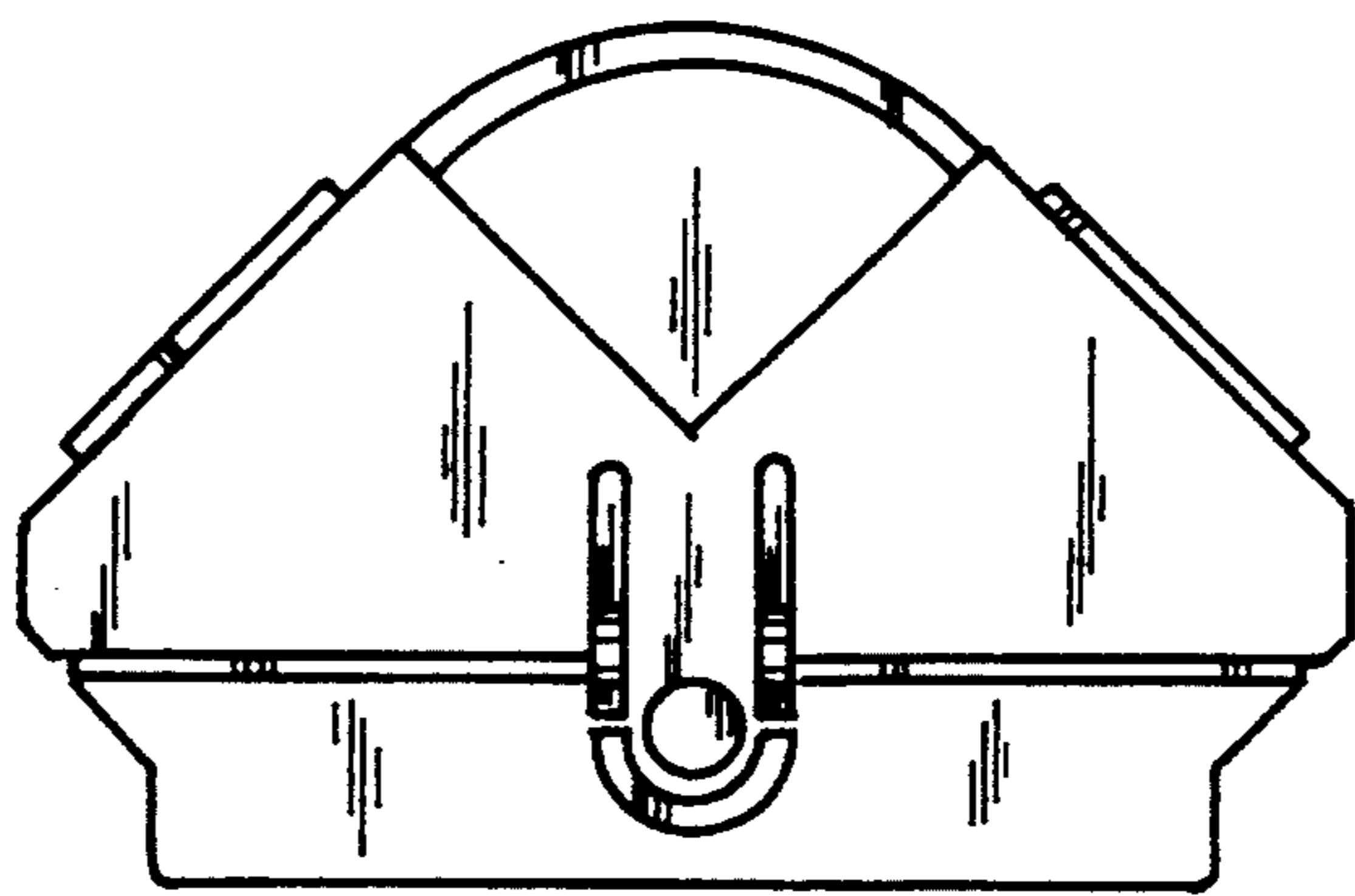


FIG. 6

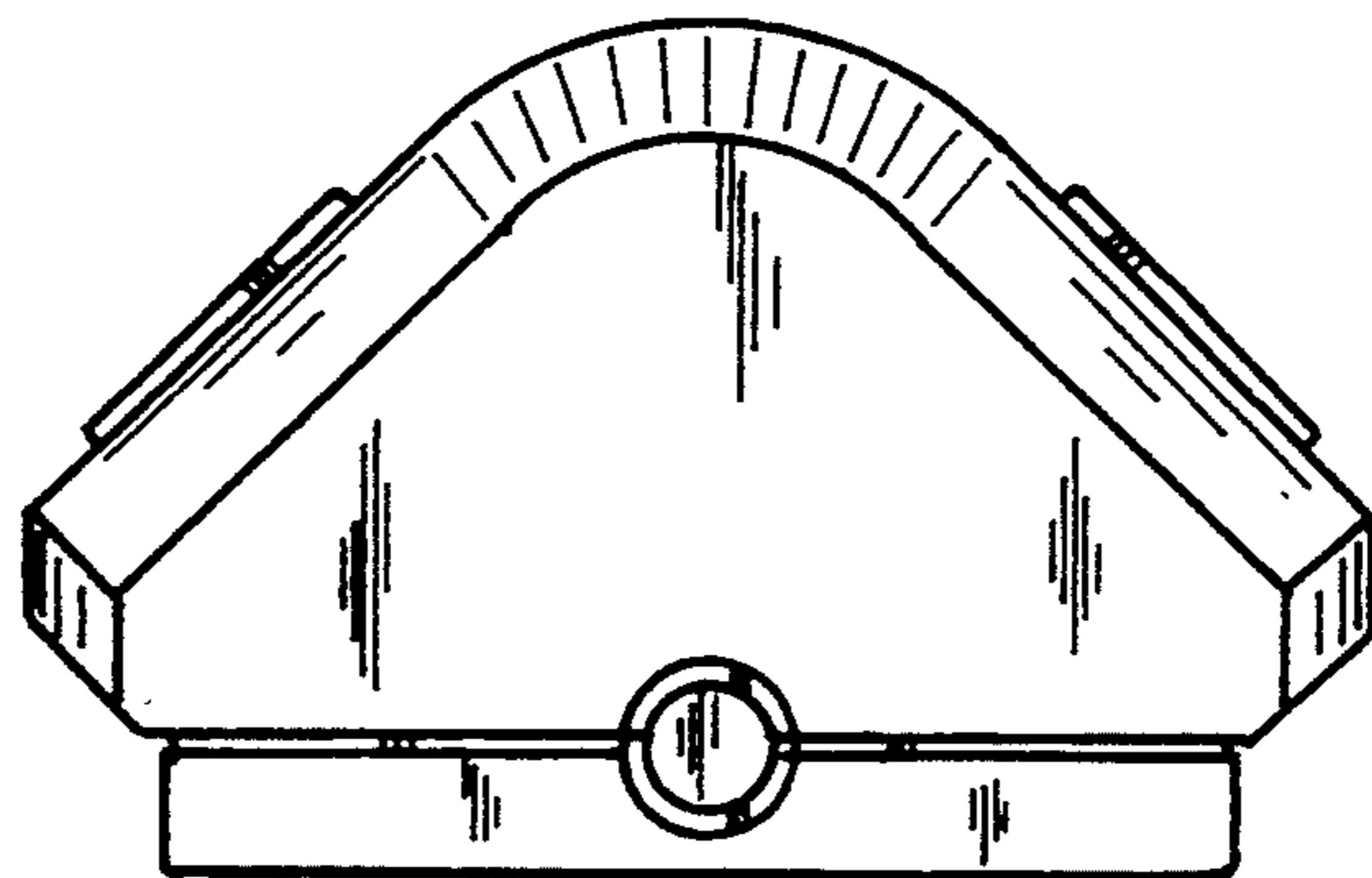


FIG. 7