



US00D350933S

United States Patent [19]
Scarambone

[11] **Patent Number: Des. 350,933**
[45] **Date of Patent: ** Sep. 27, 1994**

- [54] **HULL CAP FOR INFLATABLE BOATS**
- [75] **Inventor: Carlo Scarambone, Rasha Koh Sireh, Thailand**
- [73] **Assignee: Skip Roland, Phuket Island, Thailand**
- [**] **Term: 14 Years**
- [21] **Appl. No.: 1,305**
- [22] **Filed: Nov. 9, 1992**
- [52] **U.S. Cl. D12/317; 114/345; D12/307**
- [58] **Field of Search 114/345; D12/317, 307**

- [56] **References Cited**
- FOREIGN PATENT DOCUMENTS**
- 1337554 9/1963 France 114/345

Primary Examiner—Kay H. Chin

Attorney, Agent, or Firm—Fulwider, Patton, Lee & Utecht

[57] **CLAIM**

The ornamental design for a hull cap for inflatable boats, as shown and described.

DESCRIPTION

FIG. 1 is a rear perspective view of a hull cap for inflatable boats showing my new design;
 FIG. 2 is a side elevational view of such device with the opposite side of the device having the same appearance;
 FIG. 3 is a rear view of the device;
 FIG. 4 is a front view of the device;
 FIG. 5 is a top view of the device;
 FIG. 6 is a bottom view of the device; and,
 FIG. 7 is a rear perspective view of an inflatable boat provided with a pair of the hull cap devices of my design.
 The broken line illustration of inflatable boat is for illustrative purposes only and form no part of the claimed design.

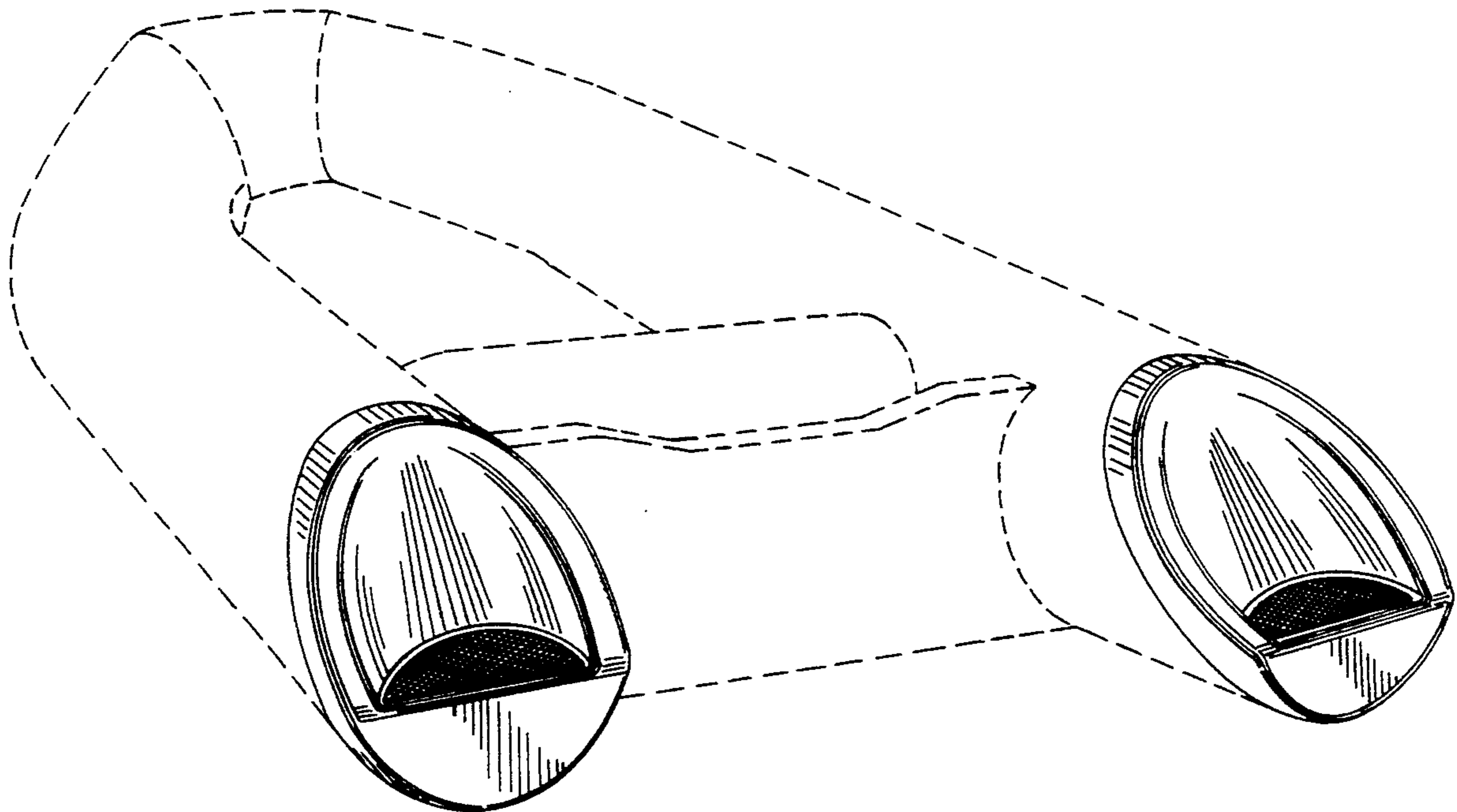


FIG. 1

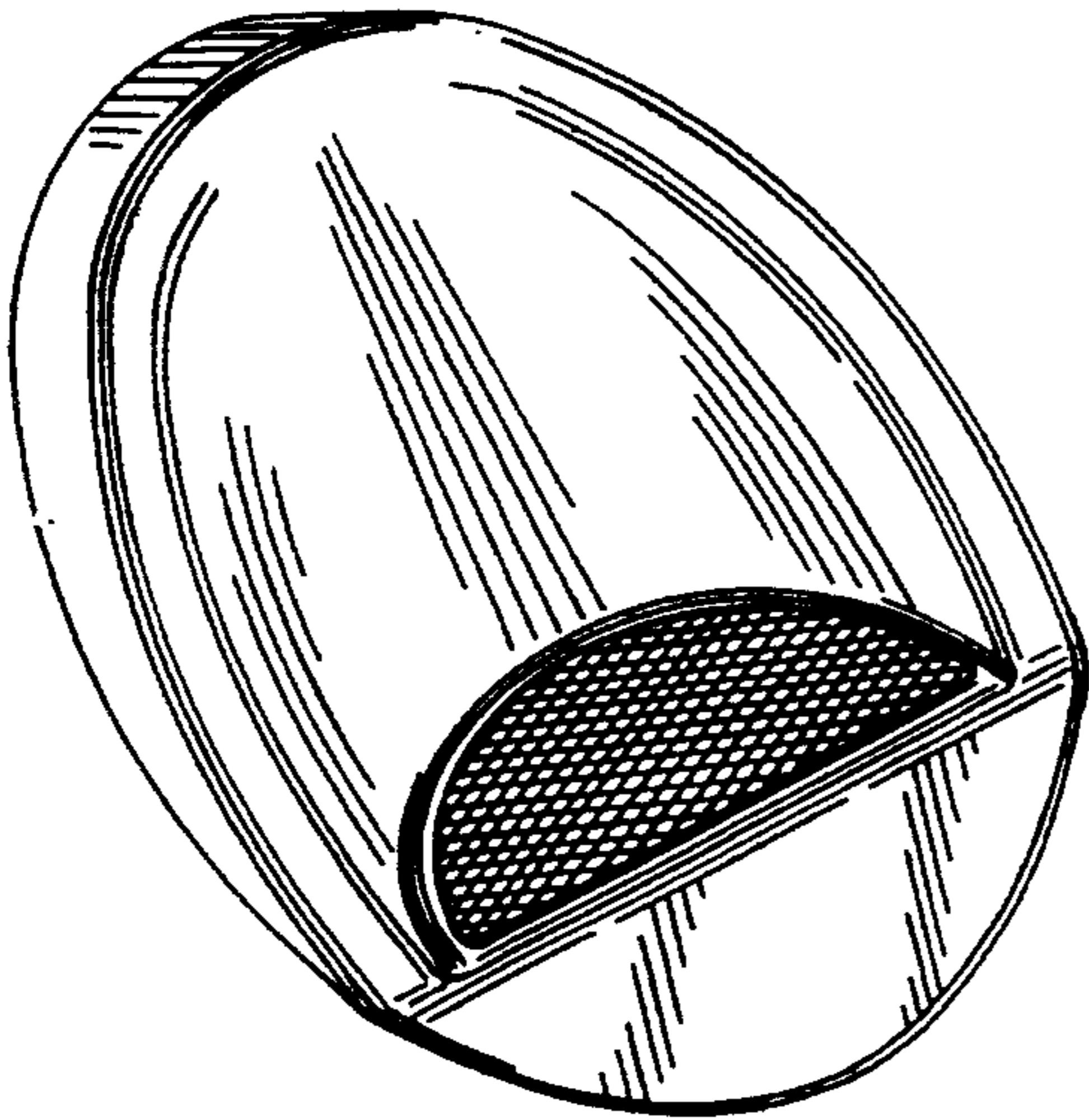


FIG. 2

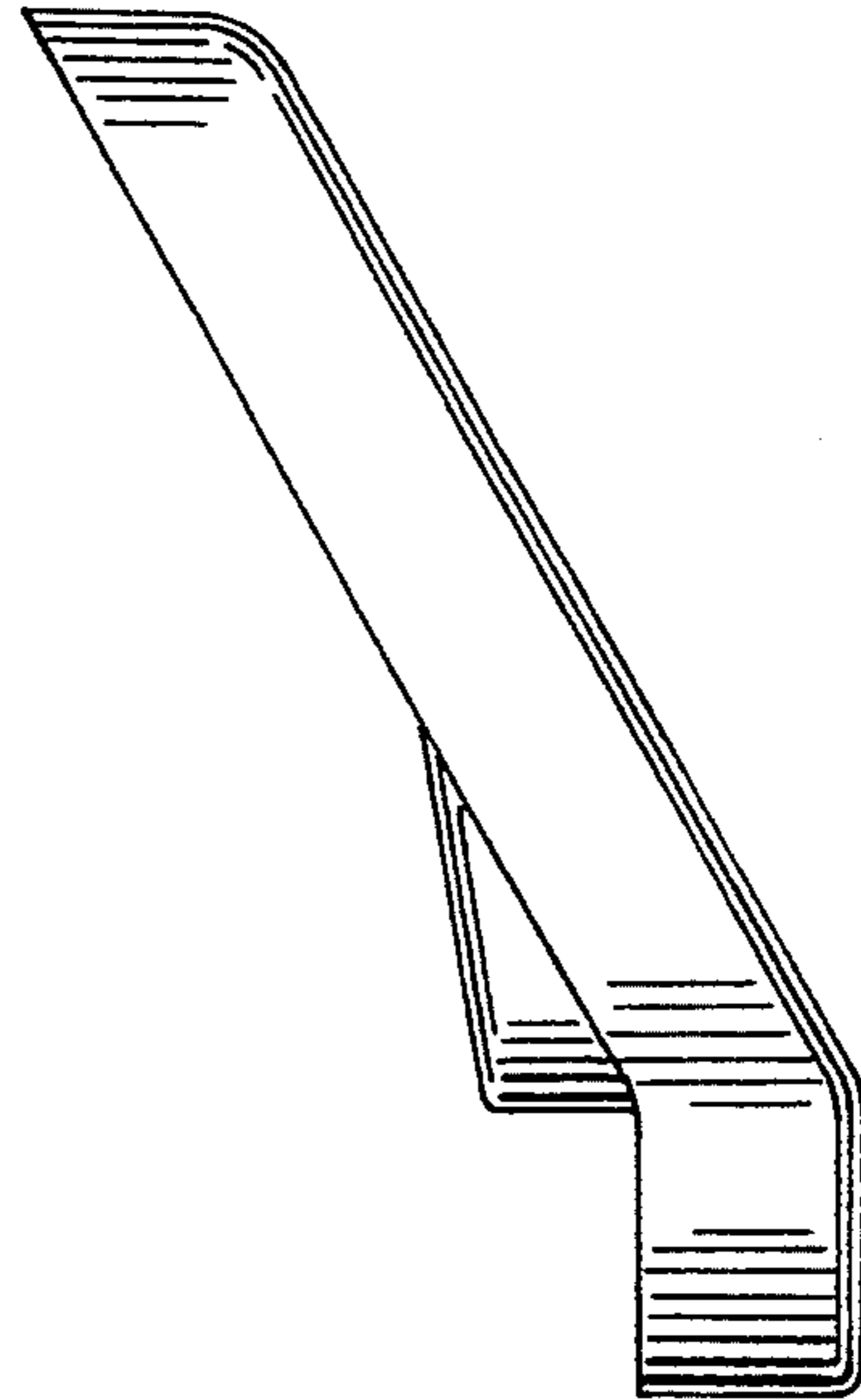


FIG. 3

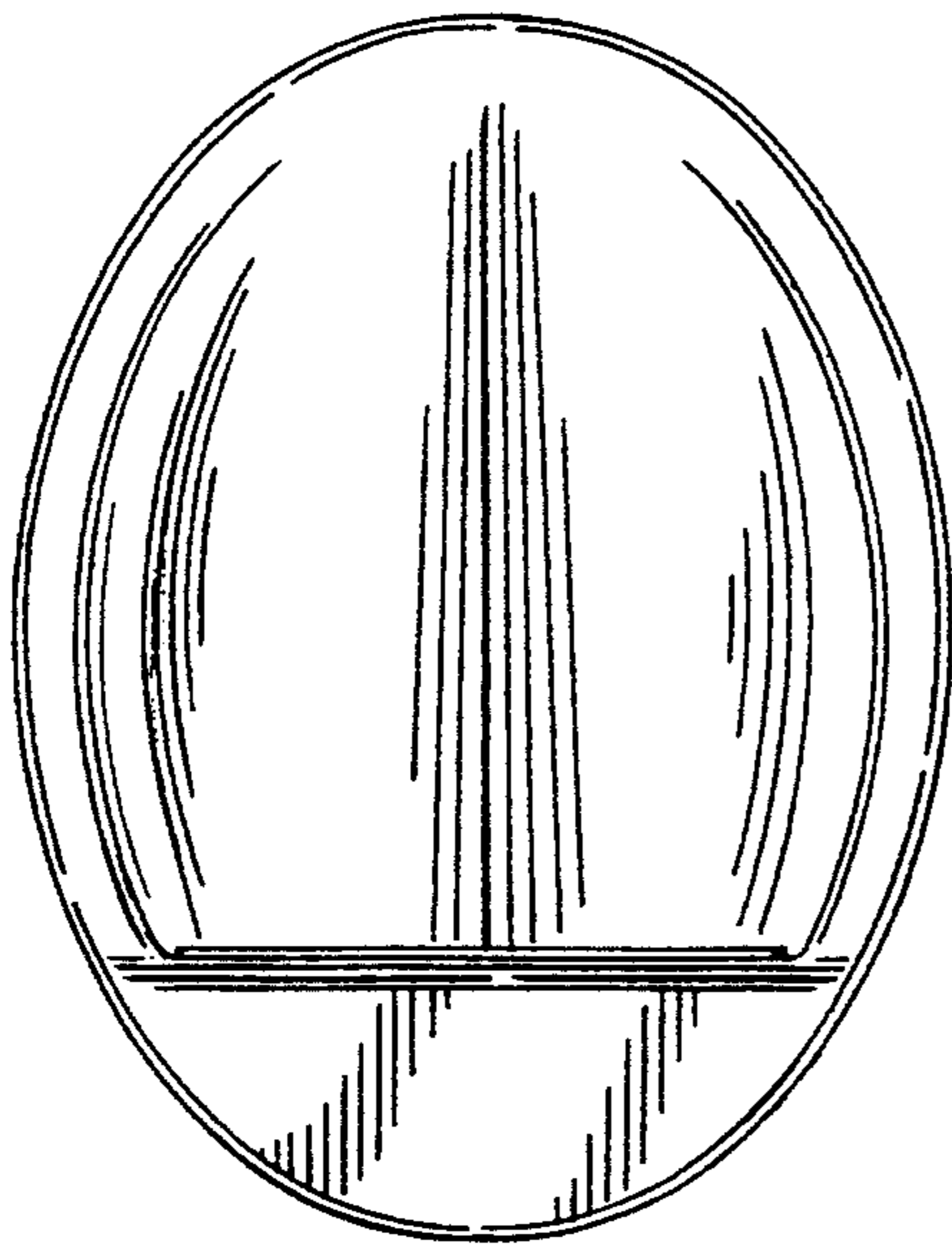


FIG. 4

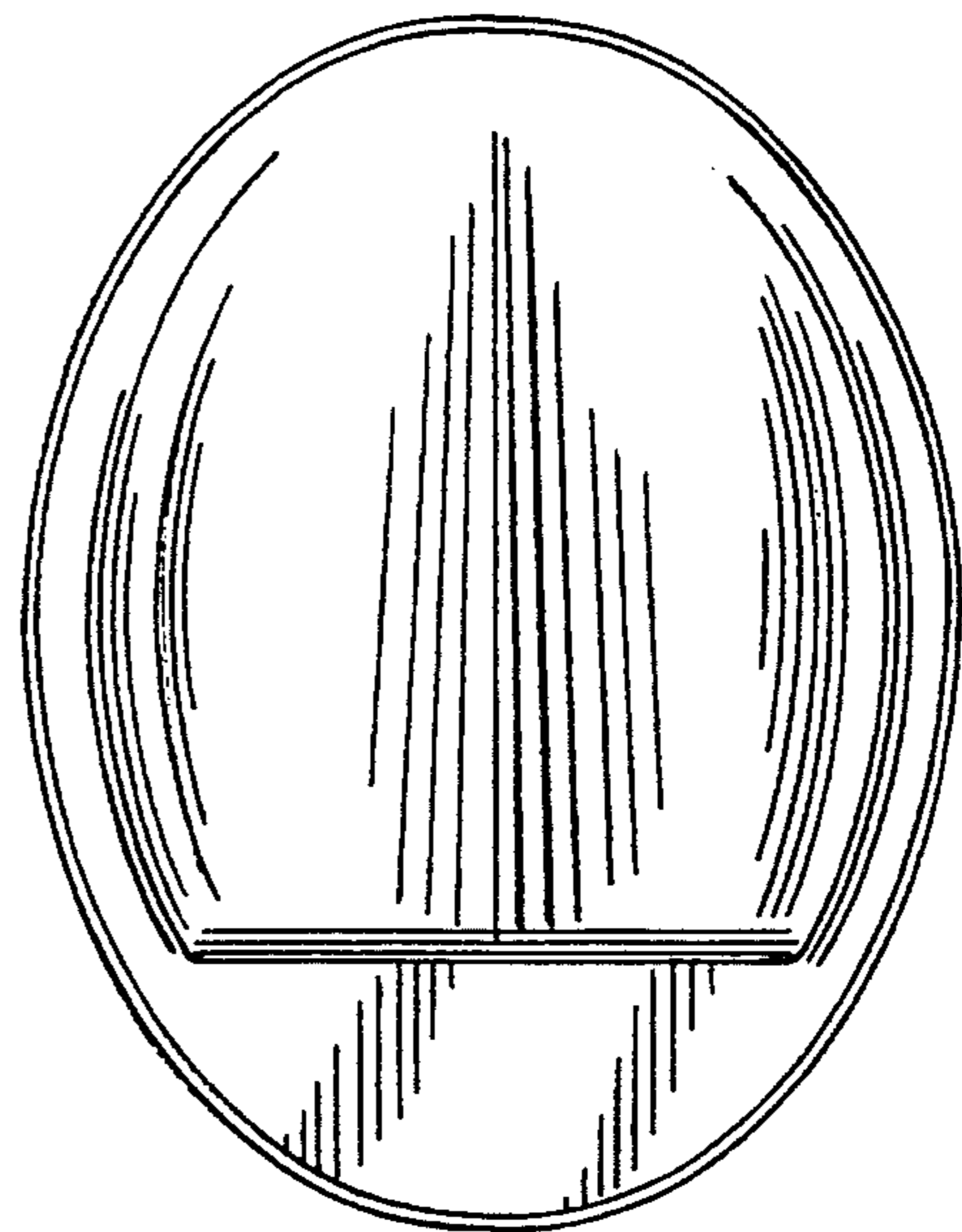


FIG. 5

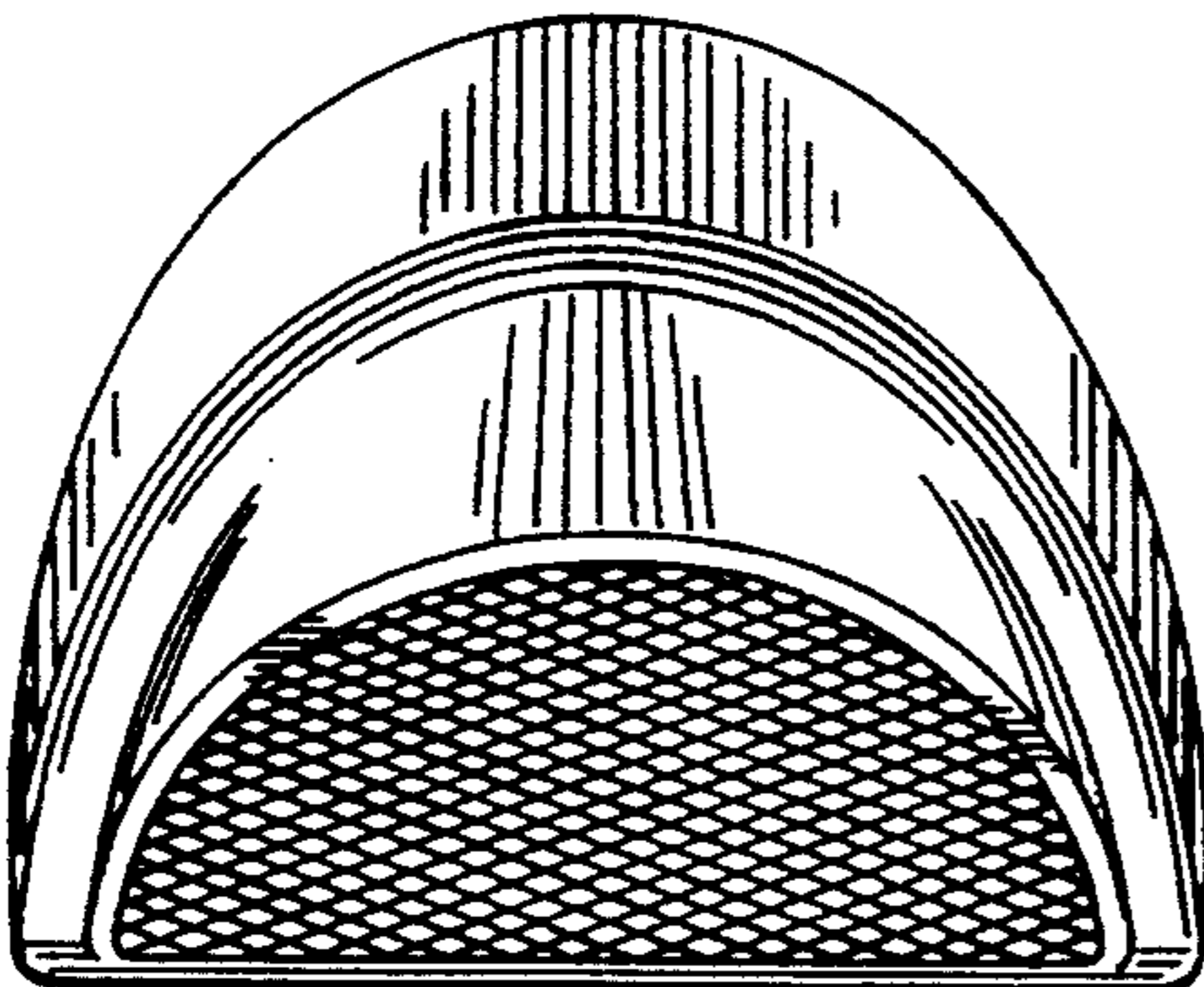


FIG. 6

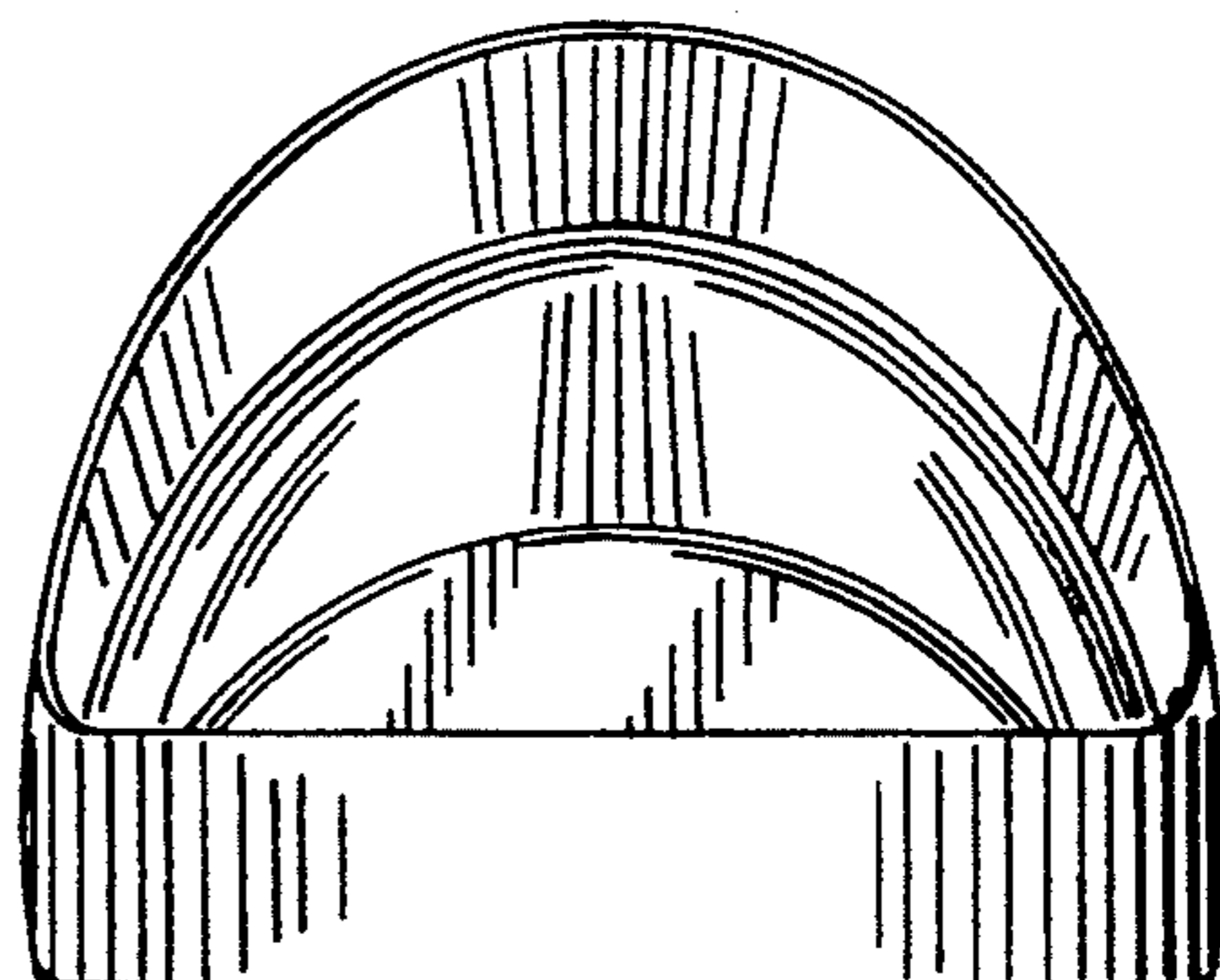


FIG. 7

