



US00D350923S

United States Patent [19]
Schmidlin et al.

[11] **Patent Number: Des. 350,923**
[45] **Date of Patent: ** Sep. 27, 1994**

[54] **JOGGING INFANT STROLLER**
[75] Inventors: **Thomas J. Schmidlin**, Newport, Ky.;
David Eyman, Cincinnati, Ohio
[73] Assignee: **TRI Industries, Inc.**, Bloomington,
Minn.
[**] Term: **14 Years**
[21] Appl. No.: **5,845**
[22] Filed: **Mar. 12, 1993**
[52] U.S. Cl. **D12/12; D12/128**
[58] Field of Search 280/650, 62, 658, 47.38;
D12/129, 128; D34/18, 12

4,335,900 6/1982 Fleischer .
4,346,912 8/1982 Habib .
4,353,567 10/1982 Weldy .
4,361,338 11/1982 Kuchenbecker et al. .
4,369,987 1/1983 Witherell .
4,373,740 2/1983 Hendrix .
4,403,673 9/1983 Ball .
4,408,776 10/1983 Randolph et al. .
4,422,663 12/1983 Hon .
4,526,390 7/1985 Slolnik .
4,542,915 9/1985 Wheeler, III et al. .
4,586,721 5/1986 Harada et al. .
4,618,184 10/1986 Harvey .
4,632,420 12/1986 Miyagi .
4,902,027 2/1990 Skelly .
4,934,728 6/1990 Chen .
4,953,880 9/1990 Sudakoff et al. .
5,029,891 7/1991 Jacobs .
5,076,599 12/1991 Lockett et al. .
5,123,670 6/1992 Chen .
5,188,389 2/1993 Baechler et al. 280/650
5,259,634 11/1993 Berner et al. 280/650

[56] **References Cited**
U.S. PATENT DOCUMENTS

D. 204,254 4/1966 Cerf .
D. 206,116 11/1966 Hughes .
D. 274,714 7/1984 Cone .
D. 290,825 7/1987 Mathies et al. .
D. 297,525 9/1988 Baechler .
D. 301,850 6/1989 Clement et al. .
D. 315,885 4/1991 Jacobs .
699,186 5/1902 Katzke .
716,972 12/1902 Whitmore .
2,425,688 8/1947 Schulte .
2,455,119 11/1948 Hall .
2,781,225 2/1957 Heideman .
3,052,480 9/1962 Sanstrom .
3,110,504 11/1963 Myers .
3,305,244 2/1967 Flagg .
3,403,744 10/1968 Dinkel .
3,575,461 4/1971 Goldman et al. .
3,605,929 9/1971 Rolland .
3,656,777 4/1972 Keiser, Jr. .
3,698,502 10/1972 Patin .
3,712,636 1/1973 Gesslein .
3,781,031 12/1973 Patin .
3,873,116 3/1975 Perego .
3,909,043 9/1975 Black .
4,029,329 6/1977 Chambers .
4,064,957 12/1977 Parham .
4,072,318 2/1978 Laune .
4,166,630 9/1979 Sullivan et al. .
4,181,317 1/1980 Toda .
4,325,449 4/1982 D'Addio et al. .

FOREIGN PATENT DOCUMENTS

213538 9/1909 Fed. Rep. of Germany .
2348716 7/1974 Fed. Rep. of Germany .
2741543 6/1978 Fed. Rep. of Germany .
2579544 10/1986 France .
851163 10/1960 United Kingdom .
2099765 12/1982 United Kingdom .
2204282 11/1988 United Kingdom .

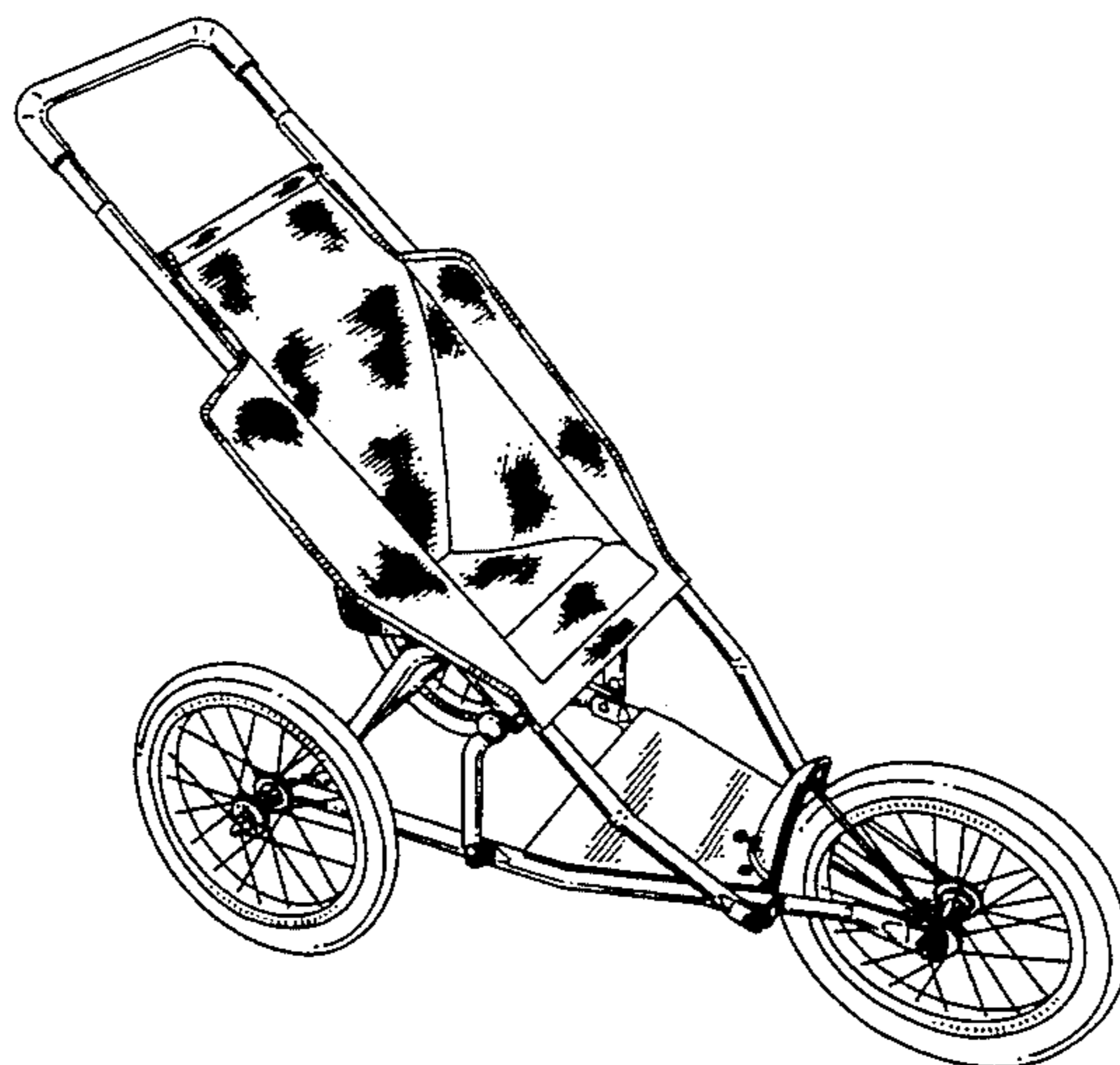
Primary Examiner—Kay H. Chin
Attorney, Agent, or Firm—Palmatier, Sjoquist & Helget

[57] **CLAIM**

The ornamental design for a jogging infant stroller, as shown and described.

DESCRIPTION

FIG. 1 is a perspective view of the jogging infant stroller of the present invention;
FIG. 2 is a side elevational view of the invention which is a mirror image of the other side elevation view;
FIG. 3 is a front elevational view of the invention;
FIG. 4 is a rear elevational view of the invention;
FIG. 5 is a bottom plan view of the invention; and,
FIG. 6 is a top plan view of the invention.



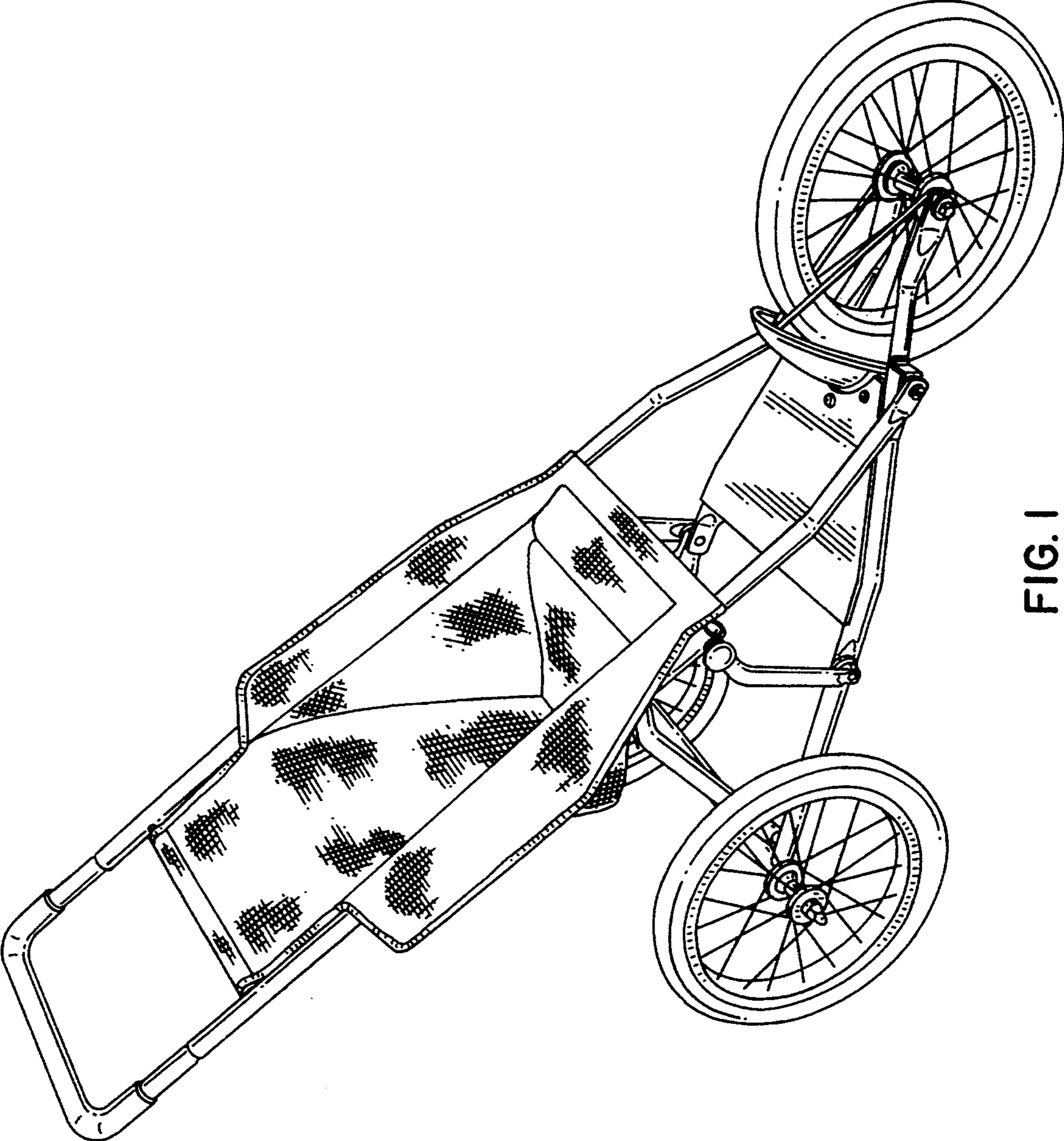


FIG. 1

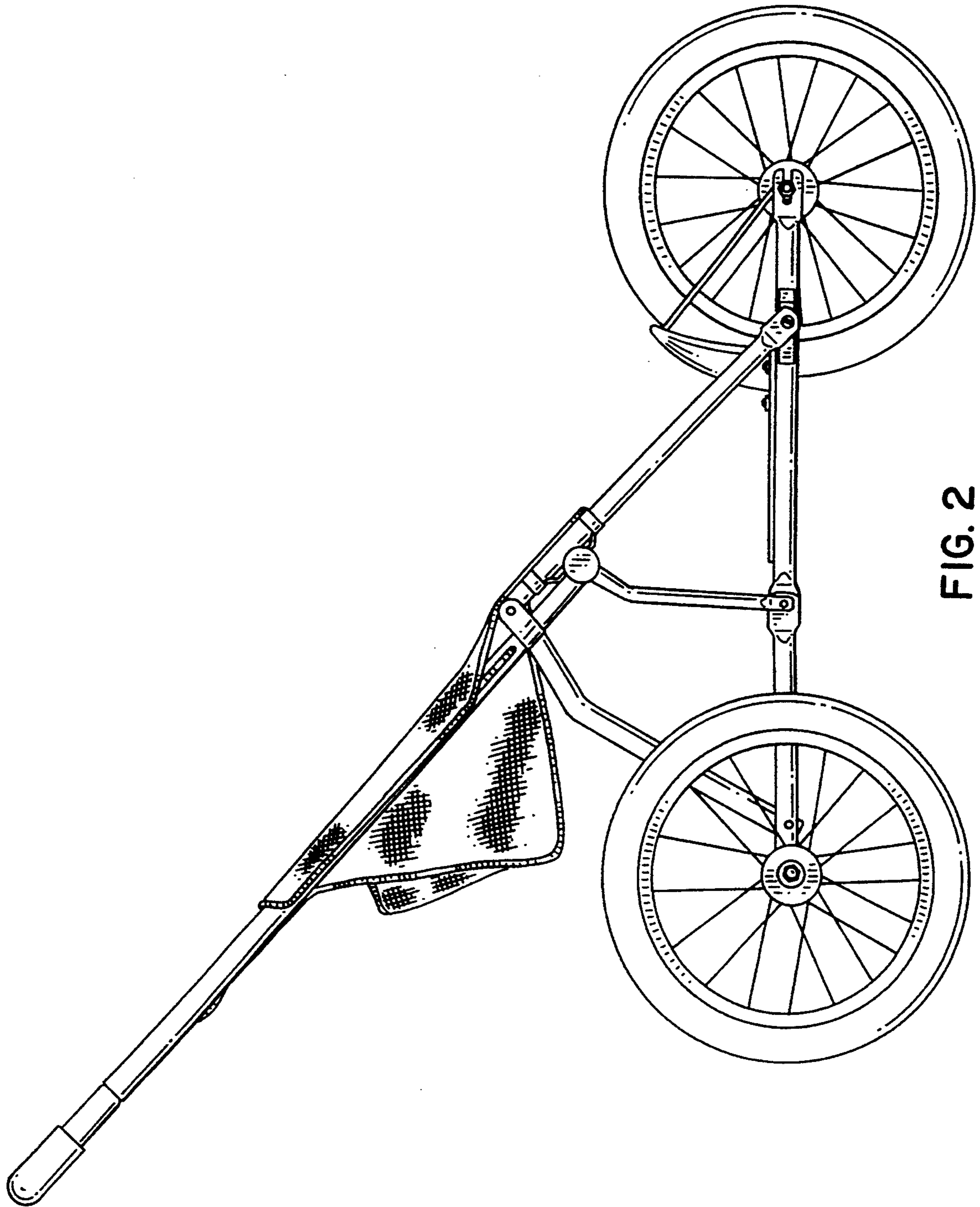


FIG. 2

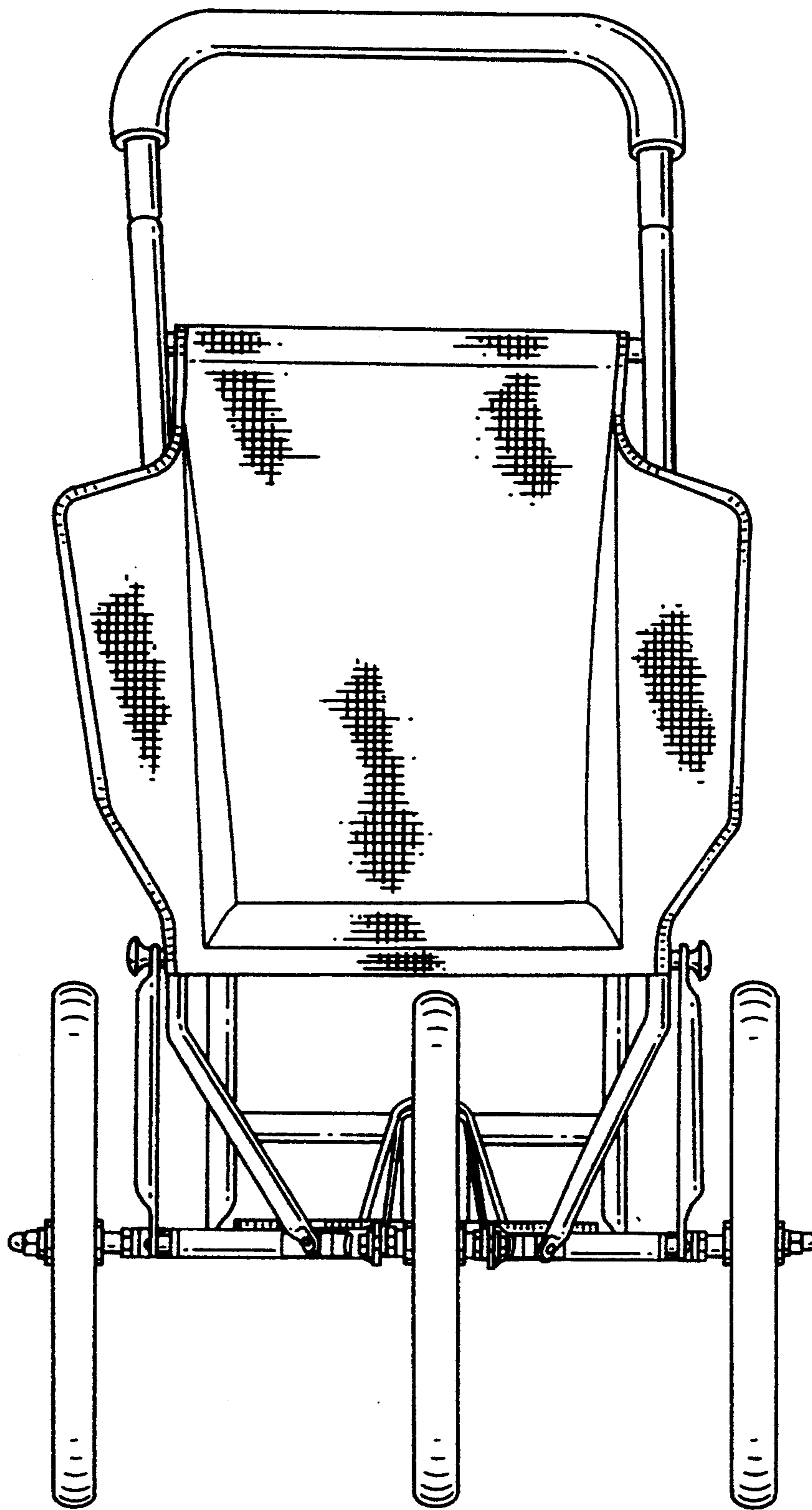


FIG. 3

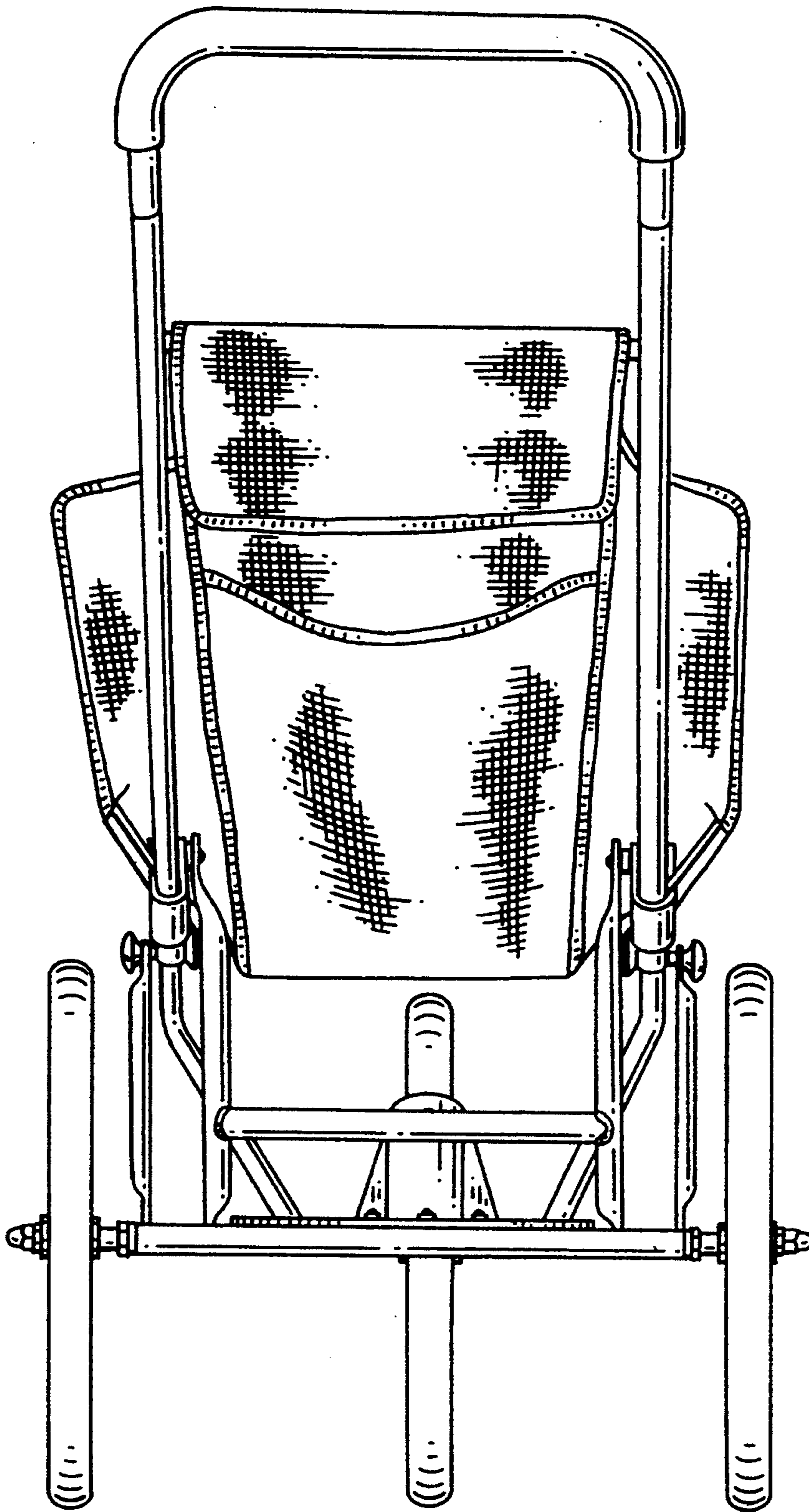


FIG. 4

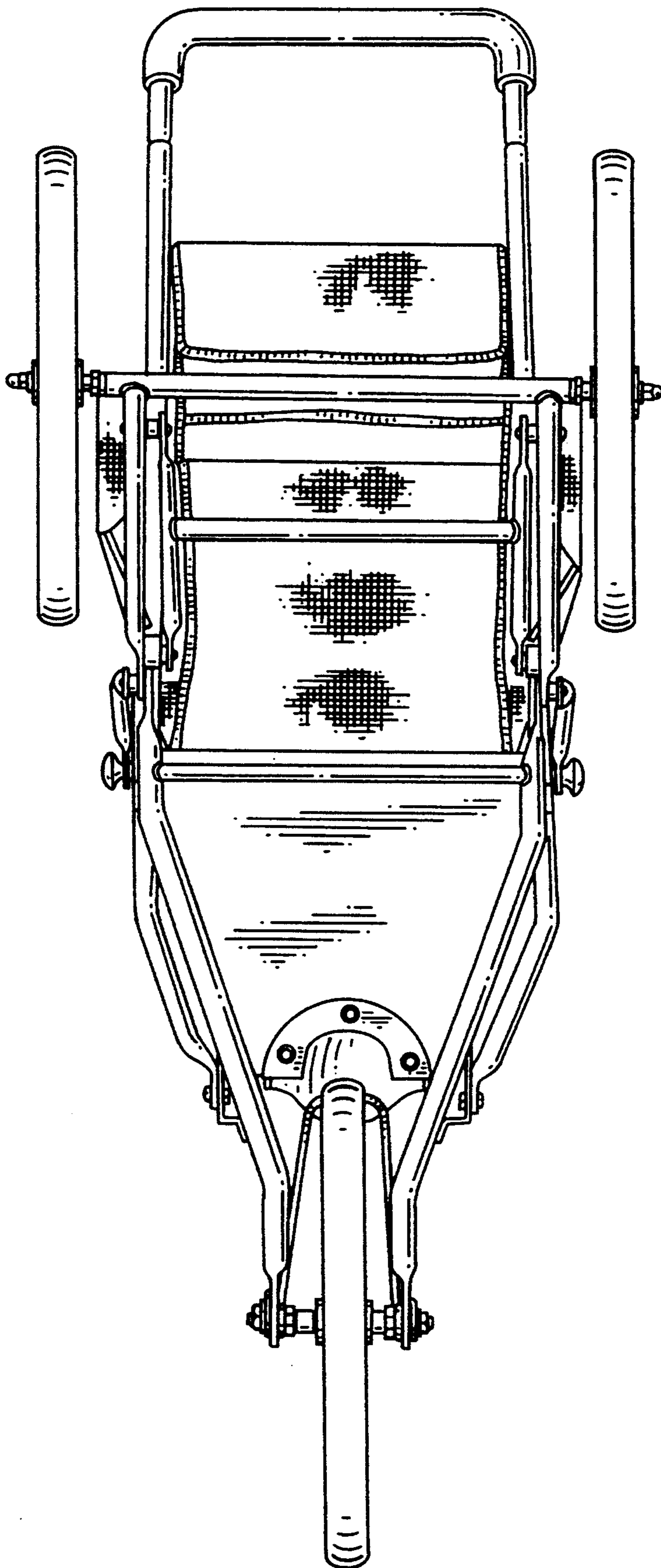


FIG. 5

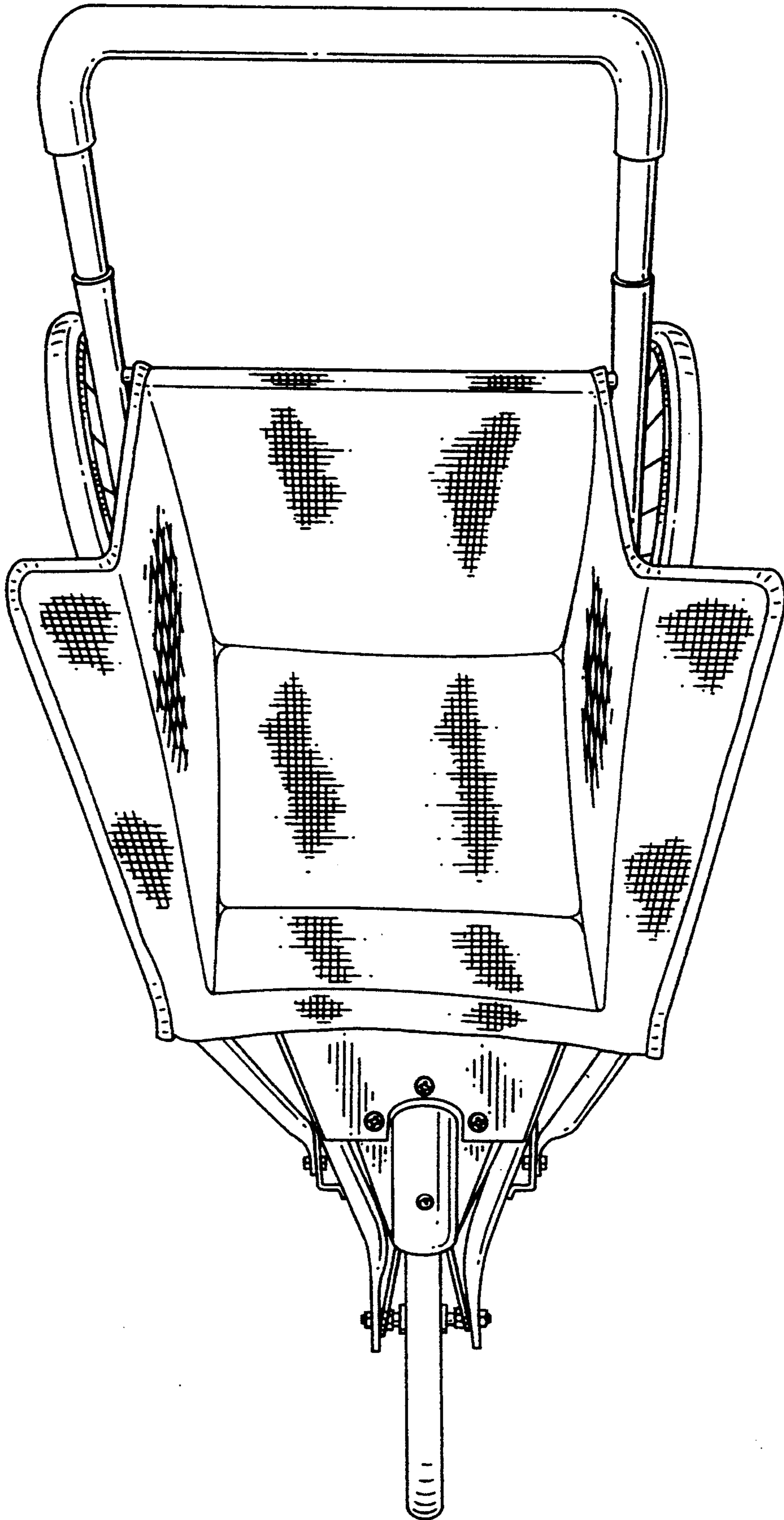


FIG. 6