



US00D350917S

United States Patent [19]

[11] Patent Number: **Des. 350,917**

Rossman et al.

[45] Date of Patent: **** Sep. 27, 1994**

[54] **MULTIPLE OUTLET SURGE PROTECTOR**

[75] Inventors: **Jon R. Rossman**, Chelmsford; **Bryan R. Hotaling**, Arlington, both of Mass.

[73] Assignee: **Curtis Manufacturing Company, Inc.**, Jaffrey, N.H.

[**] Term: **14 Years**

[21] Appl. No.: **5,785**

[22] Filed: **Mar. 12, 1993**

[52] U.S. Cl. **D13/142**

[58] Field of Search 361/59, 91, 111, 119, 361/127; 439/501, 620, 651, 652, 655; D13/137, 139, 142, 143, 160

[56] **References Cited**

U.S. PATENT DOCUMENTS

D. 270,629	9/1983	Drew	D13/142	X
D. 285,065	8/1986	Brobrovniczky	D13/142	
D. 285,435	9/1986	Hoehne	D13/142	
D. 290,835	7/1987	Lovett	D13/142	
4,999,729	3/1991	Stifter	D13/139	X

Primary Examiner—Wallace R. Burke
Assistant Examiner—Joel Sincavage
Attorney, Agent, or Firm—Richard P. Crowley

[57] **CLAIM**

The ornamental design for multiple outlet surge protector, as shown and described.

DESCRIPTION

FIG. 1 is a perspective view from above of the ornamental design of the multiple outlet surge protector of our invention;

FIG. 2 is a top plan view of the invention of FIG. 1;

FIG. 3 is a side plan view of one side of the invention of FIG. 1;

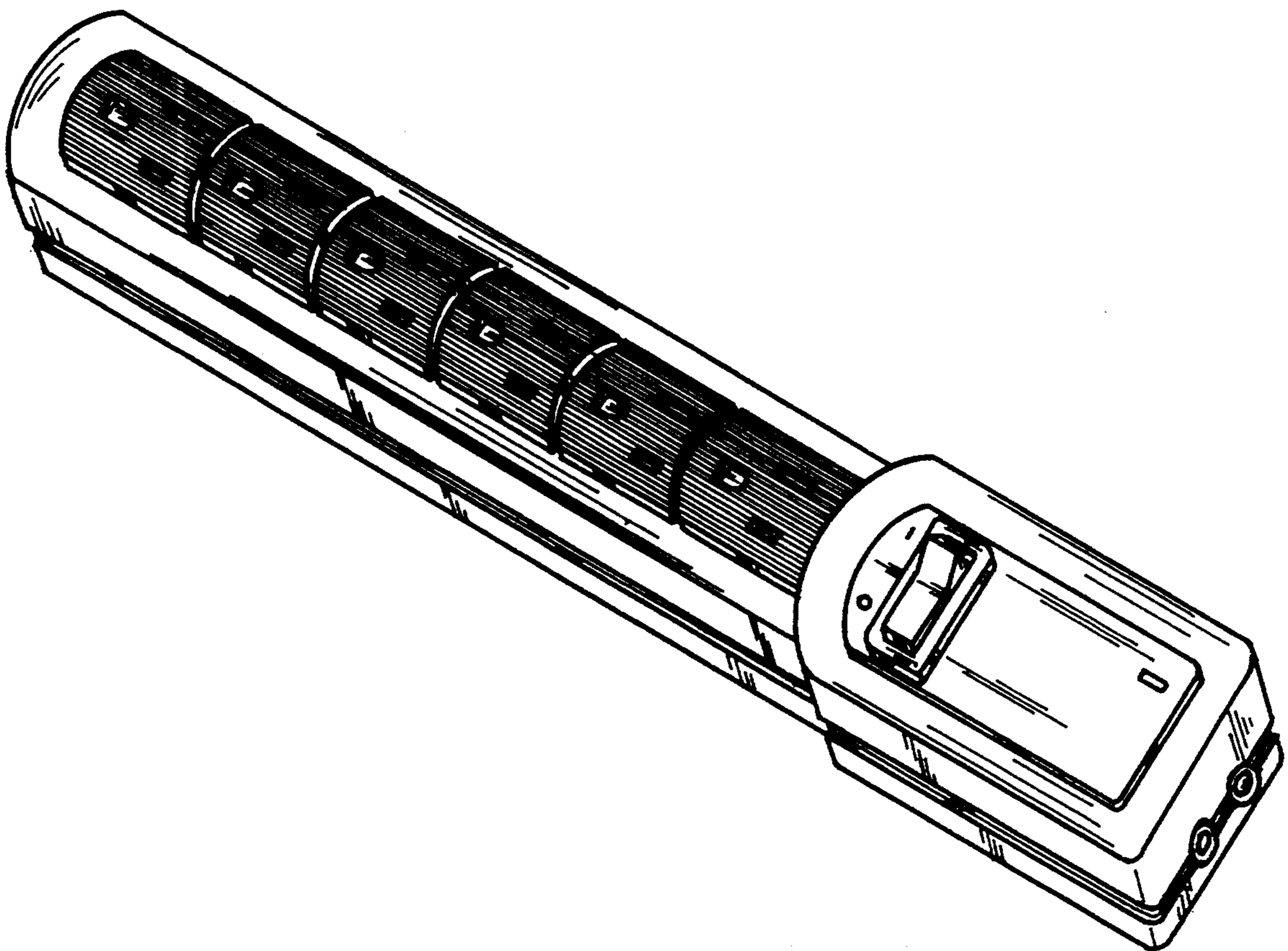
FIG. 4 is a bottom plan view of the invention of FIG. 1;

FIG. 5 is a side plan view of the other side of the invention of FIG. 1;

FIG. 6 is a front plan view of the invention of FIG. 1; and,

FIG. 7 is a back plan view of the invention of FIG. 1.

The dotted line portion of the drawings are for illustrative purposes only and do not form part of the claimed ornamental design of the invention.



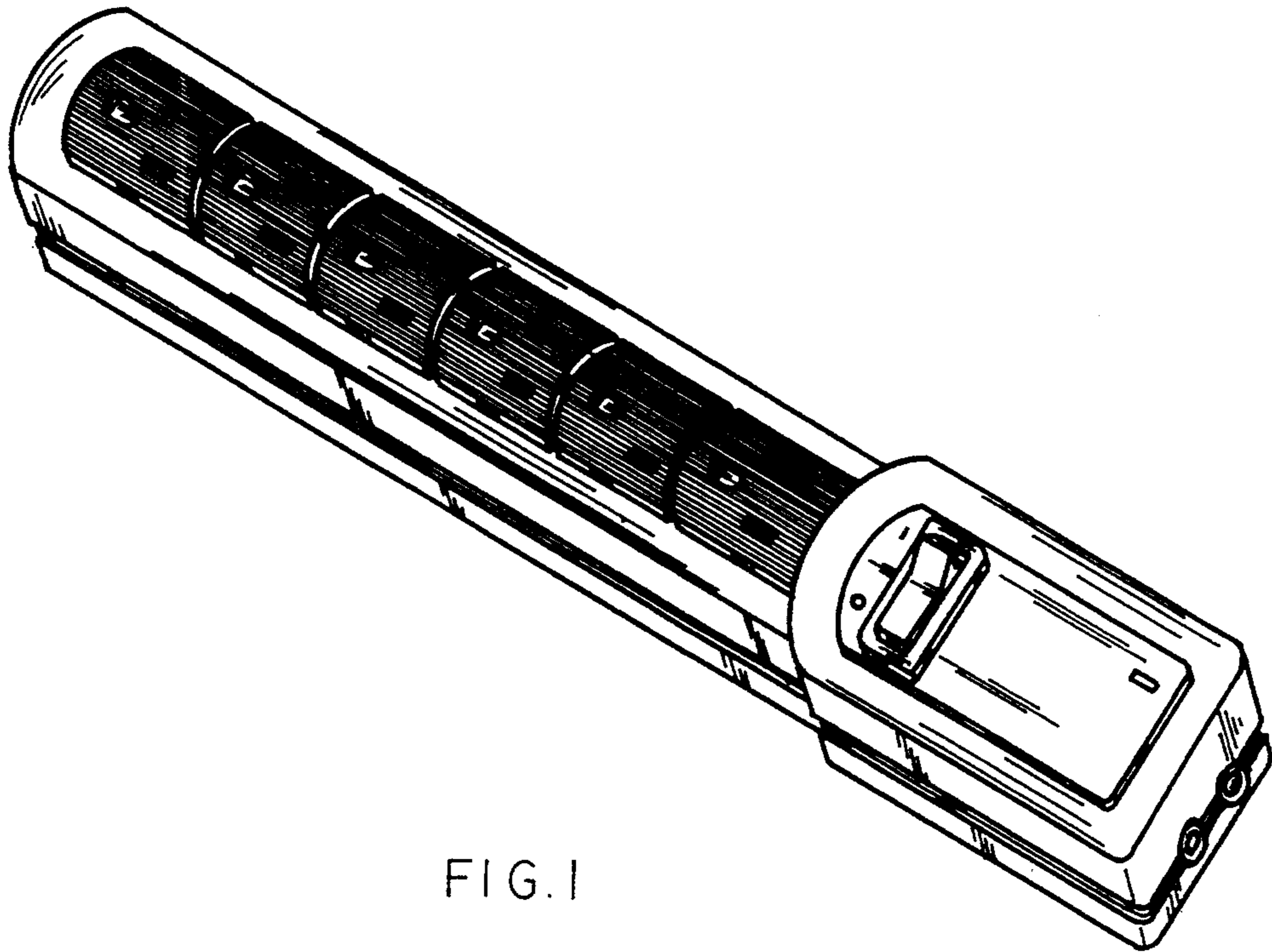


FIG. 1

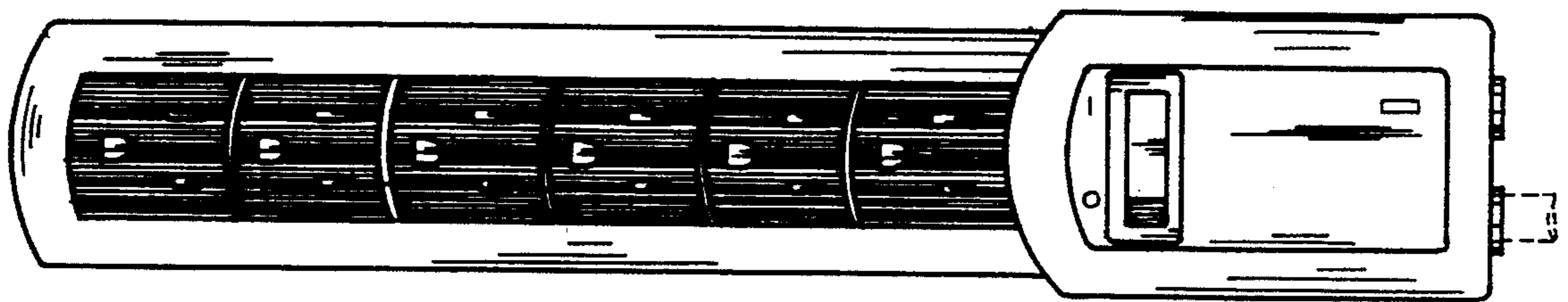


FIG. 2

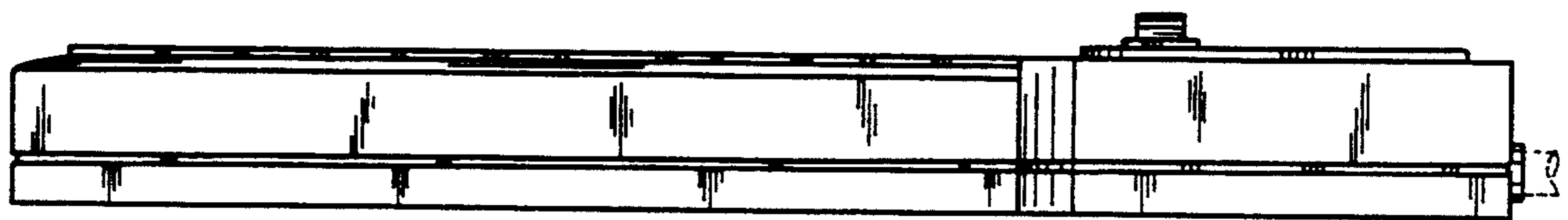


FIG. 3

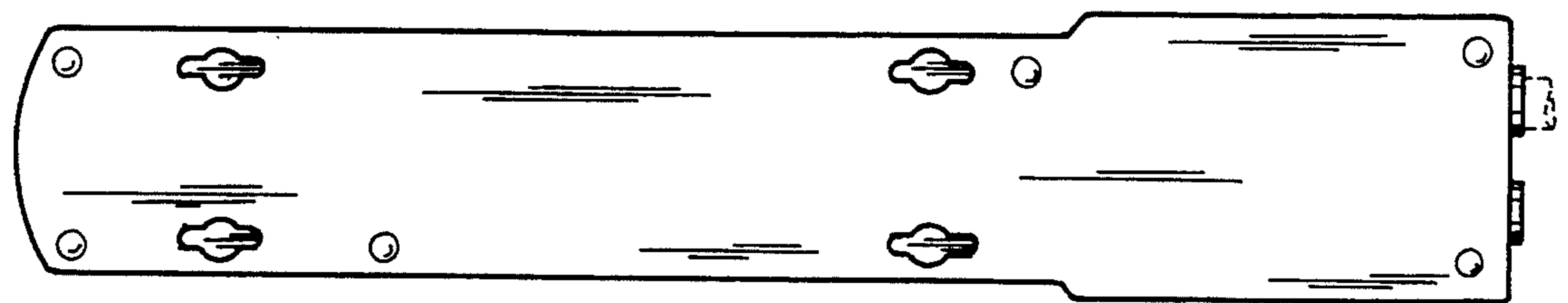


FIG. 4

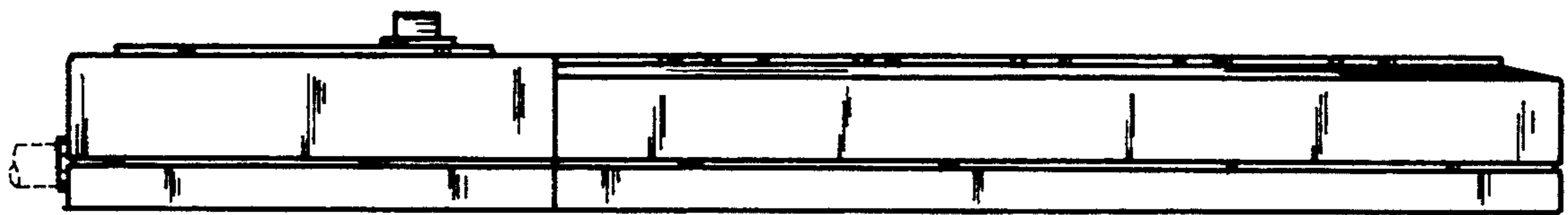


FIG. 5

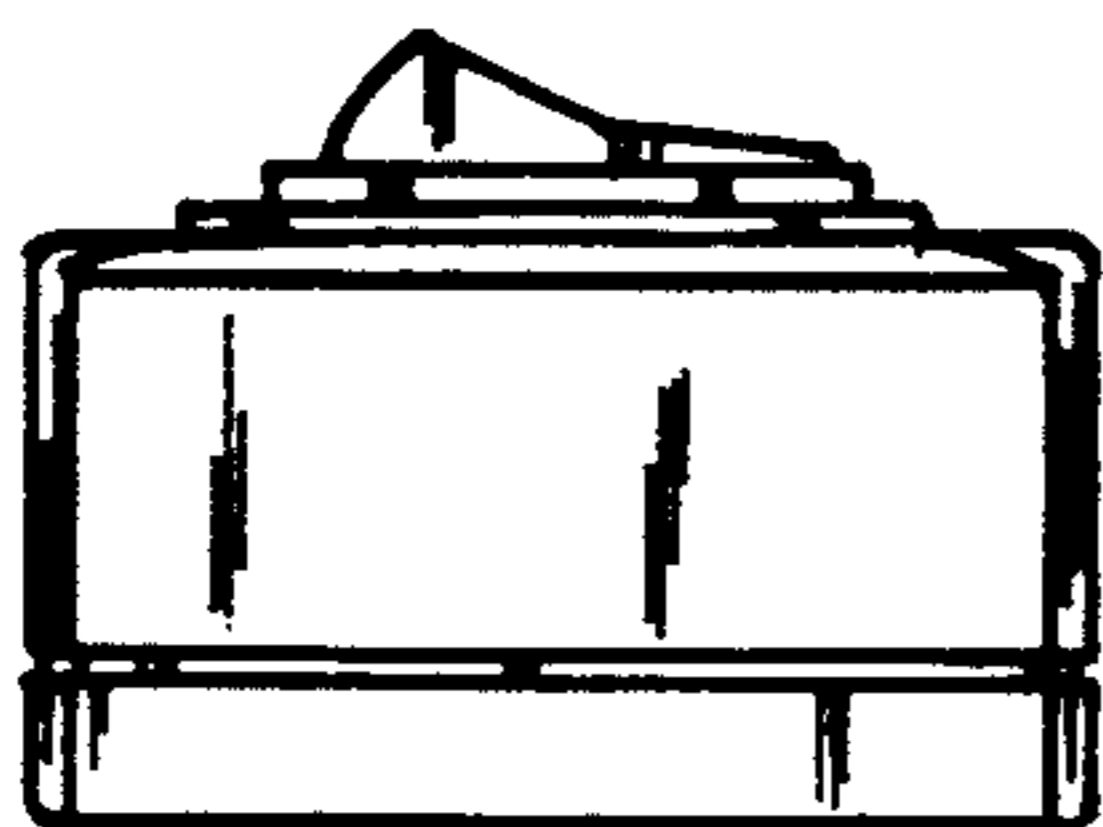


FIG. 6

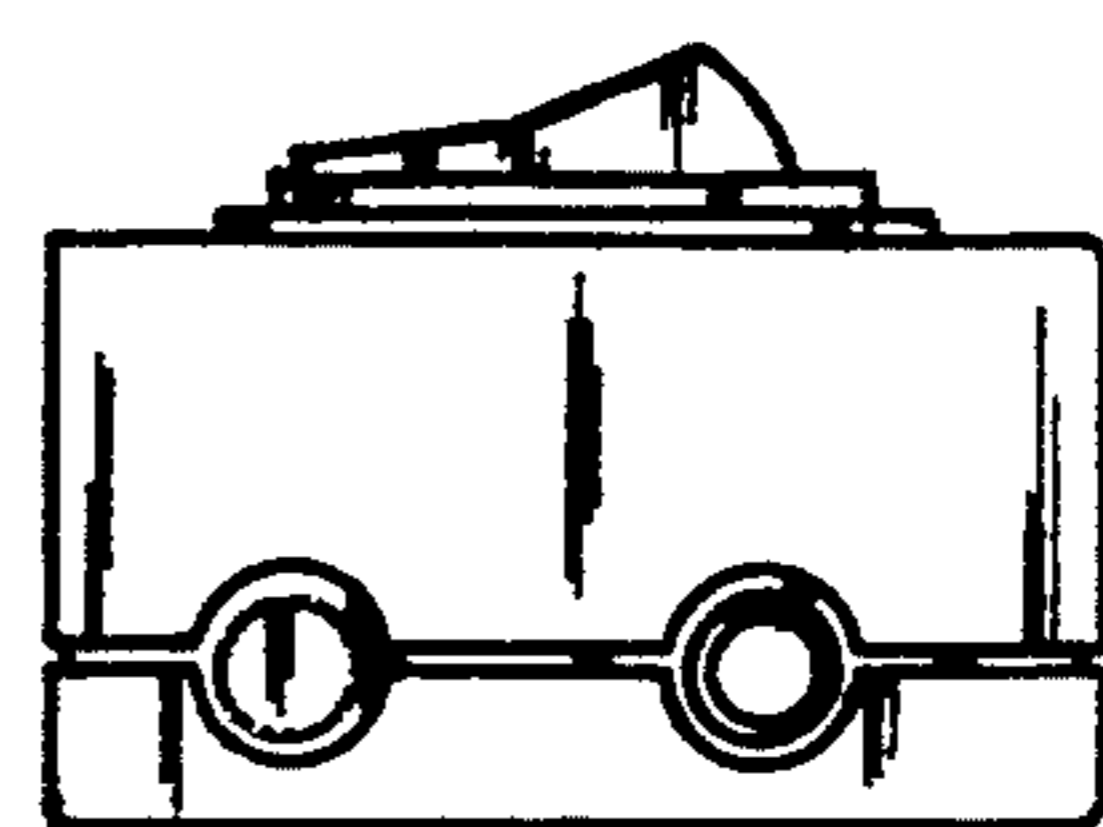


FIG. 7