



US00D350910S

United States Patent [19]

[11] Patent Number: **Des. 350,910**

Cerato

[45] Date of Patent: **** Sep. 27, 1994**

- [54] **BRACELET** 1,106,658 8/1914 Luckweil D11/13
- [75] Inventor: **Silverio Cerato, Mussolente, Italy**
- [73] Assignee: **Silmar S.p.a., Romano d'Ezzelino, Italy**
- [**] Term: **14 Years**
- [21] Appl. No.: **16,025**
- [22] Filed: **Dec. 3, 1993**
- [52] U.S. Cl. **D11/13; D11/18**
- [58] Field of Search 59/78, 80-82,
59/84-94; 63/1.1, 3, 4, 5.1, 5.2, 6, 7-11;
224/171, 173, 175, 178; D11/1-25, 93-94;
D10/30-32

OTHER PUBLICATIONS

Ross-Simons Winter II 1990 Catalog, Item 7K center of page 7.

Primary Examiner—Ralf T. Seifert
Attorney, Agent, or Firm—Bucknam and Archer

[57] CLAIM

The ornamental design for a bracelet, as shown and described.

DESCRIPTION

FIG. 1 is a perspective view of the bracelet according to my invention;

FIG. 2 is a top plan view of the bracelet;

FIG. 3 is a bottom plan view;

FIG. 4 is a left side view, the right side being symmetrical; and,

FIG. 5 is an end view.

FIGS. 1 through 4 are fragmented views with the remainder of the bracelet being omitted for ease of illustration, it being understood that the broken lines indicate the chain continues uniformly for an indeterminate length.

[56] References Cited

U.S. PATENT DOCUMENTS

- | | | | | |
|------------|---------|------------|-------|----------|
| D. 42,532 | 5/1912 | Bigney | | D11/20 X |
| D. 334,723 | 4/1993 | Bichi | | D11/13 |
| D. 334,724 | 4/1993 | Bichi | | D11/13 |
| 266,278 | 10/1882 | Edge | | 59/83 |
| 416,259 | 12/1889 | Edge | | 59/83 |
| 904,846 | 11/1908 | Costello | | D11/83 X |
| 1,081,011 | 12/1913 | Brewington | | 59/78 |

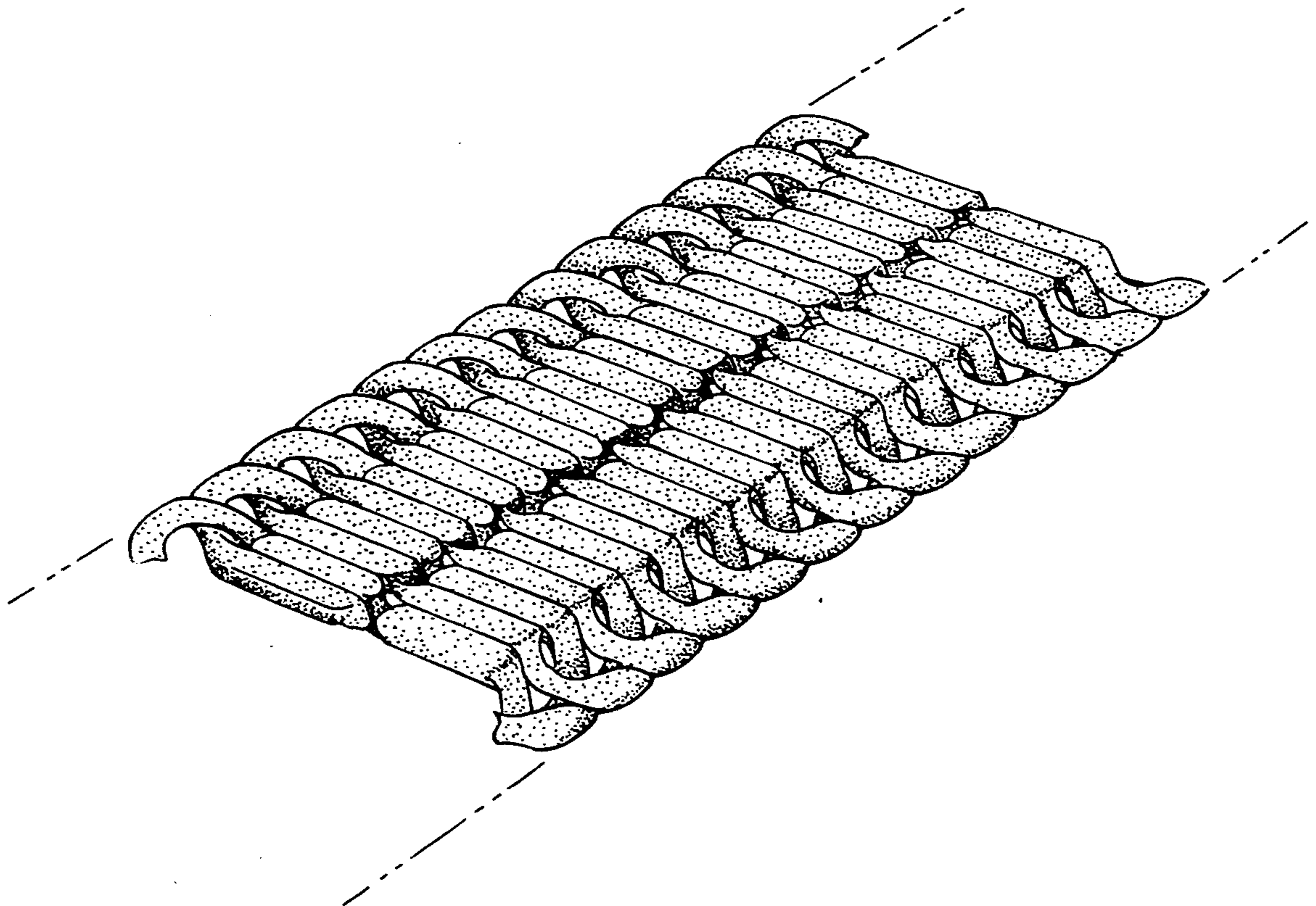


FIG. 1

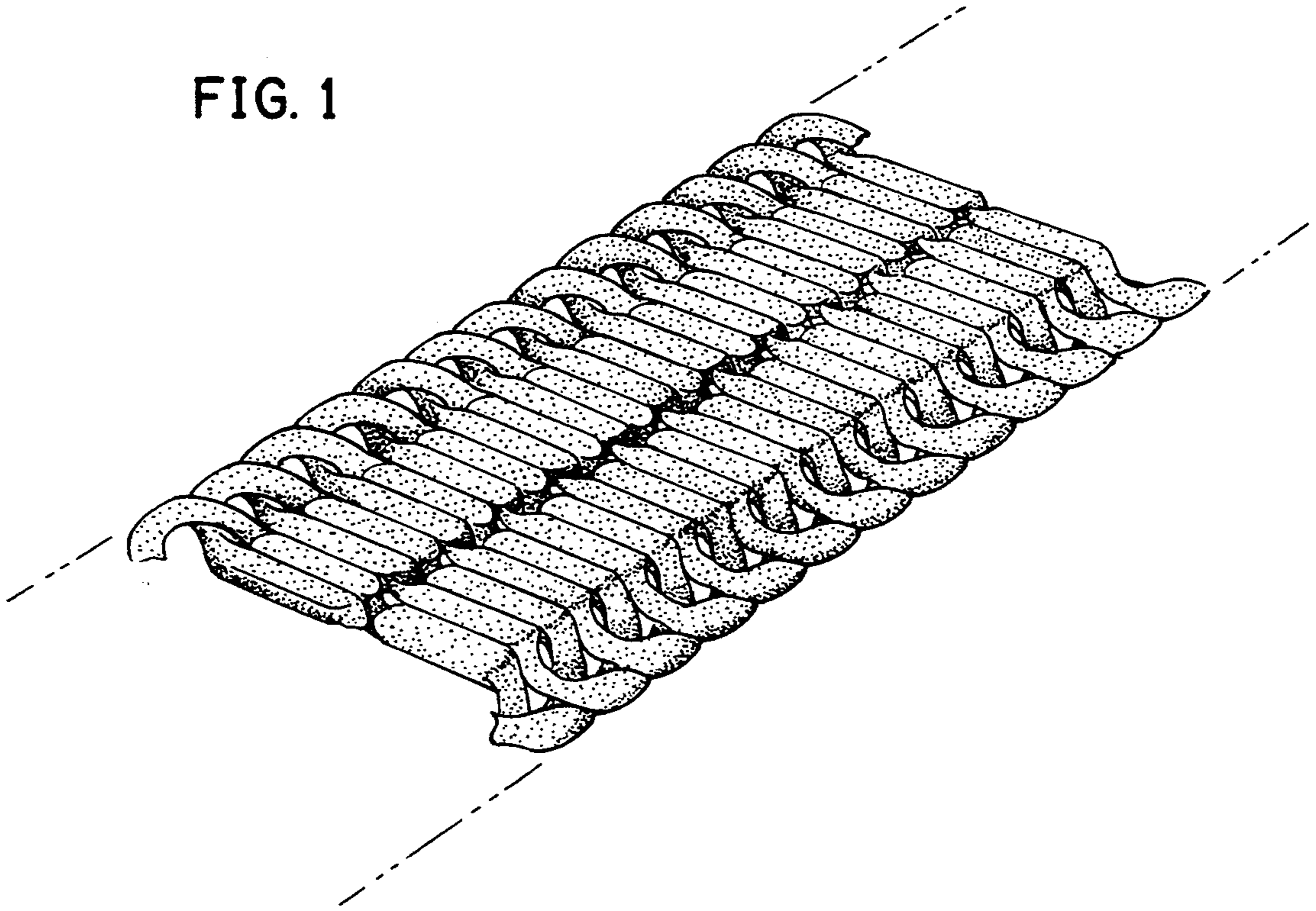


FIG. 2

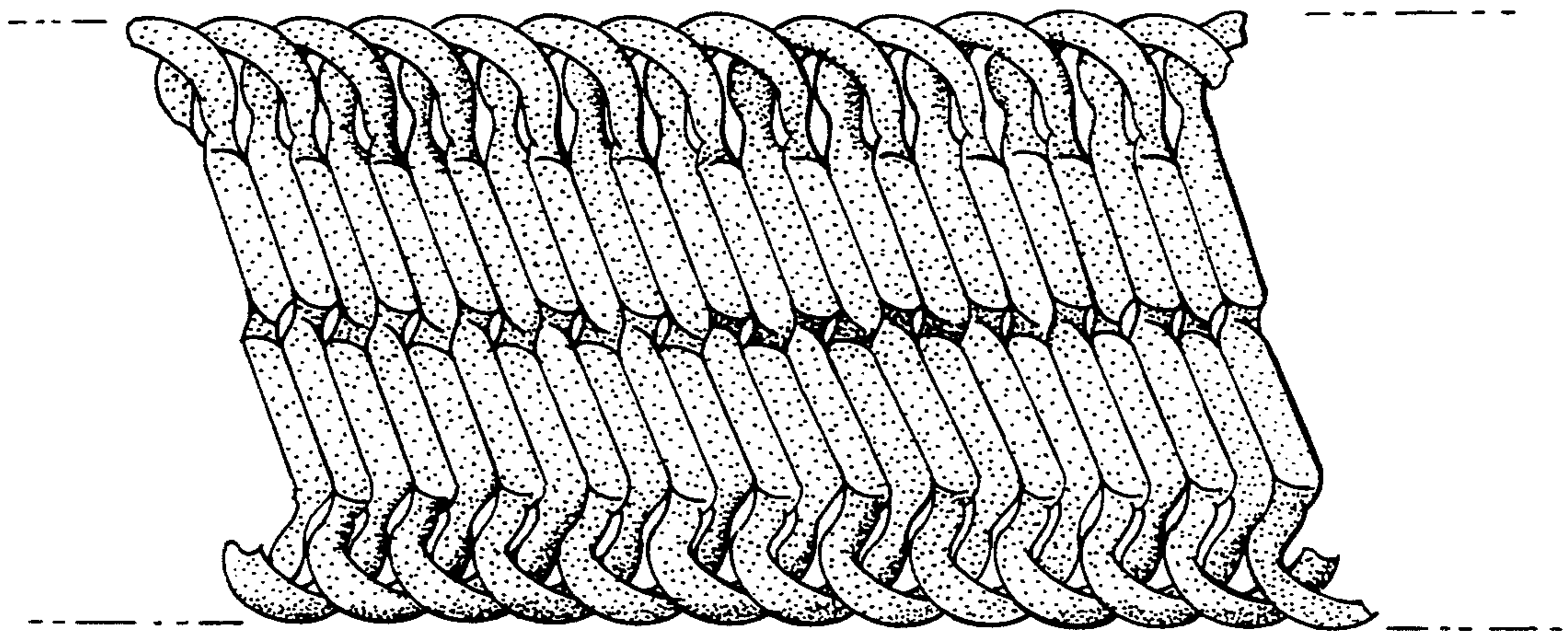


FIG. 3

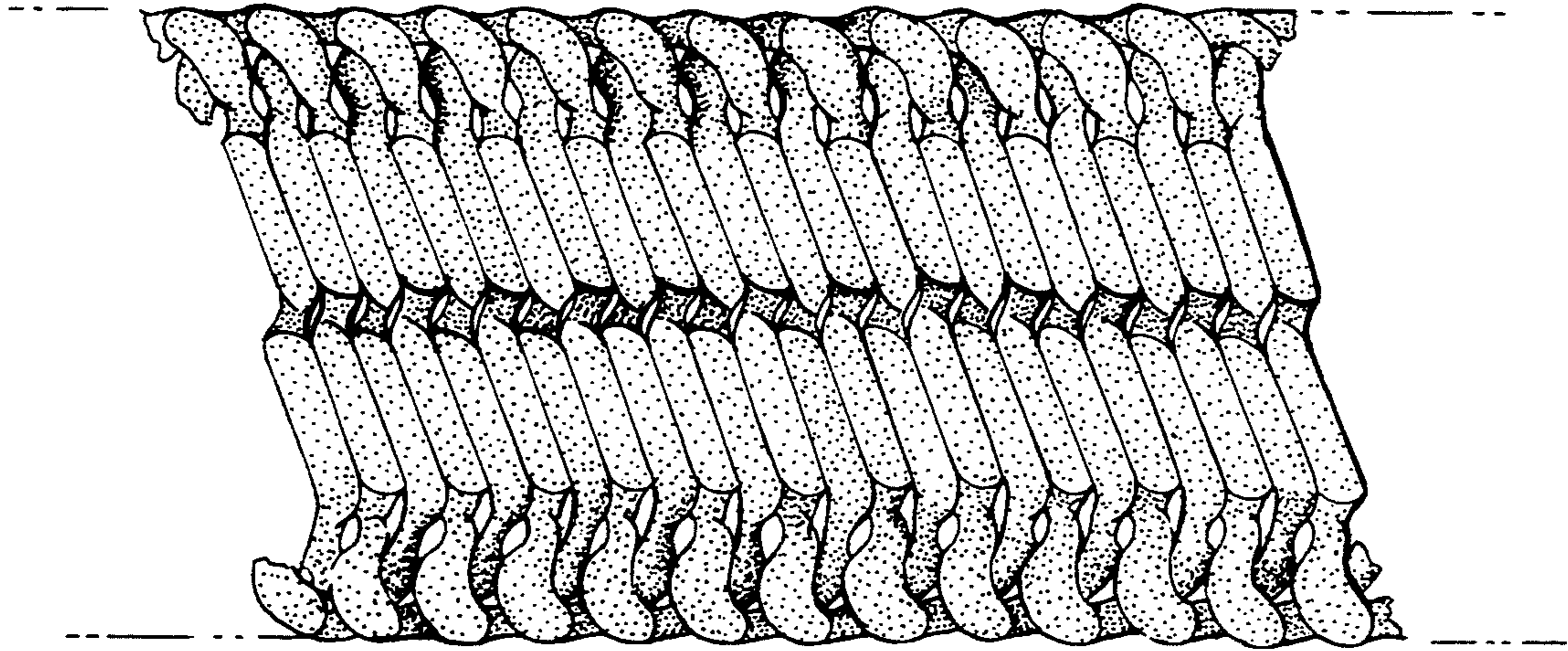


FIG. 4



FIG. 5

