



US00D350908S

United States Patent [19]

Tamez

[11] Patent Number: **Des. 350,908**

[45] Date of Patent: **** Sep. 27, 1994**

[54] WHISTLE

[76] Inventor: **Elias Tamez**, P.O. Box 532, Mabton, Wash. 98935

[**] Term: **14 Years**

[21] Appl. No.: **18,745**

[22] Filed: **Feb. 14, 1994**

[52] U.S. Cl. **D10/119**

[58] Field of Search 446/200, 201, 202, 203, 446/204, 205, 206, 207, 208, 209, 210, 211, 212, 213, 214, 215, 216, 217, 218; 116/137 R; D10/104, 116, 118, 119, 121

D. 334,598	4/1993	Burgess	D20/40
1,748,460	2/1930	Petrie	D10/119
1,867,903	7/1932	Wilcox	D10/119
4,821,670	4/1989	Foxcroft	116/137
5,086,726	2/1992	Sharp	116/137

Primary Examiner—Wallace R. Burke

Assistant Examiner—Marcus Jackson

Attorney, Agent, or Firm—Marger, Johnson, McCollom & Stolowitz

[57] CLAIM

The ornamental design for a whistle, as shown and described.

DESCRIPTION

FIG. 1 is a side elevational view of whistle, showing my new design, the opposite side being substantially a mirror image thereof;

FIG. 2 is a front elevational view thereof;

FIG. 3 is a rear elevational view thereof;

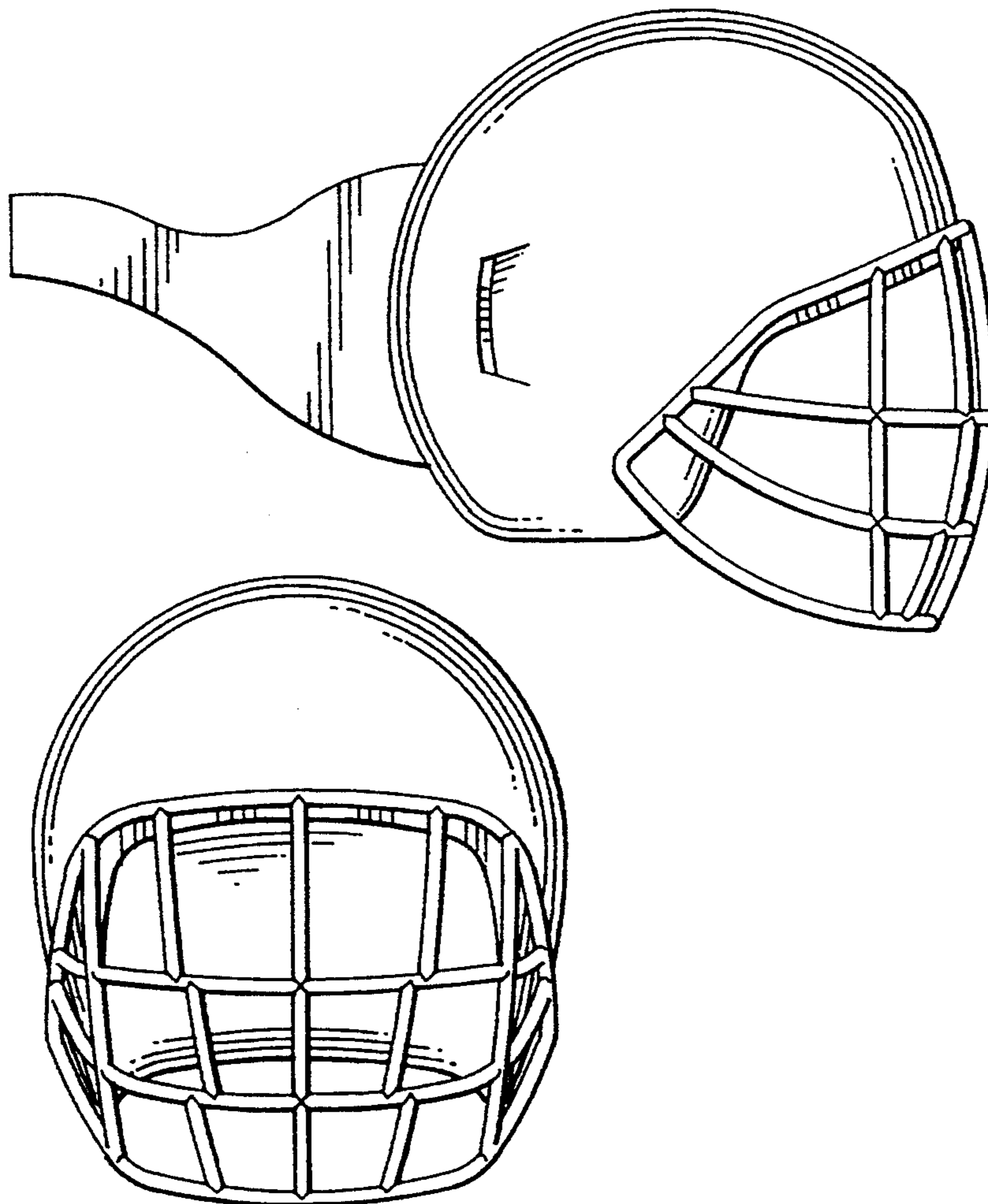
FIG. 4 is a top plan view thereof; and,

FIG. 5 is a bottom plan view thereof.

[56] References Cited

U.S. PATENT DOCUMENTS

D. 76,516	10/1928	Zisch	D10/119
D. 96,272	7/1935	Neill	D10/119
D. 102,543	12/1936	Butterfield	D10/119
D. 266,407	10/1982	Nagel	D10/119
D. 292,779	11/1982	Bayly	D10/119



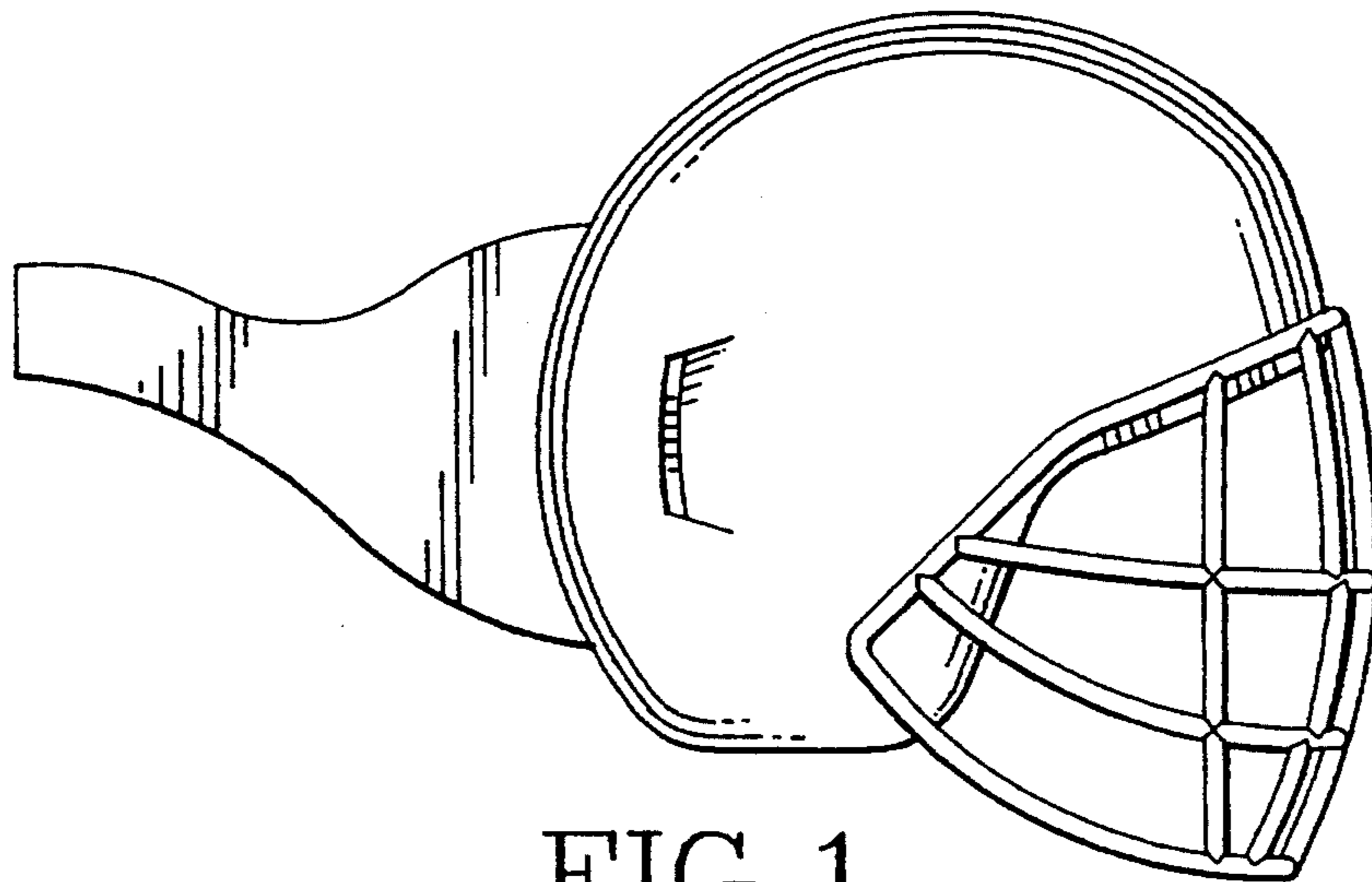


FIG. 1

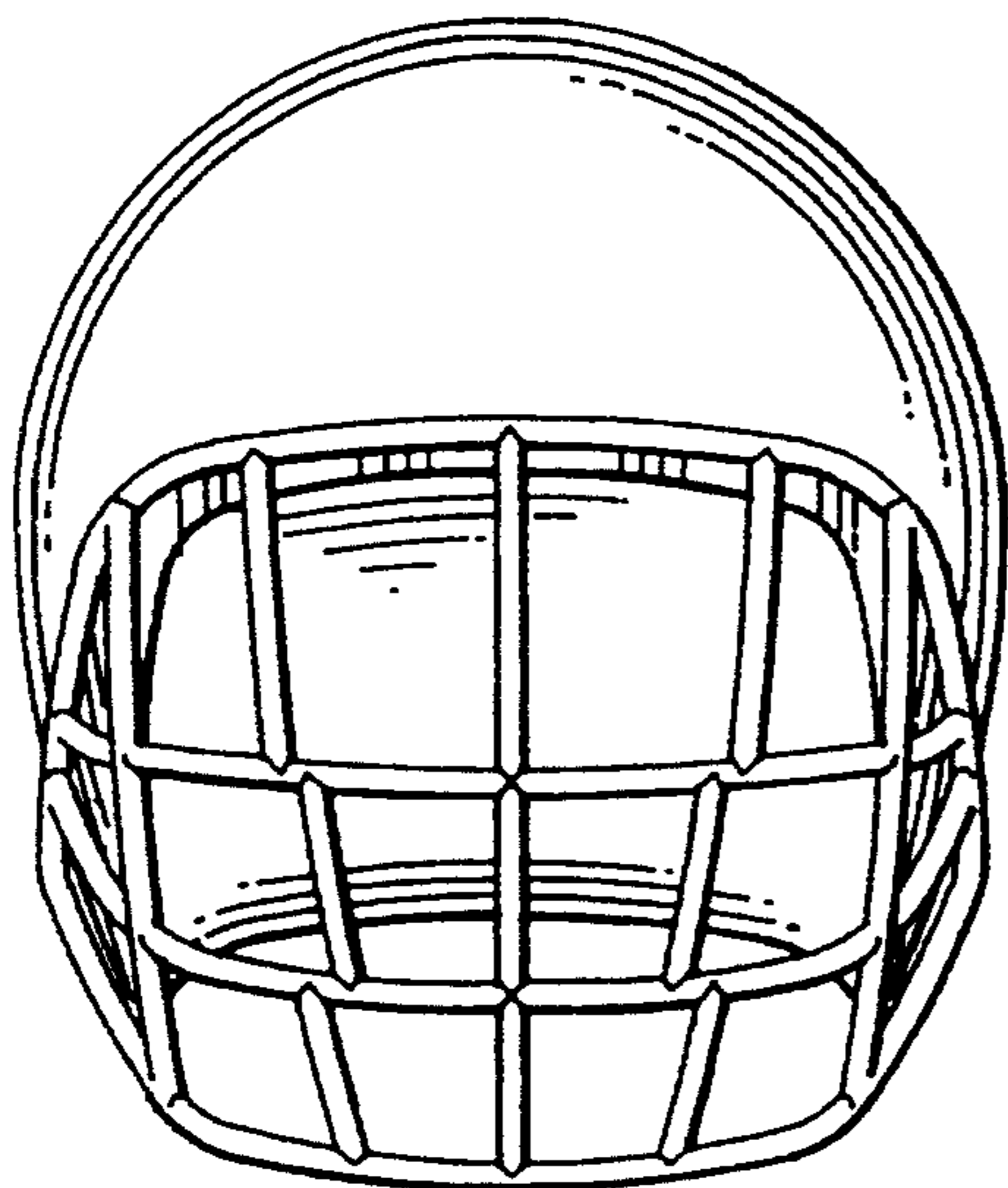


FIG. 2

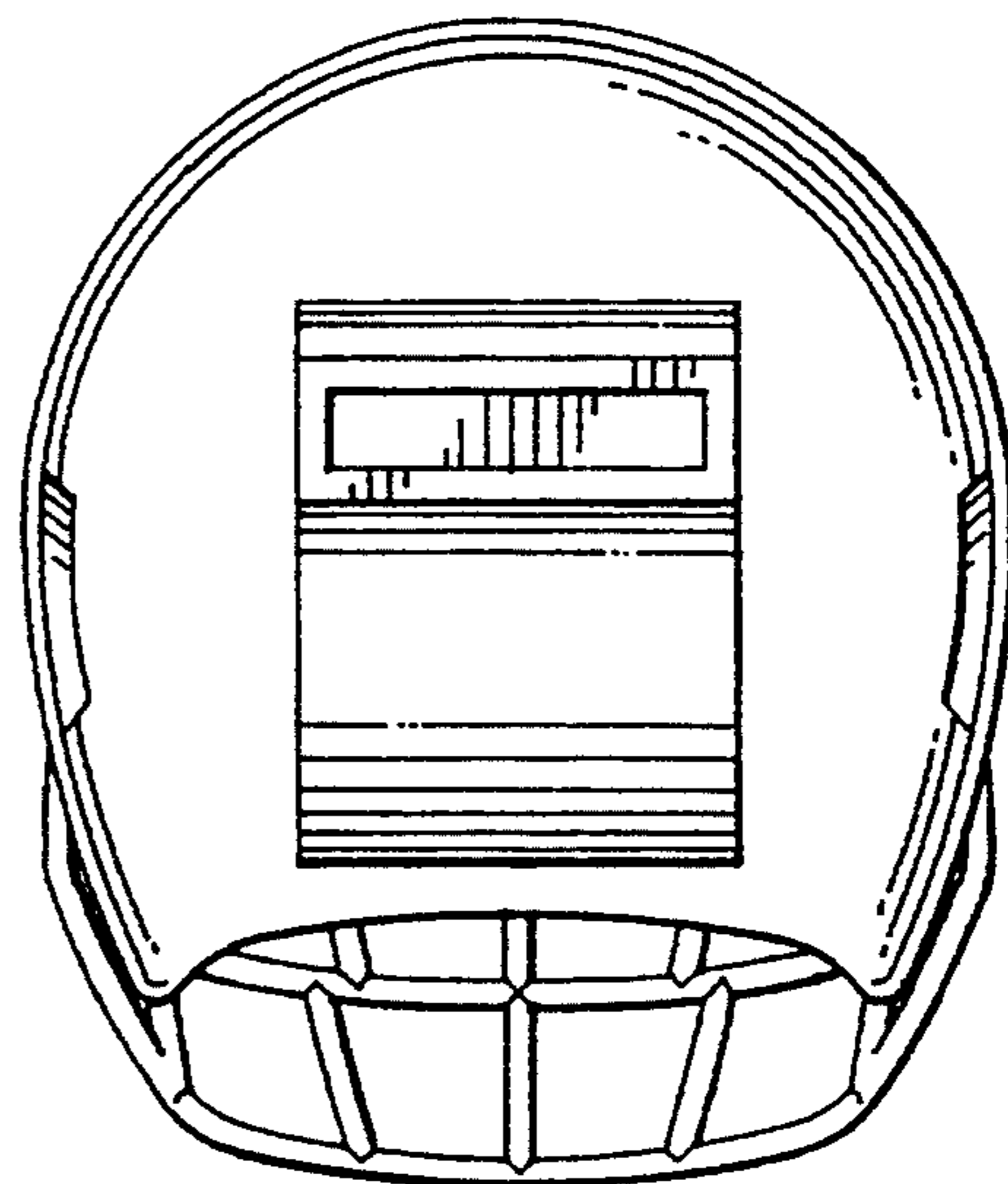


FIG. 3

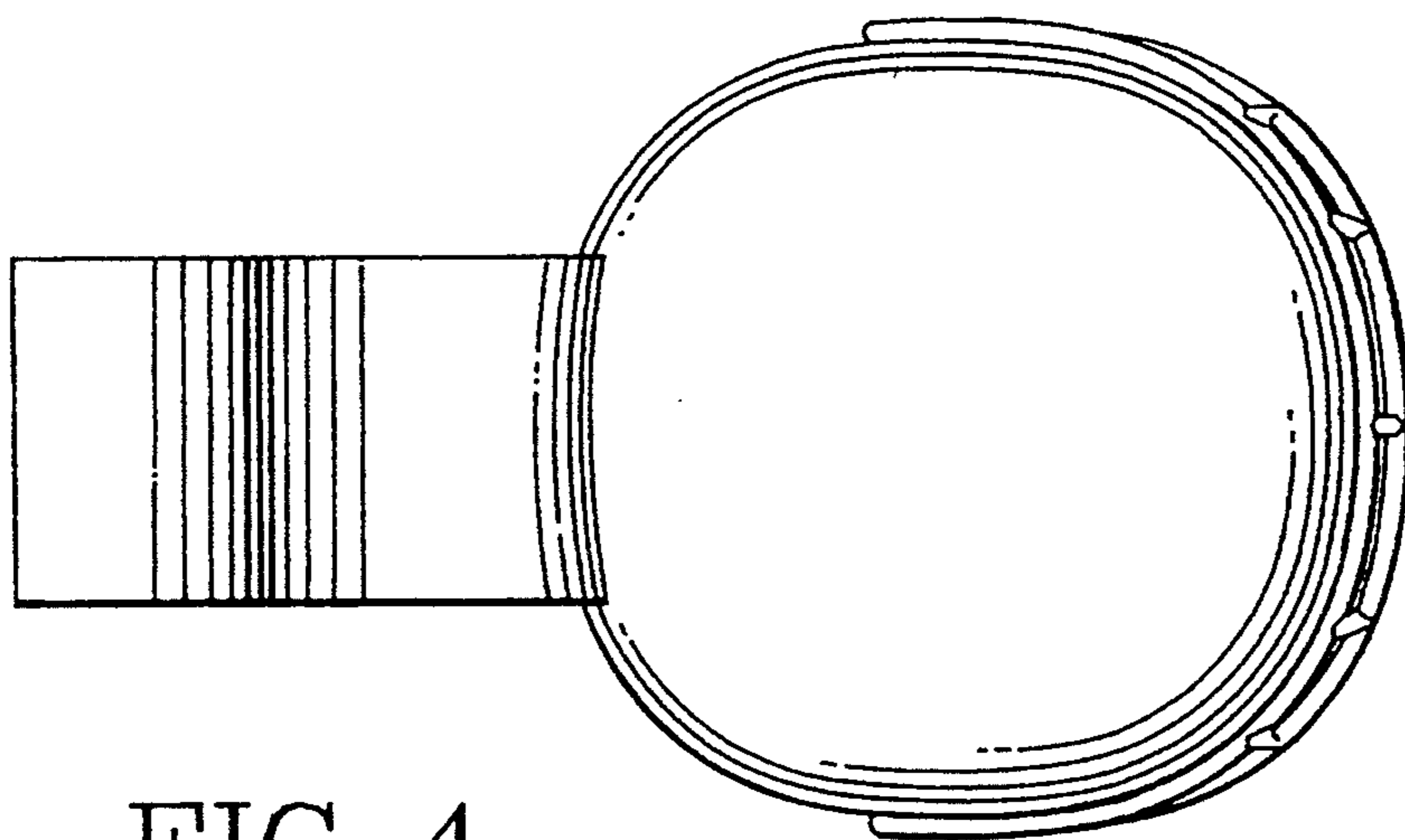


FIG. 4

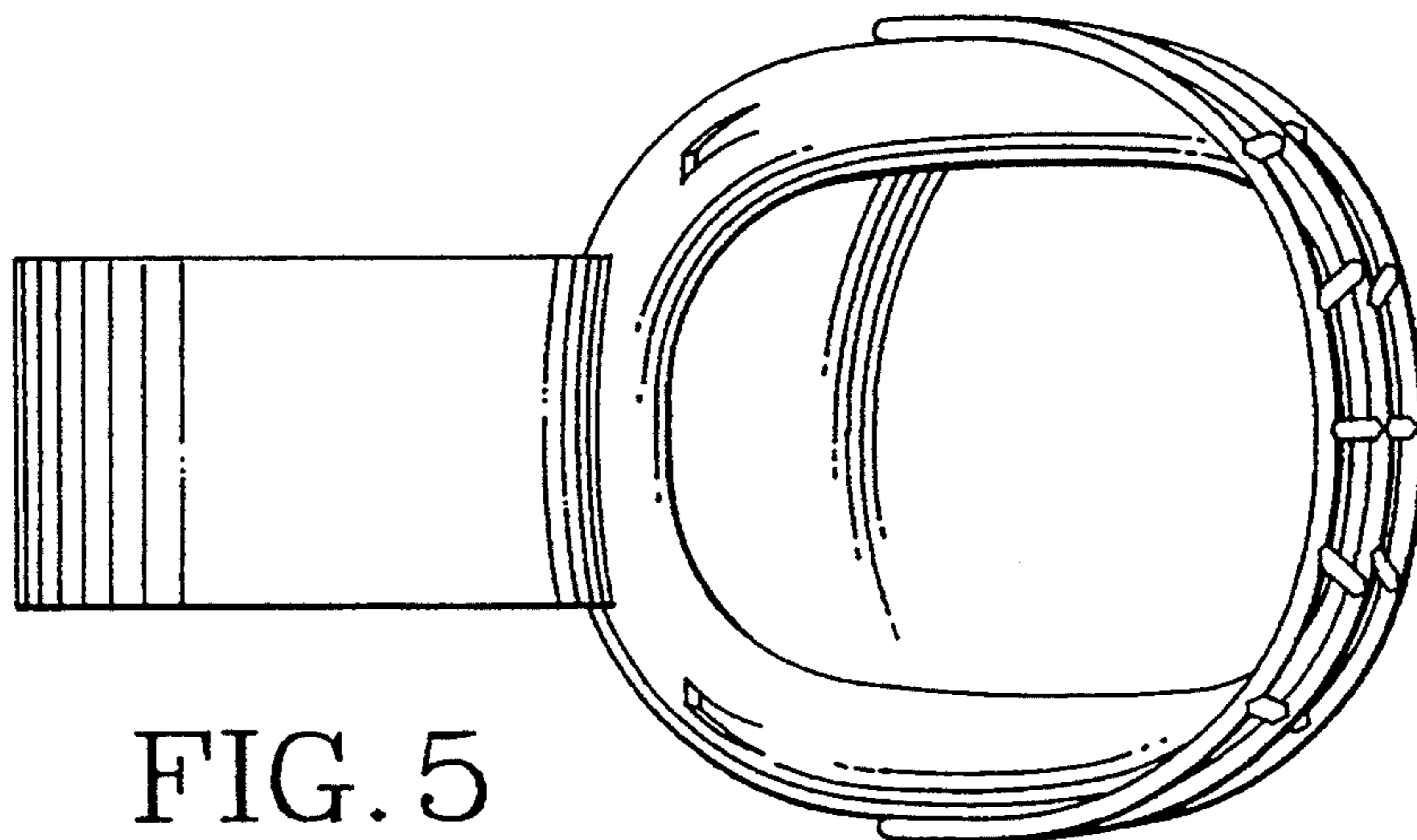


FIG. 5